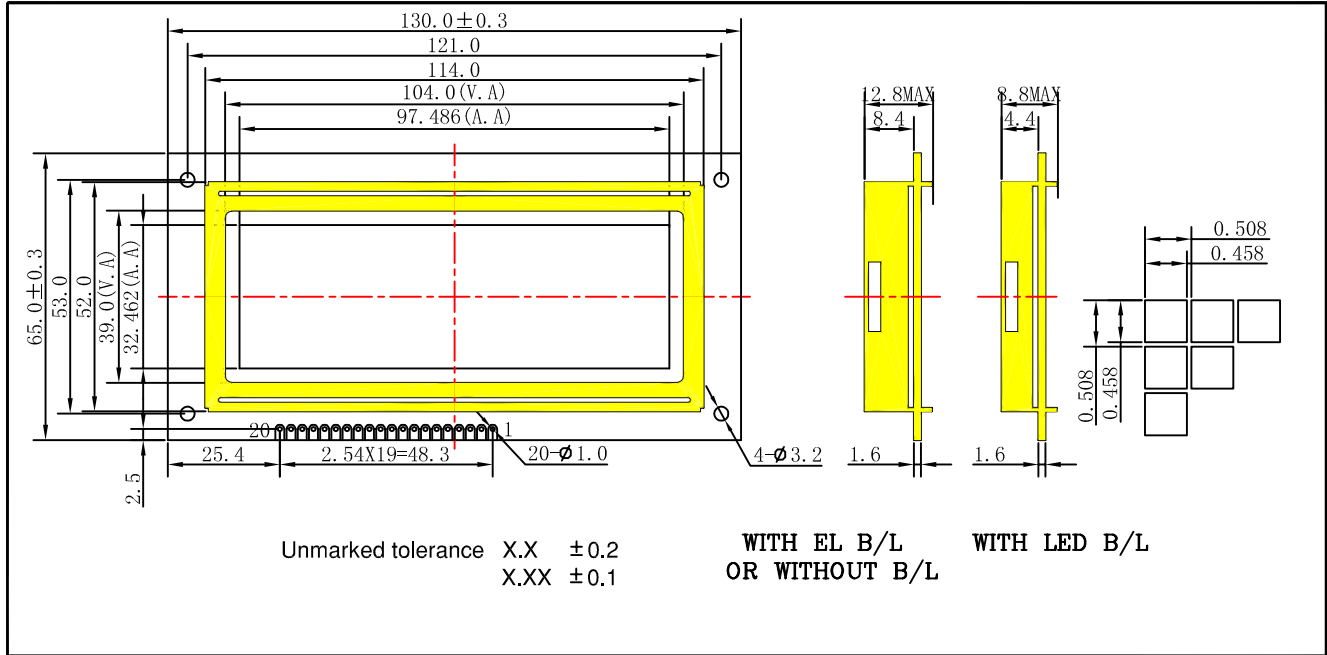
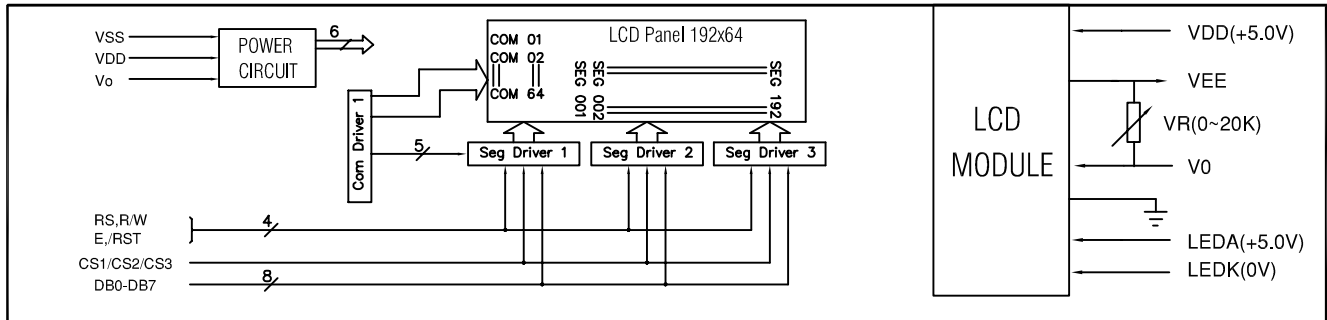


OUTLINE DIMENSIONS



BLOCK DIAGRAM & POWER SUPPLY



MECHANICAL SPECIFICATIONS & FEATURE

Item	Normal Dimensions(mm)	FEATURE	
Module Size (W*H*T)	130.0x65.0x8.8/12.8	LCD Type	STN、FSTN
View Area (W*H)	104.0x39.0	LCD Colour	STN:Yellow-Green、Gray FSTN:Gray
DotsXDots (W*H)	192x64	View Angle	6 O'clock、12 O'clock
Dot Pitch (W*H)	0.508x0.508	Display Type	Positive Type、Negative Type
Dot Size (W*H)	0.458x0.458	Rear polarizer	Transmissive、Reflective、Transflective
---	---	Operating Temperature	0°C ~ 50°C、-20°C ~ 70°C
---	---	Backlight	LED:Yellow EL:Green、Blue-Green、Blue Without

ELECTRICAL CHARACTERISTICS

Item	Symbol	Test Condition	Min.	Typ.	Max.	Unit
Operating Voltage	Vdd	Ta=25° C	---	5.0	---	V
Operating Voltage for LCD	Vlcd	Ta=25° C	---	10.5	---	V
Supply Current	Idd	Ta=25° C, Vdd=5.0V	---	2.0	3.0	mA
Supply Current for Backlight(LED)	If	Ta=25° C, Vf=4.2V	---	300	---	mA

INTERFACE PIN CONNECTIONS

Pin No	Symbol	Level	Description
1	VSS	--	Ground for Logic
2	VDD	--	Power supply for Logic(+5.0V)
3	Vo	--	Power supply for LCD drive
4	RS	H/L	Register selection (H:Data register, L:Instruction register)
5	R/W	H/L	Read/write selection (H:Read,L:Write)
6	E	H/H—L	Enable signal for LCM
7-14	DB0-DB7	H/L	Data Bus lines
15	/CS1	L	Chip select signal for left part of the panel
16	/RST	L	Reset signal
17	/CS2	L	Chip select signal for middle part of the panel
18	/CS3	L	Chip select signal for right part of the panel
19	VEE	--	Negative voltage output
20	LED+	--	Power supply for Backlight(+)

REMARK

Operating voltage option: 5.0V or 3.0V
Negative type LCD colour: Blue