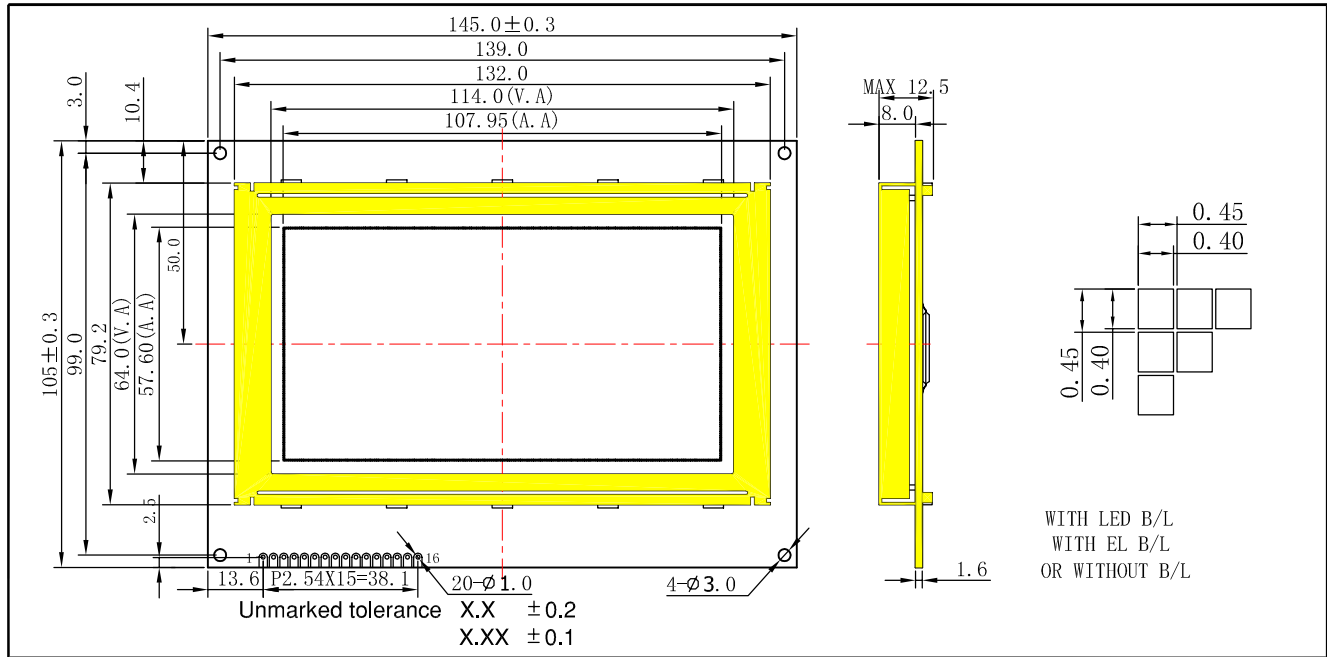


AV-DISPLAY

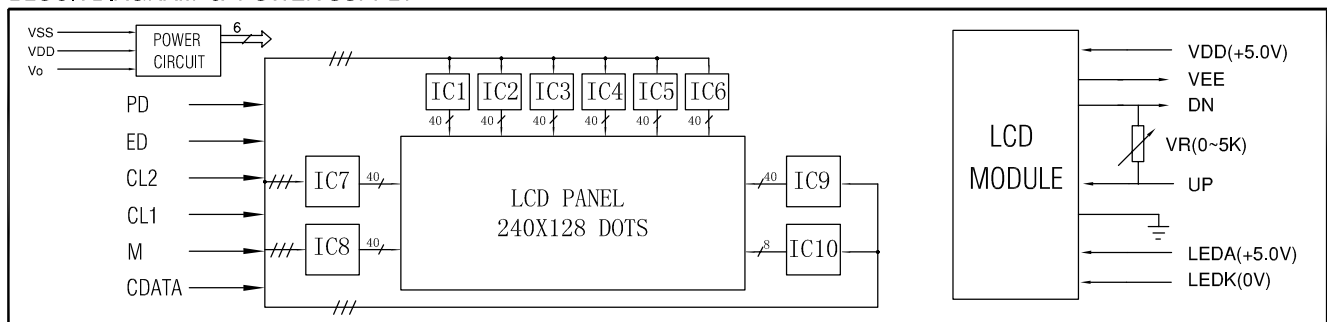
HY-240128H Series

240x128 DOTS
1/128 DUTY, 1/12 BIAS

OUTLINE DIMENSIONS



BLOCK DIAGRAM & POWER SUPPLY



MECHANICAL SPECIFICATIONS & FEATURE

Item	Normal Dimensions(mm)	FEATURE	
Module Size (W*H*T)	145.0x105.0x12.5	LCD Type	STN、FSTN
View Area (W*H)	114.0x64.0	LCD Colour	STN:Yellow-Green、Gray FSTN:Gray
DotsxDots (W*H)	240x128	View Angle	6 O'clock、12 O'clock
Dot Pitch (W*H)	0.45x0.45	Display Type	Positive Type、Negative Type
Dot Size (W*H)	0.40x0.40	Rear polarizer	Transmissive、Reflective、Transflective
--	--	Operating Temperature	0°C ~ 50°C、-20°C ~ 70°C
--	--	Backlight	LED:YELLOW EL:Green、Blue-Green、Blue Without

ELECTRICAL CHARACTERISTICS

Item	Symbol	Test Condition	Min.	Typ.	Max.	Unit
Operating Voltage	Vdd	Ta=25°C	---	5.0	---	V
Operating Voltage for LCD	Vlcd	Ta=25°C	---	13.0	---	V
Supply Current	Idd	Ta=25°C, Vdd=5.0V	---	20	30	mA
Supply Current for Backlight(LED)	If	Ta=25°C, Vf=4.2V	---	220	---	mA

INTERFACE PIN CONNECTIONS

Pin No	Symbol	Level	Description
1	DN	--	Voltage level for LCD contrast adjustment
2	UP	--	Voltage level for LCD contrast adjustment
3	PD	H/L	Chip enable signal (H:Normal,L:Stop the oscillation of the clock)
4	VSS	--	Ground for Logic
5	VDD	--	Power supply for Logic(+5.0V)
6	VEE	--	Negative voltage output
7	ED	H/L	Display data
8	CL2	--	Data shift clock pulse
9	CL1	--	Data latch pulse
10	M	H/L	Alternate signal
11	CDATA	H/L	Scan start pulse
12-14	NC	--	No connection
15	LEDA	--	Power supply for backlight(+)
16	LEDK	--	Power supply for backlight(-)

REMARK

Negative type LCD colour: Blue