

# HY-606MD/HY-606MA

## 4 tones melody buzzer

- 4 tones of melody selectable
- Compact, light weight, high capacity tones
- Low power consumption and long life expectancy
- Simple installation structure due to the panel installation type



### ●● Suffix code

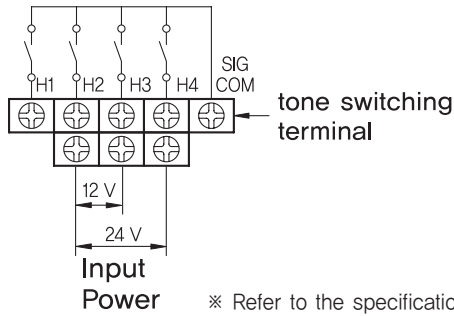
Model	Code	Description
HY-606	<input type="checkbox"/>	4 tones melody buzzer
Power supply voltage	MD	12 - 24 V d.c
	MA	110 - 240 V a.c

### ●● Specification

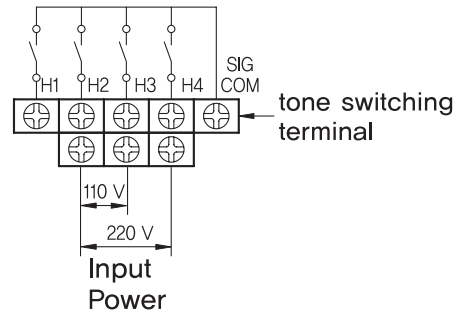
Model	HY-606MD	HY-606MA
Power supply voltage	12 - 24 V d.c	110 - 240 V a.c
Power frequency	-	50/60 Hz (Dual usage)
Power consumption	Approx 2.5 W	
Decibel	98 dB Max.	
Installation hole	Ø66 panel cutout	
Tone types	H1	Fire
	H2	Ambulance
	H3	Police
	H4	Music (For Elise)

## ●● Wiring diagram

### ■ HY-606MD (d.c)



### ■ HY-606MA (a.c)

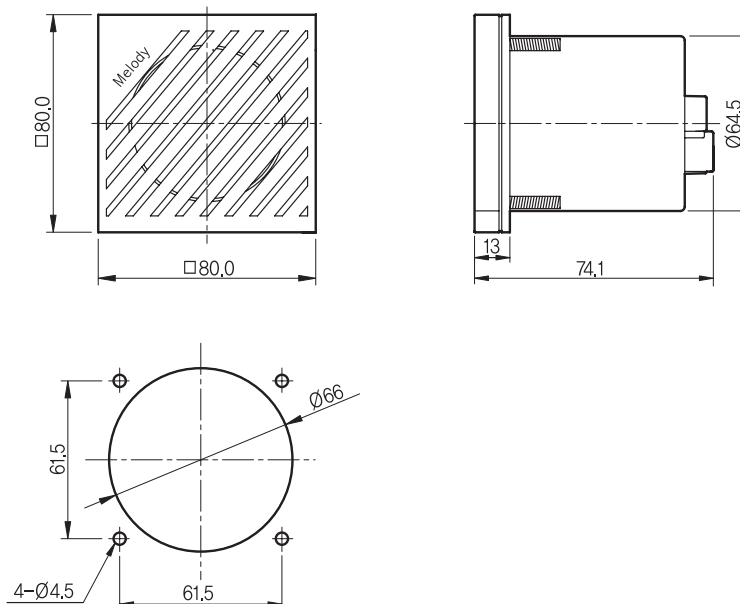


※ Refer to the specification for melodies type (H1~H4)

## ●● Precautions

- Do not supply any voltage into the tone switching terminal. Doing so may damage the product.
- When wiring to the terminal, please use the crimp-type terminal less than  $\varnothing 6.0$  (outer diameter) and more than  $\varnothing 3.1$  (inner diameter).
- Supply the power after confirming the correct wiring.

## ●● Dimension and panel cutout (unit : mm)



Control switch  
Combination display light

Power switch  
Main switch  
Cam switch

Limit switch  
Micro switch

Hoist switch  
Foot switch  
Mono layer switch

Sign tower  
Signal light

Buzzer  
Terminal block  
Fuse holder

Control box  
Cable connector

Discontinued Products