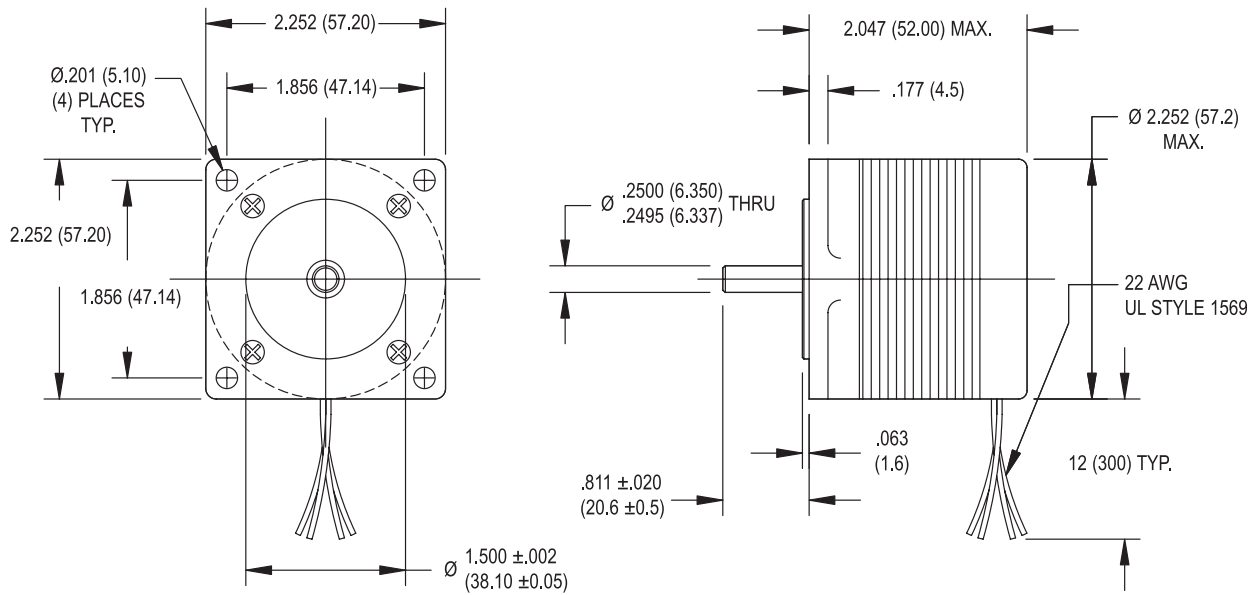
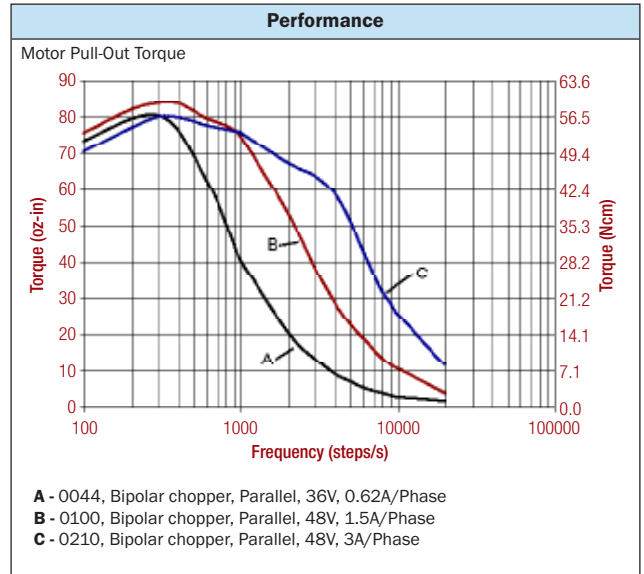


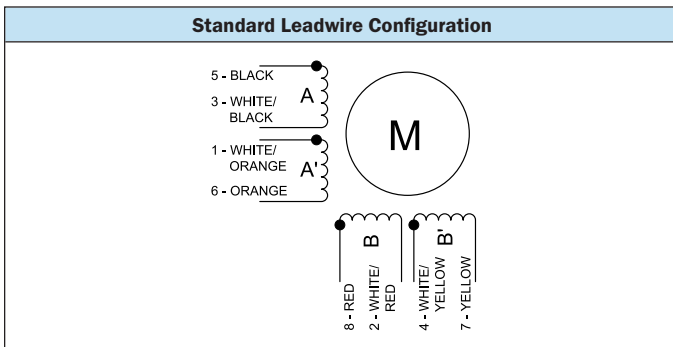
# SIZE 23 STEPPER MOTOR DATA



Specification	Units	HY 200 2220		
		0044	0100	0210
Rated Phase Current	A	0.44	1.00	2.10
Phase Resistance	Ω	23.0	5.0	1.1
Phase Inductance	mH	39.2	8.0	1.7
Holding Torque Unipolar	oz-in	74	75	74
	Ncm	52	53	52
Holding Torque Bipolar	oz-in	92	98	91
	Ncm	65	69	64
Detent Torque	oz-in	7.5	7.5	7.5
	Ncm	5.3	5.3	5.3
Rotor Inertia	oz-in-s <sup>2</sup> x10 <sup>-4</sup>	17.6	17.6	17.6
	g-cm <sup>2</sup>	124	124	124
Motor Weight (Mass)	lb	1.1	1.1	1.1
	kg	0.50	0.50	0.50
Maximum Voltage	V	75	75	75
Std. No. of Leads	—	8	8	8



Available through the MotionExpress program.



- ### Standard Features
- Step angle: 1.8°
  - Step angle accuracy: 5%
  - Insulation class: B (130° C)
  - NEMA 23 mounting configuration
  - AlNiCo magnets
  - Additional windings and customization options available
  - CE approved

- ### Complementary Products
- Gearboxes
  - Encoders