

REVISION RECORD				
REV	ECO	DESCRIPTION	DRFT	CHKD
△				

NOTES:

MATERIAL :

- |                    |   |
|--------------------|---|
| 1.HOUSING MATERIAL | :GLASS FILLED POLYESTER UL94V-0.        |
| 2.CONTACT MATERIAL | :PHOSPHOR BRONZE $\phi 0.46\text{mm}$ . |
| 3.PLATING          | :GOLD PLATING OVER NICKEL.              |
| 4.LED              | :OPTION                                 |

distributed by  
**wittic**

ELECTRICAL:

- |                                      |                              |
|--------------------------------------|------------------------------|
| 1.VOLTAGE RATING                     | :125 VAC RMS.                |
| 2.CURRENT RATING                     | :1.5 AMP.                    |
| 3.CONTACT RESISTANCE                 | :30 MILLIOHMS MAX.           |
| 4.INSULATION RESISTANCE              | :500 MEGOHMS MIN @ 500V DC . |
| 5.DIELECTRIC WITHSTANDING RESISTANCE | :1000V AC RMS 50Hz. 1MIN.    |

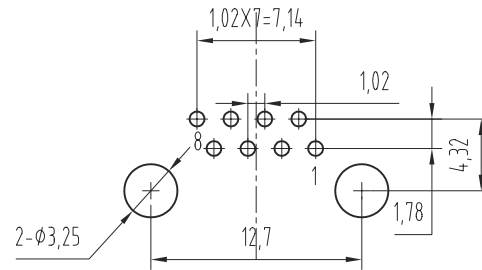
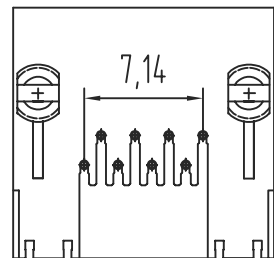
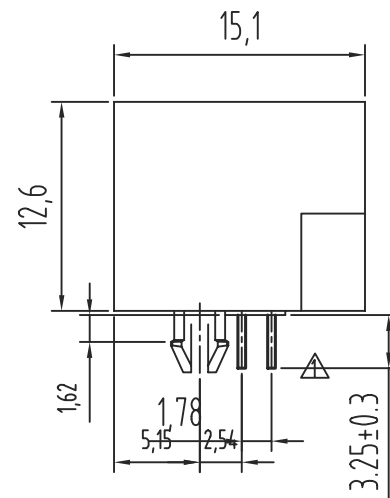
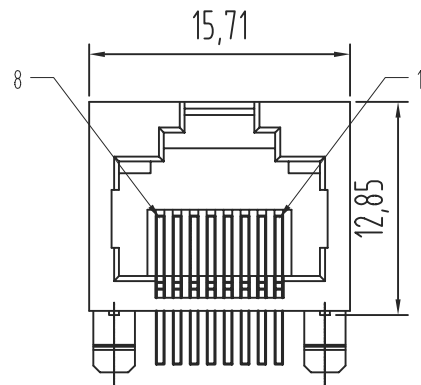
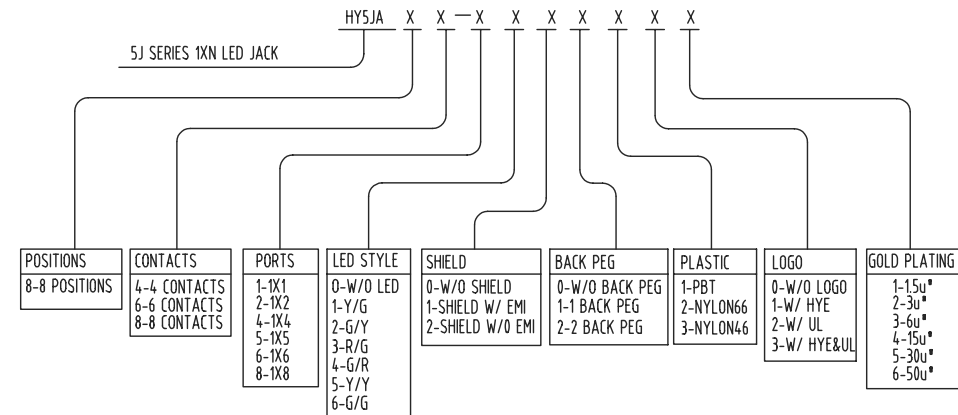
MECHANICAL:

- |                            |                  |
|----------------------------|------------------|
| 1.DURRABILITY              | :750 CYCLES MIN. |
| 2.PCB RETENTION PRE-SOLDER | :1 LB MIN.       |

ENVIRONMENTAL:

- |              |                  |
|--------------|------------------|
| 1. STORAGE   | : -40°C~+85°C    |
| 2. OPERATION | : -40°C TO 70°C. |

PART NUMBER:

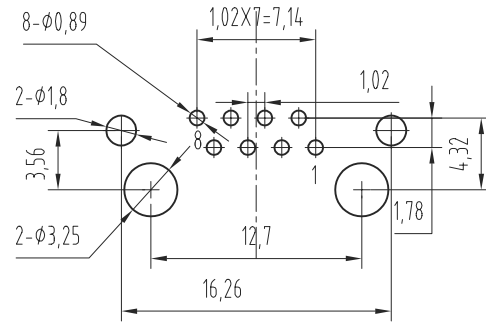
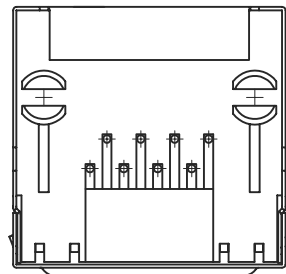
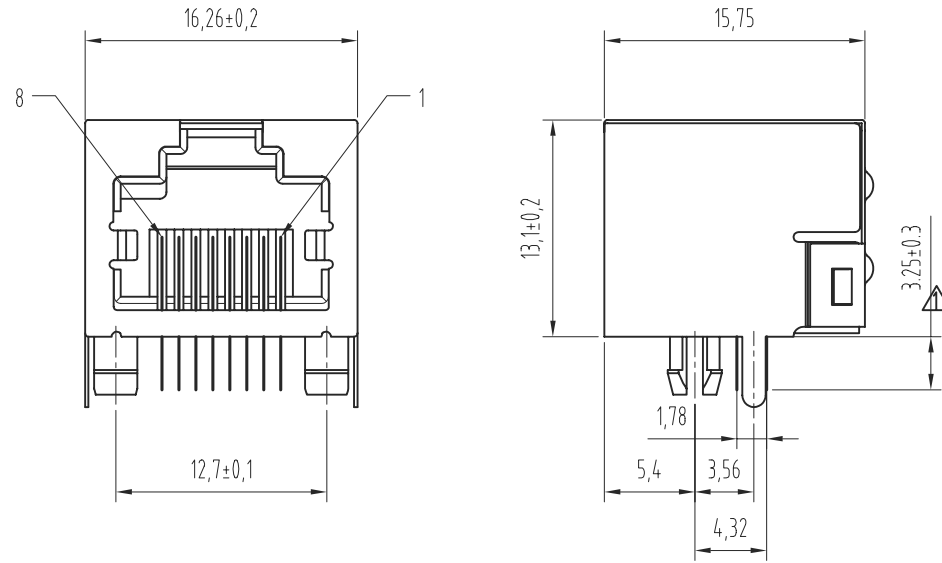


PC Board Layout  
Component Side Shown

DETACHED LISTS MM (INCH) TOLERANCES EXCEPT AS NOTED .0 ± 0.15 ± .00 ± 0.015 ± .000 ± 0.05 ± ANGLES ± 0.5 THIRD ANGLE PROJECTION	DFTO: DANIEL DATE: 05/08/17 CHKD: XSY DATE: 06/07/18 MFO: DATE: APPVL: DATE:	HONG YU ELECTRONIC CO., LTD TITLE: 5JA 1X1 JACK		
	MATERIAL: QTY:			DRAWING NO. /PART NO.
	FINISH:	DO NOT SCALE DRAWING	SHEET OF	
	SCALE:			

REV	ECO	DESCRIPTION	DRFT	CHKD
▲				

distributed by  
**wittic**



**PC Board Layout**  
**Component Side Shown**

**NOTES:**

**MATERIAL :**

- |                    |   |
|--------------------|---|
| 1.HOUSING MATERIAL | :GLASS FILLED POLYESTER UL94V-0.                  |
| 2.CONTACT MATERIAL | :PHOSPHOR BRONZE φ0.46mm.                         |
| 3.PLATING          | :GOLD PLATING OVER NICKEL.                        |
| 4.SHIELD           | :0.2mm THICKNESS COPPER ALLOY WITH NICKEL PLATED. |
| 5.LED              | :OPTION   |

**ELECTRICAL:**

- |                                      |                              |
|--------------------------------------|------------------------------|
| 1.VOLTAGE RATING                     | :125 VAC RMS.                |
| 2.CURRENT RATING                     | :1.5 AMP.                    |
| 3.CONTACT RESISTANCE                 | :30 MILLIOHMS MAX.           |
| 4.INSULATION RESISTANCE              | :500 MEGOHMS MIN @ 500V DC . |
| 5.DIELECTRIC WITHSTANDING RESISTANCE | :1000V AC RMS 50Hz. 1MIN.    |

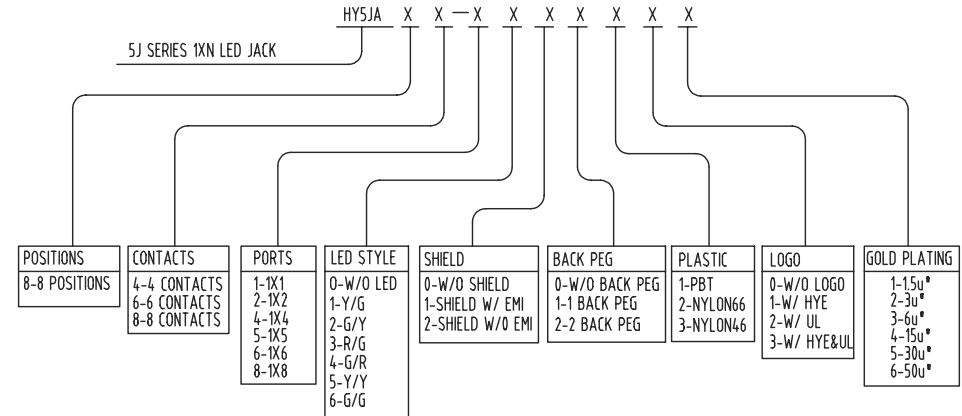
**MECHANICAL:**

- |                            |                  |
|----------------------------|------------------|
| 1.DURRABILITY              | :750 CYCLES MIN. |
| 2.PCB RETENTION PRE-SOLDER | :1 LB MIN.       |

**ENVIRONMENTAL:**

- |              |                  |
|--------------|------------------|
| 1. STORAGE   | : -40°C~+85°C    |
| 2. OPERATION | : -40°C TO 70°C. |

**PART NUMBER:**



MM (INCH)	DFTO	DANIEL	DATE	05/05/17	HONG YU ELECTRONIC CO., LTD			
TOLERANCES EXCEPT AS NOTED	CHKD	XSJ	DATE	06/01/28	TITLE			
MM	MFO		DATE		5J SERIES 1X1 JACK			
.0 ± 0.15 ±	APPLV		DATE		DRAWING NO.	TESJA1110	SIZE	REV
.00 ± 0.075 ±	MATERIAL :				/PART NO.		A3	0
.000 ± 0.05 ±	ANGLES ± 0.5	QTY :			DO NOT SCALE DRAWING		SHEET	OF
THIRD ANGLE PROJECTION	FINISH :	SCALE :	5:3					

REV	ECO	DESCRIPTION	DRFT	CHKD
△				

NOTES:

MATERIAL :

- |                    |   |
|--------------------|---|
| 1.HOUSING MATERIAL | :GLASS FILLED POLYESTER UL94V-0.                  |
| 2.CONTACT MATERIAL | :PHOSPHOR BRONZE $\phi$ 0.46mm.                   |
| 3.PLATING          | :GOLD PLATING OVER NICKEL.                        |
| 4.SHIELD           | :0.2mm THICKNESS COPPER ALLOY WITH NICKEL PLATED. |
| 5.LED              | :OPTION   |



ELECTRICAL:

- |                                      |                              |
|--------------------------------------|------------------------------|
| 1.VOLTAGE RATING                     | :125 VAC RMS.                |
| 2.CURRENT RATING                     | :1.5 AMP.                    |
| 3.CONTACT RESISTANCE                 | :30 MILLIOHMS MAX.           |
| 4.INSULATION RESISTANCE              | :500 MEGOHMS MIN @ 500V DC . |
| 5.DIELECTRIC WITHSTANDING RESISTANCE | :1000V AC RMS 50Hz. 1MIN.    |

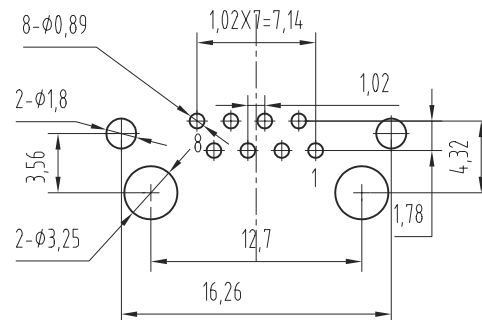
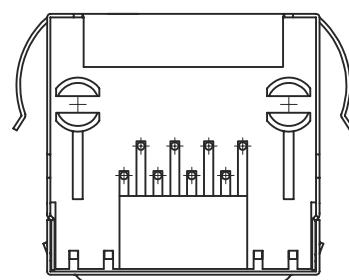
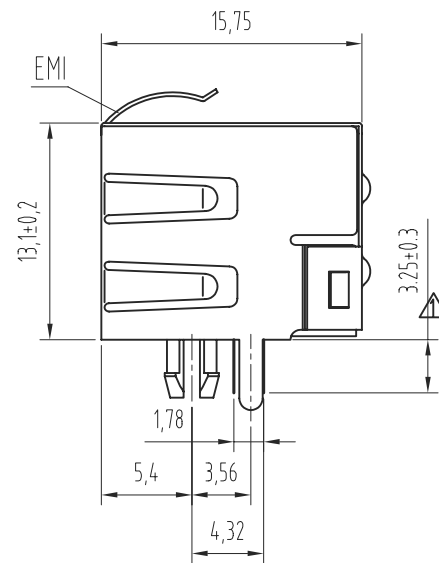
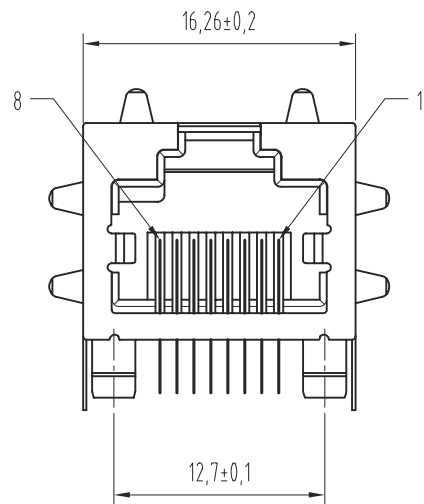
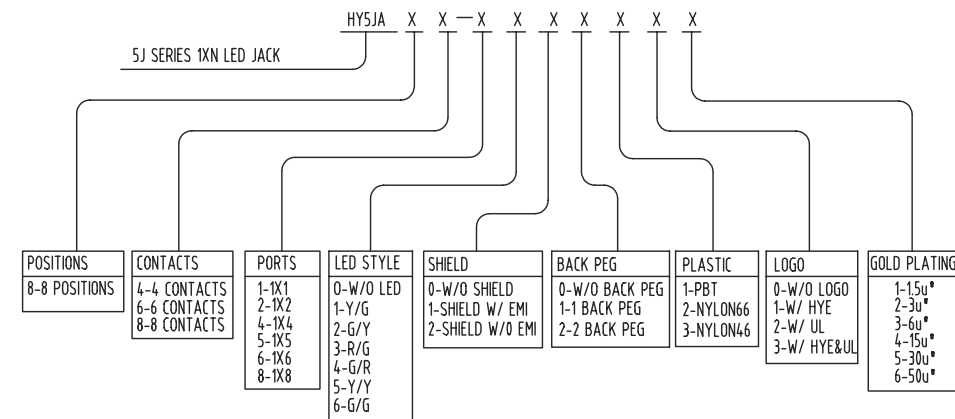
MECHANICAL:

- |                            |                  |
|----------------------------|------------------|
| 1.DURRABILITY              | :750 CYCLES MIN. |
| 2.PCB RETENTION PRE-SOLDER | :1 LB MIN.       |

ENVIRONMENTAL:

- |              |  |
|--------------|--|
| 1. STORAGE   | : -40 $^{\circ}$ ~+85 $^{\circ}$       |
| 2. OPERATION | : -40 $^{\circ}$ C TO 70 $^{\circ}$ C. |

PART NUMBER:



PC Board Layout  
Component Side Shown

DETACHED LISTS	MM (INCH)	DFTO DANIEL DATE 05/05/17	HONG YU ELECTRONIC CO., LTD	
	TOLERANCES EXCEPT AS NOTED	CHKD XSY DATE 06/01/28		
	MM	MFO DATE	TITLE 5J SERIES 1X1 LED JACK	
	.0 ± 0.15 ±	APVVL DATE		
.00 ± 0.015 ±	MATERIAL :	DRAWING NO. TESJA1110	SIZE A3	REV 0
.000 ± 0.05 ±	ANGLES ± 0.5	QTY :	/PART NO.	OF
THIRD ANGLE PROJECTION	FINISH :	SCALE : 5:3	DO NOT SCALE DRAWING	SHEET

REV	ECO	DESCRIPTION	DRFT	CHKD
▲				

distributed by  
**wittic**

NOTES:

MATERIAL :

- |                    |   |
|--------------------|---|
| 1.HOUSING MATERIAL | :GLASS FILLED POLYESTER UL94V-0.        |
| 2.CONTACT MATERIAL | :PHOSPHOR BRONZE $\phi 0.46\text{mm}$ . |
| 3.PLATING          | :GOLD PLATING OVER NICKEL.              |
| 4.LED              | :OPTION                                 |

ELECTRICAL:

- |                                      |                              |
|--------------------------------------|------------------------------|
| 1.VOLTAGE RATING                     | :125 VAC RMS.                |
| 2.CURRENT RATING                     | :1.5 AMP.                    |
| 3.CONTACT RESISTANCE                 | :30 MILLIOHMS MAX.           |
| 4.INSULATION RESISTANCE              | :500 MEGOHMS MIN @ 500V DC . |
| 5.DIELECTRIC WITHSTANDING RESISTANCE | :1000V AC RMS 50Hz. 1MIN.    |

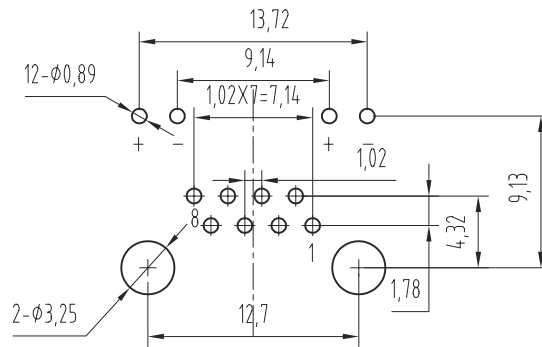
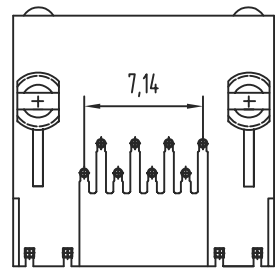
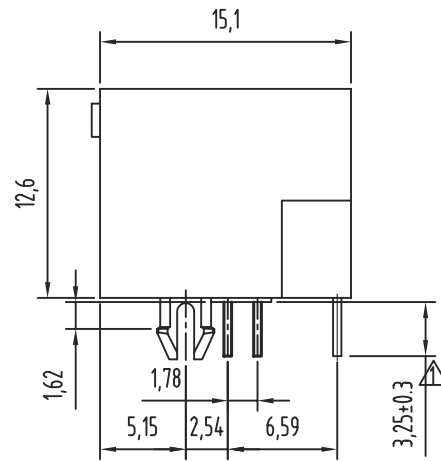
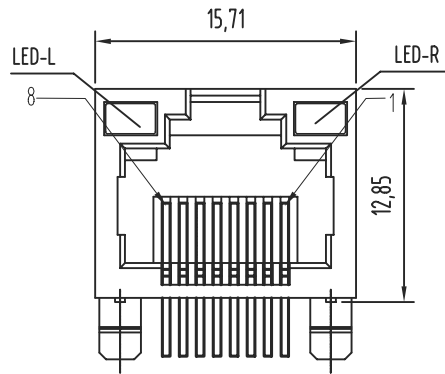
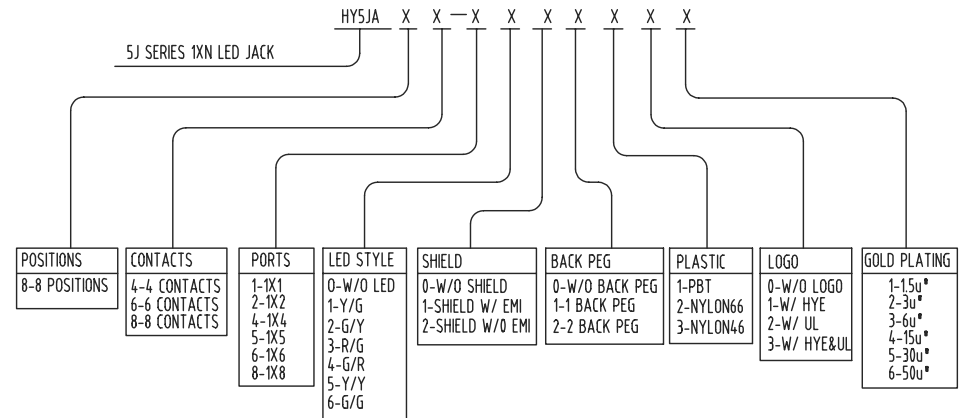
MECHANICAL:

- |                            |                  |
|----------------------------|------------------|
| 1.DURRABILITY              | :750 CYCLES MIN. |
| 2.PCB RETENTION PRE-SOLDER | :1 LB MIN.       |

ENVIRONMENTAL:

- |              |                  |
|--------------|------------------|
| 1. STORAGE   | : -40°C~+85°C    |
| 2. OPERATION | : -40°C TO 70°C. |

PART NUMBER:

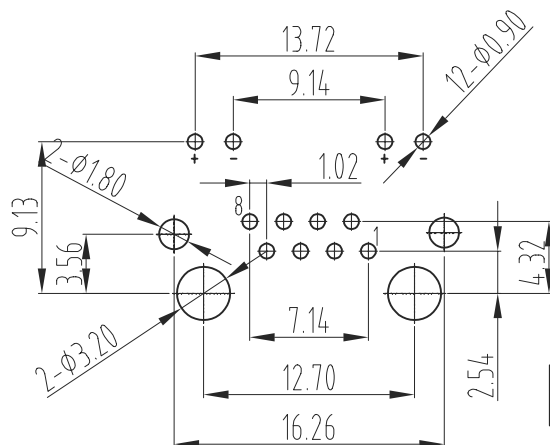
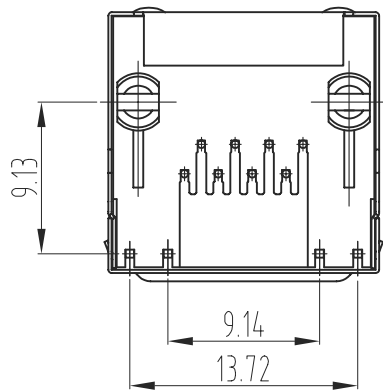
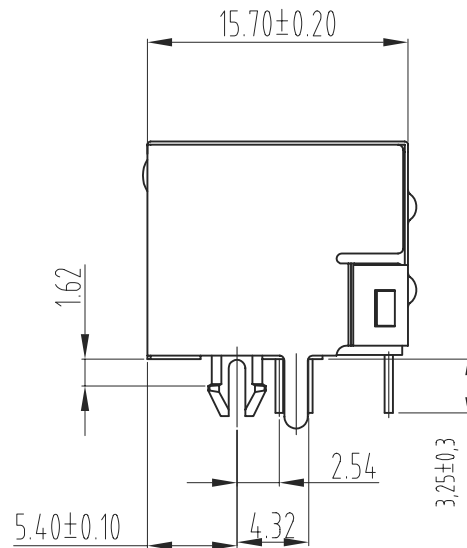
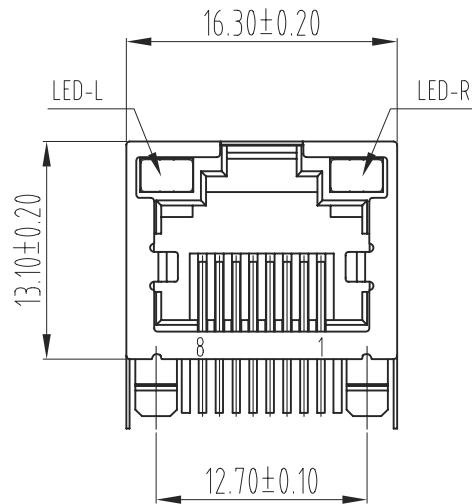


PC Board Layout  
Component Side Shown

DETACHED LISTS MM (INCH) TOLERANCES EXCEPT AS NOTED .0 ± 0.15 ± .00 ± 0.015 ± .000 ± 0.05 ± ANGLES ± 0.5 THIRD ANGLE PROJECTION	DFTO: DANIEL CHKD: XSY MFO: APPVL: MATERIAL: QTY: FINISH: SCALE:	DATE: 05/08/17 DATE: 06/07/28 DATE: DATE: DATE: DATE:	HONG YU ELECTRONIC CO., LTD TITLE 1X1 LED JACK		DRAWING NO. /PART NO.	SIZE A3	REV 0
	DO NOT SCALE DRAWING				SHEET OF		

REV	ECO	DESCRIPTION	DRFT	CHKD
△				

distributed by  
**wittic**



PCB LAYOUT/TOP VIEW

NOTES:

MATERIAL :

- |                    |   |
|--------------------|---|
| 1.HOUSING MATERIAL | :PBT  |
| 2.CONTACT MATERIAL | :PHOSPHOR BRONZE $\phi$ 0.46mm.                   |
| 3.PLATING          | :GOLD PLATING OVER NICKEL.                        |
| 4.SHIELD           | :0.2mm THICKNESS COPPER ALLOY WITH NICKEL PLATED. |
| 5.LED              | :OPTION   |

ELECTRICAL:

- |                                      |                              |
|--------------------------------------|------------------------------|
| 1.VOLTAGE RATING                     | :125 VAC RMS.                |
| 2.CURRENT RATING                     | :1.5 AMP.                    |
| 3.CONTACT RESISTANCE                 | :30 MILLIOHMS MAX.           |
| 4.INSULATION RESISTANCE              | :500 MEGOHMS MIN @ 500V DC . |
| 5.DIELECTRIC WITHSTANDING RESISTANCE | :1000V AC RMS 50Hz. 1MIN.    |

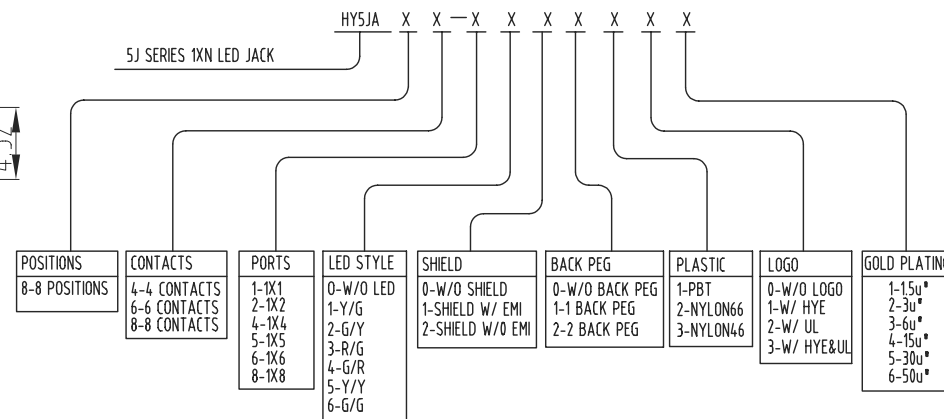
MECHANICAL:

- |                            |                  |
|----------------------------|------------------|
| 1.DURRABILITY              | :750 CYCLES MIN. |
| 2.PCB RETENTION PRE-SOLDER | :1 LB MIN.       |

ENVIRONMENTAL:

- |              |  |
|--------------|--|
| 1. STORAGE   | : -40 $^{\circ}$ ~+85 $^{\circ}$       |
| 2. OPERATION | : -40 $^{\circ}$ C TO 70 $^{\circ}$ C. |

PART NUMBER:



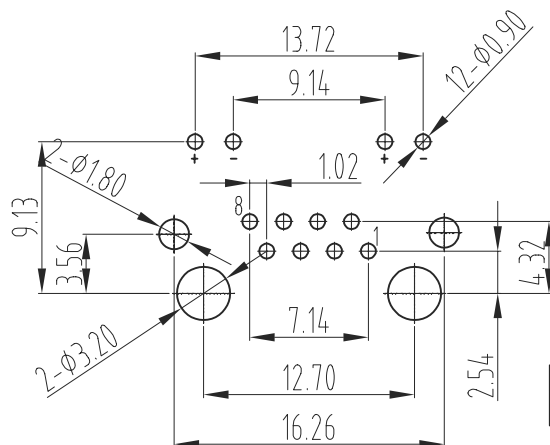
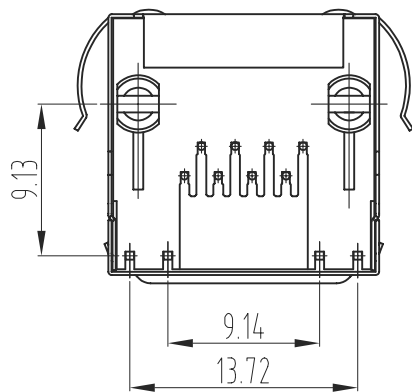
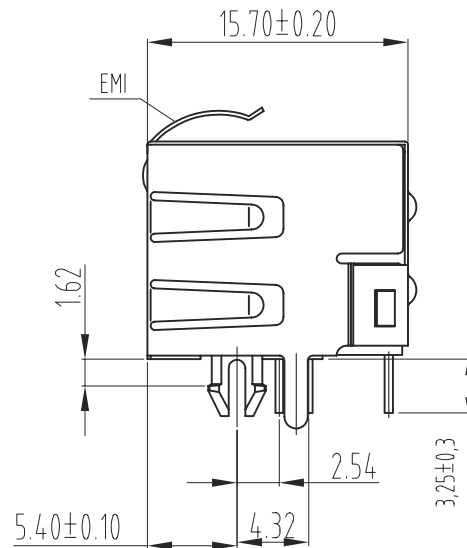
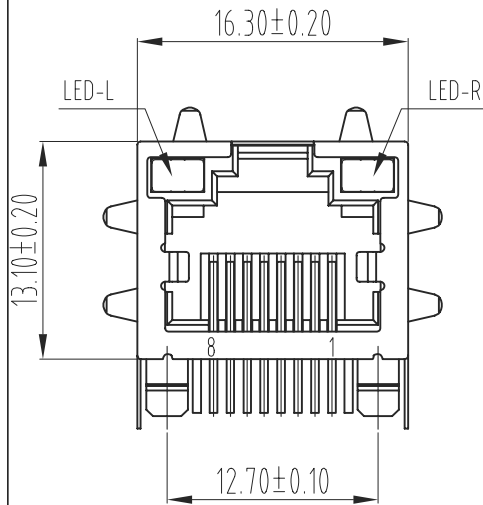
DRTO	DANIEL	DATE	05/05/17
CHKD	XSJY	DATE	06/07/28
MFO		DATE	
APPLV		DATE	
MATERIAL :			
QTY :			
FINISH :			
SCALE : 5:3			

HONG YU ELECTRONIC CO., LTD

TITLE			
5J SERIES 1XN LED JACK			
DRAWING NO.	TESJA1110	SIZE	REV
/PART NO.		A3	0
DO NOT SCALE DRAWING		SHEET OF	

REV	ECO	DESCRIPTION	DRFT	CHKD
▲				

distributed by  
**wittic**



PCB LAYOUT/TOP VIEW

NOTES:

MATERIAL :

- |                    |  |
|--------------------|--|
| 1.HOUSING MATERIAL | :PBT   |
| 2.CONTACT MATERIAL | :PHOSPHOR BRONZE $\phi$ 0.46mm.                    |
| 3.PLATING          | :GOLD PLATING OVER NICKEL.                         |
| 4.SHIELD           | :0.20mm THICKNESS COPPER ALLOY WITH NICKEL PLATED. |
| 5.LED              | :OPTION  |

ELECTRICAL:

- |                                      |                              |
|--------------------------------------|------------------------------|
| 1.VOLTAGE RATING                     | :125 VAC RMS.                |
| 2.CURRENT RATING                     | :1.5 AMP.                    |
| 3.CONTACT RESISTANCE                 | :30 MILLIOHMS MAX.           |
| 4.INSULATION RESISTANCE              | :500 MEGOHMS MIN @ 500V DC . |
| 5.DIELECTRIC WITHSTANDING RESISTANCE | :1000V AC RMS 50Hz. 1MIN.    |

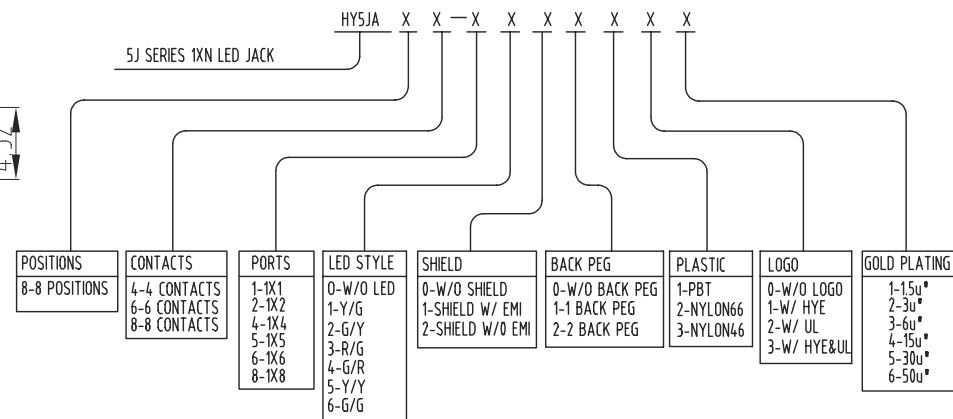
MECHANICAL:

- |                            |                  |
|----------------------------|------------------|
| 1.DURRABILITY              | :750 CYCLES MIN. |
| 2.PCB RETENTION PRE-SOLDER | :1 LB MIN.       |

ENVIRONMENTAL:

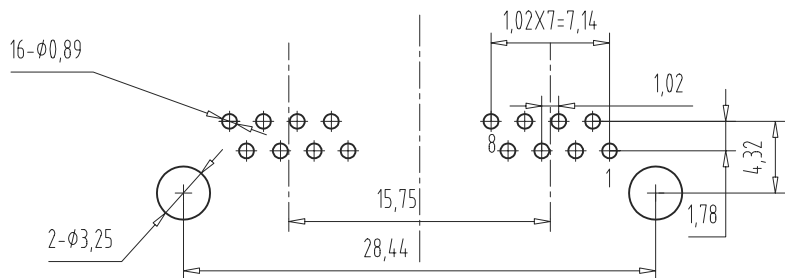
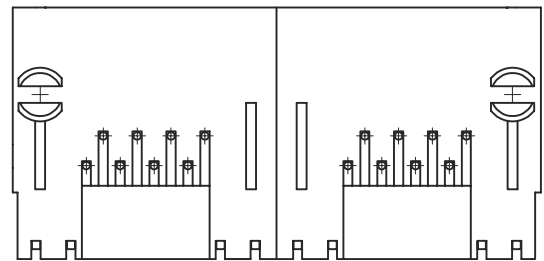
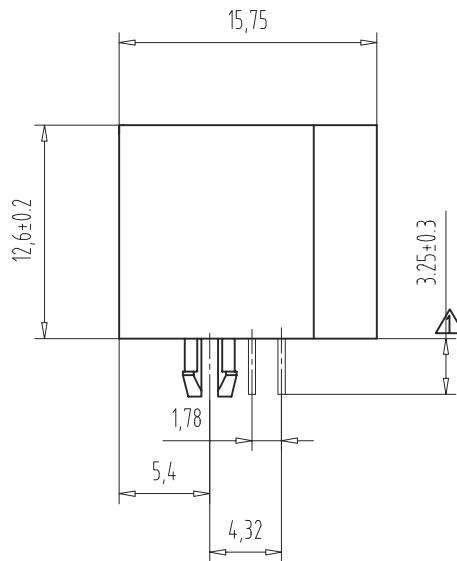
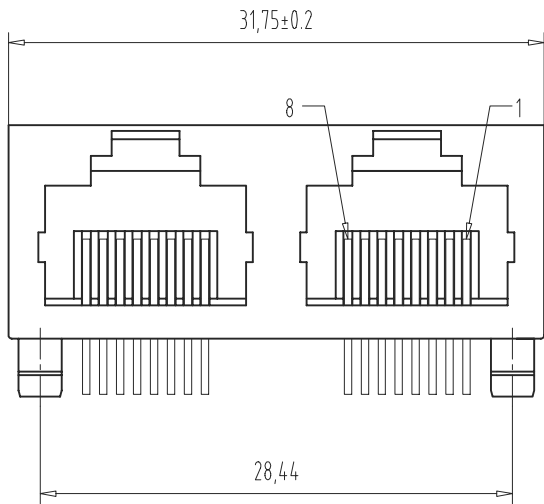
- |              |  |
|--------------|--|
| 1. STORAGE   | : -40 $^{\circ}$ ~+85 $^{\circ}$       |
| 2. OPERATION | : -40 $^{\circ}$ C TO 70 $^{\circ}$ C. |

PART NUMBER:



DRTO	DANIEL	DATE	05/05/17
CHKD	XSJY	DATE	06/07/28
MFO		DATE	
APPLV		DATE	
MATERIAL :			
QTY :			
FINISH :			
SCALE :	5:3		

HONG YU ELECTRONIC CO., LTD			
TITLE			
5J SERIES 1X1 LED JACK			
DRAWING NO.	TESJA1110	SIZE	REV
/PART NO.		A3	0
DO NOT SCALE DRAWING		SHEET OF	



PC Board Layout  
Component Side Shown

NOTES:

MATERIAL :

- 1.HOUSING MATERIAL :PBT
- 2.CONTACT MATERIAL :PHOSPHOR BRONZE  $\phi$ 0.46mm.
- 3.PLATING :GOLD PLATING OVER NICKEL.
- 4.LED :OPTION

distributed by  
**wittic**

ELECTRICAL:

- 1.VOLTAGE RATING :125 VAC RMS.
- 2.CURRENT RATING :1.5 AMP.
- 3.CONTACT RESISTANCE :30 MILLIOHMS MAX.
- 4.INSULATION RESISTANCE :500 MEGOHMS MIN @ 500V DC .
- 5.DIELECTRIC WITHSTANDING RESISTANCE :1000V AC RMS 50Hz. 1MIN.

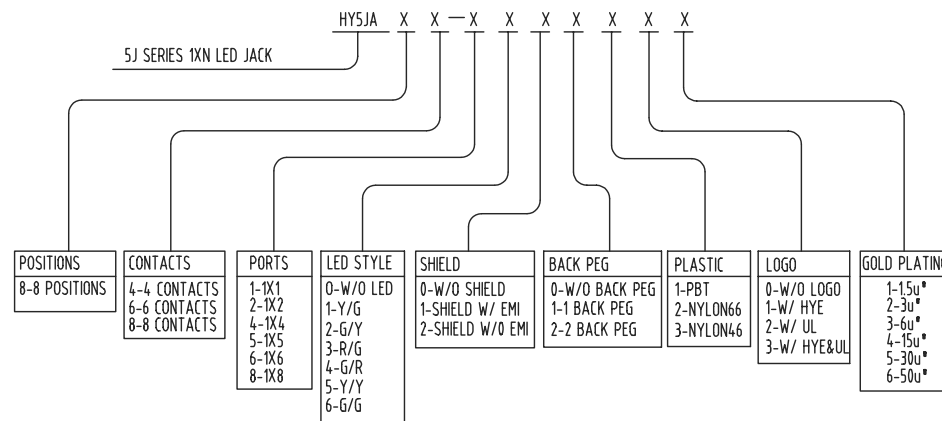
MECHANICAL:

- 1.DURRABILITY :750 CYCLES MIN.
- 2.PCB RETENTION PRE-SOLDER :1 LB MIN.

ENVIRONMENTAL:

- 1. STORAGE : -40°C~+85°C
- 2. OPERATION : -40°C TO 70°C.

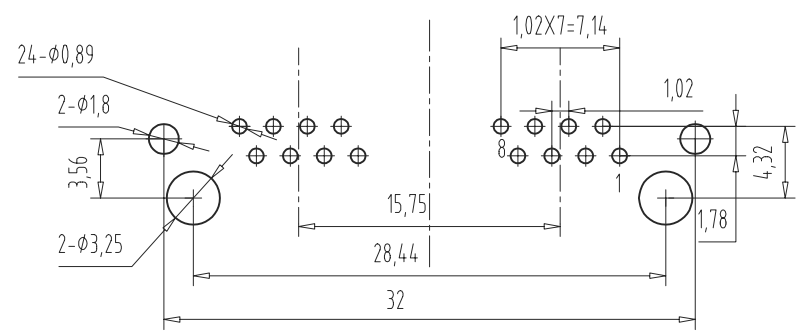
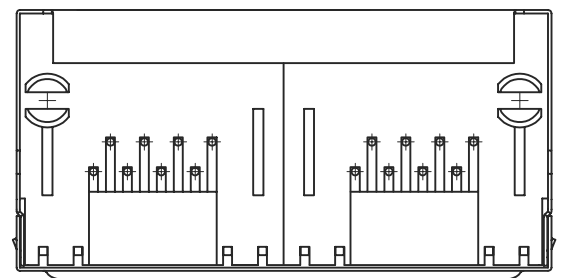
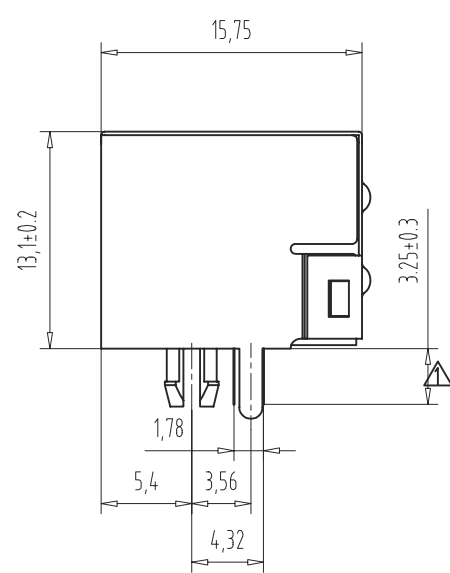
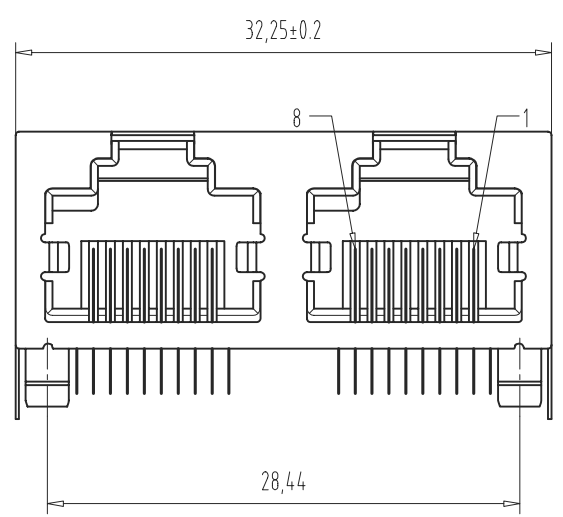
PART NUMBER:



DETACHED LISTS	MM (INCH)	DFTO DANIEL DATE 05/05/17	HONG YU ELECTRONIC CO., LTD		
	TOLERANCES EXCEPT AS NOTED	CHKD XSY DATE 06/01/28			
	MM	MFO DATE	TITLE 5J SERIES 1X2 LED JACK		
	.0 ± 0.15	APPLV DATE			
.00 ± 0.075	MATERIAL :	DRAWING NO. TESJA1120		SIZE A3	REV 0
.000 ± 0.05	QTY :	/PART NO.		DRAWING NO. TESJA1120	
ANGLES ± 0.5	FINISH :	DO NOT SCALE DRAWING		SHEET OF	
THIRD ANGLE PROJECTION	SCALE : 5:3				

REV	ECO	DESCRIPTION	DRFT	CHKD
▲				

distributed by  
**wittic**



PC Board Layout  
Component Side Shown

NOTES:

MATERIAL :

- |                    |   |
|--------------------|---|
| 1.HOUSING MATERIAL | :GLASS FILLED POLYESTER UL94V-0.                  |
| 2.CONTACT MATERIAL | :PHOSPHOR BRONZE ∅0.46mm.                         |
| 3.PLATING          | :GOLD PLATING OVER NICKEL.                        |
| 4.SHIELD           | :0.2mm THICKNESS COPPER ALLOY WITH NICKEL PLATED. |
| 5.LED              | :OPTION   |

ELECTRICAL:

- |                                      |                              |
|--------------------------------------|------------------------------|
| 1.VOLTAGE RATING                     | :125 VAC RMS.                |
| 2.CURRENT RATING                     | :1.5 AMP.                    |
| 3.CONTACT RESISTANCE                 | :30 MILLIOHMS MAX.           |
| 4.INSULATION RESISTANCE              | :500 MEGOHMS MIN @ 500V DC . |
| 5.DIELECTRIC WITHSTANDING RESISTANCE | :1000V AC RMS 50Hz. 1MIN.    |

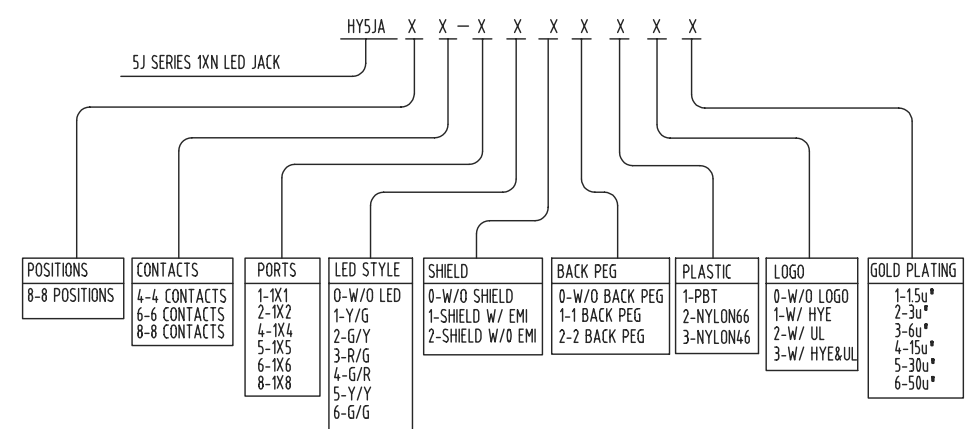
MECHANICAL:

- |                            |                  |
|----------------------------|------------------|
| 1.DURRABILITY              | :750 CYCLES MIN. |
| 2.PCB RETENTION PRE-SOLDER | :1 LB MIN.       |

ENVIRONMENTAL:

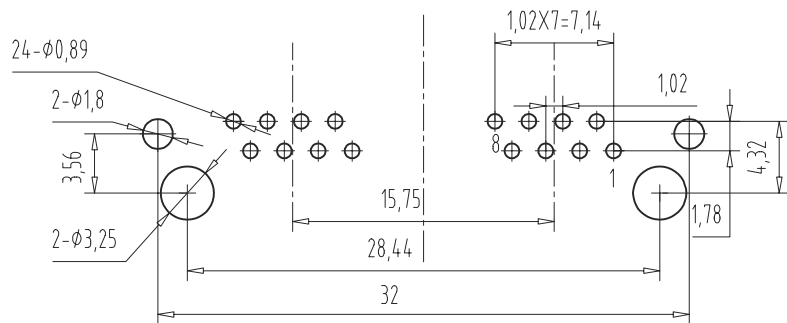
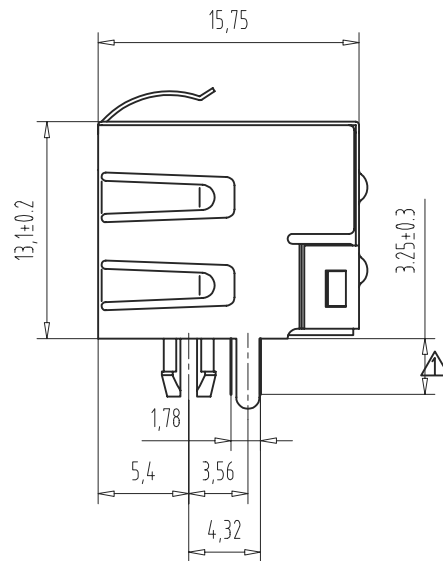
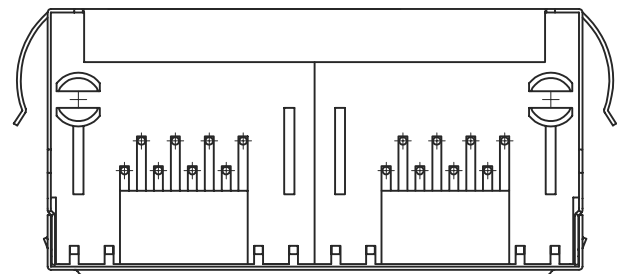
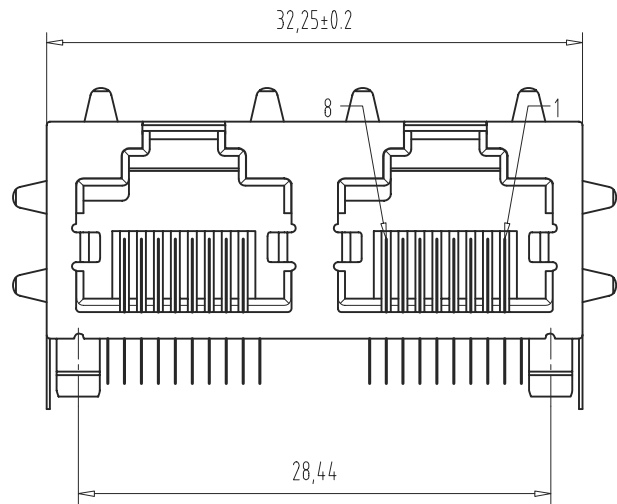
- |              |                  |
|--------------|------------------|
| 1. STORAGE   | : -40°C~+85°C    |
| 2. OPERATION | : -40°C TO 70°C. |

PART NUMBER:



DETACHED LISTS	MM (INCH)	DFTO DANIEL DATE 05/09/11	HONG YU ELECTRONIC CO., LTD			
	TOLERANCES EXCEPT AS NOTED	CHKD XSY DATE 06/07/28				
	MM	MFO DATE	TITLE 5J SERIES 1X2 LED JACK			
	APPVL DATE	MATERIAL :				
ANGLES ± 0.5	QTY :	DRAWING NO.		SIZE A3	REV 0	
THIRD ANGLE PROJECTION	FINISH :	/PART NO.		DO NOT SCALE DRAWING		SHEET OF
	SCALE : 5:3					





PC Board Layout  
Component Side Shown

NOTES:

REVISION RECORD				
REV	ECO	DESCRIPTION	DRFT	CHKD
▲				

MATERIAL :

- |                    |   |
|--------------------|---|
| 1.HOUSING MATERIAL | :GLASS FILLED POLYESTER UL94V-0.                  |
| 2.CONTACT MATERIAL | :PHOSPHOR BRONZE ∅0.46mm.                         |
| 3.PLATING          | :GOLD PLATING OVER NICKEL.                        |
| 4.SHIELD           | :0.2mm THICKNESS COPPER ALLOY WITH NICKEL PLATED. |
| 5.LED              | :OPTION   |



ELECTRICAL:

- |                                      |                              |
|--------------------------------------|------------------------------|
| 1.VOLTAGE RATING                     | :125 VAC RMS.                |
| 2.CURRENT RATING                     | :1.5 AMP.                    |
| 3.CONTACT RESISTANCE                 | :30 MILLIOHMS MAX.           |
| 4.INSULATION RESISTANCE              | :500 MEGOHMS MIN @ 500V DC . |
| 5.DIELECTRIC WITHSTANDING RESISTANCE | :1000V AC RMS 50Hz. 1MIN.    |

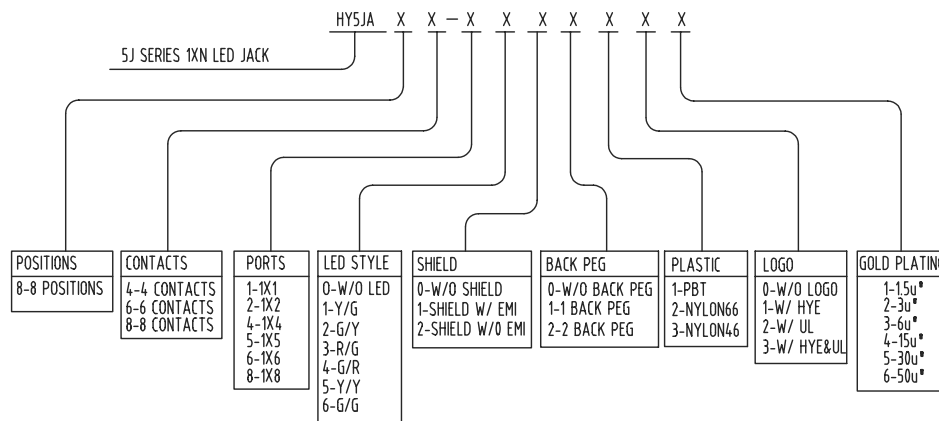
MECHANICAL:

- |                            |                  |
|----------------------------|------------------|
| 1.DURRABILITY              | :750 CYCLES MIN. |
| 2.PCB RETENTION PRE-SOLDER | :1 LB MIN.       |

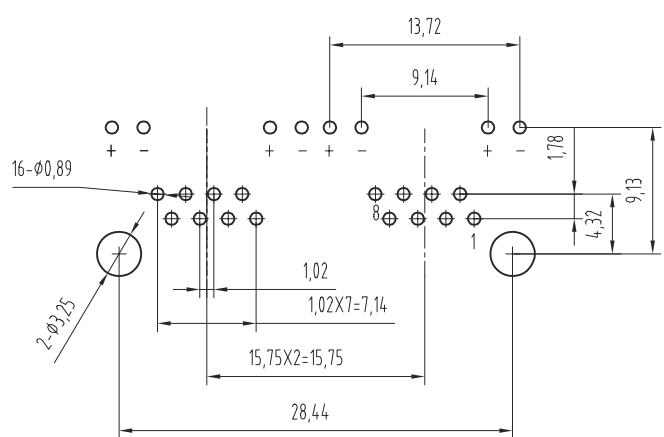
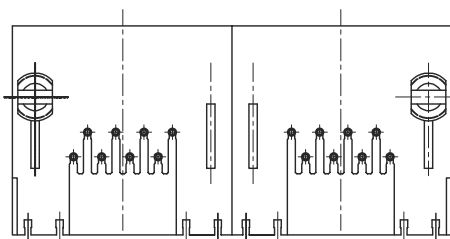
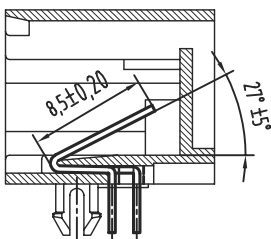
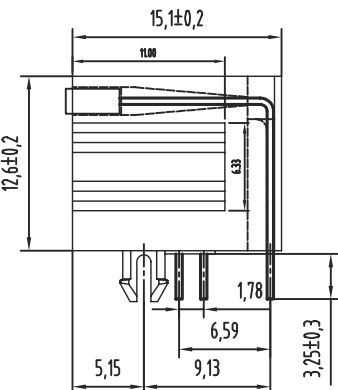
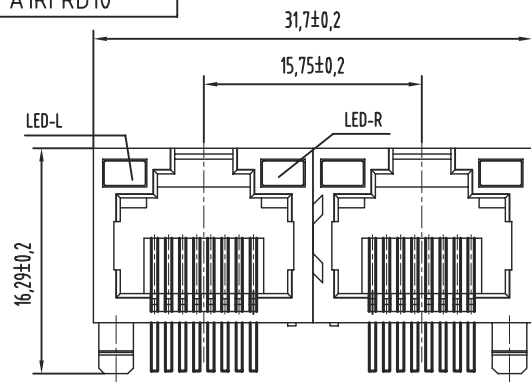
ENVIRONMENTAL:

- |              |                  |
|--------------|------------------|
| 1. STORAGE   | : -40°C~+85°C    |
| 2. OPERATION | : -40°C TO 70°C. |

PART NUMBER:



DETACHED LISTS	MM (INCH)	DFTO DANIEL DATE 05/09/11	HONG YU ELECTRONIC CO., LTD		
	TOLERANCES EXCEPT AS NOTED	CHKD XSY DATE 06/07/28			
	MM	MFO DATE	TITLE 5J SERIES 1X2 LED JACK		
	APPVL DATE	MATERIAL :			
ANGLES ± 0.5	QTY :	DRAWING NO.		SIZE A3	REV 0
THIRD ANGLE PROJECTION	FINISH :	/PART NO.		SHEET OF	
	SCALE : 5:3	DO NOT SCALE DRAWING		OF	



PC Board Layout  
Component Side Shown

NOTES:

MATERIAL :

- 1.HOUSING MATERIAL :PBT
- 2.CONTACT MATERIAL :PHOSPHOR BRONZE  $\phi$ 0.46mm.
- 3.PLATING :GOLD PLATING OVER NICKEL.
- 4.LED :OPTION

ELECTRICAL:

- 1.VOLTAGE RATING :125 VAC RMS.
- 2.CURRENT RATING :1.5 AMP.
- 3.CONTACT RESISTANCE :30 MILLIOHMS MAX.
- 4.INSULATION RESISTANCE :500 MEGOHMS MIN @ 500V DC .
- 5.DIELECTRIC WITHSTANDING RESISTANCE :1000V AC RMS 50Hz. 1MIN.

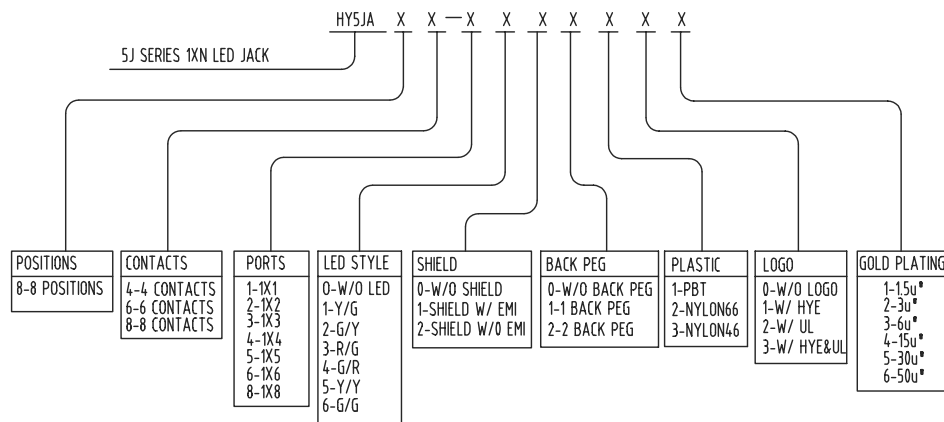
MECHANICAL:

- 1.DURRABILITY :750 CYCLES MIN.
- 2.PCB RETENTION PRE-SOLDER :1 LB MIN.

ENVIRONMENTAL:

- 1. STORAGE : -40°C~+85°C
- 2. OPERATION : -40°C TO 70°C.

PART NUMBER:



REVISION RECORD				
REV	ECO	DESCRIPTION	DRFT	CHKD
▲				

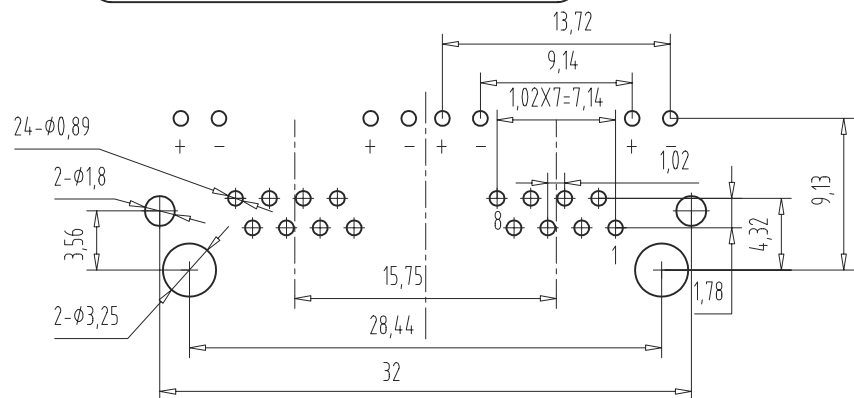
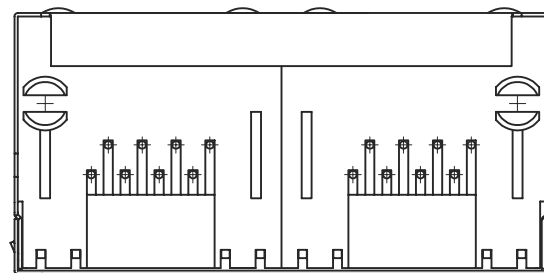
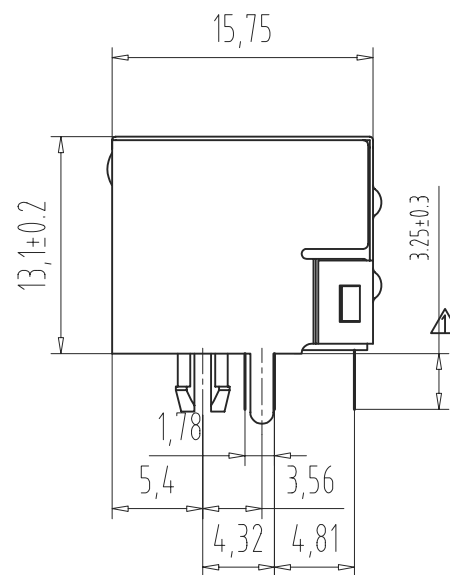
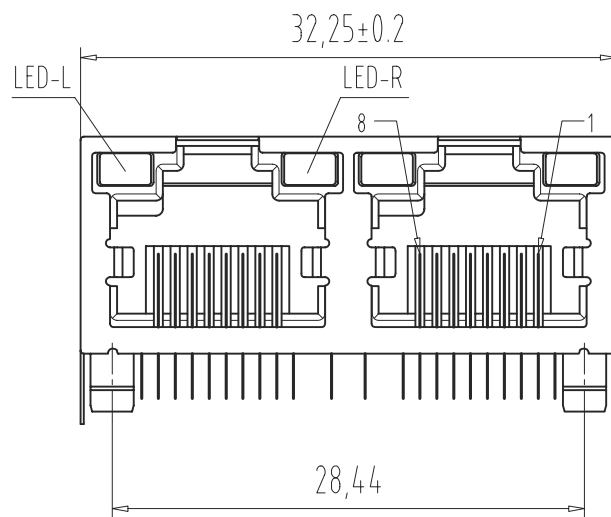


DETACHED LISTS	MM (INCH)	DFTO DANIEL	DATE 05/05/17
	TOLERANCES EXCEPT AS NOTED	CHKD XSY	DATE 06/07/18
	MM	MFO	DATE
	.0 ± 0.15 ±	APPLV	DATE
	.00 ± 0.015 ±		
		MATERIAL :	
		QTY :	
		FINISH :	
		SCALE : 5:3	

HONG YU ELECTRONIC CO., LTD			
TITLE 5J SERIES 1X3 LED JACK			
DRAWING NO.	TESJA1120	SIZE	REV
/PART NO.		A3	0
DO NOT SCALE DRAWING		SHEET OF	

REV	ECO	DESCRIPTION	DRFT	CHKD
△				

distributed by  
**wittic**



PC Board Layout  
Component Side Shown

NOTES:

MATERIAL :

- |                    |   |
|--------------------|---|
| 1.HOUSING MATERIAL | :GLASS FILLED POLYESTER UL94V-0.                  |
| 2.CONTACT MATERIAL | :PHOSPHOR BRONZE ∅0.46mm.                         |
| 3.PLATING          | :GOLD PLATING OVER NICKEL.                        |
| 4.SHIELD           | :0.2mm THICKNESS COPPER ALLOY WITH NICKEL PLATED. |
| 5.LED              | :OPTION   |

ELECTRICAL:

- |                                      |                              |
|--------------------------------------|------------------------------|
| 1.VOLTAGE RATING                     | :125 VAC RMS.                |
| 2.CURRENT RATING                     | :1.5 AMP.                    |
| 3.CONTACT RESISTANCE                 | :30 MILLIOHMS MAX.           |
| 4.INSULATION RESISTANCE              | :500 MEGOHMS MIN @ 500V DC . |
| 5.DIELECTRIC WITHSTANDING RESISTANCE | :1000V AC RMS 50Hz. 1MIN.    |

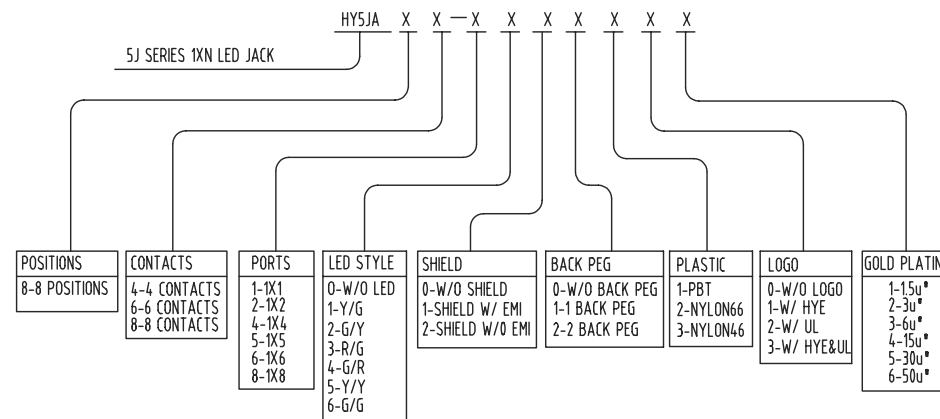
MECHANICAL:

- |                            |                  |
|----------------------------|------------------|
| 1.DURRABILITY              | :750 CYCLES MIN. |
| 2.PCB RETENTION PRE-SOLDER | :1 LB MIN.       |

ENVIRONMENTAL:

- |              |                |
|--------------|----------------|
| 1. STORAGE   | : -40℃~+85℃    |
| 2. OPERATION | : -40℃ TO 70℃. |

PART NUMBER:



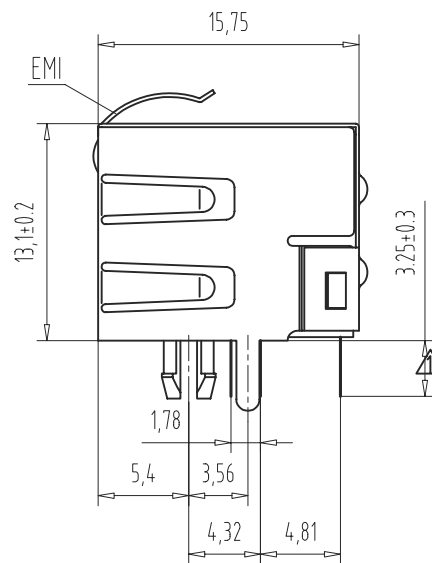
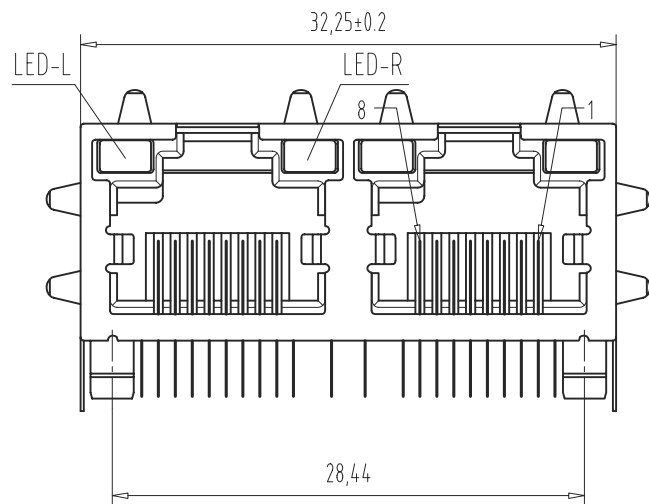
DR TO	DANIEL	DATE	05/07/28
CHKD	XY	DATE	
MFO		DATE	
APPLV		DATE	
MATERIAL :			
QTY :			
FINISH :			
SCALE : 5:3			

HONG YU ELECTRONIC CO., LTD

TITLE			
5J SERIES 1X2 LED JACK			
DRAWING NO.	TESJA1120	SIZE	REV
/PART NO.		A3	0
DO NOT SCALE DRAWING		SHEET OF	

REV	ECO	DESCRIPTION	DRFT	CHKD
▲				

distributed by  
**wittic**



NOTES:

MATERIAL :

- |                    |   |
|--------------------|---|
| 1.HOUSING MATERIAL | :PBT  |
| 2.CONTACT MATERIAL | :PHOSPHOR BRONZE $\phi$ 0.46mm.                   |
| 3.PLATING          | :GOLD PLATING OVER NICKEL.                        |
| 4.SHIELD           | :0.2mm THICKNESS COPPER ALLOY WITH NICKEL PLATED. |
| 5.LED              | :OPTION   |

ELECTRICAL:

- |                                      |                              |
|--------------------------------------|------------------------------|
| 1.VOLTAGE RATING                     | :125 VAC RMS.                |
| 2.CURRENT RATING                     | :1.5 AMP.                    |
| 3.CONTACT RESISTANCE                 | :30 MILLIOHMS MAX.           |
| 4.INSULATION RESISTANCE              | :500 MEGOHMS MIN @ 500V DC . |
| 5.DIELECTRIC WITHSTANDING RESISTANCE | :1000V AC RMS 50Hz. 1MIN.    |

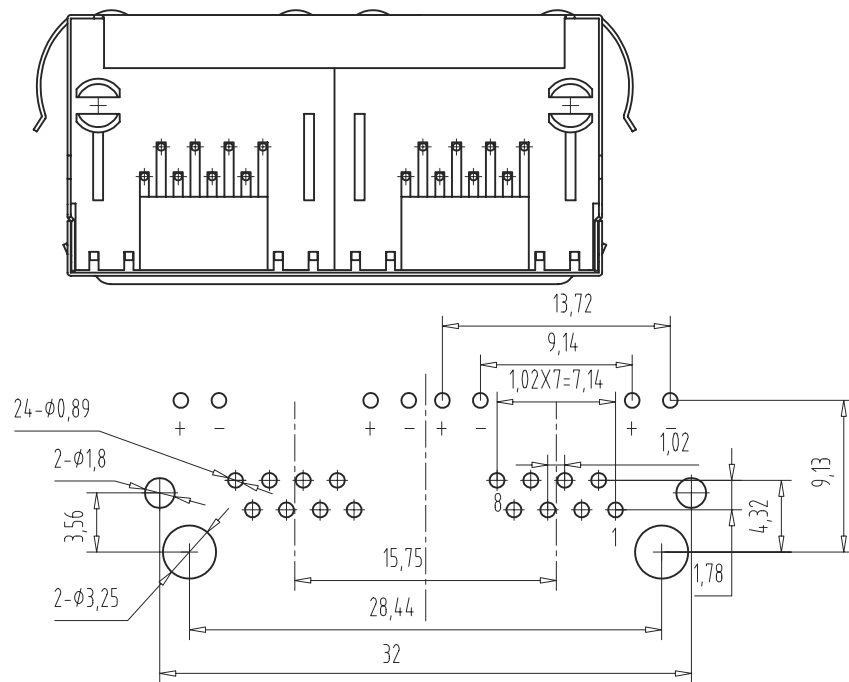
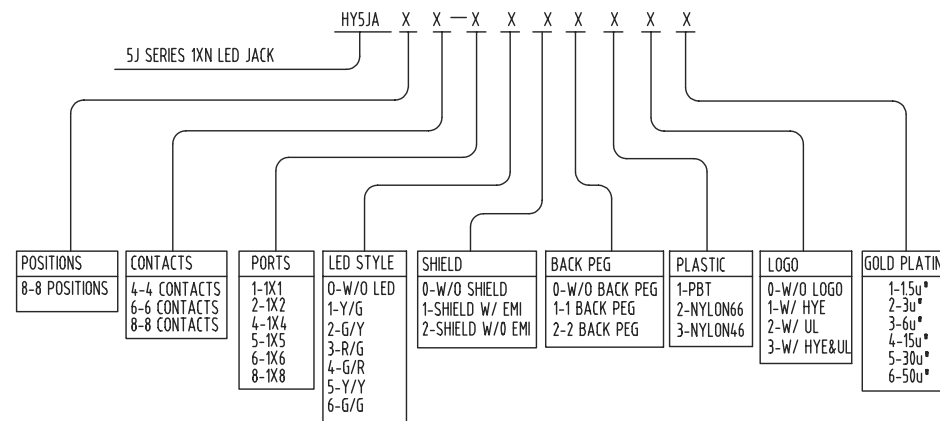
MECHANICAL:

- |                            |                  |
|----------------------------|------------------|
| 1.DURRABILITY              | :750 CYCLES MIN. |
| 2.PCB RETENTION PRE-SOLDER | :1 LB MIN.       |

ENVIRONMENTAL:

- |              |                  |
|--------------|------------------|
| 1. STORAGE   | : -40°C~+85°C    |
| 2. OPERATION | : -40°C TO 70°C. |

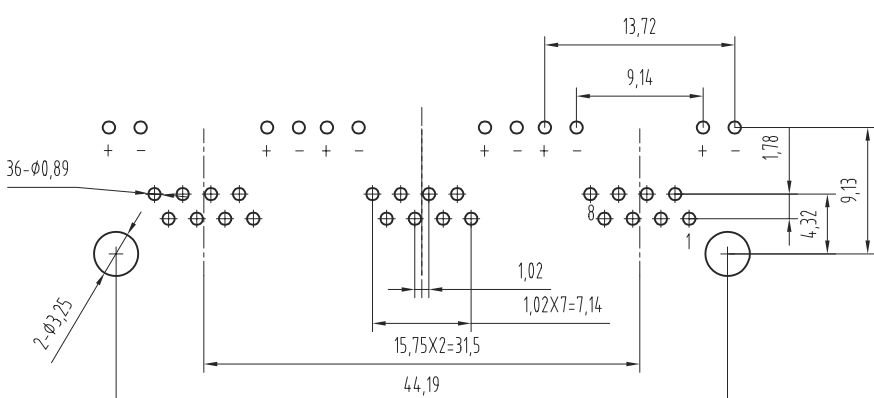
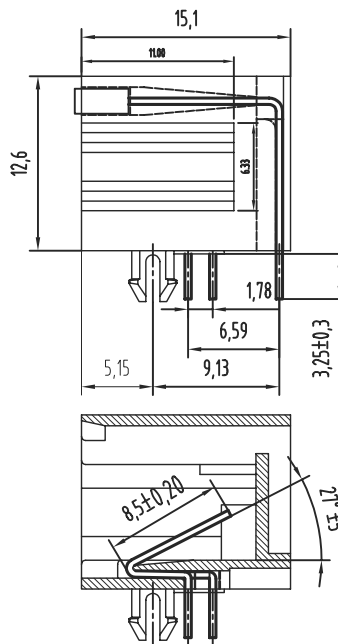
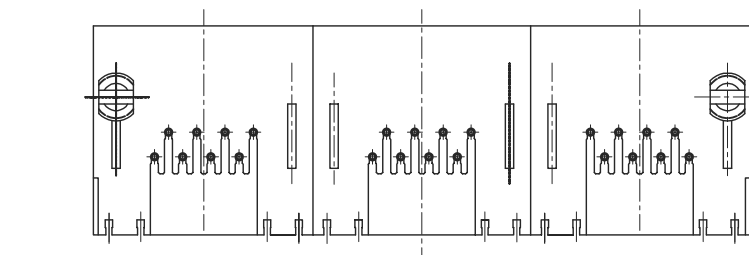
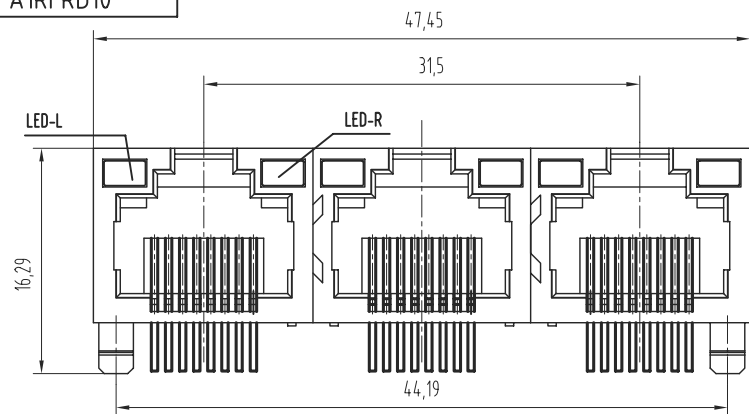
PART NUMBER:



PC Board Layout  
Component Side Shown

DETACHED LISTS	MM (INCH)	DFTO DANIEL	DATE 05/07/28
	TOLERANCES EXCEPT AS NOTED	CHKD XSY	DATE
	MM	MFO	DATE
	0 ± 0.15	APPLV	DATE
00 ± 0.075			
000 ± 0.05			
ANGLES ± 0.5	MATERIAL :		
	QTY :		
THIRD ANGLE PROJECTION	FINISH :		
	SCALE : 5:3		

<b>HONG YU ELECTRONIC CO., LTD</b>			
TITLE 5J SERIES 1X2 LED JACK			
DRAWING NO. TESJA1120		SIZE A3	REV 0
/PART NO.		SHEET OF	
DO NOT SCALE DRAWING			



PC Board Layout

Component Side Shown

NOTES:

MATERIAL :

- 1.HOUSING MATERIAL :PBT
- 2.CONTACT MATERIAL :PHOSPHOR BRONZE ∅0.46mm.
- 3.PLATING :GOLD PLATING OVER NICKEL.
- 4.LED :OPTION

ELECTRICAL:

- 1.VOLTAGE RATING :125 VAC RMS.
- 2.CURRENT RATING :1.5 AMP.
- 3.CONTACT RESISTANCE :30 MILLIOHMS MAX.
- 4.INSULATION RESISTANCE :500 MEGOHMS MIN @ 500V DC .
- 5.DIELECTRIC WITHSTANDING RESISTANCE :1000V AC RMS 50Hz. 1MIN.

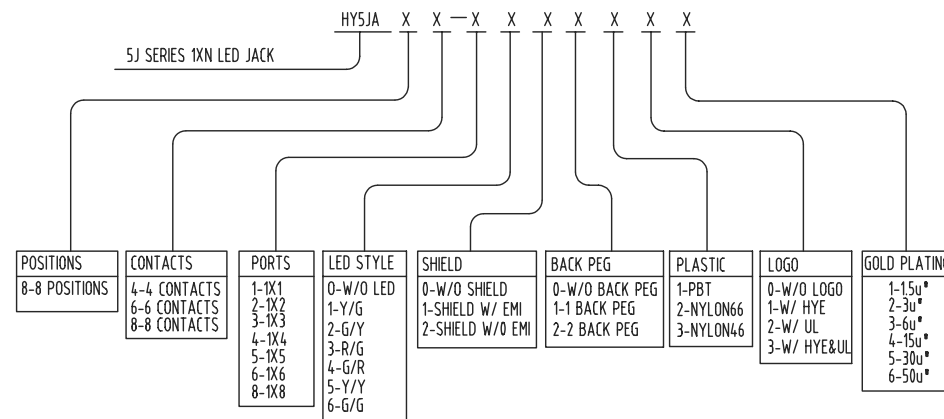
MECHANICAL:

- 1.DURRABILITY :750 CYCLES MIN.
- 2.PCB RETENTION PRE-SOLDER :1 LB MIN.

ENVIRONMENTAL:

- 1. STORAGE : -40°C~+85°C
- 2. OPERATION : -40°C TO 70°C.

PART NUMBER:



REVISION RECORD				
REV	ECO	DESCRIPTION	DRFT	CHKD
▲				

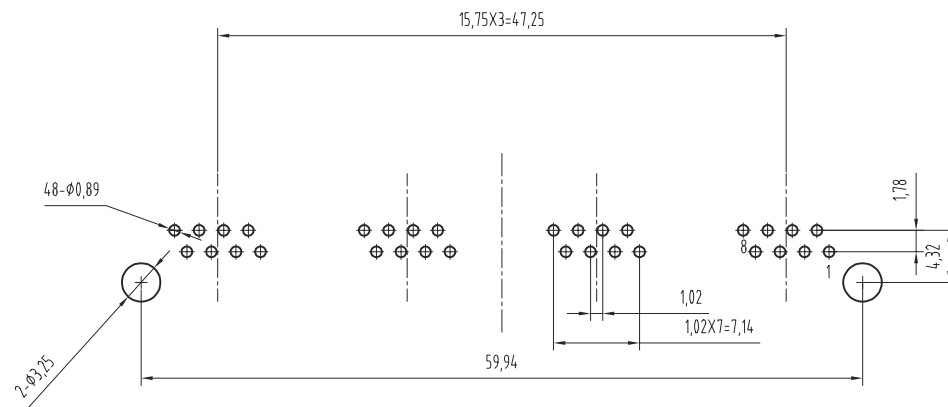
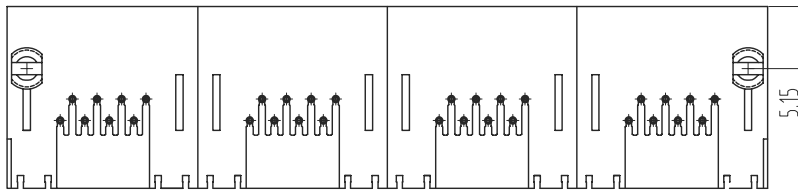
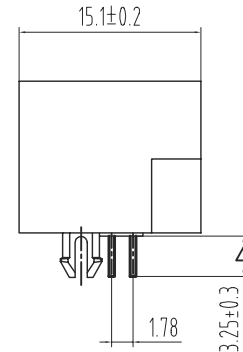
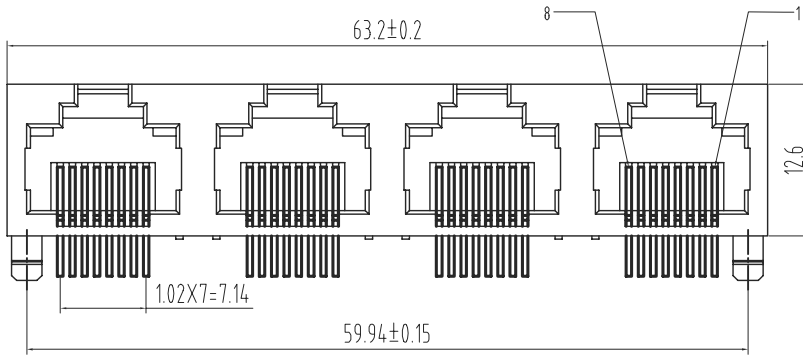


DETACHED LISTS	MM (INCH)	DFTO DANIEL	DATE 05/05/17
	TOLERANCES EXCEPT AS NOTED	CHKD XSY	DATE 06/07/28
	MM	MFO	DATE
	.0 ± 0.15 ±	APPLV	DATE
	.00 ± 0.075 ±		
0.00 ± 0.05 ±			
ANGLES ± 0.5	MATERIAL :		
	QTY :		
	FINISH :		
	SCALE : 5:3		

HONG YU ELECTRONIC CO., LTD			
TITLE			
5J SERIES 1X3 LED JACK			
DRAWING NO.	TESJA1120	SIZE	REV
/PART NO.		A3	0
DO NOT SCALE DRAWING		SHEET	OF

REV	ECO	DESCRIPTION	DRFT	CHKD
△				

distributed by  
**wittic**



NOTES:

MATERIAL :

- |                    |                                  |
|--------------------|----------------------------------|
| 1.HOUSING MATERIAL | :GLASS FILLED POLYESTER UL94V-0. |
| 2.CONTACT MATERIAL | :PHOSPHOR BRONZE $\phi$ 0.46mm.  |
| 3.PLATING          | :GOLD PLATING OVER NICKEL.       |
| 4.LED              | :OPTION                          |

ELECTRICAL:

- |                                      |                              |
|--------------------------------------|------------------------------|
| 1.VOLTAGE RATING                     | :125 VAC RMS.                |
| 2.CURRENT RATING                     | :1.5 AMP.                    |
| 3.CONTACT RESISTANCE                 | :30 MILLIOHMS MAX.           |
| 4.INSULATION RESISTANCE              | :500 MEGOHMS MIN @ 500V DC . |
| 5.DIELECTRIC WITHSTANDING RESISTANCE | :1000V AC RMS 50Hz. 1MIN.    |

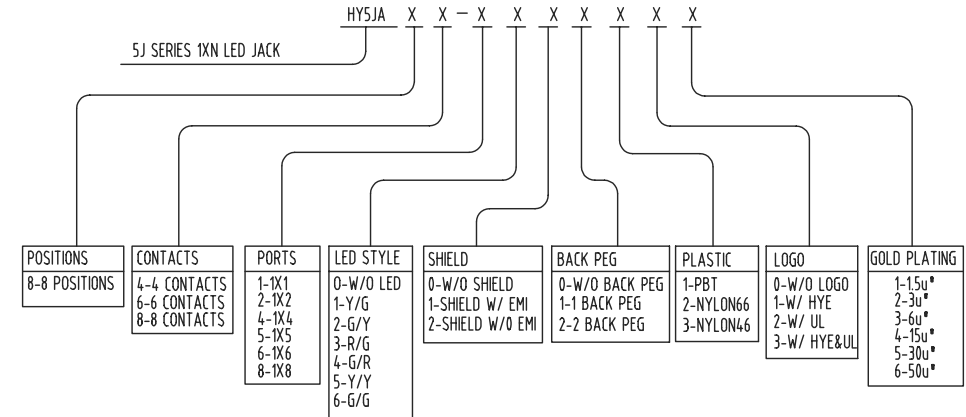
MECHANICAL:

- |                            |                  |
|----------------------------|------------------|
| 1.DURRABILITY              | :750 CYCLES MIN. |
| 2.PCB RETENTION PRE-SOLDER | :1 LB MIN.       |

ENVIRONMENTAL:

- |              |  |
|--------------|--|
| 1. STORAGE   | : -40 $^{\circ}$ ~+85 $^{\circ}$ C     |
| 2. OPERATION | : -40 $^{\circ}$ C TO 70 $^{\circ}$ C. |

PART NUMBER:

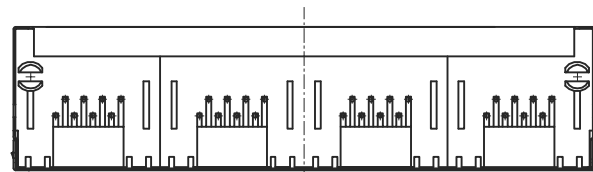
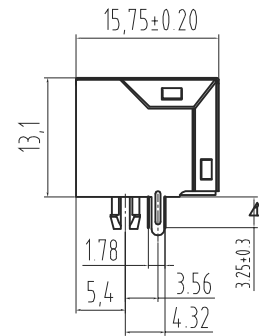
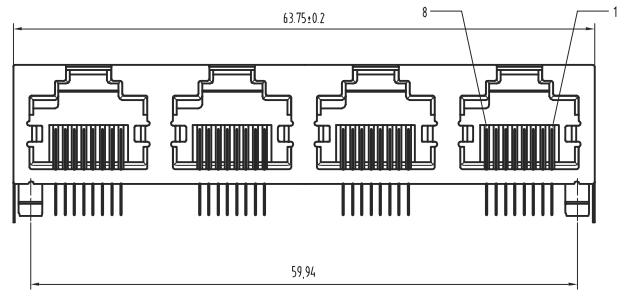


PC Board Layout  
Component Side Shown

DETACHED LISTS	MM (INCH)	DFTO DANIEL	DATE 05/09/09	HONG YU ELECTRONIC CO., LTD			
	TOLERANCES EXCEPT AS NOTED	CHKD XSY	DATE 06/07/28				
	MM	MFO	DATE	TITLE	5J SERIES 1X4 LED JACK	SIZE	REV
	.0 ± 0.15	APVVL	DATE		(HYSJA88-4000102)	A3	0
	.00 ± 0.015	MATERIAL :	QTY :	DRAWING NO.			
.000 ± 0.05	ANGLES ± 0.5	FINISH :	/PART NO.				
	THIRD ANGLE PROJECTION	SCALE : 1:1	DO NOT SCALE DRAWING	SHEET	OF		

REV	ECO	DESCRIPTION	DRFT	CHWD
Δ				

distributed by  
**WITTIG**



NOTES:

MATERIAL :

- 1.HOUSING MATERIAL :GLASS FILLED POLYESTER UL94V-0.
- 2.CONTACT MATERIAL :PHOSPHOR BRONZE  $\phi 0.46$ mm.
- 3.PLATING :GOLD PLATING OVER NICKEL.
- 4.SHIELD :0.2mm THICKNESS COPPER ALLOY WITH NICKEL PLATED.
- 5.LED :OPTION

ELECTRICAL:

- 1.VOLTAGE RATING :125 VAC RMS.
- 2.CURRENT RATING :1.5 AMP.
- 3.CONTACT RESISTANCE :30 MILLIOHMS MAX.
- 4.INSULATION RESISTANCE :500 MEGOHMS MIN @ 500V DC .
- 5.DIELECTRIC WITHSTANDING RESISTANCE :1000V AC RMS 50Hz. 1MIN.

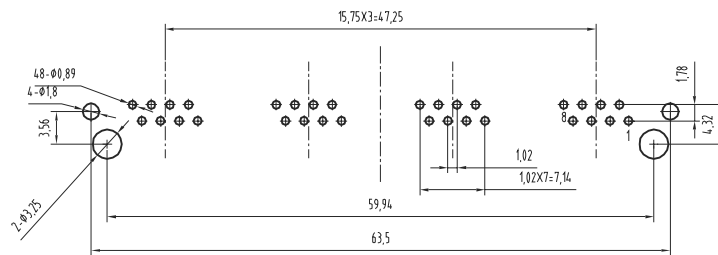
MECHANICAL:

- 1.DURRABILITY :750 CYCLES MIN.
- 2.PCB RETENTION PRE-SOLDER :1 LB MIN.

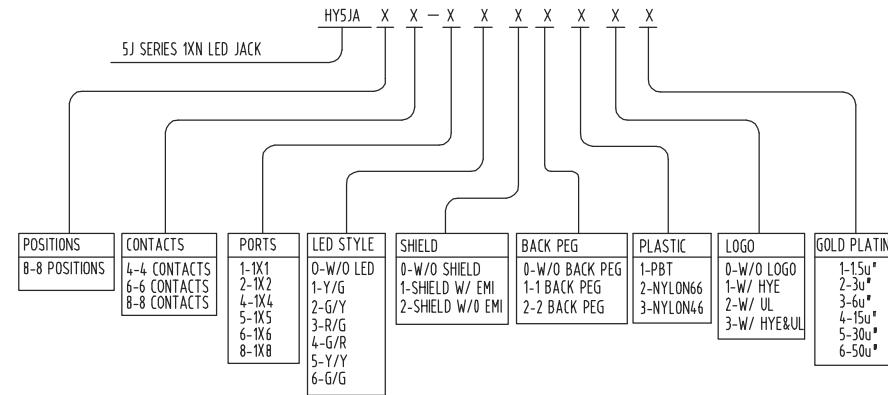
ENVIRONMENTAL:

- 1. STORAGE : -40°C~+85°C
- 2. OPERATION : -40°C TO 70°C.

PART NUMBER:



PC Board Layout  
Component Side Shown



DEFINED LISTS	MM INCH	DRFT DANIEL	DATE 05/09/09	HONG YU ELECTRONIC CO., LTD		
	TOLERANCES EXCEPT AS NOTED	CHWD XSY	DATE 06/07/28			
	MM 0 ± 0.15 0.1 ± 0.075 0.2 ± 0.15	MF D DATE	DATE	DRAWING NO. /PART NO.		
	ANGLES ± 0.5	APPVL DATE	MATERIAL :			
	THIRD ANGLE PROJECTION	Q.T.Y. :	FINISH :	REV 0		
	SCALE : 1:1		DO NOT SCALE DRAWING			
						SHEET OF

REV	ECO	DESCRIPTION	DRFT	CHKD
△				

distributed by  
**wittic**

NOTES:

MATERIAL :

- |                    |                                  |
|--------------------|----------------------------------|
| 1.HOUSING MATERIAL | :GLASS FILLED POLYESTER UL94V-0. |
| 2.CONTACT MATERIAL | :PHOSPHOR BRONZE $\phi$ 0.46mm.  |
| 3.PLATING          | :GOLD PLATING OVER NICKEL.       |
| 4.LED              | :OPTION                          |

ELECTRICAL:

- |                                      |                              |
|--------------------------------------|------------------------------|
| 1.VOLTAGE RATING                     | :125 VAC RMS.                |
| 2.CURRENT RATING                     | :1.5 AMP.                    |
| 3.CONTACT RESISTANCE                 | :30 MILLIOHMS MAX.           |
| 4.INSULATION RESISTANCE              | :500 MEGOHMS MIN @ 500V DC . |
| 5.DIELECTRIC WITHSTANDING RESISTANCE | :1000V AC RMS 50HZ. 1MIN.    |

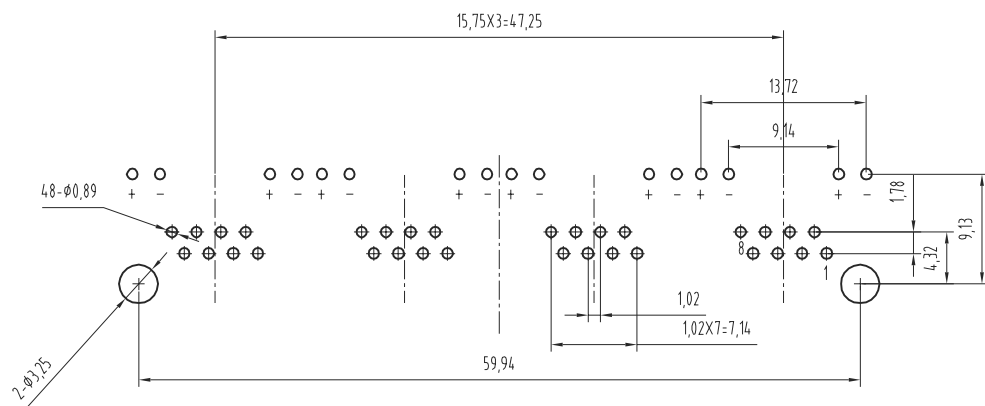
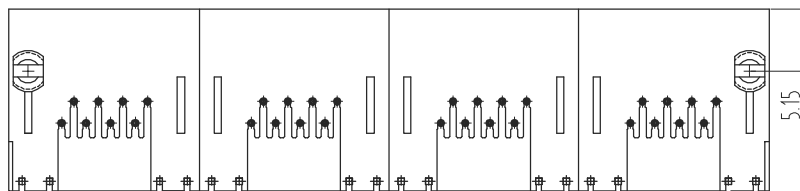
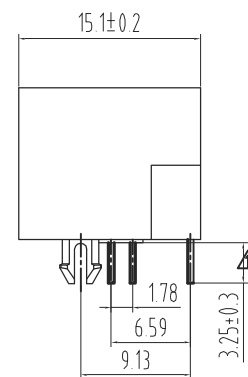
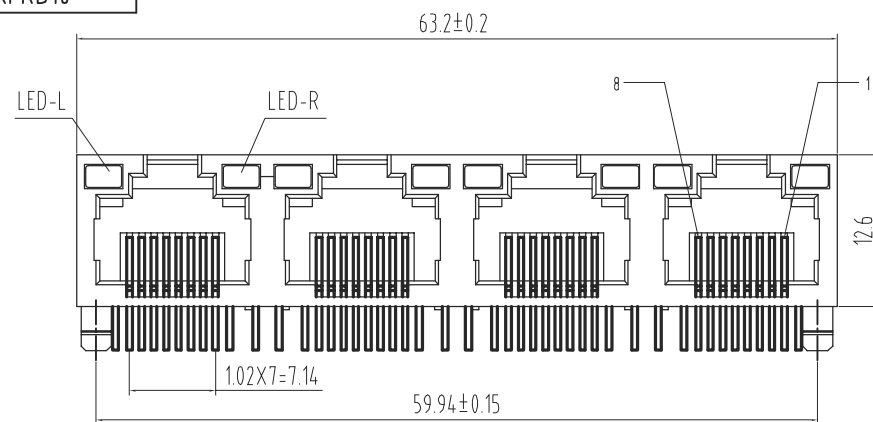
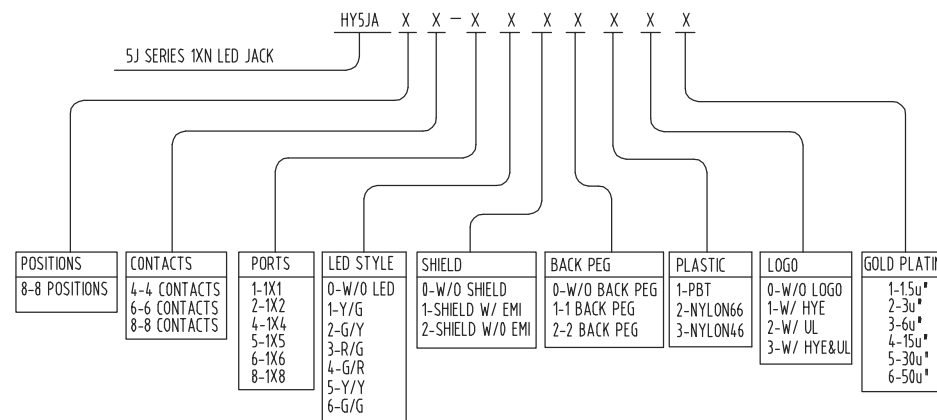
MECHANICAL:

- |                            |                  |
|----------------------------|------------------|
| 1.DURRABILITY              | :750 CYCLES MIN. |
| 2.PCB RETENTION PRE-SOLDER | :1 LB MIN.       |

ENVIRONMENTAL:

- |              |                  |
|--------------|------------------|
| 1. STORAGE   | : -40°C~+85°C    |
| 2. OPERATION | : -40°C TO 70°C. |

PART NUMBER:



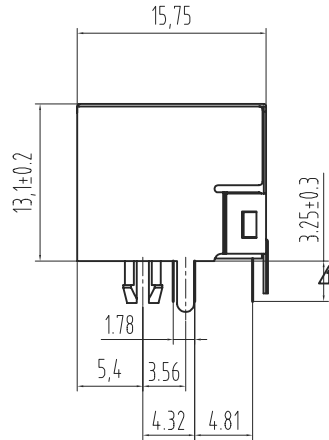
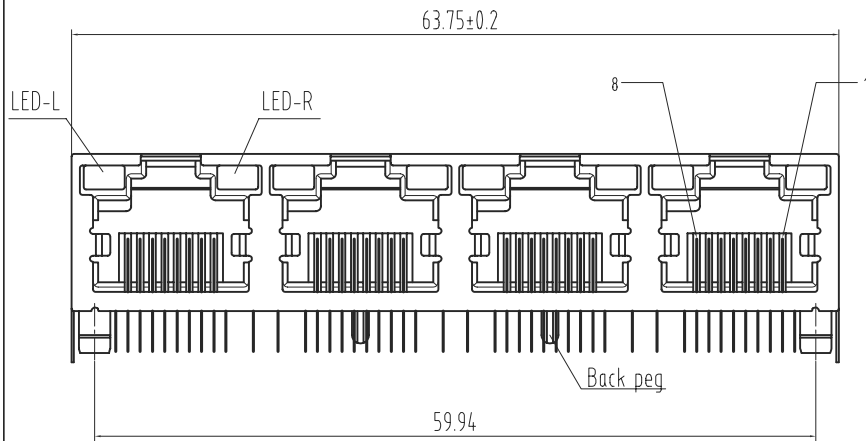
PC Board Layout  
Component Side Shown

DEFINED USES MM INCH	DR TO	DANIEL	DATE	05/09/09	HONG YU ELECTRONIC CO., LTD	TITLE 5J SERIES 1X4 LED JACK	DRAWING NO. /PART NO.	SIZE A3	REV 0
	CHKD	XSY	DATE	06/07/28					
	TOLERANCES EXCEPT AS NOTED	MFD	DATE						
	MM 0.1 ± 0.15 0.2 ± 0.15 0.5 ± 0.15	APPL	DATE						
	MATERIAL :				DO NOT SCALE DRAWING		SHEET OF		
	ANGLES : 0.5	QTY :							
	THIRD ANGLE PROJECTION	FINISH :							
		SCALE : 1:1							



REV	ECO	DESCRIPTION	DRFT	CHKD
△				

distributed by  
**wittic**



NOTES:

MATERIAL :

- |                     |  |
|---------------------|--|
| 1. HOUSING MATERIAL | : GLASS FILLED POLYESTER UL94V-0.                  |
| 2. CONTACT MATERIAL | : PHOSPHOR BRONZE $\phi$ 0.46mm.                   |
| 3. PLATING          | : GOLD PLATING OVER NICKEL.                        |
| 4. SHIELD           | : 0.2mm THICKNESS COPPER ALLOY WITH NICKEL PLATED. |
| 5. LED              | : OPTION   |

ELECTRICAL:

- |                                       |                               |
|---------------------------------------|-------------------------------|
| 1. VOLTAGE RATING                     | : 125 VAC RMS.                |
| 2. CURRENT RATING                     | : 1.5 AMP.                    |
| 3. CONTACT RESISTANCE                 | : 30 MILLIOHMS MAX.           |
| 4. INSULATION RESISTANCE              | : 500 MEGOHMS MIN @ 500V DC . |
| 5. DIELECTRIC WITHSTANDING RESISTANCE | : 1000V AC RMS 50Hz. 1MIN.    |

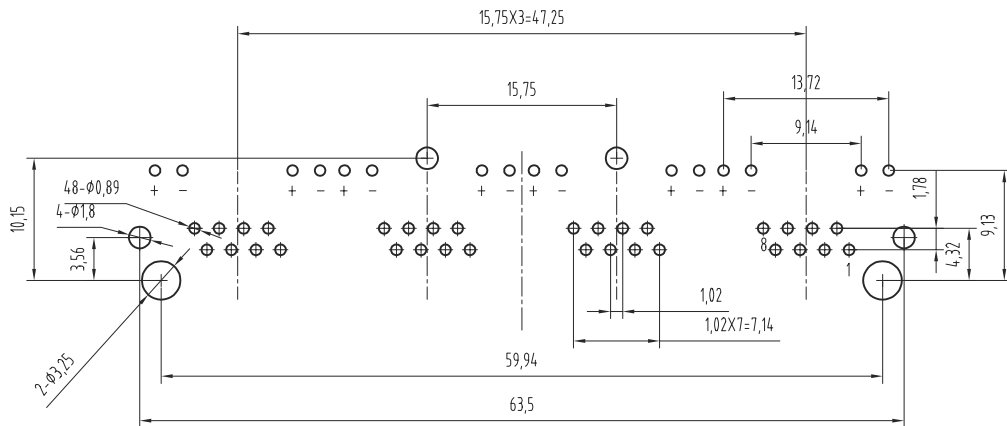
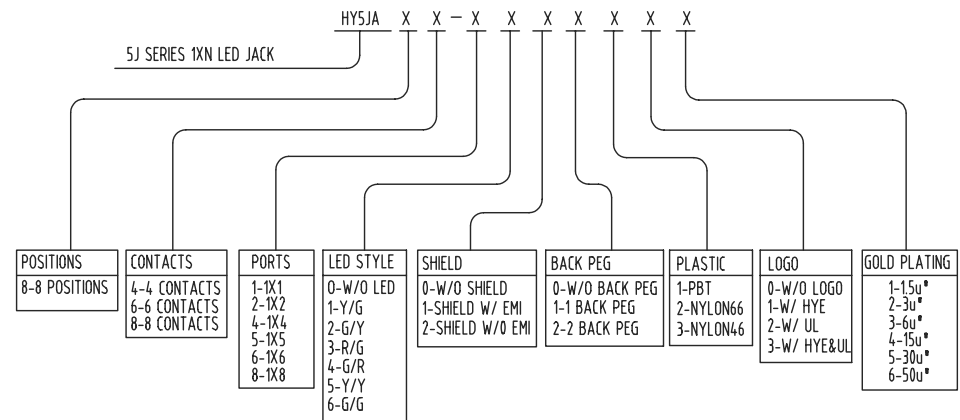
MECHANICAL:

- |                             |                   |
|-----------------------------|-------------------|
| 1. DURRABILITY              | : 750 CYCLES MIN. |
| 2. PCB RETENTION PRE-SOLDER | : 1 LB MIN.       |

ENVIRONMENTAL:

- |              |                  |
|--------------|------------------|
| 1. STORAGE   | : -40°C~+85°C    |
| 2. OPERATION | : -40°C TO 70°C. |

PART NUMBER:

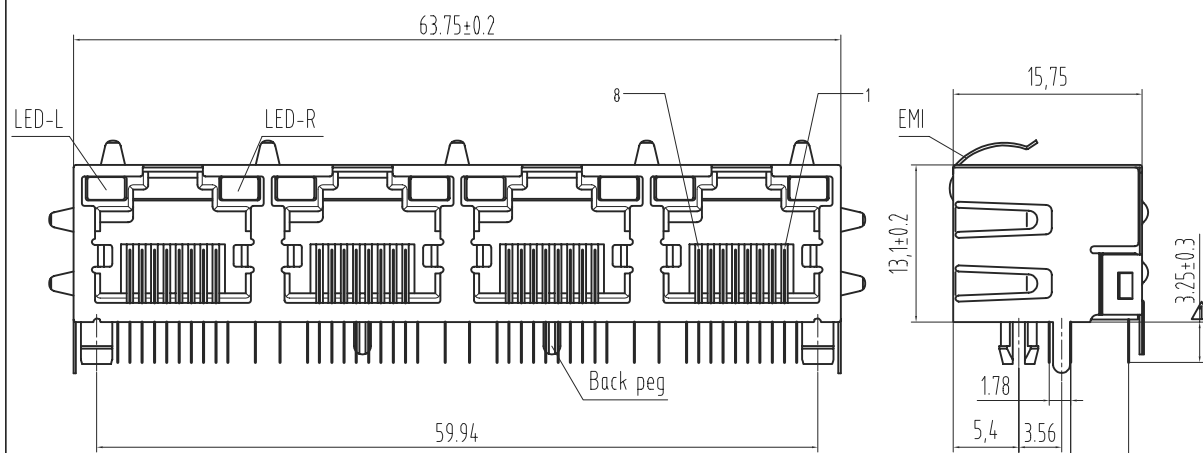


PC Board Layout  
Component Side Shown

DETACHED LISTS MM (INCH) TOLERANCES EXCEPT AS NOTED MM .0 ± 0.15 ± .00 ± 0.015 ± .000 ± 0.05 ± ANGLES ± 0.5 THIRD ANGLE PROJECTION	DFTO: DANIEL DATE: 05/09/09 CHKO: XSY DATE: 06/07/28 MFO: DATE: APPVL: DATE:	HONG YU ELECTRONIC CO., LTD TITLE 5J SERIES 1X4 W/O LED JACK DRAWING NO. /PART NO. SIZE A3 REV 0 DO NOT SCALE DRAWING SHEET OF
	MATERIAL :	
	QTY :	
	FINISH :	
	SCALE : 1:1	

REV	ECO	DESCRIPTION	DRFT	CHKD
Δ				

distributed by  
**wittic**



NOTES:

MATERIAL :

- 1.HOUSING MATERIAL :GLASS FILLED POLYESTER UL94V-0.
- 2.CONTACT MATERIAL :PHOSPHOR BRONZE  $\phi$ 0.46mm.
- 3.PLATING :GOLD PLATING OVER NICKEL.
- 4.SHIELD :0.2mm THICKNESS COPPER ALLOY WITH NICKEL PLATED.
- 5.LED :OPTION

ELECTRICAL:

- 1.VOLTAGE RATING :125 VAC RMS.
- 2.CURRENT RATING :1.5 AMP.
- 3.CONTACT RESISTANCE :30 MILLIOHMS MAX.
- 4.INSULATION RESISTANCE :500 MEGOHMS MIN @ 500V DC .
- 5.DIELECTRIC WITHSTANDING RESISTANCE :1000V AC RMS 50Hz. 1MIN.

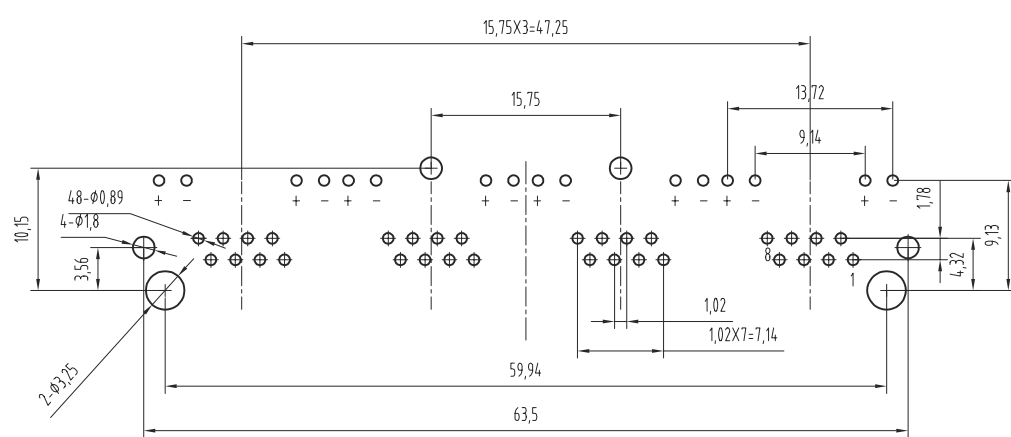
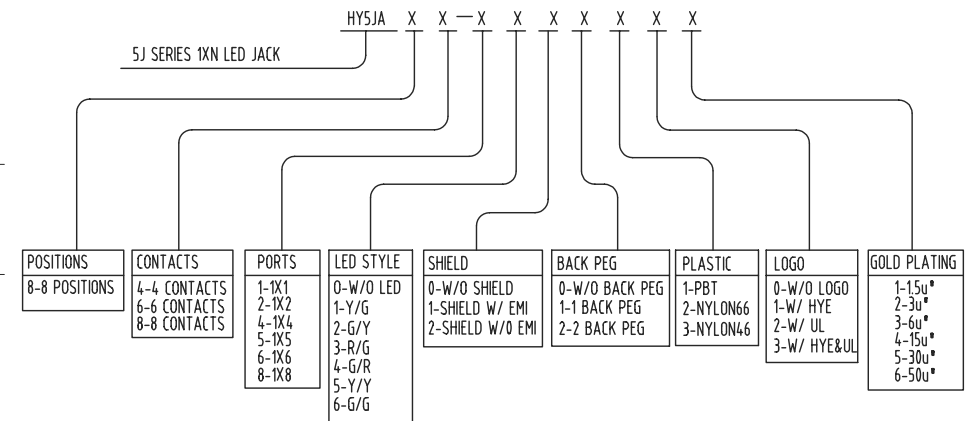
MECHANICAL:

- 1.DURRABILITY :750 CYCLES MIN.
- 2.PCB RETENTION PRE-SOLDER :1 LB MIN.

ENVIRONMENTAL:

- 1. STORAGE : -40°C~+85°C
- 2. OPERATION : -40°C TO 70°C.

PART NUMBER:



PC Board Layout  
Component Side Shown

DETACHED LISTS MM (INCH) TOLERANCES EXCEPT AS NOTED MM .0 ± 0.15 * .00 ± 0.015 * .000 ± 0.05 * ANGLES ± 0.5 THIRD ANGLE PROJECTION	DFTO: DANIEL DATE: 05/05/17 CHKO: XSY DATE: 06/07/28 MFO: DATE: APPVL: DATE:	HONG YU ELECTRONIC CO., LTD TITLE 5J SERIES 1X4 LED JACK DRAWING NO. TESJA1140 SIZE A3 REV 0 /PART NO. DO NOT SCALE DRAWING SHEET OF
	MATERIAL : QTY : FINISH : SCALE : 5:3	
	MFO: DATE: APPVL: DATE:	
	MATERIAL : QTY : FINISH : SCALE : 5:3	

REV	ECO	DESCRIPTION	DRFT	CHKD
△				

distributed by  
**wittic**

NOTES:

MATERIAL :

- 1.HOUSING MATERIAL :PA66
- 2.CONTACT MATERIAL :PHOSPHOR BRONZE  $\phi 0.46\text{mm}$ .
- 3.PLATING :GOLD PLATING OVER NICKEL.
- 4.LED :OPTION

ELECTRICAL:

- 1.VOLTAGE RATING :125 VAC RMS.
- 2.CURRENT RATING :1.5 AMP.
- 3.CONTACT RESISTANCE :30 MILLIOHMS MAX.
- 4.INSULATION RESISTANCE :500 MEGOHMS MIN @ 500V DC .
- 5.DIELECTRIC WITHSTANDING RESISTANCE :1000V AC RMS 50Hz. 1MIN.

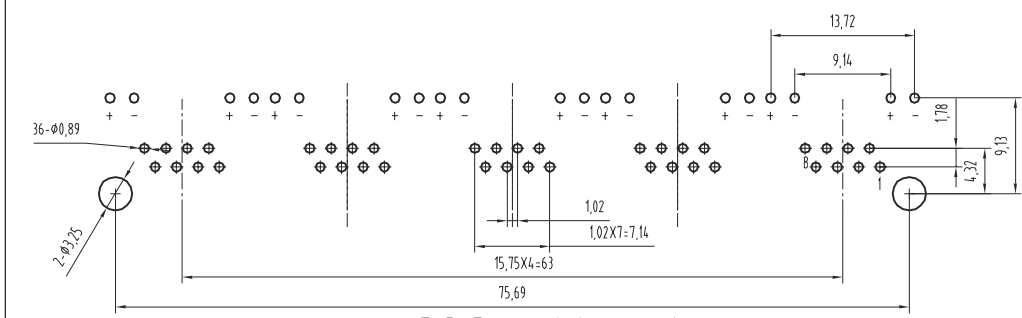
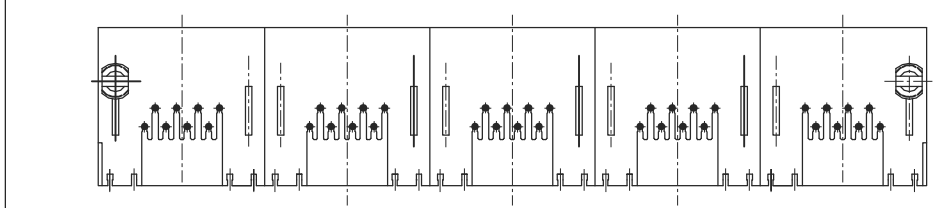
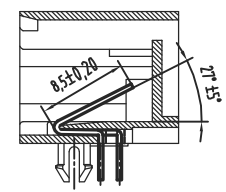
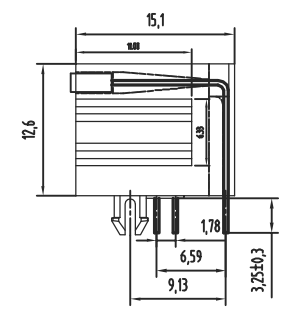
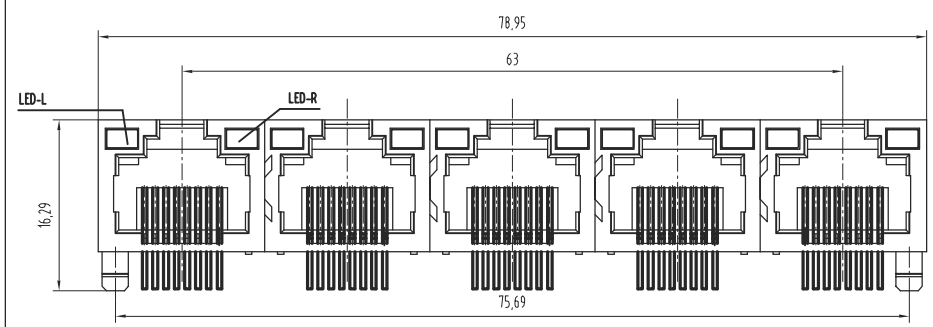
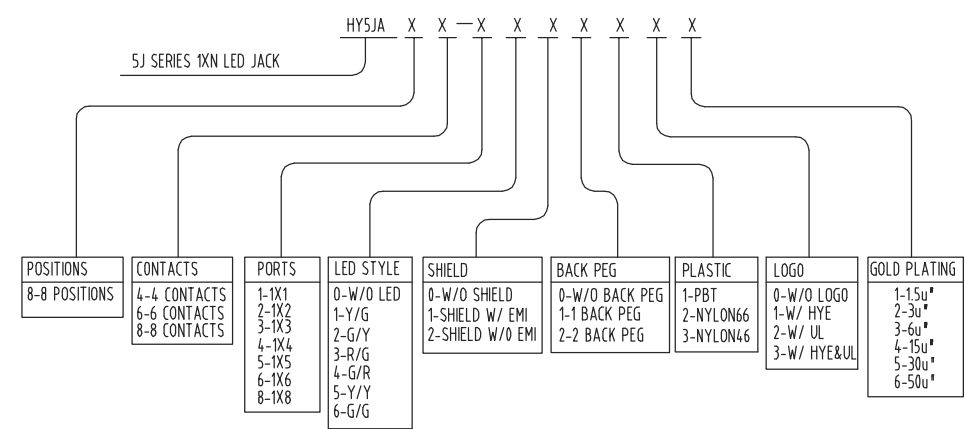
MECHANICAL:

- 1.DURRABILITY :750 CYCLES MIN.
- 2.PCB RETENTION PRE-SOLDER :1 LB MIN.

ENVIRONMENTAL:

- 1. STORAGE : -40°C~+85°C
- 2. OPERATION : -40°C TO 70°C.

PART NUMBER:



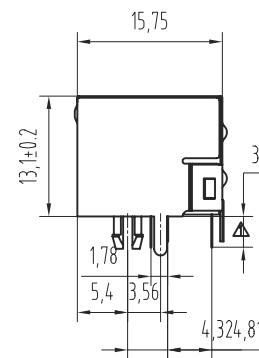
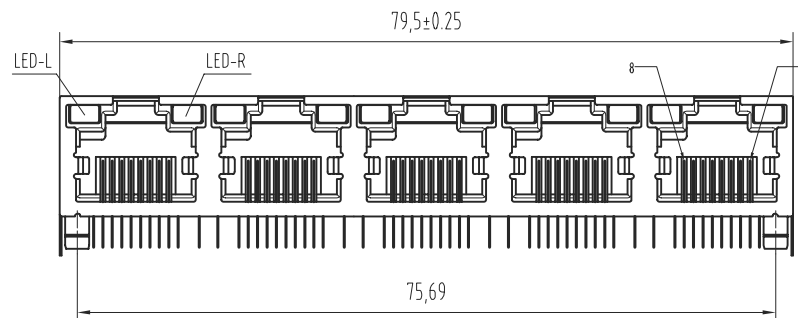
PC Board Layout  
Component Side Shown

DEFINED LISTS	MM INCH	BFIG DANIEL	DATE 05/15/17
	TOLERANCES EXCEPT AS NOTED	CHKD XSY	DATE 06/07/28
	MM 0 ± 0.15 0.1 ± 0.15 0.15 ± 0.15	MFD	DATE
	ANGLES ± 0.5	APPLV	DATE
	THIRD ANGLE PROJECTION	MATERIAL :	QTY :
		SCALE : 5:3	

HONG YU ELECTRONIC CO., LTD			
TITLE 5J SERIES 1X5 LED JACK			
DRAWING NO.	TESJA1120	SIZE	REV
/PART NO.		A3	0
DO NOT SCALE DRAWING		SHEET	OF

REV	ECO	DESCRIPTION	DRFT	CHKD
Δ				

distributed by  
**wittic**



NOTES:

MATERIAL :

- |                    |   |
|--------------------|---|
| 1.HOUSING MATERIAL | :GLASS FILLED POLYESTER UL94V-0.                  |
| 2.CONTACT MATERIAL | :PHOSPHOR BRONZE φ0.46mm.                         |
| 3.PLATING          | :GOLD PLATING OVER NICKEL.                        |
| 4.SHIELD           | :0.2mm THICKNESS COPPER ALLOY WITH NICKEL PLATED. |
| 5.LED              | :OPTION   |

ELECTRICAL:

- |                                      |                              |
|--------------------------------------|------------------------------|
| 1.VOLTAGE RATING                     | :125 VAC RMS.                |
| 2.CURRENT RATING                     | :1.5 AMP.                    |
| 3.CONTACT RESISTANCE                 | :30 MILLIOHMS MAX.           |
| 4.INSULATION RESISTANCE              | :500 MEGOHMS MIN @ 500V DC . |
| 5.DIELECTRIC WITHSTANDING RESISTANCE | :1000V AC RMS 50Hz. 1MIN.    |

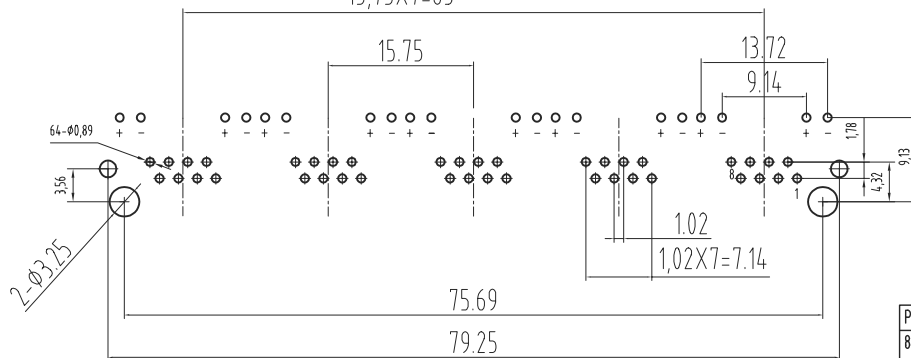
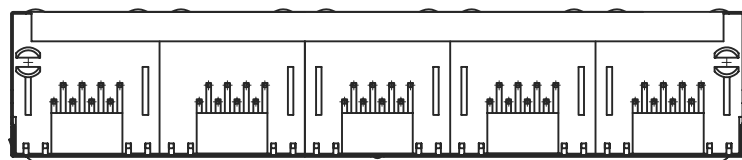
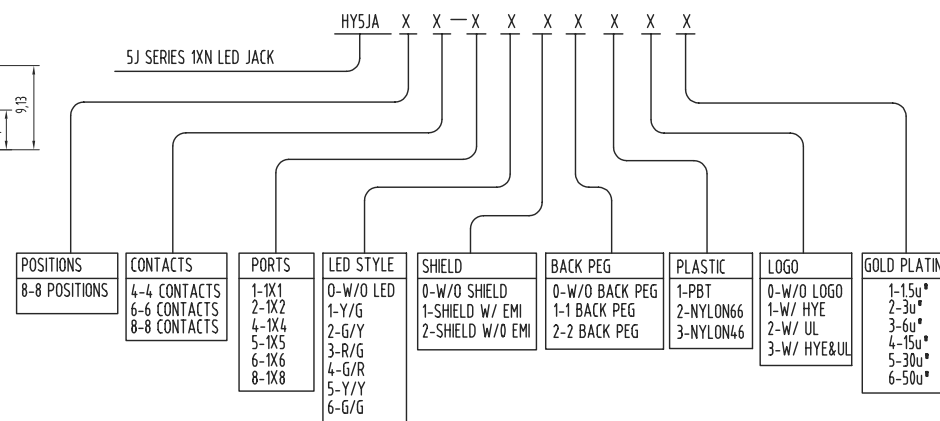
MECHANICAL:

- |                            |                  |
|----------------------------|------------------|
| 1.DURRABILITY              | :750 CYCLES MIN. |
| 2.PCB RETENTION PRE-SOLDER | :1 LB MIN.       |

ENVIRONMENTAL:

- |              |                  |
|--------------|------------------|
| 1. STORAGE   | : -40°C~+85°C    |
| 2. OPERATION | : -40°C TO 70°C. |

PART NUMBER:

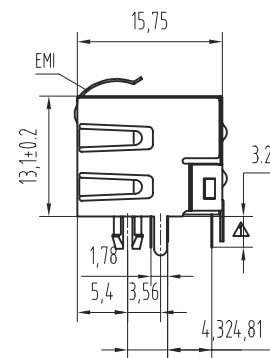
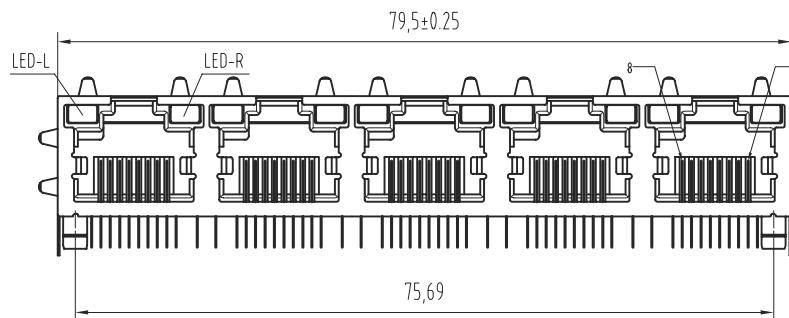


PC Board Layout  
Component Side Shown  
PC Board Layout  
Component Side Shown

DETACHED LISTS MM (INCH) TOLERANCES EXCEPT AS NOTED MM .0 ± 0.15 ± .00 ± 0.015 ± .000 ± 0.05 ± ANGLES ± 0.5 THIRD ANGLE PROJECTION	DFTO: DANIEL DATE: 05/05/17 CHKO: XSY DATE: 06/07/28 MFO: DATE: APPVL: DATE:	HONG YU ELECTRONIC CO., LTD TITLE: 5J SERIES 1XN LED JACK		
	MATERIAL: QTY: FINISH:			DRAWING NO. TESJA1160 /PART NO.
	SCALE: 5:3	DO NOT SCALE DRAWING	SHEET OF	OF

REV	ECO	DESCRIPTION	DRFT	CHKD
Δ				

distributed by  
**wittic**



NOTES:

MATERIAL :

- |                    |   |
|--------------------|---|
| 1.HOUSING MATERIAL | :GLASS FILLED POLYESTER UL94V-0.                  |
| 2.CONTACT MATERIAL | :PHOSPHOR BRONZE $\phi$ 0.46mm.                   |
| 3.PLATING          | :GOLD PLATING OVER NICKEL.                        |
| 4.SHIELD           | :0.2mm THICKNESS COPPER ALLOY WITH NICKEL PLATED. |
| 5.LED              | :OPTION   |

ELECTRICAL:

- |                                      |                              |
|--------------------------------------|------------------------------|
| 1.VOLTAGE RATING                     | :125 VAC RMS.                |
| 2.CURRENT RATING                     | :1.5 AMP.                    |
| 3.CONTACT RESISTANCE                 | :30 MILLIOHMS MAX.           |
| 4.INSULATION RESISTANCE              | :500 MEGOHMS MIN @ 500V DC . |
| 5.DIELECTRIC WITHSTANDING RESISTANCE | :1000V AC RMS 50Hz. 1MIN.    |

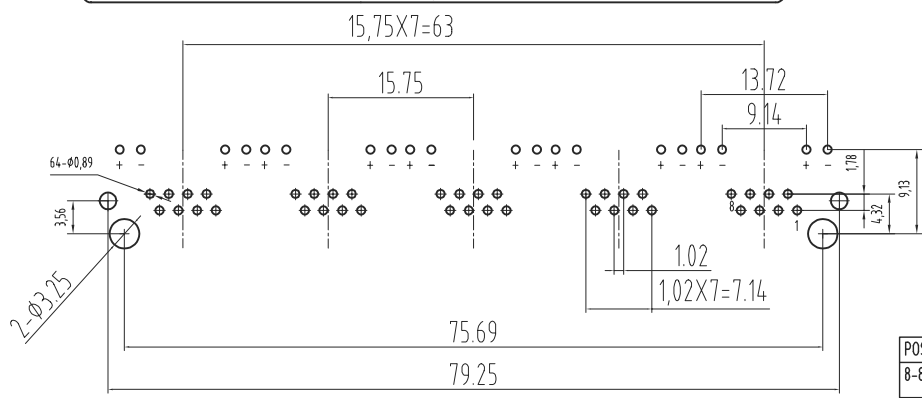
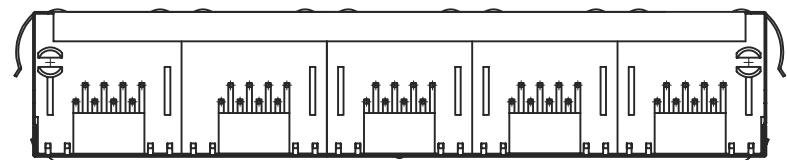
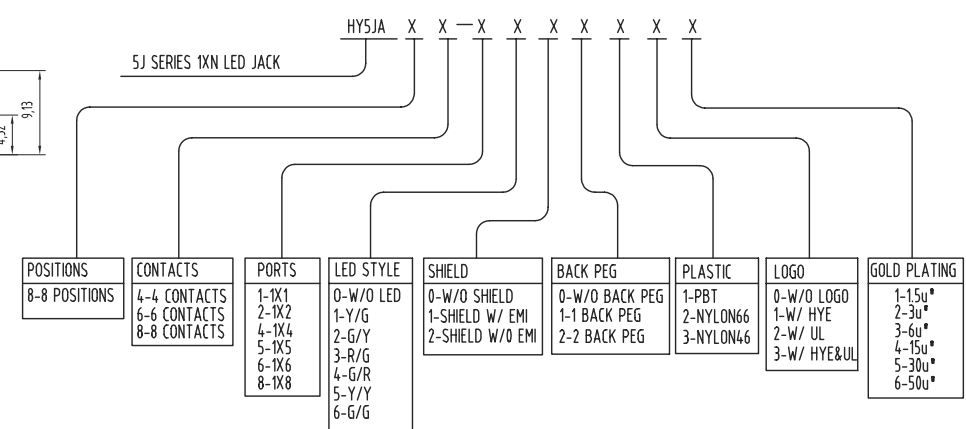
MECHANICAL:

- |                            |                  |
|----------------------------|------------------|
| 1.DURRABILITY              | :750 CYCLES MIN. |
| 2.PCB RETENTION PRE-SOLDER | :1 LB MIN.       |

ENVIRONMENTAL:

- |              |                  |
|--------------|------------------|
| 1. STORAGE   | : -40°C~+85°C    |
| 2. OPERATION | : -40°C TO 70°C. |

PART NUMBER:



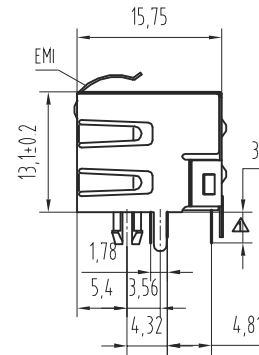
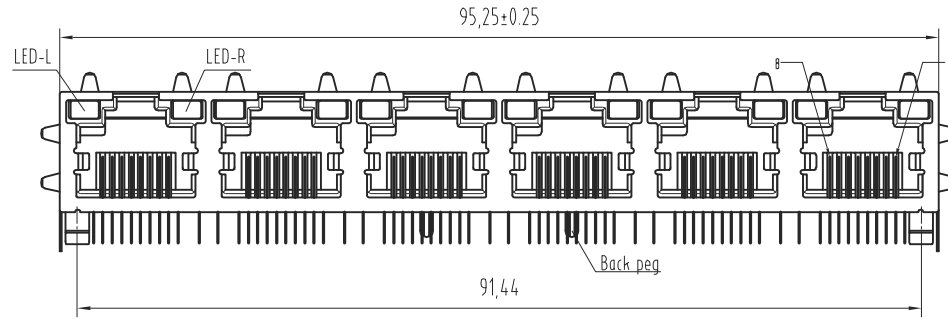
PC Board Layout  
Component Side Shown  
PC Board Layout  
Component Side Shown

DETACHED LISTS	MM (INCH)	DFTO DANIEL DATE 05/05/17
	TOLERANCES EXCEPT AS NOTED	CHKD XSY DATE 06/07/28
	MM	MFO DATE
	0 ± 0.15	APPLV DATE
	00 ± 0.075	
000 ± 0.05		
ANGLES ± 0.5	MATERIAL :	
	QTY :	
	FINISH :	
THIRD ANGLE PROJECTION	SCALE : 5:3	

HONG YU ELECTRONIC CO., LTD		
TITLE 5J SERIES 1XN LED JACK		
DRAWING NO. TESJA1160	SIZE A3	REV 0
/PART NO.	SHEET OF	
DO NOT SCALE DRAWING		

REV	ECO	DESCRIPTION	DRFT	CHWD
Δ				

distributed by  
**wittic**



NOTES:

MATERIAL :

- |                    |   |
|--------------------|---|
| 1.HOUSING MATERIAL | :GLASS FILLED POLYESTER UL94V-0.                  |
| 2.CONTACT MATERIAL | :PHOSPHOR BRONZE $\phi$ 0.46mm.                   |
| 3.PLATING          | :GOLD PLATING OVER NICKEL.                        |
| 4.SHIELD           | :0.2mm THICKNESS COPPER ALLOY WITH NICKEL PLATED. |
| 5.LED              | :OPTION   |

ELECTRICAL:

- |                                      |                              |
|--------------------------------------|------------------------------|
| 1.VOLTAGE RATING                     | :125 VAC RMS.                |
| 2.CURRENT RATING                     | :1.5 AMP.                    |
| 3.CONTACT RESISTANCE                 | :30 MILLIOHMS MAX.           |
| 4.INSULATION RESISTANCE              | :500 MEGOHMS MIN @ 500V DC . |
| 5.DIELECTRIC WITHSTANDING RESISTANCE | :1000V AC RMS 50Hz. 1MIN.    |

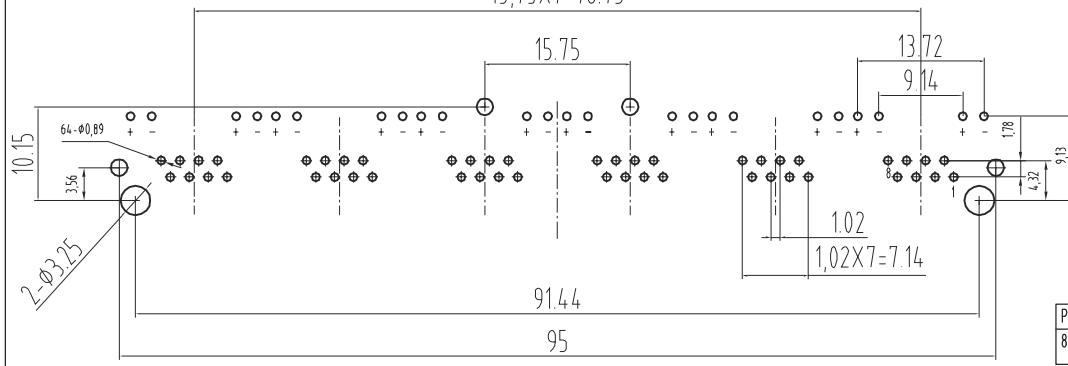
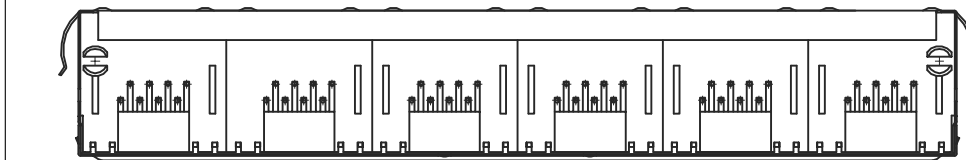
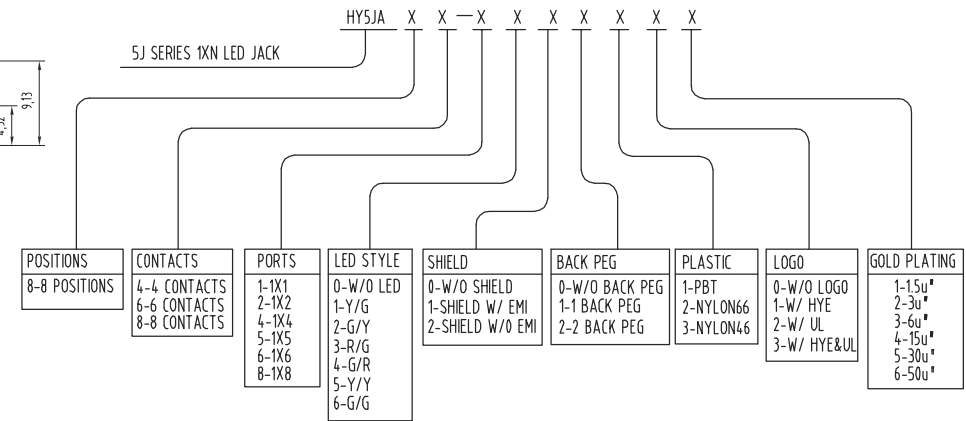
MECHANICAL:

- |                            |                  |
|----------------------------|------------------|
| 1.DURRABILITY              | :750 CYCLES MIN. |
| 2.PCB RETENTION PRE-SOLDER | :1 LB MIN.       |

ENVIRONMENTAL:

- |              |                  |
|--------------|------------------|
| 1. STORAGE   | : -40°C~+85°C    |
| 2. OPERATION | : -40°C TO 70°C. |

PART NUMBER:

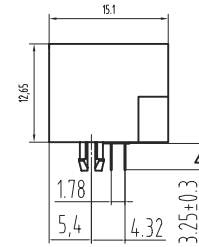
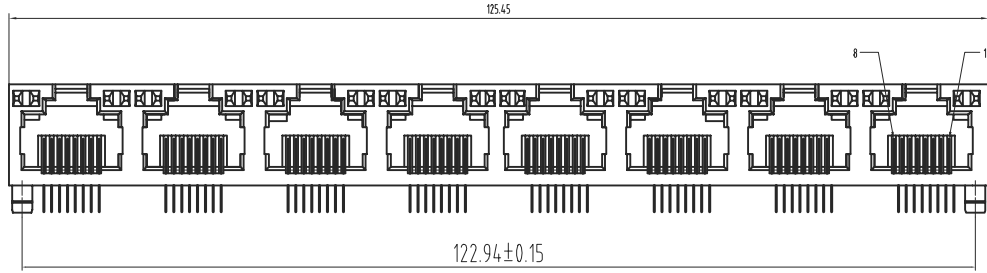


PC Board Layout  
Component Side Shown  
PC Board Layout  
Component Side Shown

DEFINED LIST		BFG		DATE		TITLE	
MM	INCH	DANIEL	05/15/17	HONG YU ELECTRONIC CO., LTD		5J SERIES 1XN LED JACK	
TOLERANCES EXCEPT AS NOTED		CHWD	06/07/28	DRAWING NO. TESJA1160		SIZE	REV
MM	:	MFID	DATE	/PART NO.		A3	0
0 ± 0.15	:	APPLV	DATE	DO NOT SCALE DRAWING		SHEET OF	
00 ± 0.15	:	MATERIAL :					
000 ± 0.15	:	Q.T.Y :					
ANGLES ± 0.5		FINISH :					
THIRD ANGLE PROJECTION		SCALE : 5:3					

REVISION RECORD				
REV	ECO	DESCRIPTION	DRFT	CHKD
Δ				

distributed by  
**wittic**



NOTES:

MATERIAL :

- |                     |                                   |
|---------------------|-----------------------------------|
| 1. HOUSING MATERIAL | : GLASS FILLED POLYESTER UL94V-0. |
| 2. CONTACT MATERIAL | : PHOSPHOR BRONZE Ø0.46mm.        |
| 3. PLATING          | : GOLD PLATING OVER NICKEL.       |

ELECTRICAL:

- |                                       |                               |
|---------------------------------------|-------------------------------|
| 1. VOLTAGE RATING                     | : 125 VAC RMS.                |
| 2. CURRENT RATING                     | : 1.5 AMP.                    |
| 3. CONTACT RESISTANCE                 | : 30 MILLIOHMS MAX.           |
| 4. INSULATION RESISTANCE              | : 500 MEGOHMS MIN @ 500V DC . |
| 5. DIELECTRIC WITHSTANDING RESISTANCE | : 1000V AC RMS 50Hz. 1MIN.    |

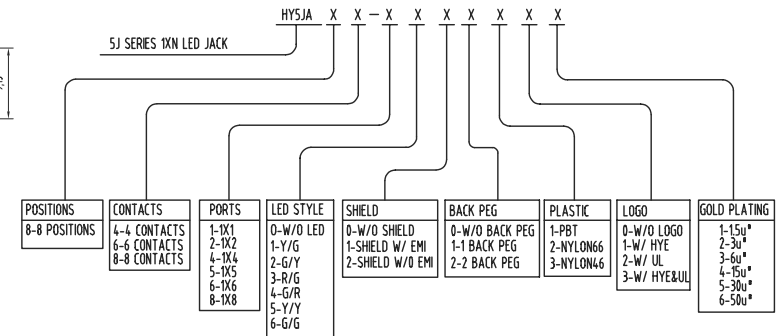
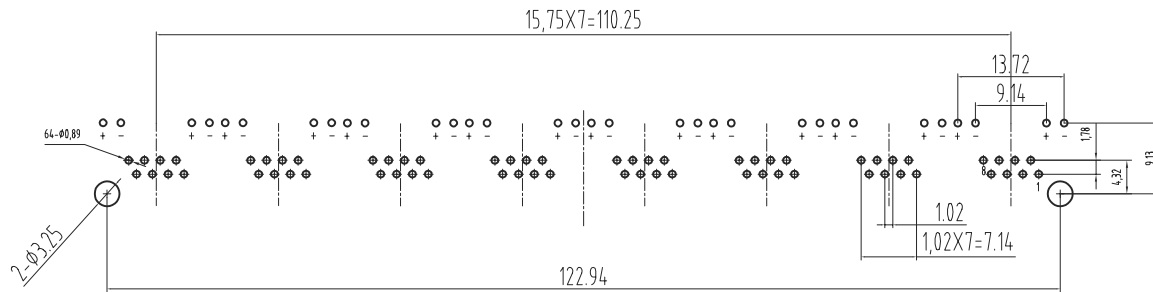
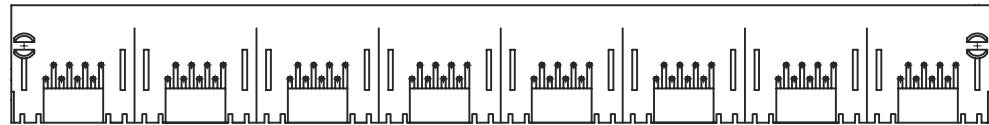
MECHANICAL:

- |                             |                   |
|-----------------------------|-------------------|
| 1. DURRABILITY              | : 750 CYCLES MIN. |
| 2. PCB RETENTION PRE-SOLDER | : 1 LB MIN.       |

ENVIRONMENTAL:

- |              |                  |
|--------------|------------------|
| 1. STORAGE   | : -40°C ~ +85°C  |
| 2. OPERATION | : -40°C TO 70°C. |

PART NUMBER:

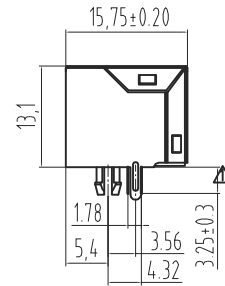
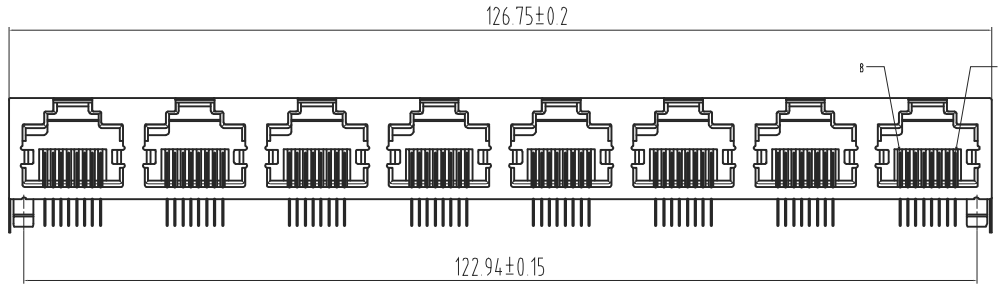


PC Board Layout  
Component Side Shown

DETACHED LISTS MM (INCH) TOLERANCES EXCEPT AS NOTED MM .0 ± 0.15 ± .00 ± 0.015 ± .00 ± 0.05 ± ANGLES ± 0.5 THIRD ANGLE PROJECTION	DFTO: DANIEL CHKD: XSY MFD: APPVL: MATERIAL: QTY: FINISH: SCALE:	DATE: 05/08/19 DATE: 06/07/28 DATE: DATE: DATE: DATE: DATE: DATE:	HONG YU ELECTRONIC CO., LTD  TITLE 5J SERIES 1X8 LED JACK  DRAWING NO. _____ /PART NO. _____ DO NOT SCALE DRAWING	SIZE: A3 REV: 0	SHEET _____ OF _____
	SCALE:			SHEET _____ OF _____	
	SCALE:			SHEET _____ OF _____	
	SCALE:			SHEET _____ OF _____	

REVISION RECORD				
REV	ECO	DESCRIPTION	DRFT	CHKD
Δ				

distributed by  
**wittic**



**NOTES:**

**MATERIAL :**

1.HOUSING MATERIAL	:GLASS FILLED POLYESTER UL94V-0.
2.CONTACT MATERIAL	:PHOSPHOR BRONZE $\phi$ 0.46mm.
3.PLATING	:GOLD PLATING OVER NICKEL.
4.SHIELD	:0.2mm THICKNESS COPPER ALLOY WITH NICKEL PLATED.
5.LED	:OPTION

**ELECTRICAL:**

1.VOLTAGE RATING	:125 VAC RMS.
2.CURRENT RATING	:15 AMP.
3.CONTACT RESISTANCE	:30 MILLIOHMS MAX.
4.INSULATION RESISTANCE	:500 MEGOHMS MIN @ 500V DC .
5.DIELECTRIC WITHSTANDING RESISTANCE	:1000V AC RMS 50Hz. 1MIN.

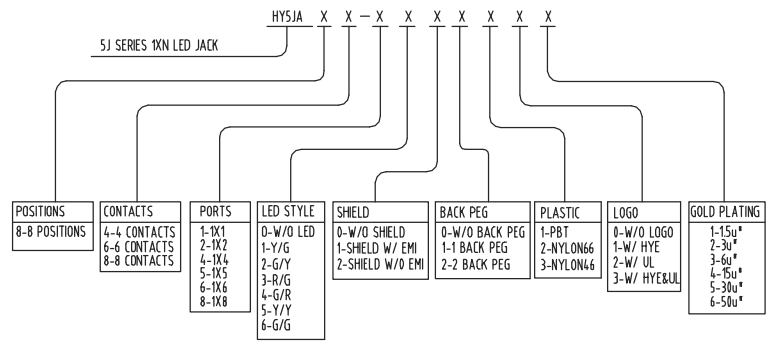
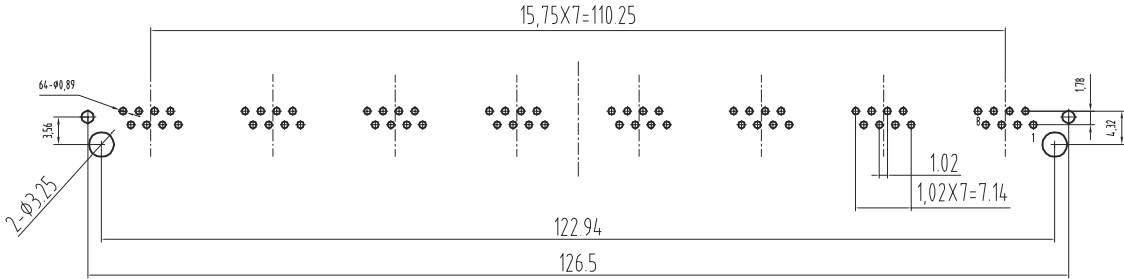
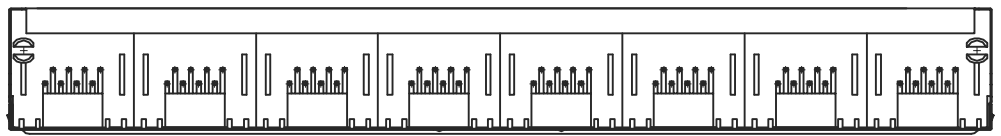
**MECHANICAL:**

1.DURRABILITY	:750 CYCLES MIN.
2.PCB RETENTION PRE-SOLDER	:1 LB MIN.

**ENVIRONMENTAL:**

1. STORAGE	: -40°C~+85°C
2. OPERATION	: -40°C TO 70°C.

**PART NUMBER:**



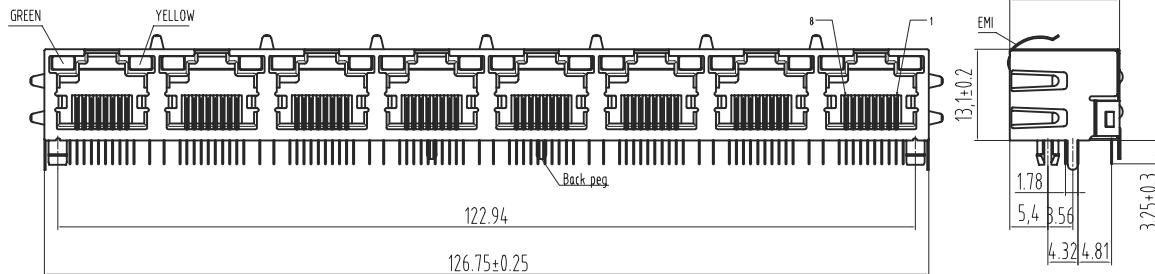
PC Board Layout  
Component Side Shown

MM		INCH	
TOLERANCES EXCEPT AS NOTED			
MM	:		
Ø : 0.15	:		
Ø : 0.15	:		
Ø : 0.15	:		
ANGLES : 0.5			
THIRD ANGLE PROJECTION			
DFGT	DANIEL	DATE	05/08/19
CHKD	XSY	DATE	06/07/28
MPD		DATE	
APPVL		DATE	
MATERIAL :			
Q.T.Y :			
FINISH :			
SCALE :			
HONG YU ELECTRONIC CO., LTD			
TITLE			
5J SERIES 1X8 LED JACK			
DRAWING NO.		SIZE	REV
/PART NO.		A3	0
DO NOT SCALE DRAWING			SHEET OF



REV	ECO	DESCRIPTION	DRFT	CHKD
Δ				

distributed by  
**wittic**



NOTES:

MATERIAL :

- 1.HOUSING MATERIAL :PA66
- 2.CONTACT MATERIAL :PHOSPHOR BRONZE  $\phi$ 0.46mm.
- 3.PLATING :GOLD PLATING OVER NICKEL.
- 4.SHIELD :0.20mm THICKNESS COPPER ALLOY WITH NICKEL PLATED.
- 5.LED :OPTION

ELECTRICAL:

- 1.VOLTAGE RATING :125 VAC RMS.
- 2.CURRENT RATING :1.5 AMP.
- 3.CONTACT RESISTANCE :30 MILLIOHMS MAX.
- 4.INSULATION RESISTANCE :500 MEGOHMS MIN @ 500V DC .
- 5.DIELECTRIC WITHSTANDING RESISTANCE :1000V AC RMS 50Hz. 1MIN.

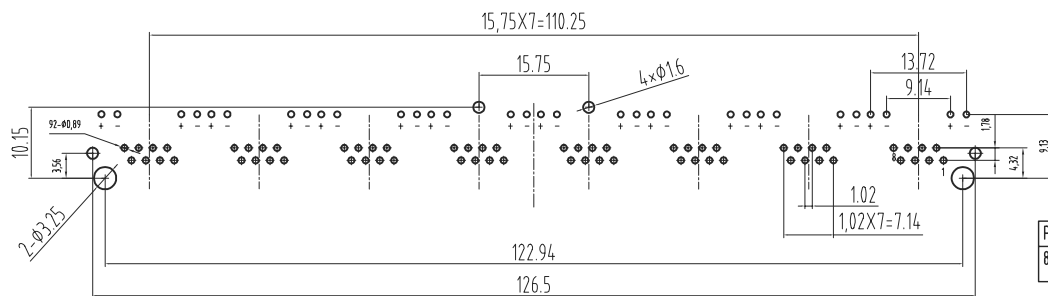
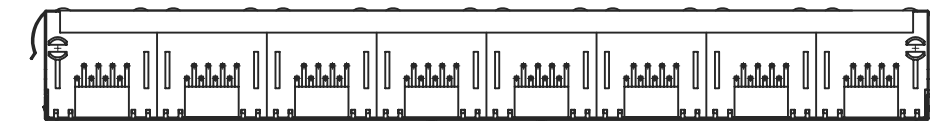
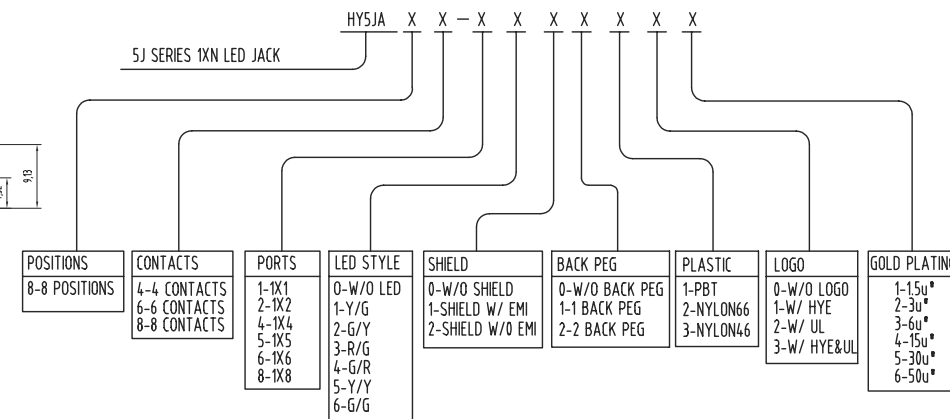
MECHANICAL:

- 1.DURRABILITY :750 CYCLES MIN.
- 2.PCB RETENTION PRE-SOLDER :1 LB MIN.

ENVIRONMENTAL:

- 1. STORAGE : -40°C~+85°C
- 2. OPERATION : -40°C TO 70°C.

PART NUMBER:



PC Board Layout  
Component Side Shown

DETACHED LISTS MM (INCH) TOLERANCES EXCEPT AS NOTED MM .0 ± 0.15 ± .00 ± 0.015 ± .000 ± 0.05 ± ANGLES ± 0.5 THIRD ANGLE PROJECTION	DFTO: DANIEL DATE: 05/05/17 CHKO: XSY DATE: 06/07/28 MFO: DATE: APPVL: DATE:	HONG YU ELECTRONIC CO., LTD TITLE: 5J SERIES 1X8 LED JACK	
	MATERIAL : QTY : FINISH : SCALE : 5:3		