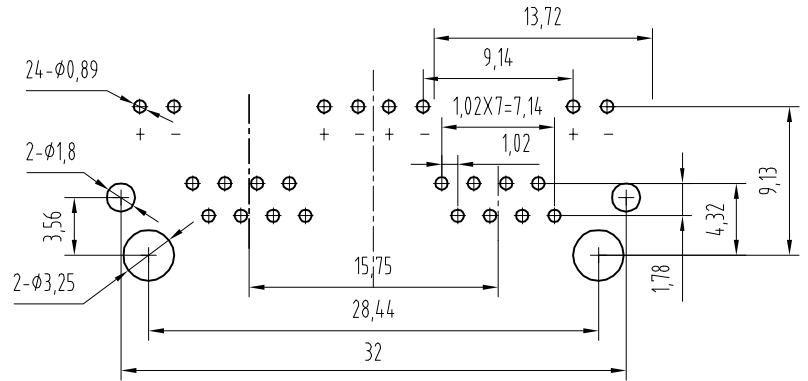
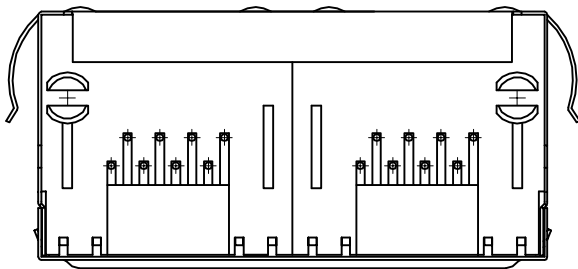
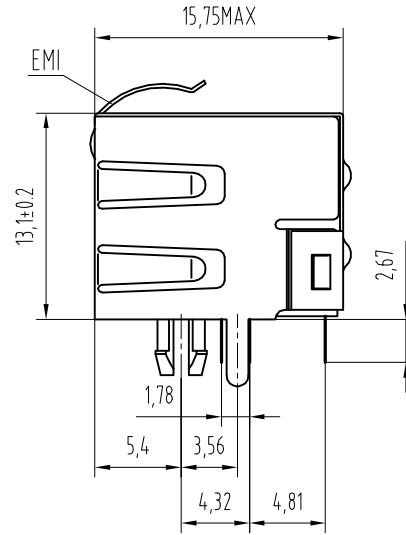
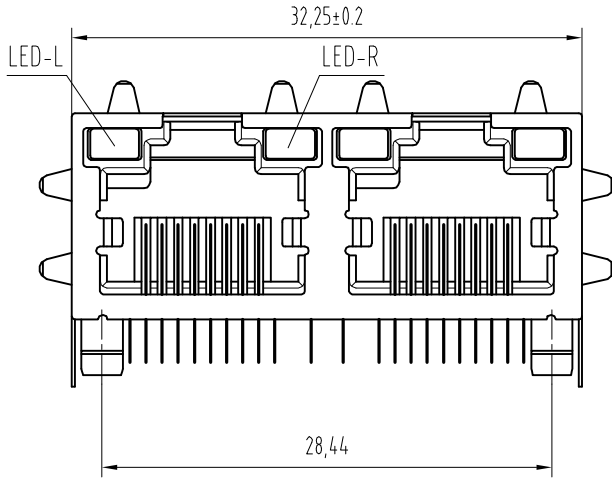


## 5J SERIES 1×N LED JACK

HY5JA88-2X10XXX



**PC Board Layout**  
**Component Side Shown**

### ORDERING INFORMATION

5J SERIES 1XN LED JACK

HYSJA X X - X X X X X X

POSITIONS	CONTACTS	PORTS	LED STYLE	SHIELD	BACK PEG	PLASTIC	LOGO	GOLD PLATING
8-8 POSITIONS	4-4 CONTACTS 6-6 CONTACTS 8-8 CONTACTS	1-1X1 2-1X2 4-1X4 5-1X5 6-1X6 8-1X8	0-W/O LED 1-Y/G 2-G/Y 3-R/G 4-G/R 5-Y/Y 6-G/G	0-W/O SHIELD 1-SHIELD W/ EMI 2-SHIELD W/O EMI	0-W/O BACK PEG 1-1 BACK PEG 2-2 BACK PEG	1-PBT 2-NYLON66 3-NYLON46	0-W/O LOGO 1-W/ HYE 2-W/ UL 3-W/ HYE&UL	1-15u" 2-30u" 3-6u" 4-15u" 5-30u" 6-50u"