

Document Title**256K x8 bit 3.3V Low Power CMOS slow SRAM**Revision History

<u>Revision No</u>	<u>History</u>	<u>Draft Date</u>	<u>Remark</u>
03	Initial Revision History Insert Revised - Improved operating current Icc1 : 60mA -> 35mA	Jul.29.2000	Final
04	Change the Notch Location of sTSOP - Left-Top => Left-Center	Sep.04.2000	Final
05	Marking Information Add Revised - AC Test Condition Add : 5pF Test Load	Dec.04.2000	Final
06	Changed Logo - HYUNDAI -> hynix - Marking Information Change	Apr.30.2001	Final

DESCRIPTION

The HY62V8200B is a high speed, low power and 2M bit CMOS SRAM organized as 262,144 words by 8bit. The HY62V8200B uses high performance CMOS process technology and designed for high speed low power circuit technology. It is particularly well suited for used in high density low power system application. This device has a data retention mode that guarantees data to remain valid at a minimum power supply voltage of 2.0V.

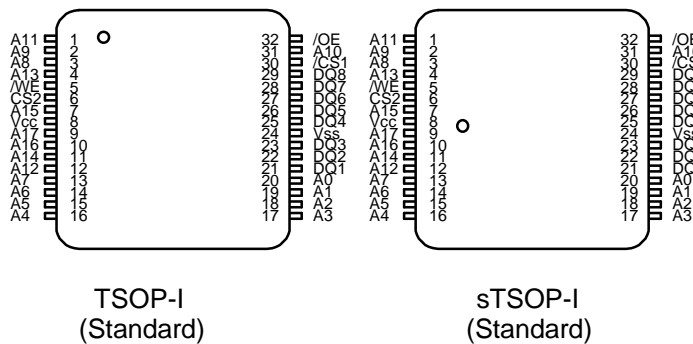
FEATURES

- Fully static operation and Tri-state output
- TTL compatible inputs and outputs
- Battery backup(LL-part)
- 2.0V(min) data retention
- Standard pin configuration
- 32-sTSOPI-8X13.4, 32-TSOPI-8X20 (Standard and Reversed)

Product No.	Voltage (V)	Speed (ns)	Operation Current/Icc(mA)	Standby Current(uA)	Temperature (°C)
HY62V8200B	3.0~3.6	70/85/100	5	25	0~70
HY62V8200B-E	3.0~3.6	70/85/100	5	25	-25~85(E)
HY62V8200B-I	3.0~3.6	70/85/100	5	25	-40~85(I)

- Note 1. Blank : Commercial, E : Extended, I : Industrial
 2. Current value is max.

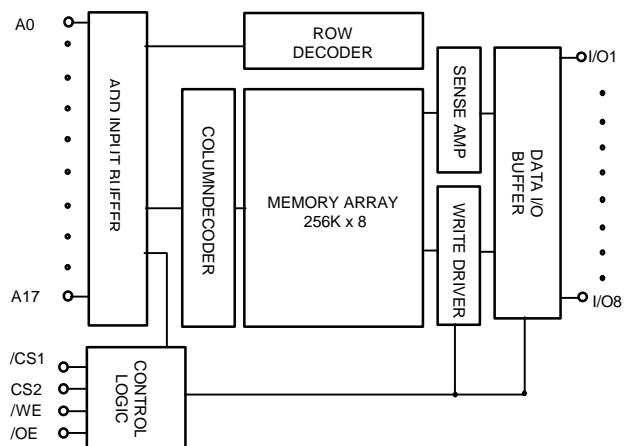
PIN CONNECTION



PIN DESCRIPTION

Pin Name	Pin Function
/CS1	Chip Select 1
CS2	Chip Select 2
/WE	Write Enable
/OE	Output Enable
A0 ~ A17	Address Input
I/O1 ~ I/O8	Data Input/Output
Vcc	Power(3.0V~3.6V)
Vss	Ground

BLOCK DIAGRAM



ORDERING INFORMATION

Part No.	Speed	Power	Temp.	Package
HY62V8200BLLT1	70/85/100	LL-part		TSOPI(Standard)
HY62V8200BLLR1	70/85/100	LL-part		TSOPI(Reversed)
HY62V8200BLLST	70/85/100	LL-part		Smaller TSOPI(Standard)
HY62V8200BLLSR	70/85/100	LL-part		Smaller TSOPI(Reversed)
HY62V8200BLLT1-E	70/85/100	LL-part	E	TSOPI(Standard)
HY62V8200BLLR1-E	70/85/100	LL-part	E	TSOPI(Reversed)
HY62V8200BLLST-E	70/85/100	LL-part	E	Smaller TSOPI(Standard)
HY62V8200BLLSR-E	70/85/100	LL-part	E	Smaller TSOPI(Reversed)
HY62V8200BLLT1-I	70/85/100	LL-part	I	TSOPI(Standard)
HY62V8200BLLR1-I	70/85/100	LL-part	I	TSOPI(Reversed)
HY62V8200BLLST-I	70/85/100	LL-part	I	Smaller TSOPI(Standard)
HY62V8200BLLSR-I	70/85/100	LL-part	I	Smaller TSOPI(Reversed)

Note 1. Blank : Commercial, E : Extended, I : Industrial

ABSOLUTE MAXIMUM RATING (1)

Symbol	Parameter	Rating	Unit	Remark
V _{IN} , V _{OUT}	Voltage on any pin relative to V _{SS}	-0.2 to 3.9	V	
V _{CC}	Voltage on V _{CC} supply relative to V _{SS}	-0.2 to 4.0	V	
T _A	Operating Temperature	0 to 70	°C	HY62V8200B
		-25 to 85	°C	HY62V8200B-E
		-40 to 85	°C	HY62V8200B-I
T _{STG}	Storage Temperature	-55 to 150	°C	
P _D	Power Dissipation	1.0	W	
I _{OUT}	Data Output Current	50	mA	
T _{SOLDER}	Lead Soldering Temperature & Time	260 • 5	°C•sec	

Note

- Stresses greater than those listed under ABSOLUTE MAXIMUM RATINGS may cause permanent damage to the device. This is stress rating only and the functional operation of the device under these or any other conditions above those indicated in the operation of this specification is not implied. Exposure to the absolute maximum rating conditions for extended period may affect reliability.

TRUTH TABLE

/CS1	CS2	/WE	/OE	Mode	I/O	Power
H	X	X	X	Deselected	High-Z	Standby
X	L	X	X	Deselected	High-Z	Standby
L	H	H	H	Output Disabled	High-Z	Active
L	H	H	L	Read	Dout	Active
L	H	L	X	Write	Din	Active

Note :

- H=V_{IH}, L=V_{IL}, X=don't care(V_{IH} or V_{IL})

RECOMMENDED DC OPERATING CONDITION

Symbol	Parameter	Min.	Typ.	Max.	Unit
V _{CC}	Supply Voltage	3.0	3.3	3.6	V
V _{SS}	Ground	0	0	0	V
V _{IH}	Input High Voltage	2.2	-	V _{CC} +0.3	V
V _{IL}	Input Low Voltage	-0.3(1)	-	0.4	V

Note

V_{IL} = -1.5V for pulse width less than 30ns

DC ELECTRICAL CHARACTERISTICS

V_{CC}= 3.0~3.6V, T_A = 0°C to 70°C/ -25°C to 85°C (E)/ -40°C to 85°C (I), unless otherwise specified

Sym.	Parameter	Test Condition	Min.	Typ.	Max.	Unit
I _{LI}	Input Leakage Current	V _{SS} ≤ V _{IN} ≤ V _{CC}	-1	-	1	uA
I _{LO}	Output Leakage Current	V _{SS} ≤ V _{OUT} ≤ V _{CC} , /CS1 = V _{IH} or CS2 = V _{IL} or /OE = V _{IH} or /WE = V _{IL}	-1	-	1	uA
I _{CC}	Operating Power Supply Current	/CS1 = V _{IL} , CS2 = V _{IH} , V _{IN} = V _{IH} or V _{IL} , I _{I/O} = 0mA	-	-	5	mA
I _{CC1}	Average Operating Current	Min Duty Cycle = 100%, /CS1 = V _{IL} CS2 = V _{IH} V _{IN} = V _{IH} or V _{IL}	-	-	35	mA
		Cycle time = 1us, I _{I/O} = 0mA, /CS1 ≤ 0.2V, CS2 ≥ V _{CC} - 0.2V V _{IN} ≤ 0.2V or V _{IN} ≥ V _{CC} - 0.2V	-	-	6	mA
I _{SB}	TTL Standby Current (TTL Input)	/CS1 = V _{IH} or CS2 = V _{IL} V _{IN} = V _{IH} or V _{IL}	-	-	0.5	mA
I _{SB1}	Standby Current (CMOS Input)	HY62V8200B /CS1 ≥ V _{CC} - 0.2V or CS2 ≤ 0.2V,	-	-	25	uA
		HY62V8200B-E V _{IN} ≥ V _{CC} - 0.2V or	-	-	25	uA
		HY62V8200B-I V _{IN} ≤ V _{SS} + 0.2V	-	-	25	uA
V _{OL}	Output Low Voltage	I _{OL} = 2.1mA	-	-	0.4	V
V _{OH}	Output High Voltage	I _{OH} = -1.0mA	2.2	-	-	V

Note : Typical values are at V_{CC} = 3.3V, T_A = 25°C

CAPACITANCE

(Temp = 25°C, f= 1.0MHz)

Symbol	Parameter	Condition	Max.	Unit
C _{IN}	Input Capacitance	V _{IN} = 0V	8	pF
C _{OUT}	Output Capacitance	V _{I/O} = 0V	10	pF

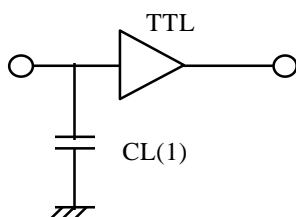
Note : These parameters are sampled and not 100% tested

AC CHARACTERISTICS
 $V_{CC} = 3.0V \sim 3.6V$, $T_A = 0^{\circ}C$ to $70^{\circ}C$ / $-25^{\circ}C$ to $85^{\circ}C$ (E) / $-40^{\circ}C$ to $85^{\circ}C$ (I), unless otherwise specified

#	Symbol	Parameter	-70		-85		-10		Unit
			Min.	Max.	Min.	Max.	Min.	Max.	
READ CYCLE									
1	tRC	Read Cycle Time	70	-	85	-	100	-	ns
2	tAA	Address Access Time	-	70	-	85	-	100	ns
3	tACS	Chip Select Access Time	-	70	-	85	-	100	ns
4	tOE	Output Enable to Output Valid	-	40	-	45	-	50	ns
5	tCLZ	Chip Select to Output in Low Z	10	-	10	-	10	-	ns
6	tOLZ	Output Enable to Output in Low Z	5	-	5	-	5	-	ns
7	tCHZ	Chip Deselection to Output in High Z	0	20	0	25	0	30	ns
8	tOHZ	Out Disable to Output in High Z	0	20	0	25	0	30	ns
9	tOH	Output Hold from Address Change	15	-	15	-	15	-	ns
WRITE CYCLE									
10	tWC	Write Cycle Time	70	-	85	-	100	-	ns
11	tCW	Chip Selection to End of Write	60	-	70	-	80	-	ns
12	tAW	Address Valid to End of Write	60	-	70	-	80	-	ns
13	tAS	Address Set-up Time	0	-	0	-	0	-	ns
14	tWP	Write Pulse Width	50	-	60	-	70	-	ns
15	tWR	Write Recovery Time	0	-	0	-	0	-	ns
16	tWHZ	Write to Output in High Z	0	20	0	25	0	30	ns
17	tDW	Data to Write Time Overlap	30	-	35	-	40	-	ns
18	tDH	Data Hold from Write Time	0	-	0	-	0	-	ns
19	tOW	Output Active from End of Write	5	-	5	-	5	-	ns

AC TEST CONDITIONS
 $T_A = 0^{\circ}C$ to $70^{\circ}C$ / $-25^{\circ}C$ to $85^{\circ}C$ (E) / $-40^{\circ}C$ to $85^{\circ}C$ (I), unless otherwise specified

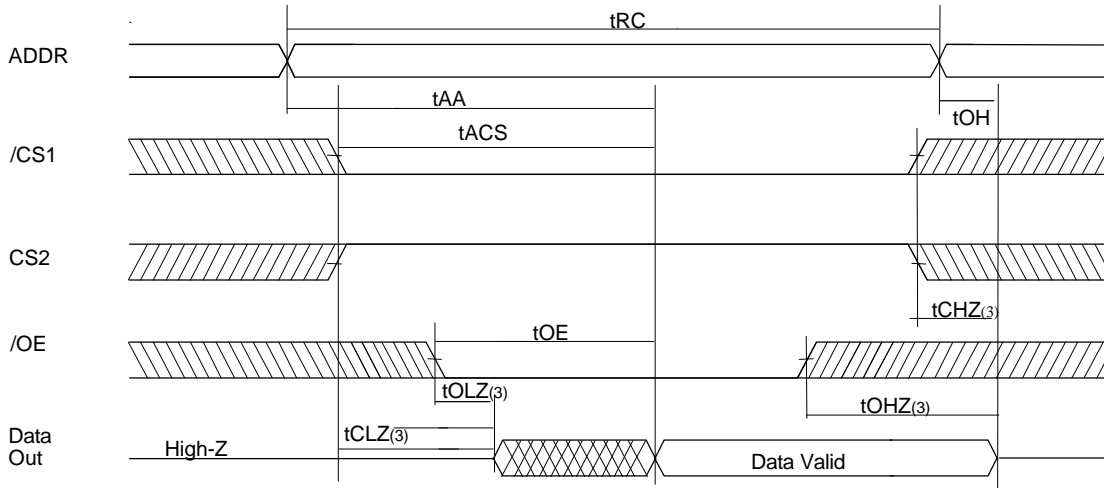
Parameter		Value
Input Pulse Level		0.4V to 2.2V
Input Rise and Fall Time		5ns
Input and Output Timing Reference Level		1.5V
Output Load	tCLZ,tOLZ,tCHZ,tOHZ,tWHZ	CL = 5pF + 1TTL Load
	Others	CL = 100pF + 1TTL Load

AC TEST LOADS


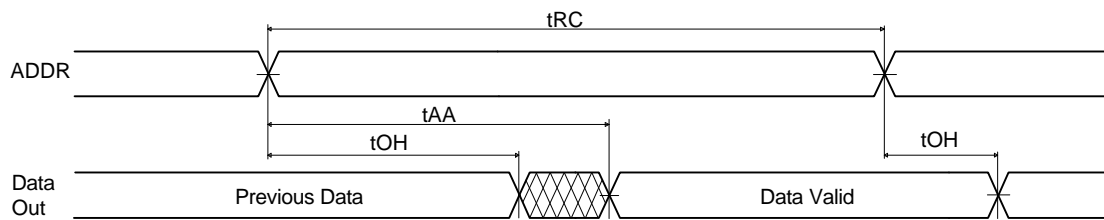
Note : 1 Including jig and scope capacitance

TIMING DIAGRAM

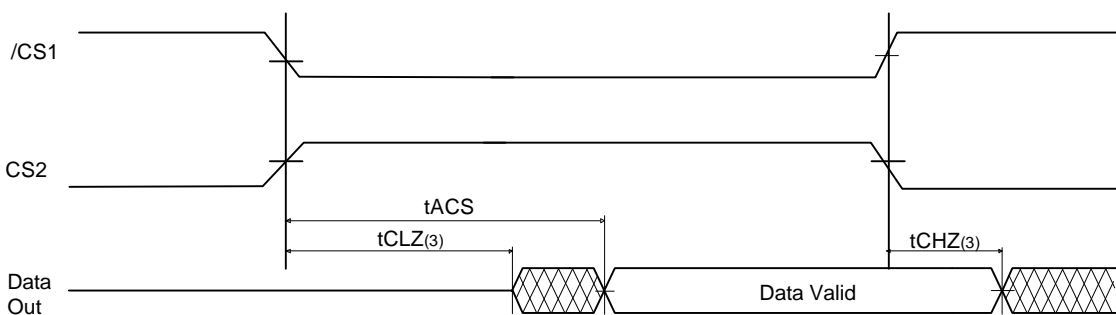
READ CYCLE 1 (Note 1,4)



READ CYCLE 2 (Note 1,2,4)



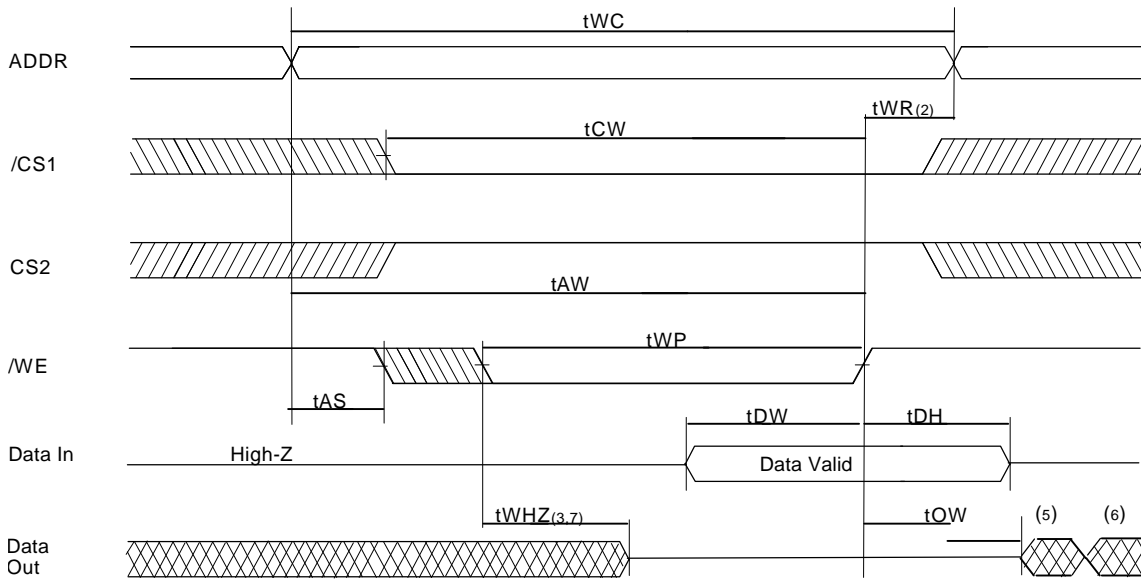
READ CYCLE 3 (Note 1,2,4)



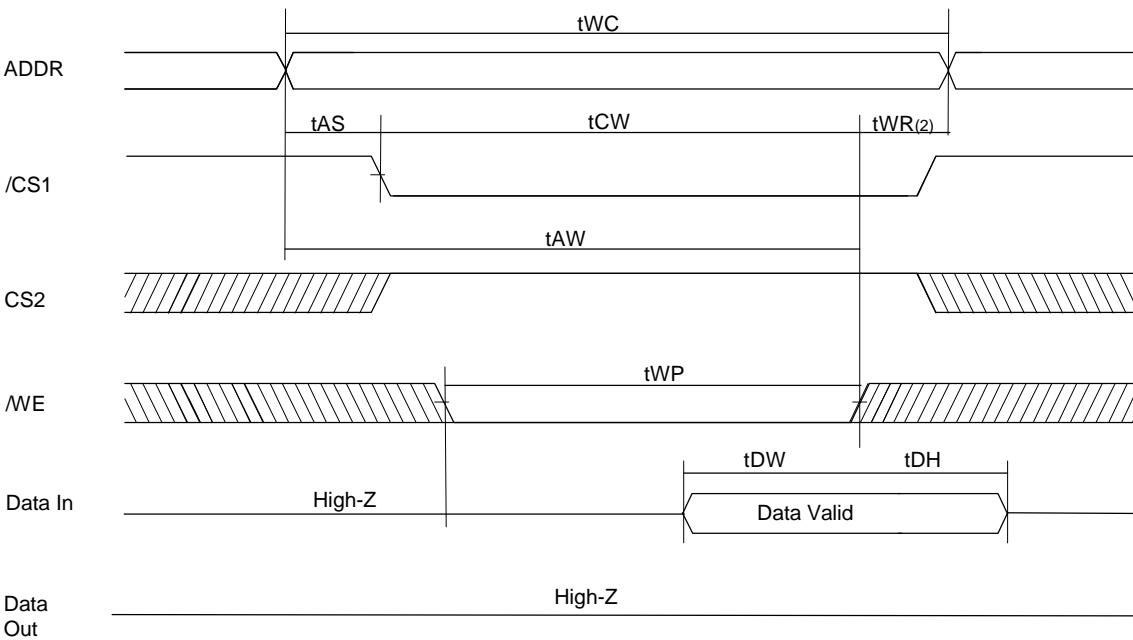
Notes:

1. A read occurs during the overlap of a low /OE, a high /WE, a low /CS1 and a high CS2.
2. /OE = V_{IL}
3. Transition is measured $\pm 200mV$ from steady state voltage.
This parameter is sampled and not 100% tested.
4. /CS1 in high for the standby, low for active
CS2 in low for the standby, high for active

WRITE CYCLE 1(1,4,5,8) (/WE Controlled)



WRITE CYCLE 2(1,4,5,8) (/CS1, CS2 Controlled)



Notes(WRITE CYCLE):

1. A write occurs during the overlap of a low /WE, a low /CS1 and a high CS2. A write begins at the latest transition among /CS1 going low, CS2 going high and /WE going low: A write ends at the earliest transition among /CS1 going high, CS2 low and /WE going high. tWP is measured from the beginning of write to the end of write.
2. tCW is measured from the later of /CS1 going low or CS2 going high to the end of write .
3. tAS is measured from the address valid to the beginning of write.
4. tWR is measured from the end of write to the address change. tWR1 is applied in case a write ends as /CS1, or /WE going high, and tWR2 is applied in case a write ends at CS2 going low.
5. If /OE, CS2 and /WE are in the read mode during this period, and the I/O pins are in the output low-Z state, input of opposite phase of the output must not be applied because bus contention can occur.
6. If /CS1 goes low simultaneously with /WE going low, the outputs remain in high impedance state.
7. Dout is the read data of the new address.
8. When /CS1 is low and CS2 is high, I/O pins are in the output state. The input signals in the opposite phase leading to the outputs should not be applied.

DATA RETENTION ELECTRIC CHARACTERISTIC

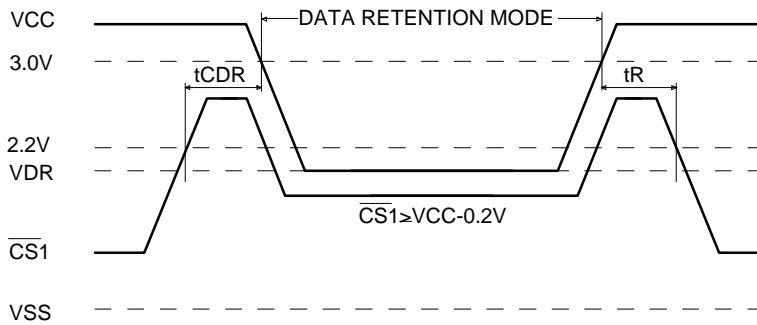
TA = 0°C to 70°C / -25°C to 85°C (E) / -40°C to 85°C (I)

Symbol	Parameter	Test Condition	Min.	Typ.	Max.	Unit
VDR	Vcc for Data Retention	/CS1 ≥ Vcc - 0.2V or CS2 ≤ 0.2V, VIN ≥ Vcc - 0.2V or VIN ≥ Vss + 0.2V	2.0	-	-	V
ICCDR	Data Retention Current	HY62V8200B	-	-	25	uA
		HY62V8200B-E	-	-	25	uA
		HY62V8200B-I	-	-	25	uA
tCDR	Chip Deselect to Data Retention Time	See Data Retention Timing Diagram	0	-	-	ns
tR	Operating Recovery Time		5	-	-	ms

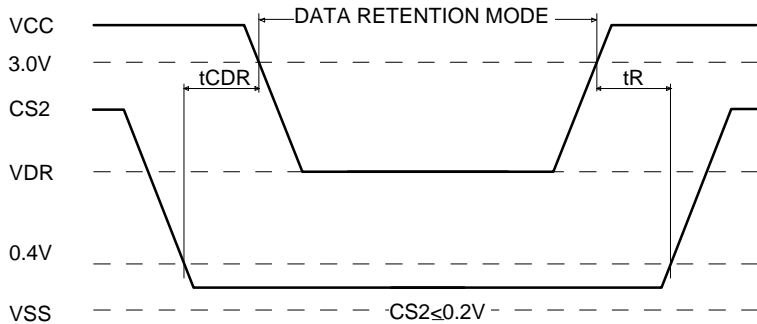
Notes:

1. Typical values are under the condition of TA = 25°C.

DATA RETENTION TIMING DIAGRAM 1

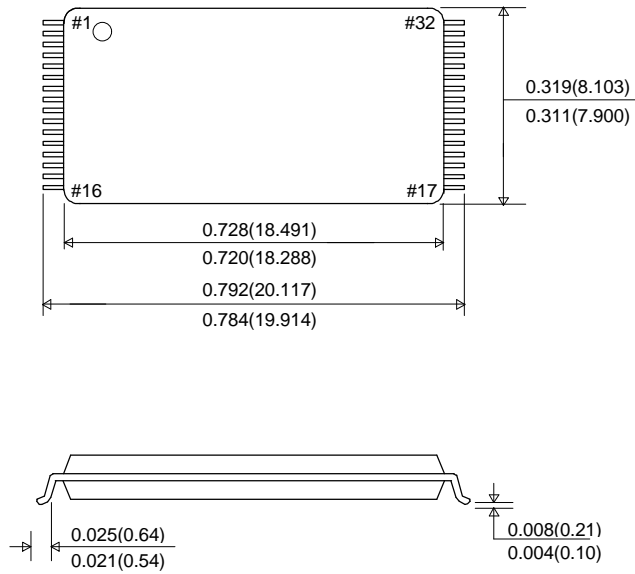


DATA RETENTION TIMING DIAGRAM 2

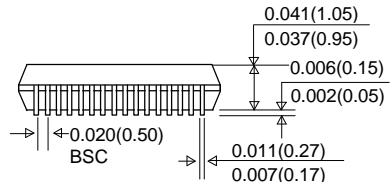


PACKAGE INFORMATION

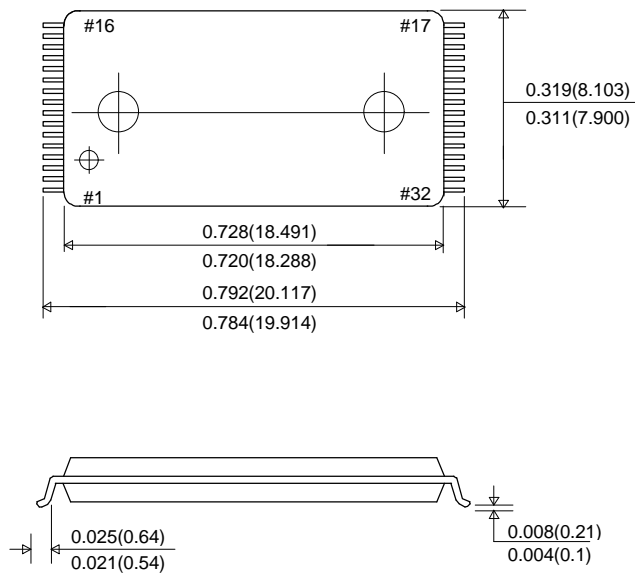
32pin 8x20mm Thin Small Outline Package Standard(T1)



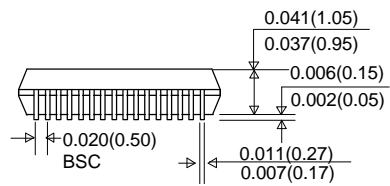
UNIT : INCH(mm)



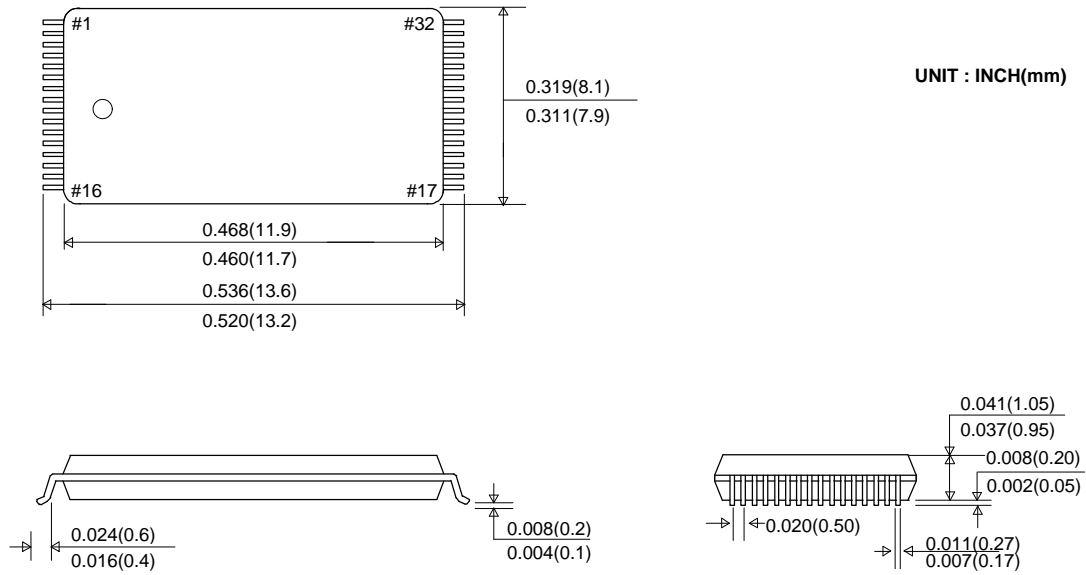
32pin 8x20mm Thin Small Outline Package Reversed(R1)



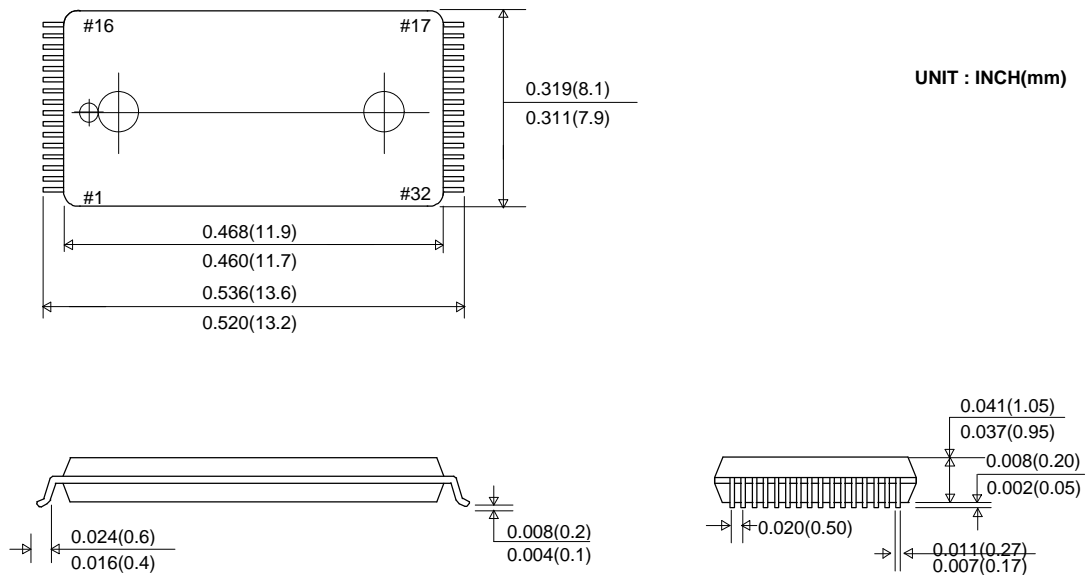
UNIT : INCH(mm)



32pin 8x13.4mm Smaller Thin Small Outline Package Standard(ST)



32pin 8x13.4mm Smaller Thin Small Outline Package Reversed (SR)



MARKING INFORMATION

Package	Marking Example																																																				
<p>TSOP-I</p>	<table border="1"> <tr> <td>h</td><td>y</td><td>n</td><td>i</td><td>x</td><td></td><td></td><td></td><td></td><td></td><td></td><td></td><td>K</td><td>O</td><td>R</td><td>E</td><td>A</td> </tr> <tr> <td>H</td><td>Y</td><td>6</td><td>2</td><td>V</td><td>8</td><td>2</td><td>0</td><td>0</td><td>B</td><td></td><td></td><td></td><td></td><td></td><td></td><td></td> </tr> <tr> <td>y</td><td>y</td><td>w</td><td>w</td><td>p</td><td></td><td></td><td></td><td></td><td></td><td>c</td><td>c</td><td>T</td><td>1</td><td>-</td><td>s</td><td>s</td><td>t</td> </tr> </table>	h	y	n	i	x								K	O	R	E	A	H	Y	6	2	V	8	2	0	0	B								y	y	w	w	p						c	c	T	1	-	s	s	t
h	y	n	i	x								K	O	R	E	A																																					
H	Y	6	2	V	8	2	0	0	B																																												
y	y	w	w	p						c	c	T	1	-	s	s	t																																				
<p>sTSOP</p>	<table border="1"> <tr> <td>H</td><td>Y</td><td>6</td><td>2</td><td>V</td><td>8</td><td>2</td><td>0</td><td>0</td><td>B</td> </tr> <tr> <td>c</td><td>c</td><td>S</td><td>T</td><td>-</td><td>s</td><td>s</td><td>t</td><td></td><td></td> </tr> <tr> <td>y</td><td>y</td><td>w</td><td>w</td><td>p</td><td></td><td></td><td></td><td></td><td></td><td>K</td><td>O</td><td>R</td> </tr> </table>	H	Y	6	2	V	8	2	0	0	B	c	c	S	T	-	s	s	t			y	y	w	w	p						K	O	R																			
H	Y	6	2	V	8	2	0	0	B																																												
c	c	S	T	-	s	s	t																																														
y	y	w	w	p						K	O	R																																									

Index	
<ul style="list-style-type: none"> • hynix • KOREA / KOR • HY62V8200B • yy • ww • p • cc 	<ul style="list-style-type: none"> : hynix Logo : Origin Country : Part Name : Year (ex : 00 = year 2000, 01 = year 2001) : Work Week (ex : 12 = ww12) : Process Code : Power Consumption
<ul style="list-style-type: none"> - L - LL 	<ul style="list-style-type: none"> : Low Power : Low Low Power
<ul style="list-style-type: none"> • T1 / ST 	<ul style="list-style-type: none"> : Package Type - T1 : TSOP-I - ST : sTSOP
<ul style="list-style-type: none"> • ss 	<ul style="list-style-type: none"> : Speed - 70 : 70ns - 85 : 85ns
<ul style="list-style-type: none"> • t 	<ul style="list-style-type: none"> : Temperature - Blank : Commercial (0 ~ 70 °C) - E : Extended (-25 ~ 85 °C) - I : Industrial (-40 ~ 85 °C)
<p>Note</p> <ul style="list-style-type: none"> - Capital Letter - Small Letter 	<ul style="list-style-type: none"> : Fixed Item : Non-fixed Item (Except hynix)