

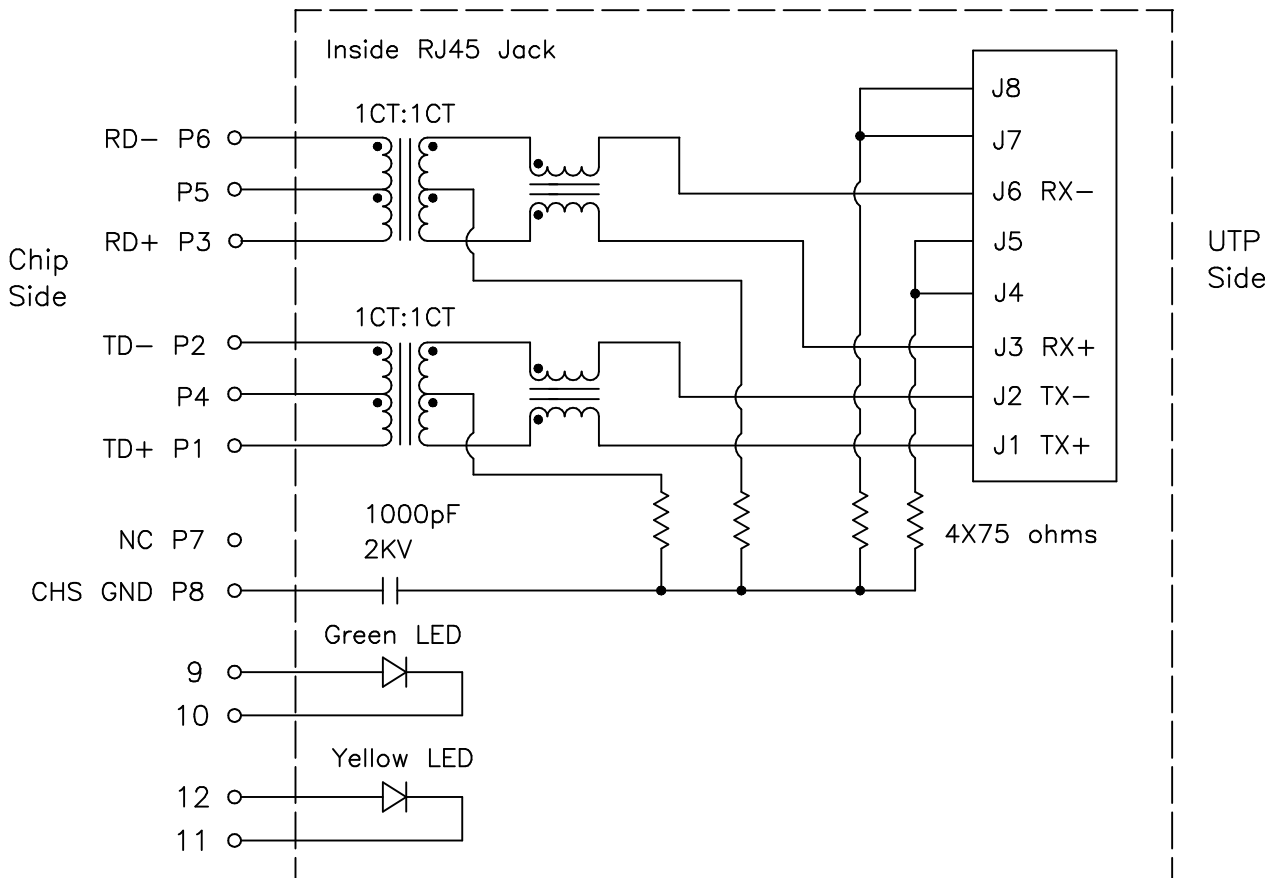
**Single Port RJ45 Connector  
with Integrated Magnetics and LED  
for 10/100Base-TX NIC Applications**

**Part Number:  
HY911105A**

**Electrical Specification @25°C**

- Isolation: 1500Vrms (UTP Side to Chip Side)
- OCL: 350uH Minimum @100KHz 100mV with 8mADC
- Insertion Loss: -1.0dB Maximum @300KHz ~ 100MHz
- Return Loss: -20dB Minimum @1MHz ~ 10MHz
  - 16dB Minimum @10MHz ~ 30MHz
  - 12dB Minimum @30MHz ~ 60MHz
  - 10dB Minimum @60MHz ~ 80MHz
- Common Mode Rejection: -30dB Minimum @1MHz ~ 50MHz
  - 20dB Minimum @50MHz ~ 150MHz
- Crosstalk: -40dB Minimum @1MHz ~ 30MHz
  - 35dB Minimum @30MHz ~ 60MHz
  - 30dB Minimum @60MHz ~ 100MHz

**Schematics**



Notes: Connect CHS GND to PCB Ground

Part No.: HY911105A	Unless otherwise specified, Tolerance:	Rev: A	DRWN:	Date:
Dimensions in mm	.xx ±0.25	Page 1/1	APPD:	Date:

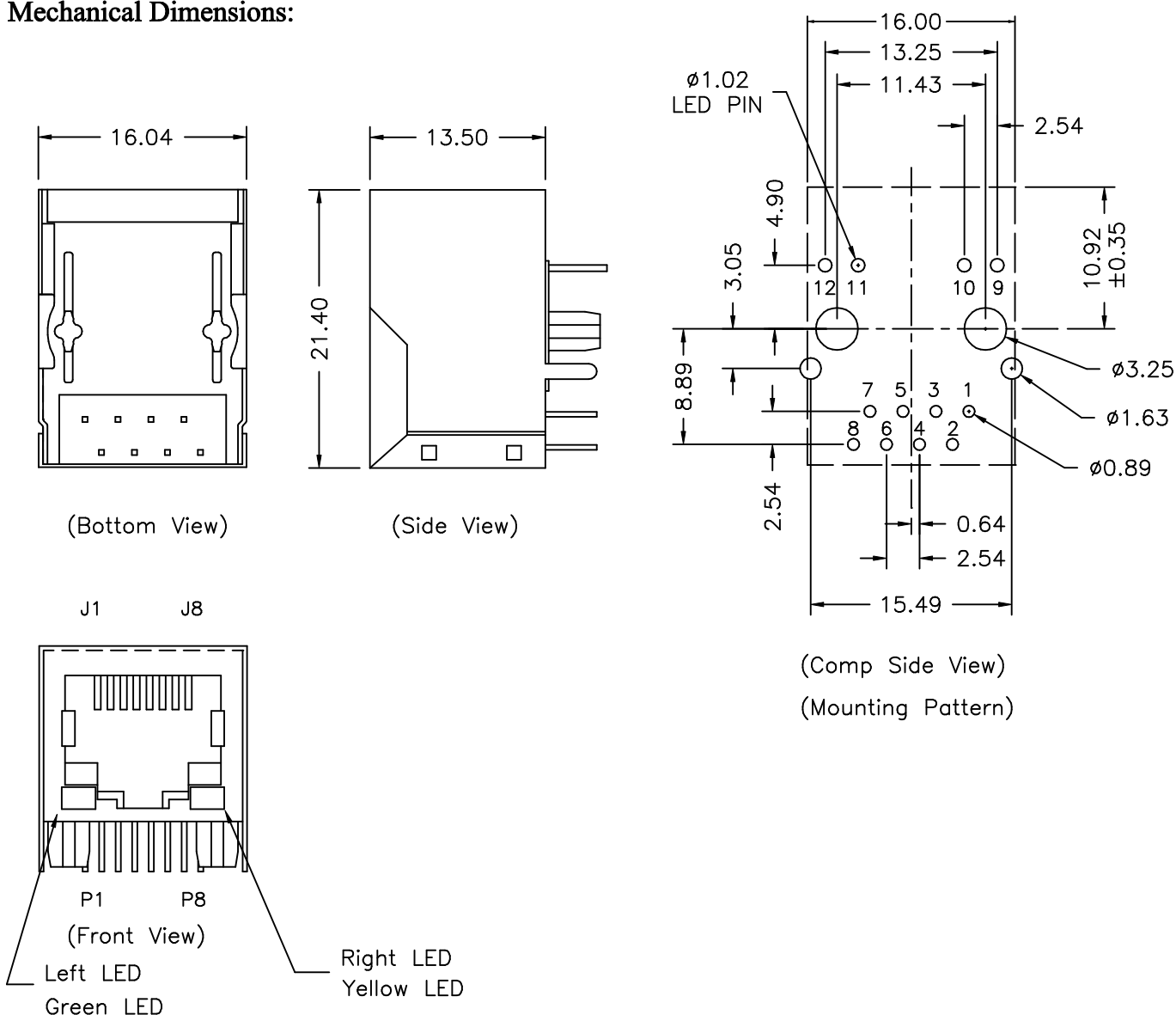
Single Port RJ45 Connector  
with Integrated Magnetics

Part Number

HY911105A (Shield Type: A)

- RoHS Compliant (Pb Free)
- Designed for Network Interface Card Application
- Meets or Exceeds IEEE802.3 standards including 350uH Min OCL with 8mADC
- High performance for EMI suppression, Crosstalk, Return Loss and Consistent Electrical
- Minimum 1500Vrms isolation per IEEE802.3 requirement
- Minimize PCB space and Simplify PCB Layout
- Less magnetic components to place on PCB, Higher reliability and yields

Mechanical Dimensions:



Part No.: HY911105A	Unless otherwise specified, Tolerance: .xx $\pm 0.25$	Rev: A	DRWN:	Date:
Dimensions in mm		Page 1/1	APPD:	Date: