

**HY951180A**

**Electrical Specification @25°C**

RoHS Compliant (PB Free)

Isolation: 1500Vrms 0.5mA 60S(UTP Side to Chip Side)

OCL: 350uH Minimum @100KHz 100mV with 8mADC

Insertion Loss: -1.0dB Maximum @300KHz ~ 100MHz

Return Loss: -20dB Minimum @1MHz ~ 10MHz / -16dB Minimum @10MHz ~ 30MHz

-12dB Minimum @30MHz ~ 60MHz / -10dB Minimum @60MHz ~ 80MHz

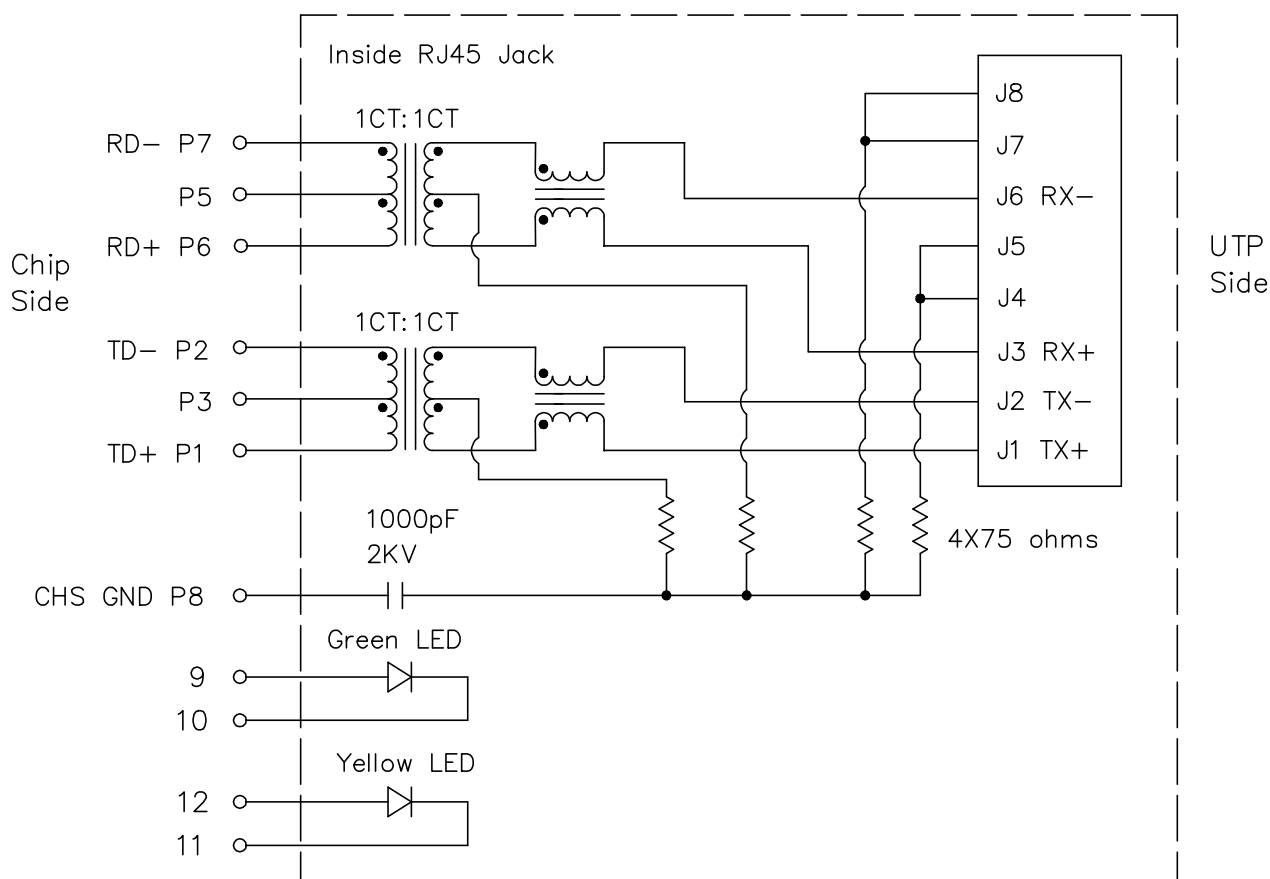
Common Mode Rejection: -30dB Minimum @1MHz ~ 50MHz

-20dB Minimum @50MHz ~ 150MHz

Crosstalk: -40dB Typical @1MHz ~ 30MHz / -35dB Typical @30MHz ~ 60MHz

-30dB Typical @60MHz ~ 100MHz

**Schematics**

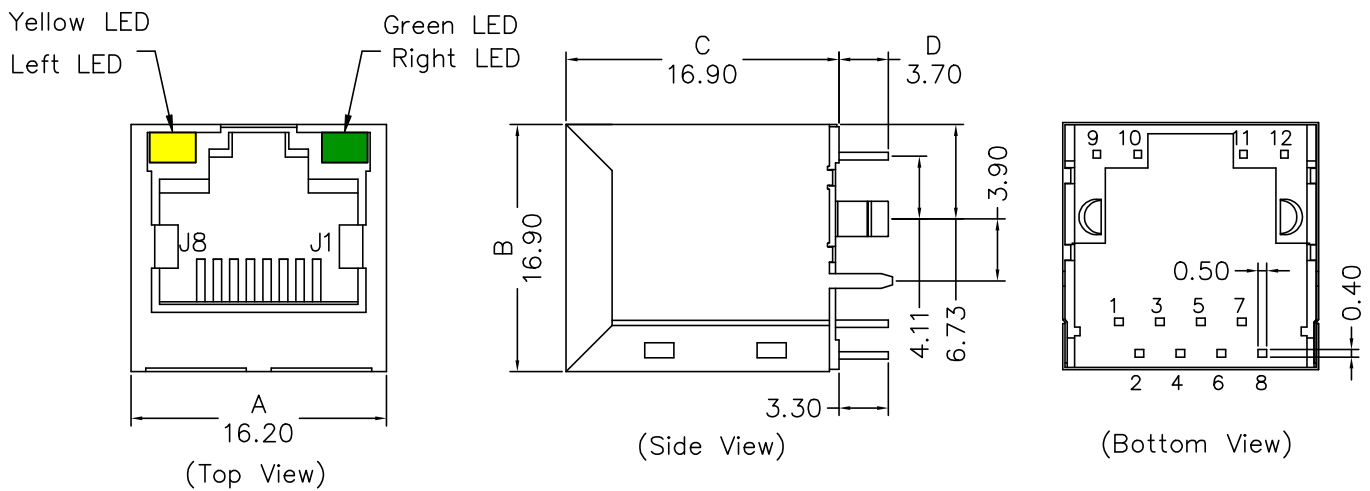


Notes: Connect CHS GND to PCB Ground

**HY951180A**

- RoHS Compliant (Pb Free)
- Designed for Network Interface Card Application
- Meets or Exceeds IEEE802.3 standards including 350uH Min OCL with 8mADC
- High performance for EMI suppression, Crosstalk, Return Loss and Consistent Electrical
- Minimum 1500Vrms isolation per IEEE802.3 requirement
- Minimize PCB space and Simplify PCB Layout
- Less magnetic components to place on PCB, Higher reliability and yields
- UL Recognized Component: File # E330599

**Mechanical Dimensions:**



(Front View)

Standard LED	Wavelength	Forward V (Min/Max)	Forward A	Type
Green	568nm	1.8V/2.8V	20mA	squareness
Yellow	585nm	1.8V/2.8V	20mA	squareness

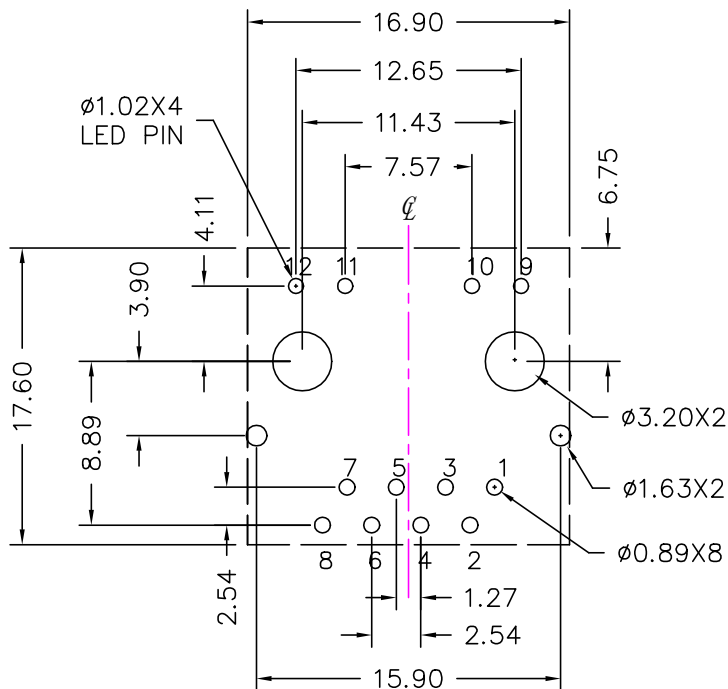
Dimensions in mm

Unless otherwise specified, Tolerance: .xx ±0.25

REV.: A/4

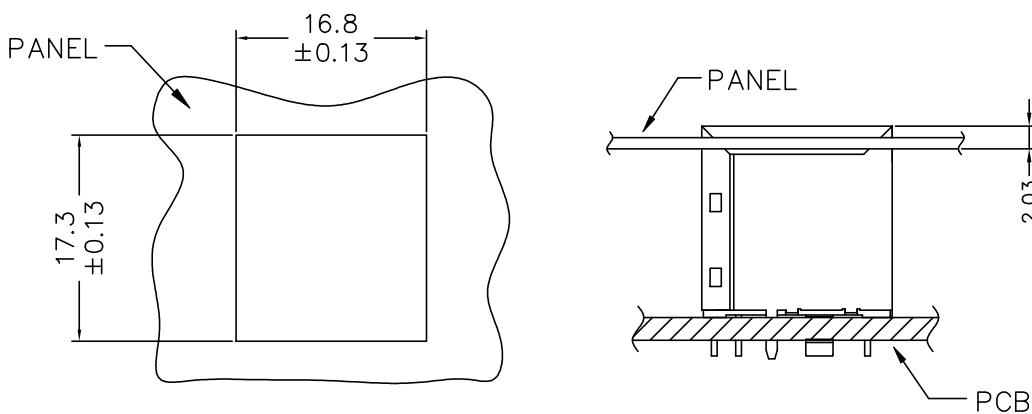
**HY951180A**

**Mechanical Dimensions:**



Recommended PCB layout (Component Side View)  
All dimension tolerance are  $\pm 0.08$  unless otherwise specified

**Suggested Panel Cutout:**



SUGGESTED PANEL OPENING

Dimensions in mm

Unless otherwise specified, Tolerance: .xx  $\pm 0.25$

REV.: A/4

## HY951180A

### Material Specification:

Housing: PBT GF Black UL94V-0  
Shield: 30u" Nickel over 0.20mm Thickness Brass  
Insert: PBT GF Black UL94V-0  
Phosphor Bronze 0.35mm Thickness  
Plating Area, 30u" gold over 50u" nickel  
Solder Area, 100u" tin over 50u" nickel  
Contact pin: PBT GF Black UL94V-0  
Phosphor Bronze; 100u" Tinning

### Mechanical Performance:

Contact resistance: 30 mΩ Maximum  
Mating force: 5 lbs Maximum  
Unmating force: 5 lbs Maximum  
Operating life: 750 Cycles Minimum

### Operating and Storage Temperature:

Operating Temperature Range: 0°C ~ +70°C  
Storage Temperature Range: -40°C ~ +85°C

Dimensions in mm

Unless otherwise specified, Tolerance: .xx ±0.25

REV.: A/4

4 of 4

Address: No.16, Industrial Road Central, Industrial Zone, Xiaolan Town,  
Zhongshan City, Guangdong Province, China

Tel: (0760)86103511 86103508 Fax: (0760)86103686 Post code: 528416

E-Mail: sales@hanrun.com <http://www.hanrun.com>

Specifications subject to change without notice . Refer to the approval sheet for lastly edition.