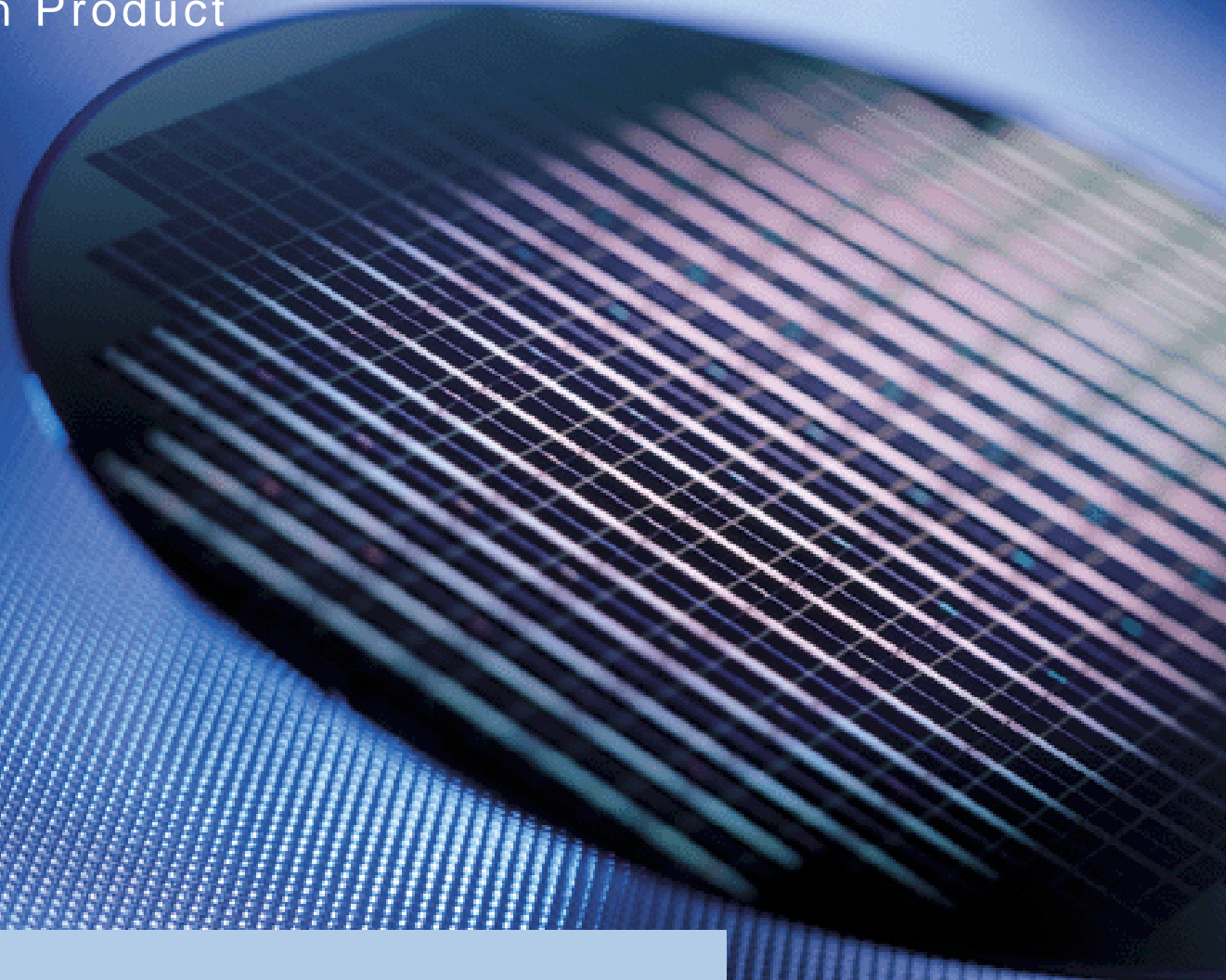


HYB25D256163CE-4.0  
HYB25D256163CE-5.0  
HYB25D256163CE-6.0

16M x 16 Double Data Rate Graphics DRAM  
DDR SGRAM  
Green Product



Memory Products



**Edition 2005-04**

**Published by Infineon Technologies AG,  
St.-Martin-Strasse 53,  
81669 München, Germany**

**© Infineon Technologies AG 2005.  
All Rights Reserved.**

**Attention please!**

The information herein is given to describe certain components and shall not be considered as a guarantee of characteristics.

Terms of delivery and rights to technical change reserved.

We hereby disclaim any and all warranties, including but not limited to warranties of non-infringement, regarding circuits, descriptions and charts stated herein.

**Information**

For further information on technology, delivery terms and conditions and prices please contact your nearest Infineon Technologies Office ([www.infineon.com](http://www.infineon.com)).

**Warnings**

Due to technical requirements components may contain dangerous substances. For information on the types in question please contact your nearest Infineon Technologies Office.

Under no circumstances may the Infineon Technologies product as referred to in this data sheet be used in

1. Any applications that are intended for military usage (including but not limited to weaponry), or
2. Any applications, devices or systems which are safety critical or serve the purpose of supporting, maintaining, sustaining or protecting human life (such applications, devices and systems collectively referred to as "Critical Systems"), if

- a) A failure of the Infineon Technologies product can reasonably be expected to - directly or indirectly -
  - (i) Have a detrimental effect on such Critical Systems in terms of reliability, effectiveness or safety; or
  - (ii) Cause the failure of such Critical Systems; or

- b) A failure or malfunction of such Critical Systems can reasonably be expected to - directly or indirectly -
  - (i) Endanger the health or the life of the user of such Critical Systems or any other person; or

Otherwise cause material damages (including but not limited to death, bodily injury or significant damages to property, whether tangible or intangible).

**HYB25D256163CE-4.0**

**HYB25D256163CE-5.0**

**HYB25D256163CE-6.0**

16M x 16 Double Data Rate Graphics DRAM

DDR SGRAM

Green Product

Memory Products



Revision History: Rev.1.11

Previous Version: V1.0

2004-02

Page	Subjects (major changes since last revision)
all	changed HYBnumber to 4.0/5.0/6.0, added on page 3 disclaimer
all	added (speed sort -6)
14,15,58	editorial changes

**We Listen to Your Comments**

Any information within this document that you feel is wrong, unclear or missing at all?

Your feedback will help us to continuously improve the quality of this document.

Please send your proposal (including a reference to this document) to:

[techdoc.mp@infineon.com](mailto:techdoc.mp@infineon.com)



**Table of Contents**

<b>1</b>	<b>Overview</b> .....	<b>8</b>
1.1	Features .....	8
1.2	Description .....	9
<b>2</b>	<b>Pin Configuration</b> .....	<b>10</b>
<b>3</b>	<b>Functional Description</b> .....	<b>13</b>
3.1	Initialization .....	13
3.2	Mode Register Definition .....	14
3.2.1	Burst Length .....	14
3.2.2	Burst Type .....	15
3.2.3	Read Latency .....	15
3.2.4	Operating Mode .....	16
3.3	Extended Mode Register .....	17
3.3.1	DLL Enable/Disable .....	17
3.3.2	Output Drive Strength .....	17
3.4	Commands .....	18
3.5	Operations .....	21
3.5.1	Bank/Row Activation .....	21
3.5.2	Reads .....	22
3.5.3	Writes .....	27
3.5.4	Precharge .....	41
3.5.5	Power-Down .....	42
3.6	Simplified State Diagram .....	47
<b>4</b>	<b>Electrical Characteristics</b> .....	<b>48</b>
4.1	Operating Conditions .....	48
4.2	Normal Strength Pull-down and Pull-up Characteristics .....	50
4.3	Weak Strength Pull-down and Pull-up Characteristics .....	52
4.4	AC Characteristics .....	54
4.4.1	$I_{DD}$ Current Measurement Conditions .....	59
<b>5</b>	<b>Timing Diagrams</b> .....	<b>60</b>
<b>6</b>	<b>Package Outlines</b> .....	<b>72</b>

**List of Tables**

Table 1	Performance . . . . .	8
Table 2	Ordering Information . . . . .	9
Table 3	Input/Output Functional Description . . . . .	11
Table 4	Burst Definition . . . . .	15
Table 5	Truth Table 1a: Commands . . . . .	20
Table 6	Truth Table 1b: DM Operation . . . . .	20
Table 7	Truth Table 2: Clock Enable (CKE) . . . . .	43
Table 8	Truth Table 3: Current State Bank n - Command to Bank n (same bank) . . . . .	43
Table 9	Truth Table 4: Current State Bank n - Command to Bank m (different bank) . . . . .	45
Table 10	Truth Table 5: Concurrent Auto Precharge . . . . .	46
Table 11	Absolute Maximum Ratings . . . . .	48
Table 12	Input and Output Capacitances . . . . .	48
Table 13	Electrical Characteristics and DC Operating Conditions . . . . .	49
Table 14	Normal Strength Pull-down and Pull-up Currents . . . . .	51
Table 15	Evaluation Conditions for I/O Driver Characteristics . . . . .	51
Table 16	Weak Strength Driver Pull-down and Pull-up Characteristics . . . . .	53
Table 17	AC Operating Conditions . . . . .	55
Table 18	Electrical Characteristics and AC Timing - Absolute Specifications -4/-5/-6 . . . . .	55
Table 19	$I_{DD}$ Conditions . . . . .	57
Table 20	$I_{DD}$ Specification . . . . .	58

## List of Figures

Figure 1	Pin Configuration P-TSOP16-66-1	10
Figure 2	Block Diagram (16 Mbit × 16)	12
Figure 3	Required CAS Latency	16
Figure 4	Activating a Specific Row in a Specific Bank	21
Figure 5	$t_{RCD}$ and $t_{RRD}$ Definition	21
Figure 6	Read Command	22
Figure 7	Consecutive Read Bursts (Burst Length = 4)	23
Figure 8	Non-Consecutive Read Bursts (Burst Length = 4)	23
Figure 9	Random Read Accesses (Burst Length = 2, 4 or 8)	24
Figure 10	Terminating a Read Burst (Burst Length = 8)	25
Figure 11	Read to Write (Burst Length = 4 or 8)	26
Figure 12	Read to Precharge (Burst Length = 4 or 8)	26
Figure 13	Write Command	28
Figure 14	Write Burst (Burst Length = 4)	29
Figure 15	Write to Write (Burst Length = 4)	30
Figure 16	Write to Write: Max. DQSS, Non-Consecutive (Burst Length = 4)	31
Figure 17	Random Write Cycles (Burst Length = 2, 4 or 8)	32
Figure 18	Write to Read: Non-Interrupting (CAS Latency = 3; Burst Length = 4)	33
Figure 19	Write to Read: Interrupting (CAS Latency = 3; Burst Length = 8)	34
Figure 20	Write to Read: Min. DQSS, Odd Number of Data (3-bit Write), Interrupting (CL3; BL8)	35
Figure 21	Write to Read: Nominal DQSS, Interrupting (CAS Latency = 3; Burst Length = 8)	36
Figure 22	Write to Precharge: Non-Interrupting (Burst Length = 4)	37
Figure 23	Write to Precharge: Interrupting (Burst Length = 4 or 8)	38
Figure 24	Write to Precharge: Minimum DQSS, Odd Number of Data (1-bit Write), Interrupting (BL 4 or 8)	39
Figure 25	Write to Precharge: Nominal DQSS (2-bit Write), Interrupting (Burst Length = 4 or 8)	40
Figure 26	Precharge Command	41
Figure 27	Power Down	42
Figure 28	Simplified State Diagram	47
Figure 29	Normal Strength Pull-down Characteristics	50
Figure 30	Normal Strength Pull-up Characteristics	50
Figure 31	Weak Strength Pull-down Characteristics	52
Figure 32	Weak Strength Pull-up Characteristics	52
Figure 33	AC Output Load Circuit Diagram / Timing Reference Load	54
Figure 34	Data Input (Write), Timing Burst Length = 4	60
Figure 35	Data Output (Read), Timing Burst Length = 4	60
Figure 36	Initialize and Mode Register Sets	61
Figure 37	Power Down Mode	62
Figure 38	Auto Refresh Mode	63
Figure 39	Self Refresh Mode	64
Figure 40	Read without Auto Precharge (Burst Length = 4)	65
Figure 41	Read with Auto Precharge (Burst Length = 4)	66
Figure 42	Bank Read Access (Burst Length = 4)	67
Figure 43	Write without Auto Precharge (Burst Length = 4)	68
Figure 44	Write with Auto Precharge (Burst Length = 4)	69
Figure 45	Bank Write Access (Burst Length = 4)	70
Figure 46	Write DM Operation (Burst Length = 4)	71
Figure 47	P-TSOP16-66-1 (Plastic Thin Small Outline Package Type II)	72

## 16M x 16 Double Data Rate Graphics DRAM DDR SGRAM

**HYB25D256163CE-4.0**  
**HYB25D256163CE-5.0**  
**HYB25D256163CE-6.0**

# 1 Overview

## 1.1 Features



- Double data rate architecture: two data transfers per clock cycle
- Bidirectional data strobe (DQS) is transmitted and received with data, to be used in capturing data at the receiver
- DQS is edge-aligned with data for reads and is center-aligned with data for writes
- Differential clock inputs (CK and  $\overline{CK}$ )
- Four internal banks for concurrent operation
- Data mask (DM) for write data
- DLL aligns DQ and DQS transitions with CK transitions
- Commands entered on each positive CK edge; data and data mask referenced to both edges of DQS
- Burst Lengths: 2, 4, or 8
- CAS Latency: 3
- Auto Precharge option for each burst access
- Auto Refresh and Self Refresh Modes
- 7.8  $\mu$ s Maximum Average Periodic Refresh Interval
- 2.5 V (SSTL\_2 compatible) I/O
- $V_{DDQ} = 2.6 \text{ V} \pm 0.1 \text{ V}$
- $V_{DD} = 2.6 \text{ V} \pm 0.1 \text{ V}$
- P-TSOP16-1 package
- Lead- and halogene-free = green product

**Table 1 Performance**

Part Number Speed Code		-4	-5	-6	Unit
max. Clock Frequency	@CL3 $f_{CK3}$	250	200	166	MHz



## 1.2 Description

The 16M x 16 Double Data Rate Graphics DRAM is a high-speed CMOS, dynamic random-access memory containing 268,435,456 bits. It is internally configured as a quad-bank DRAM.

The 16M x 16 Double Data Rate Graphics DRAM uses a double-data-rate architecture to achieve high-speed operation. The double data rate architecture is essentially a  $2n$  prefetch architecture with an interface designed to transfer two data words per clock cycle at the I/O pins. A single read or write access for the 16M x 16 Double Data Rate Graphics DRAM effectively consists of a single  $2n$ -bit wide, one clock cycle data transfer at the internal DRAM core and two corresponding  $n$ -bit wide, one-half-clock-cycle data transfers at the I/O pins.

A bidirectional data strobe (DQS) is transmitted externally, along with data, for use in data capture at the receiver. DQS is a strobe transmitted by the DDR SGRAM during Reads and by the memory controller during Writes. DQS is edge-aligned with data for Reads and center-aligned with data for Writes.

The 16M x 16 Double Data Rate Graphics DRAM operates from a differential clock (CK and  $\overline{CK}$ ; the crossing of CK going HIGH and  $\overline{CK}$  going LOW is referred to as the positive edge of CK). Commands (address and control signals) are registered at every positive edge of CK. Input data is registered on both edges of DQS, and output data is referenced to both edges of DQS, as well as to both edges of CK.

Read and write accesses to the DDR SGRAM are burst oriented; accesses start at a selected location and continue for a programmed number of locations in a programmed sequence. Accesses begin with the registration of an Active command, which is then followed by a Read or Write command. The address bits registered coincident with the Active command are used to select the bank and row to be accessed. The address bits registered coincident with the Read or Write command are used to select the bank and the starting column location for the burst access.

The DDR SGRAM provides for programmable Read or Write burst lengths of 2, 4 or 8 locations. An Auto Precharge function may be enabled to provide a self-timed row precharge that is initiated at the end of the burst access.

As with standard SDRAMs, the pipelined, multibank architecture of DDR SGRAMs allows for concurrent operation, thereby providing high effective bandwidth by hiding row precharge and activation time.

An auto refresh mode is provided along with a power-saving power-down mode. All inputs are compatible with the JEDEC Standard for SSTL\_2. All outputs are SSTL\_2, Class II compatible.

*Note: The functionality described and the timing specifications included in this data sheet are for the DLL Enabled mode of operation.*

**Table 2 Ordering Information**



Part Number <sup>1)</sup>	Organisation	Clock (MHz)	Package
HYB25D256163CE-4.0	×16	250	P-TSOPII-66-1
HYB25D256163CE-5.0		200	
HYB25D256163CE-6.0		166	

- 1) HYB: designator for memory components  
 25D: DDR SGRAMs at  $V_{DDQ} = 2.5\text{ V} / 2.6\text{ V}$   
 256: 256-Mbit density  
 C: Die Revision C

## 2 Pin Configuration

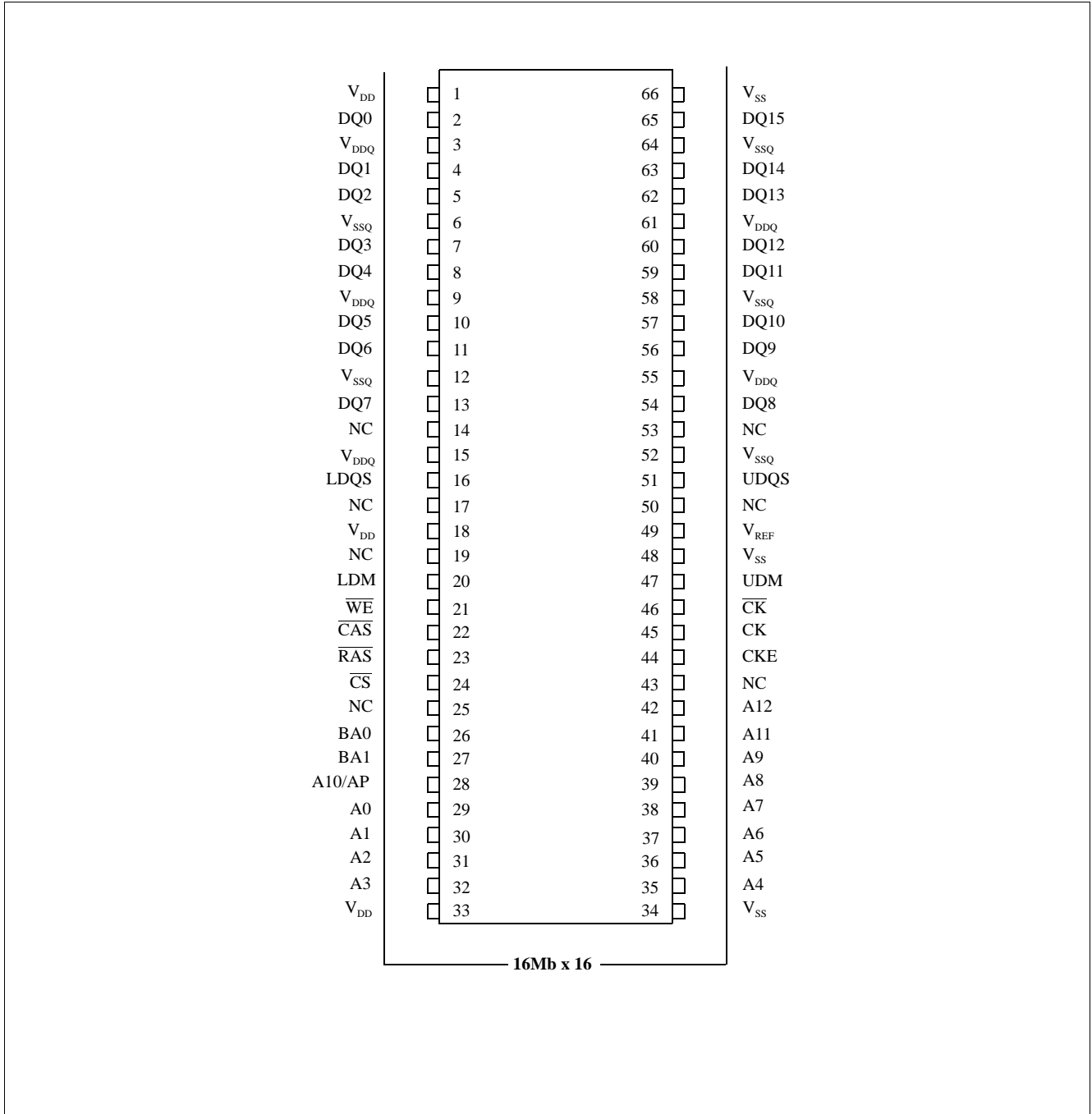


Figure 1 Pin Configuration P-TSOPII-66-1

**Table 3 Input/Output Functional Description**

Symbol	Type	Function
CK, $\overline{CK}$	Input	<b>Clock:</b> CK and $\overline{CK}$ are differential clock inputs. All address and control input signals are sampled on the crossing of the positive edge of CK and negative edge of $\overline{CK}$ . Output (read) data is referenced to the crossings of CK and $\overline{CK}$ (both directions of crossing).
CKE	Input	<b>Clock Enable:</b> CKE HIGH activates, and CKE Low deactivates, internal clock signals and device input buffers and output drivers. Taking CKE Low provides Precharge Power-Down and Self Refresh operation (all banks idle), or Active Power-Down (row Active in any bank). CKE is synchronous for power down entry and exit, and for self refresh entry. CKE is asynchronous for self refresh exit. CKE must be maintained high throughout read and write accesses. Input buffers, excluding CK, $\overline{CK}$ and CKE are disabled during power-down. Input buffers, excluding CKE, are disabled during self refresh.
$\overline{CS}$	Input	<b>Chip Select:</b> All commands are masked when $\overline{CS}$ is registered HIGH. $\overline{CS}$ provides for external bank selection on systems with multiple banks. $\overline{CS}$ is considered part of the command code. The standard pinout includes one $\overline{CS}$ pin.
$\overline{RAS}$ , $\overline{CAS}$ , $\overline{WE}$	Input	<b>Command Inputs:</b> $\overline{RAS}$ , $\overline{CAS}$ and $\overline{WE}$ (along with $\overline{CS}$ ) define the command being entered.
DM	Input	<b>Input Data Mask:</b> DM is an input mask signal for write data. Input data is masked when DM is sampled HIGH coincident with that input data during a Write access. DM is sampled on both edges of DQS. Although DM pins are input only, the DM loading matches the DQ and DQS loading.
BA0, BA1	Input	<b>Bank Address Inputs:</b> BA0 and BA1 define to which bank an Active, Read, Write or Precharge command is being applied. BA0 and BA1 also determines if the mode register or extended mode register is to be accessed during a MRS or EMRS cycle.
A0 - A12	Input	<b>Address Inputs:</b> Provide the row address for Active commands, and the column address and Auto Precharge bit for Read/Write commands, to select one location out of the memory array in the respective bank. A10 is sampled during a Precharge command to determine whether the Precharge applies to one bank (A10 LOW) or all banks (A10 HIGH). If only one bank is to be precharged, the bank is selected by BA0, BA1. The address inputs also provide the op-code during a Mode Register Set command.
DQ	Input/Output	<b>Data Input/Output:</b> Data bus.
DQS	Input/Output	<b>Data Strobe:</b> Output with read data, input with write data. Edge-aligned with read data, centered in write data. Used to capture data.
NC	–	<b>No Connect:</b> No internal electrical connection is present.
$V_{DDQ}$	Supply	<b>DQ Power Supply:</b> 2.6 V $\pm$ 0.1 V.
$V_{SSQ}$	Supply	<b>DQ Ground</b>
$V_{DD}$	Supply	<b>Power Supply:</b> 2.6 V $\pm$ 0.1 V.
$V_{SS}$	Supply	<b>Ground</b>
$V_{REF}$	Supply	<b>SSTL_2 Reference Voltage:</b> $V_{DDQ}/2$

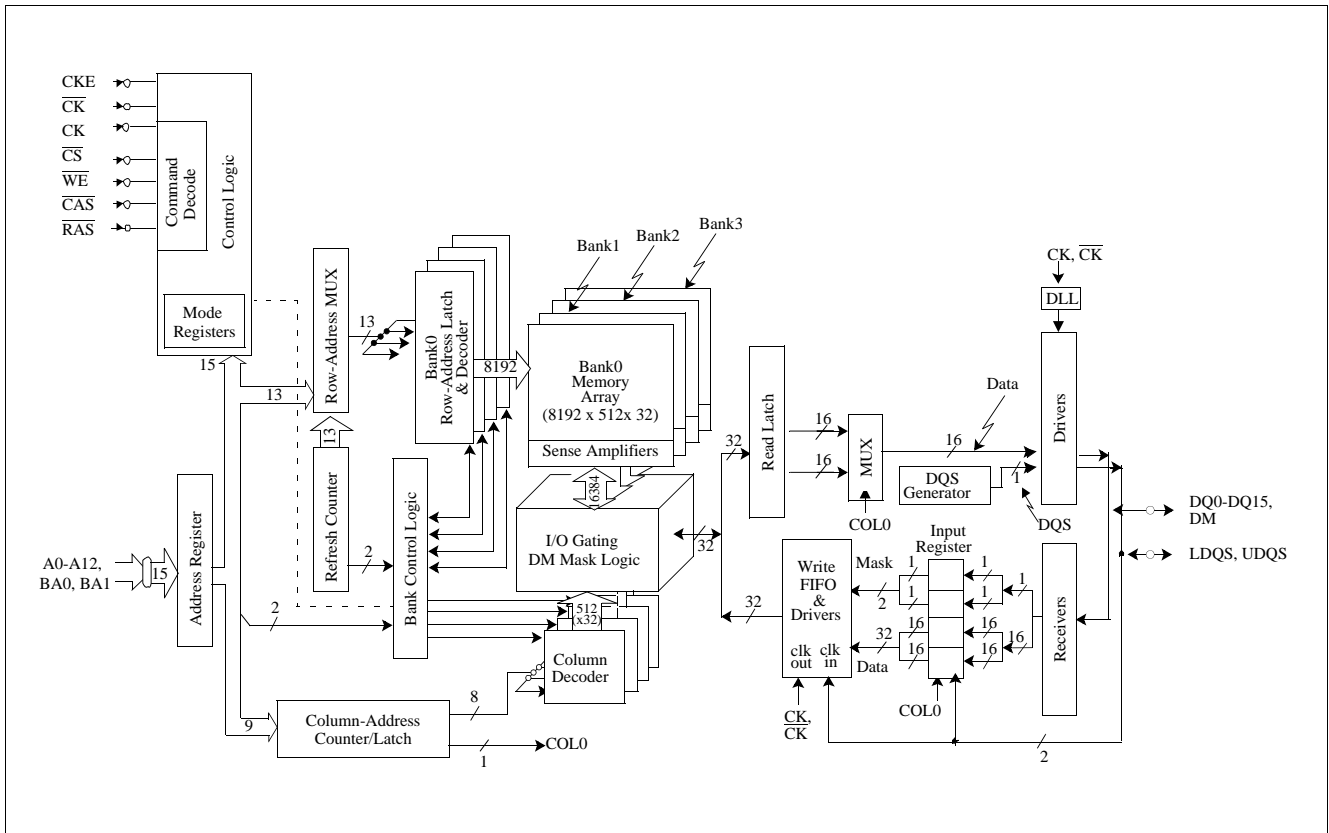


Figure 2 Block Diagram (16 Mbit x 16)

Notes

1. This Functional Block Diagram is intended to facilitate user understanding of the operation of the device; it does not represent an actual circuit implementation.
2. UDM and LDM are unidirectional signals (input only), but is internally loaded to match the load of the bidirectional DQ, UDQS and LDQS signals.

### 3 Functional Description

The 16M x 16 Double Data Rate Graphics DRAM is a high-speed CMOS, dynamic random-access memory containing 268,435,456 bits. The 16M x 16 Double Data Rate Graphics DRAM is internally configured as a quad-bank DRAM.

The 16M x 16 Double Data Rate Graphics DRAM uses a double-data-rate architecture to achieve high-speed operation. The double-data-rate architecture is essentially a  $2n$  prefetch architecture, with an interface designed to transfer two data words per clock cycle at the I/O pins. A single read or write access for the 16M x 16 Double Data Rate Graphics DRAM consists of a single  $2n$ -bit wide, one clock cycle data transfer at the internal DRAM core and two corresponding  $n$ -bit wide, one-half clock cycle data transfers at the I/O pins.

Read and write accesses to the DDR SGRAM are burst oriented; accesses start at a selected location and continue for a programmed number of locations in a programmed sequence. Accesses begin with the registration of an Active command, which is then followed by a Read or Write command. The address bits registered coincident with the Active command are used to select the bank and row to be accessed (BA0, BA1 select the bank; A0-A12 select the row). The address bits registered coincident with the Read or Write command are used to select the starting column location for the burst access.

Prior to normal operation, the DDR SGRAM must be initialized. The following sections provide detailed information covering device initialization, register definition, command descriptions and device operation.

#### 3.1 Initialization

DDR SGRAMs must be powered up and initialized in a predefined manner. Operational procedures other than those specified may result in undefined operation. The following criteria must be met:

No power sequencing is specified during power up or power down given the following criteria:

- $V_{DD}$  and  $V_{DDQ}$  are driven from a single power converter output
- $V_{TT}$  meets the specification
- A minimum resistance of  $42\ \Omega$  limits the input current from the  $V_{TT}$  supply into any pin and  $V_{REF}$  tracks  $V_{DDQ}/2$

or the following relationship must be followed:

- $V_{DDQ}$  is driven after or with  $V_{DD}$  such that  $V_{DDQ} < V_{DD} + 0.3\ V$
- $V_{TT}$  is driven after or with  $V_{DDQ}$  such that  $V_{TT} < V_{DDQ} + 0.3\ V$
- $V_{REF}$  is driven after or with  $V_{DDQ}$  such that  $V_{REF} < V_{DDQ} + 0.3\ V$

The DQ and DQS outputs are in the High-Z state, where they remain until driven in normal operation (by a read access). After all power supply and reference voltages are stable, and the clock is stable, the DDR SGRAM requires a 200  $\mu$ s delay prior to applying an executable command.

Once the 200  $\mu$ s delay has been satisfied, a Deselect or NOP command should be applied, and CKE should be brought HIGH. Following the NOP command, a Precharge ALL command should be applied. Next a Mode Register Set command should be issued for the Extended Mode Register, to enable the DLL, then a Mode Register Set command should be issued for the Mode Register, to reset the DLL, and to program the operating parameters. 200 clock cycles are required between the DLL reset and any executable command. During the 200 cycles of clock for DLL locking, a Deselect or NOP command must be applied. After the 200 clock cycles, a Precharge ALL command should be applied, placing the device in the "all banks idle" state.

Once in the idle state, two AUTO REFRESH cycles must be performed. Additionally, a Mode Register Set command for the Mode Register, with the reset DLL bit deactivated (i.e. to program operating parameters without resetting the DLL) must be performed. Following these cycles, the DDR SGRAM is ready for normal operation.

### 3.2 Mode Register Definition

The Mode Register is used to define the specific mode of operation of the DDR SGRAM. This definition includes the selection of a burst length, a burst type, a CAS latency, and an operating mode. The Mode Register is programmed via the Mode Register Set command (with BA0 = 0 and BA1 = 0) and retains the stored information until it is programmed again or the device loses power (except for bit A8, which is self-clearing).

Mode Register bits A0-A2 specify the burst length, A3 specifies the type of burst (sequential or interleaved), A4-A6 specify the CAS latency, and A7-A12 specify the operating mode.

The Mode Register must be loaded when all banks are idle, and the controller must wait the specified time before initiating the subsequent operation. Violating either of these requirements results in unspecified operation.

#### MR

#### Mode Register Definition

(BA[1:0] = 00<sub>2</sub>)

BA1	BA0	A12	A11	A10	A9	A8	A7	A6	A5	A4	A3	A2	A1	A0
0	0	MODE						CL		BT	BL			
reg. addr		w						w		w	w			

Field	Bits	Type	Description
BL	[2:0]	w	<b>Burst Length</b> Number of sequential bits per DQ related to one read/write command; see <a href="#">Chapter 3.2.1</a> . <i>Note: All other bit combinations are RESERVED.</i>  001 2 010 4 011 8
BT	3	w	<b>Burst Type</b> See <a href="#">Table 4</a> for internal address sequence of low order address bits; see <a href="#">Chapter 3.2.2</a> . 0 Sequential 1 Interleaved
CL	[6:4]	w	<b>CAS Latency</b> Number of full clocks from read command to first data valid window; see <a href="#">Chapter 3.2.3</a> . <i>Note: All other bit combinations are RESERVED.</i>  011 3
MODE	[12:7]	w	<b>Operating Mode</b> See <a href="#">Chapter 3.2.4</a> . <i>Note: The device switches the bit back automatically. All other bit combinations are RESERVED.</i>  000000 Normal Operation without DLL Reset 000010 Normal Operation with DLL Reset

#### 3.2.1 Burst Length

Read and write accesses to the DDR SGRAM are burst oriented, with the burst length being programmable. The burst length determines the maximum number of column locations that can be accessed for a given Read or Write command. Burst lengths of 2, 4, or 8 locations are available for both the sequential and the interleaved burst types. Reserved states should not be used, as unknown operation or incompatibility with future versions may result.

When a Read or Write command is issued, a block of columns equal to the burst length is effectively selected. All accesses for that burst take place within this block, meaning that the burst wraps within the block if a boundary is reached. The block is uniquely selected by A1-Ai when the burst length is set to two, by A2-Ai when the burst length is set to four and by A3-Ai when the burst length is set to eight (where Ai is the most significant column address bit

for a given configuration). The remaining (least significant) address bit(s) is (are) used to select the starting location within the block. The programmed burst length applies to both Read and Write bursts.

### 3.2.2 Burst Type

Accesses within a given burst may be programmed to be either sequential or interleaved; this is referred to as the burst type and is selected via bit A3. The ordering of accesses within a burst is determined by the burst length, the burst type and the starting column address, as shown in [Table 4](#).

**Table 4 Burst Definition**

Burst Length	Starting Column Address			Order of Accesses Within a Burst	
	A2	A1	A0	Type = Sequential	Type = Interleaved
2			0	0-1	0-1
			1	1-0	1-0
4		0	0	0-1-2-3	0-1-2-3
		0	1	1-2-3-0	1-0-3-2
		1	0	2-3-0-1	2-3-0-1
		1	1	3-0-1-2	3-2-1-0
8	0	0	0	0-1-2-3-4-5-6-7	0-1-2-3-4-5-6-7
	0	0	1	1-2-3-4-5-6-7-0	1-0-3-2-5-4-7-6
	0	1	0	2-3-4-5-6-7-0-1	2-3-0-1-6-7-4-5
	0	1	1	3-4-5-6-7-0-1-2	3-2-1-0-7-6-5-4
	1	0	0	4-5-6-7-0-1-2-3	4-5-6-7-0-1-2-3
	1	0	1	5-6-7-0-1-2-3-4	5-4-7-6-1-0-3-2
	1	1	0	6-7-0-1-2-3-4-5	6-7-4-5-2-3-0-1
	1	1	1	7-0-1-2-3-4-5-6	7-6-5-4-3-2-1-0

#### Notes

1. For a burst length of two, A1-Ai selects the two-data-element block; A0 selects the first access within the block.
2. For a burst length of four, A2-Ai selects the four-data-element block; A0-A1 selects the first access within the block.
3. For a burst length of eight, A3-Ai selects the eight-data-element block; A0-A2 selects the first access within the block.
4. Whenever a boundary of the block is reached within a given sequence above, the following access wraps within the block.

### 3.2.3 Read Latency

The Read latency, or CAS latency, is the delay, in clock cycles, between the registration of a Read command and the availability of the first burst of output data. The latency has a clock cycle of 3.

If a Read command is registered at clock edge  $n$ , and the latency is  $m$  clocks, the data is available nominally coincident with clock edge  $n + m$  (see [Figure 3](#))

Reserved states should not be used as unknown operation or incompatibility with future versions may result.

### 3.2.4 Operating Mode

The normal operating mode is selected by issuing a Mode Register Set Command with bits A7-A12 set to zero, and bits A0-A6 set to the desired values. A DLL reset is initiated by issuing a Mode Register Set command with bits A7 and A9-A12 each set to zero, bit A8 set to one, and bits A0-A6 set to the desired values. A Mode Register Set command issued to reset the DLL should always be followed by a Mode Register Set command to select normal operating mode.

All other combinations of values for A7-A12 are reserved for future use and/or test modes. Test modes and reserved states should not be used as unknown operation or incompatibility with future versions may result.

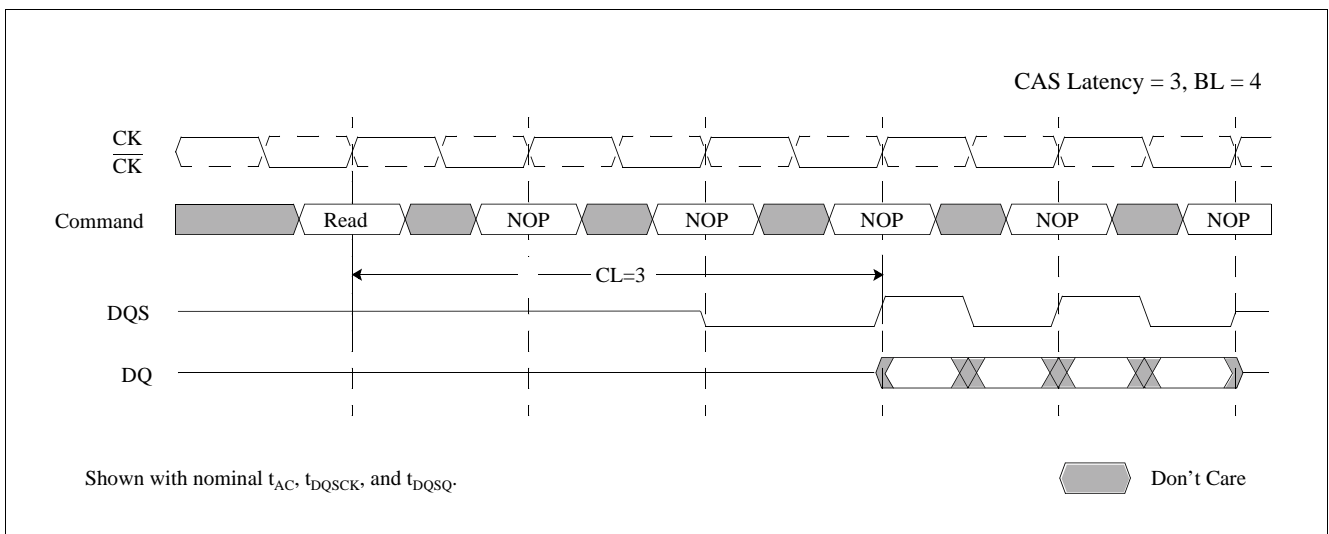


Figure 3 Required CAS Latency



### 3.3 Extended Mode Register

The Extended Mode Register controls functions beyond those controlled by the Mode Register; these additional functions include DLL enable/disable, and output drive strength selection (optional). These functions are controlled via the bits shown in the Extended Mode Register Definition. The Extended Mode Register is programmed via the Mode Register Set command (with BA0 = 1 and BA1 = 0) and retains the stored information until it is programmed again or the device loses power. The Extended Mode Register must be loaded when all banks are idle, and the controller must wait the specified time before initiating any subsequent operation. Violating either of these requirements result in unspecified operation.

#### 3.3.1 DLL Enable/Disable

The DLL must be enabled for normal operation. DLL enable is required during power up initialization, and upon returning to normal operation after having disabled the DLL for the purpose of debug or evaluation. The DLL is automatically disabled when entering self refresh operation and is automatically re-enabled upon exit of self refresh operation. Any time the DLL is enabled, 200 clock cycles must occur before a Read command can be issued. This is the reason 200 clock cycles must occur before issuing a Read or Write command upon exit of self refresh operation.

#### 3.3.2 Output Drive Strength

The normal drive strength for all outputs is specified to be SSTL\_2, Class II. In addition this design version supports a weak driver mode for lighter load and/or point-to-point environments which can be activated during mode register set. *I-V* curves for the normal and weak drive strength are included in this document.

#### EMR

##### Extended Mode Register Definition (BA[1:0] = 01<sub>B</sub>)

BA1	BA0	A12	A11	A10	A9	A8	A7	A6	A5	A4	A3	A2	A1	A0	
0	1												DS	DLL	
reg. addr													w	w	w

Field	Bits	Type	Description
DLL	0	w	<b>DLL Status</b> See <a href="#">Chapter 3.3.1</a> . 0 Enabled 1 Disabled
DS	1	w	<b>Drive Strength</b> See <a href="#">Chapter 3.3.2</a> , <a href="#">Chapter 4.2</a> and <a href="#">Chapter 4.3</a> . 0 Normal 1 Weak
MODE	[12:2]	w	<b>Operating Mode</b> <i>Note: All other bit combinations are RESERVED.</i> 0 Normal Operation

### 3.4 Commands

#### Deselect

The Deselect function prevents new commands from being executed by the DDR SGRAM. The DDR SGRAM is effectively deselected. Operations already in progress are not affected.

#### No Operation (NOP)

The No Operation (NOP) command is used to perform a NOP to a DDR SGRAM. This prevents unwanted commands from being registered during idle or wait states. Operations already in progress are not affected.

#### Mode Register Set

The mode registers are loaded via inputs A0-A12, BA0 and BA1. See mode register descriptions in [Chapter 3.2](#). The Mode Register Set command can only be issued when all banks are idle and no bursts are in progress. A subsequent executable command cannot be issued until  $t_{MRD}$  is met.

#### Active

The Active command is used to open (or activate) a row in a particular bank for a subsequent access. The value on the BA0, BA1 inputs selects the bank, and the address provided on inputs A0-A12 selects the row. This row remains active (or open) for accesses until a Precharge (or Read or Write with Auto Precharge) is issued to that bank. A Precharge (or Read or Write with Auto Precharge) command must be issued and completed before opening a different row in the same bank.

#### Read

The Read command is used to initiate a burst read access to an active (open) row. The value on the BA0, BA1 inputs selects the bank, and the address provided on inputs A0-A8 selects the starting column location. The value on input A10 determines whether or not Auto Precharge is used. If Auto Precharge is selected, the row being accessed is precharged at the end of the Read burst; if Auto Precharge is not selected, the row remains open for subsequent accesses.

#### Write

The Write command is used to initiate a burst write access to an active (open) row. The value on the BA0, BA1 inputs selects the bank, and the address provided on inputs A0-A8 selects the starting column location. The value on input A10 determines whether or not Auto Precharge is used. If Auto Precharge is selected, the row being accessed is precharged at the end of the Write burst; if Auto Precharge is not selected, the row remains open for subsequent accesses. Input data appearing on the DQs is written to the memory array subject to the DM input logic level appearing coincident with the data. If a given DM signal is registered low, the corresponding data is written to memory; if the DM signal is registered high, the corresponding data inputs are ignored, and a Write is not executed to that byte/column location.

#### Precharge

The Precharge command is used to deactivate (close) the open row in a particular bank or the open row(s) in all banks. The bank(s) will be available for a subsequent row access a specified time ( $t_{RP}$ ) after the Precharge command is issued. Input A10 determines whether one or all banks are to be precharged, and in the case where only one bank is to be precharged, inputs BA0, BA1 select the bank. Otherwise BA0, BA1 are treated as "Don't Care". Once a bank has been precharged, it is in the idle state and must be activated prior to any Read or Write commands being issued to that bank. A precharge command is treated as a NOP if there is no open row in that bank, or if the previously open row is already in the process of precharging.

### Auto Precharge

Auto Precharge is a feature which performs the same individual-bank precharge functions described above, but without requiring an explicit command. This is accomplished by using A10 to enable Auto Precharge in conjunction with a specific Read or Write command. A precharge of the bank/row that is addressed with the Read or Write command is automatically performed upon completion of the Read or Write burst. Auto Precharge is nonpersistent in that it is either enabled or disabled for each individual Read or Write command. Auto Precharge ensures that the precharge is initiated at the earliest valid stage within a burst. The user must not issue another command to the same bank until the precharge ( $t_{RP}$ ) is completed. This is determined as if an explicit Precharge command was issued at the earliest possible time, as described for each burst type in [Chapter 3.5](#).

### Burst Terminate

The Burst Terminate command is used to truncate read bursts (with Auto Precharge disabled). The most recently registered Read command prior to the Burst Terminate command is truncated, as shown in [Chapter 3.5](#).

### Auto Refresh

Auto Refresh is used during normal operation of the DDR SGRAM and is analogous to  $\overline{CAS}$  Before  $\overline{RAS}$  (CBR) Refresh in previous DRAM types. This command is nonpersistent, so it must be issued each time a refresh is required.

The refresh addressing is generated by the internal refresh controller. This makes the address bits "Don't Care" during an Auto Refresh command. The 16M x 16 Double Data Rate Graphics DRAM requires Auto Refresh cycles at an average periodic interval of 7.8  $\mu$ s (maximum).

To allow for improved efficiency in scheduling and switching between tasks, some flexibility in the absolute refresh interval is provided. A maximum of eight Auto Refresh commands can be posted in the system, meaning that the maximum absolute interval between any Auto Refresh command and the next Auto Refresh command is  $9 \times 7.8 \mu$ s (70.2  $\mu$ s). This maximum absolute interval is short enough to allow for DLL updates internal to the DDR SGRAM to be restricted to Auto Refresh cycles, without allowing too much drift in  $t_{AC}$  between updates.

### Self Refresh

The Self Refresh command can be used to retain data in the DDR SGRAM, even if the rest of the system is powered down. When in the self refresh mode, the DDR SGRAM retains data without external clocking. The Self Refresh command is initiated as an Auto Refresh command coincident with CKE transitioning low. The DLL is automatically disabled upon entering Self Refresh, and is automatically enabled upon exiting Self Refresh (200 clock cycles must then occur before a Read command can be issued). Input signals except CKE (low) are "Don't Care" during Self Refresh operation.

The procedure for exiting self refresh requires a sequence of commands. CK (and  $\overline{CK}$ ) must be stable prior to CKE returning high. Once CKE is high, the SDRAM must have NOP commands issued for  $t_{XSNR}$  because time is required for the completion of any internal refresh in progress. A simple algorithm for meeting both refresh and DLL requirements is to apply NOPs for 200 clock cycles before applying any other command.

**Functional Description**

**Table 5 Truth Table 1a: Commands**

Name (Function)	$\overline{CS}$	$\overline{RAS}$	$\overline{CAS}$	$\overline{WE}$	Address	MNE	Notes
Deselect (NOP)	H	X	X	X	X	NOP	1)2)
No Operation (NOP)	L	H	H	H	X	NOP	1)2)
Active (Select Bank And Activate Row)	L	L	H	H	Bank/Row	ACT	1)3)
Read (Select Bank And Column, And Start Read Burst)	L	H	L	H	Bank/Col	Read	1)4)
Write (Select Bank And Column, And Start Write Burst)	L	H	L	L	Bank/Col	Write	1)4)
Burst Terminate	L	H	H	L	X	BST	1)5)
Precharge (Deactivate Row In Bank Or Banks)	L	L	H	L	Code	PRE	1)6)
Auto Refresh Or Self Refresh (Enter Self Refresh Mode)	L	L	L	H	X	AR/SR	1)7)8)
Mode Register Set	L	L	L	L	Op-Code	MRS	1)9)

- 1) CKE is HIGH for all commands shown except Self Refresh.
- 2) Deselect and NOP are functionally interchangeable.
- 3) BA0-BA1 provide bank address and A0-A12 provide row address.
- 4) BA0, BA1 provide bank address; A0-A8 provide column address; A10 HIGH enables the Auto Precharge feature (nonpersistent), A10 LOW disables the Auto Precharge feature.
- 5) Applies only to read bursts with Auto Precharge disabled; this command is undefined (and should not be used) for read bursts with Auto Precharge enabled or for write bursts.
- 6) A10 LOW: BA0, BA1 determine which bank is precharged. A10 HIGH: all banks are precharged and BA0, BA1 are "Don't Care".
- 7) This command is Auto Refresh if CKE is HIGH; Self Refresh if CKE is LOW.
- 8) Internal refresh counter controls row and bank addressing; all inputs and I/Os are "Don't Care" except for CKE.
- 9) BA0, BA1 select either the Base or the Extended Mode Register (BA0 = 0, BA1 = 0 selects Mode Register; BA0 = 1, BA1 = 0 selects Extended Mode Register; other combinations of BA0-BA1 are reserved; A0-A12 provide the op-code to be written to the selected Mode Register).

**Table 6 Truth Table 1b: DM Operation**

Name (Function)	DM	DQs	Notes
Write Enable	L	Valid	1)
Write Inhibit	H	X	1)

- 1) Used to mask write data; provided coincident with the corresponding data.

### 3.5 Operations

#### 3.5.1 Bank/Row Activation

Before any Read or Write commands can be issued to a bank within the DDR SGRAM, a row in that bank must be "opened" (activated). This is accomplished via the Active command and addresses A0-A12, BA0 and BA1 (see **Figure 4**), which decode and select both the bank and the row to be activated. After opening a row (issuing an Active command), a Read or Write command may be issued to that row, subject to the  $t_{RCD}$  specification. A subsequent Active command to a different row in the same bank can only be issued after the previous active row has been "closed" (precharged). The minimum time interval between successive Active commands to the same bank is defined by  $t_{RC}$ . A subsequent Active command to another bank can be issued while the first bank is being accessed, which results in a reduction of total row-access overhead. The minimum time interval between successive Active commands to different banks is defined by  $t_{RRD}$ .

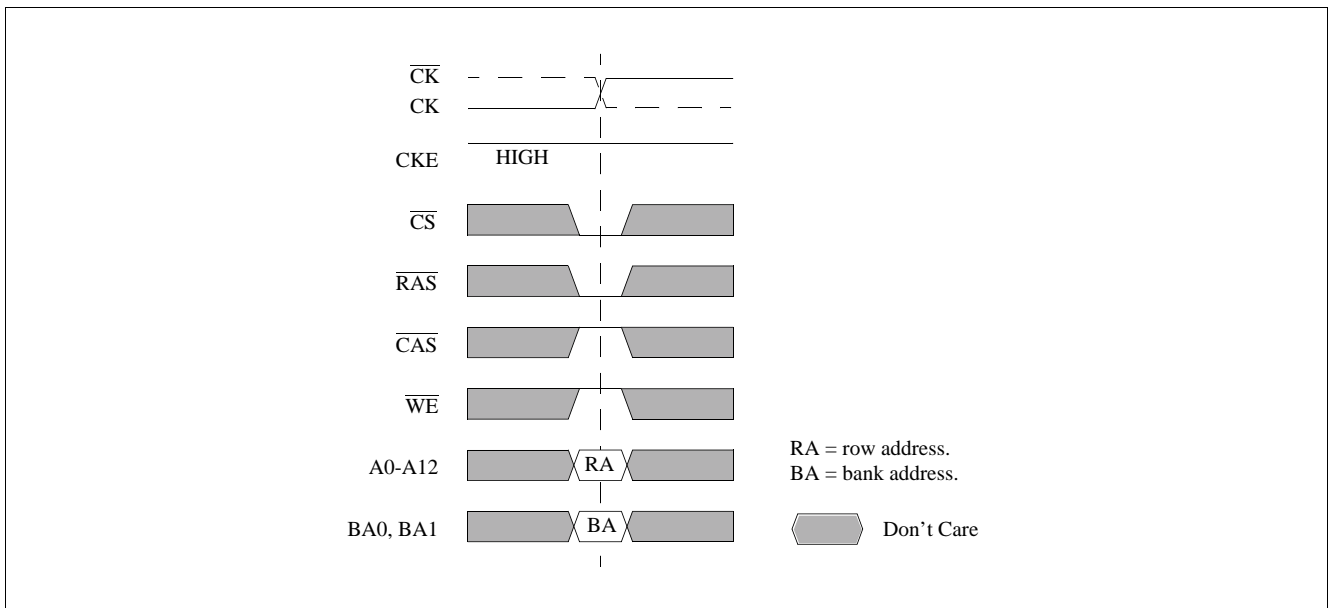


Figure 4 Activating a Specific Row in a Specific Bank

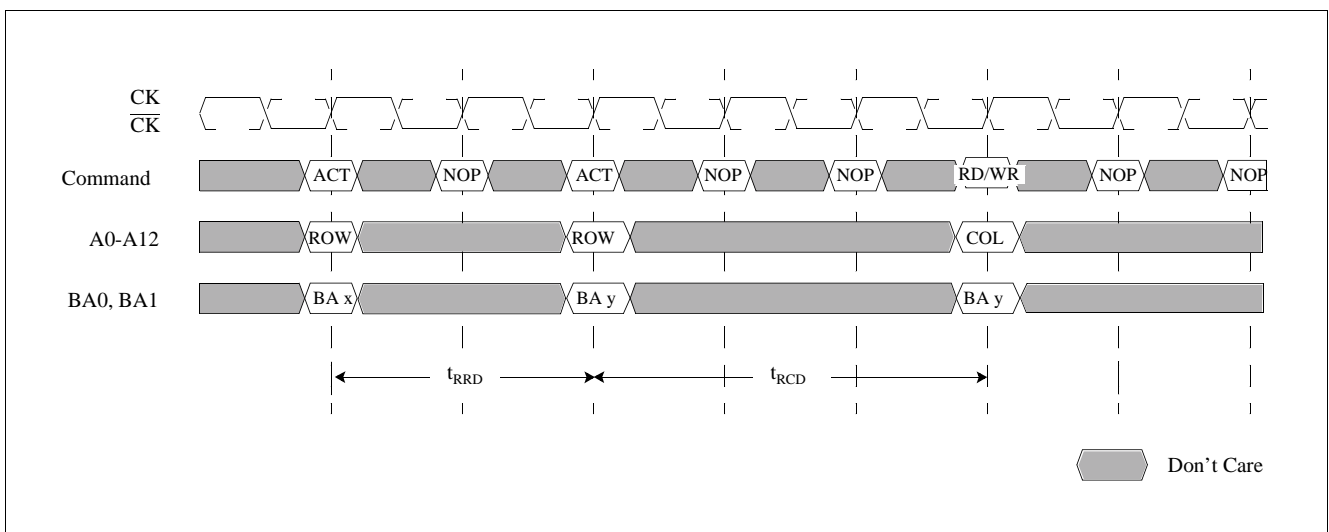


Figure 5  $t_{RCD}$  and  $t_{RRD}$  Definition

### 3.5.2 Reads

Subsequent to programming the mode register with CAS latency, burst type, and burst length, Read bursts are initiated with a Read command, as shown on **Figure 6**.

The starting column and bank addresses are provided with the Read command and Auto Precharge is either enabled or disabled for that burst access. If Auto Precharge is enabled, the row that is accessed starts precharge at the completion of the burst, provided  $t_{RAS}$  has been satisfied. For the generic Read commands used in the following illustrations, Auto Precharge is disabled.

During Read bursts, the valid data-out element from the starting column address is available following the CAS latency after the Read command. Each subsequent data-out element is valid nominally at the next positive or negative clock edge (i.e. at the next crossing of CK and  $\overline{CK}$ ). (**Figure 10**) shows general timing for each supported CAS latency setting. DQS is driven by the DDR SGRAM along with output data. The initial low state on DQS is known as the read preamble; the low state coincident with the last data-out element is known as the read postamble. Upon completion of a burst, assuming no other commands have been initiated, the DQs goes High-Z. Data from any Read burst may be concatenated with or truncated with data from a subsequent Read command. In either case, a continuous flow of data can be maintained. The first data element from the new burst follows either the last element of a completed burst or the last desired data element of a longer burst which is being truncated. The new Read command should be issued x cycles after the first Read command, where x equals the number of desired data element pairs (pairs are required by the 2n prefetch architecture). This is shown on **Figure 7**. A Read command can be initiated on any clock cycle following a previous Read command. Nonconsecutive Read data is illustrated on **Figure 8**. Full-speed Random Read Accesses: CAS Latencies (Burst Length = 2, 4 or 8) within a page (or pages) can be performed as shown on **Figure 9**.

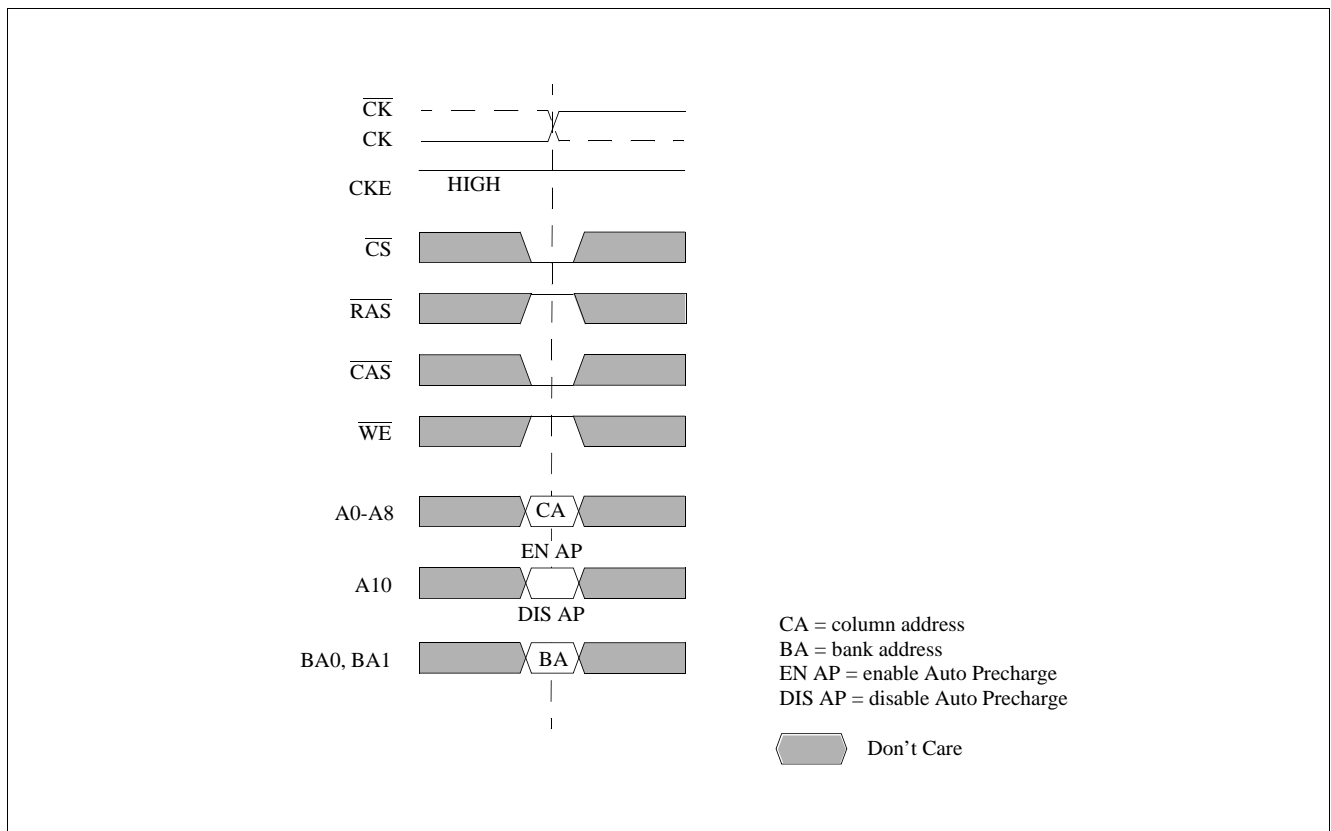


Figure 6 Read Command

Functional Description

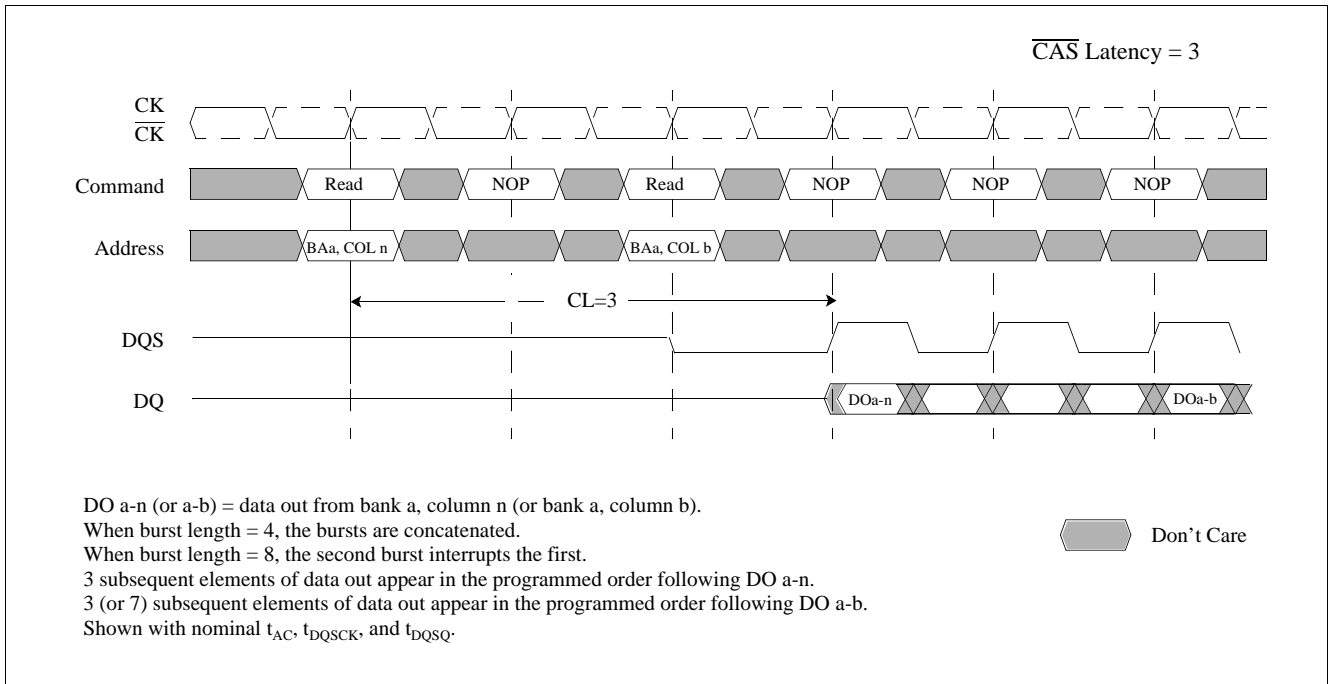


Figure 7 Consecutive Read Bursts (Burst Length = 4)

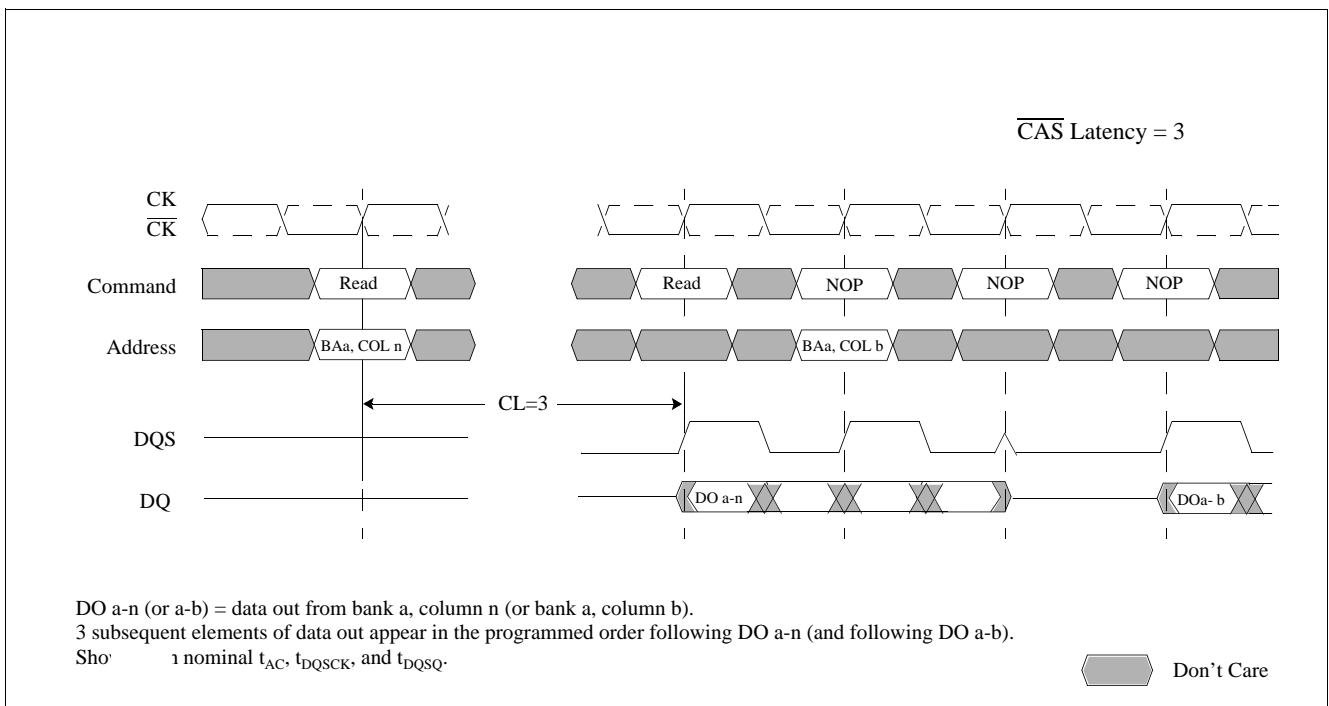


Figure 8 Non-Consecutive Read Bursts (Burst Length = 4)

Functional Description

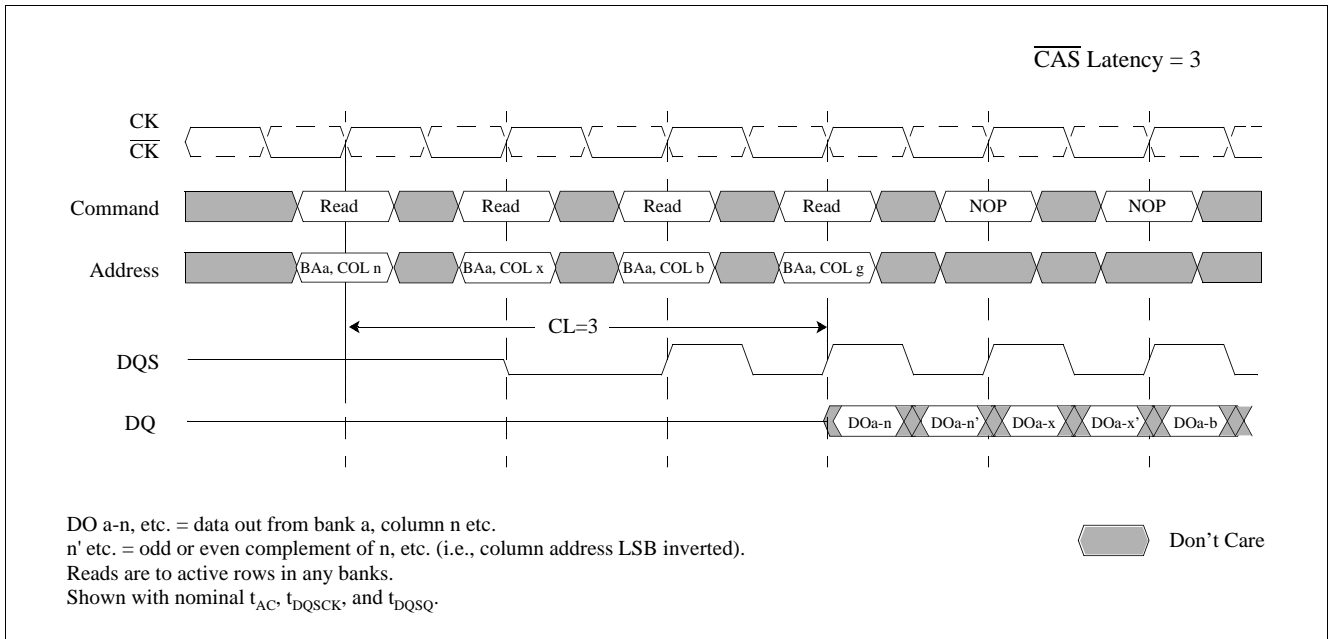


Figure 9 Random Read Accesses (Burst Length = 2, 4 or 8)



Functional Description

Data from any Read burst may be truncated with a Burst Terminate command, as shown on **Figure 10**. The Burst Terminate latency is equal to the read (CAS) latency, i.e. the Burst Terminate command should be issued x cycles after the Read command, where x equals the number of desired data element pairs.

Data from any Read burst must be completed or truncated before a subsequent Write command can be issued. If truncation is necessary, the Burst Terminate command must be used, as shown on **Figure 11**. The example is shown for  $t_{DQSS(min)}$ . The  $t_{DQSS(max)}$  case, not shown here, has a longer bus idle time.  $t_{DQSS(min)}$  and  $t_{DQSS(max)}$  are defined in **Chapter 3.5.3**.

A Read burst may be followed by, or truncated with, a Precharge command to the same bank (provided that Auto Precharge was not activated). The Precharge command should be issued x cycles after the Read command, where x equals the number of desired data element pairs (pairs are required by the 2n prefetch architecture). This is shown on **Figure 12** for Read latencies of 2 and 2.5. Following the Precharge command, a subsequent command to the same bank cannot be issued until  $t_{RP}$  is met. Note that part of the row precharge time is hidden during the access of the last data elements.

In the case of a Read being executed to completion, a Precharge command issued at the optimum time (as described above) provides the same operation that would result from the same Read burst with Auto Precharge enabled. The disadvantage of the Precharge command is that it requires that the command and address busses be available at the appropriate time to issue the command. The advantage of the Precharge command is that it can be used to truncate bursts.

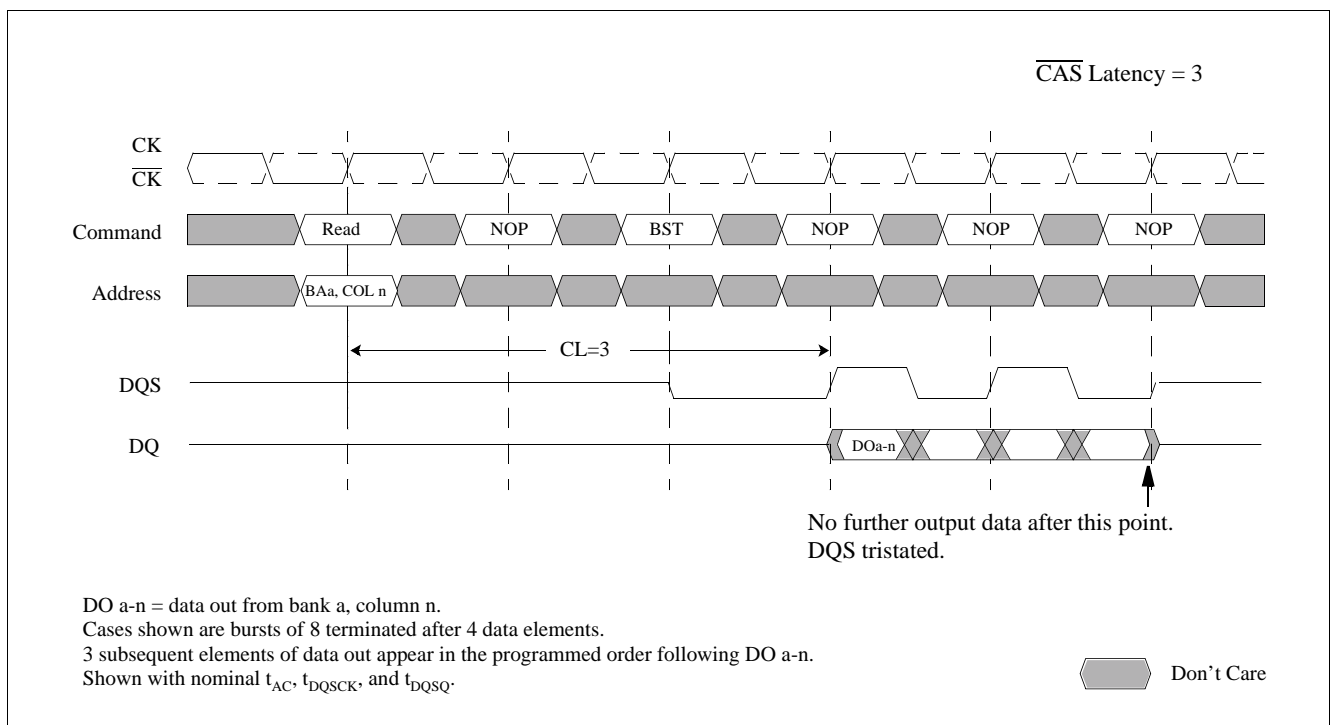


Figure 10 Terminating a Read Burst (Burst Length = 8)

Functional Description

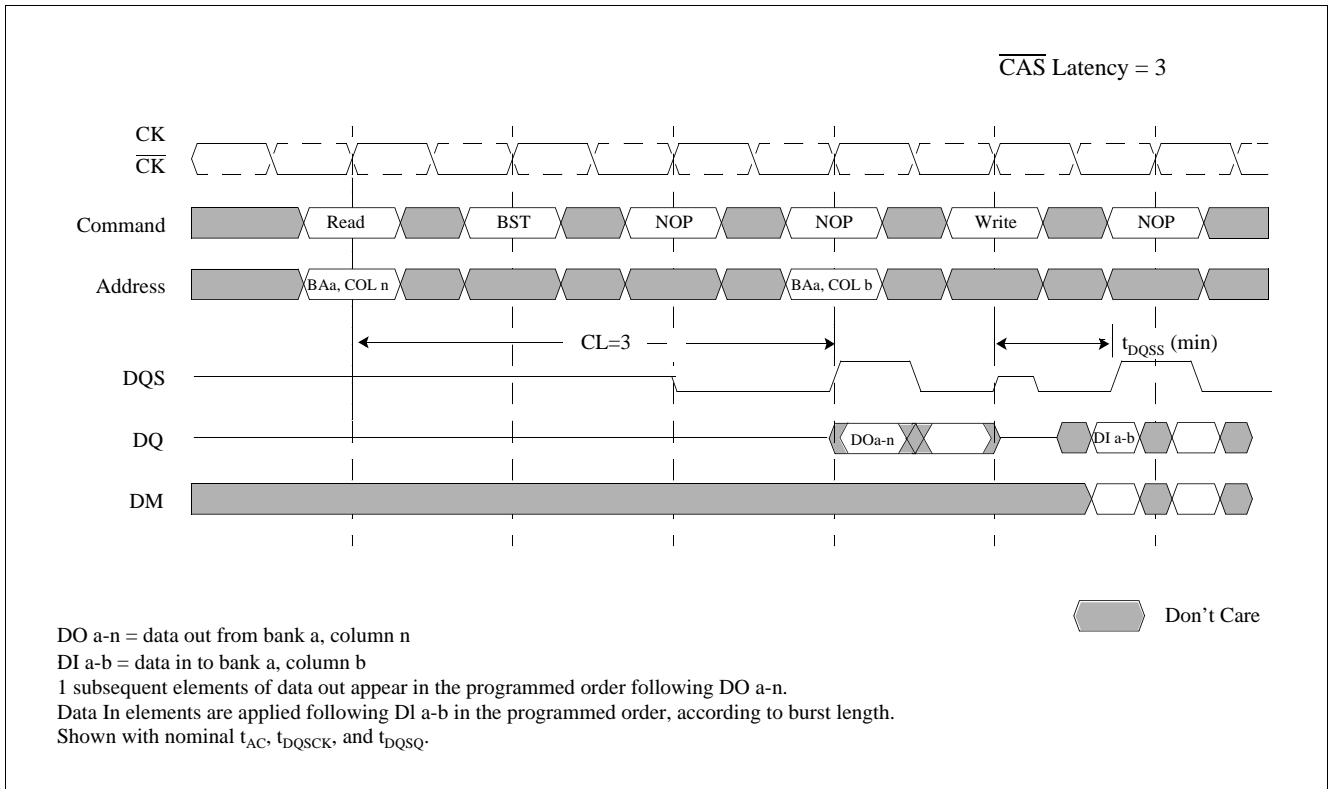


Figure 11 Read to Write (Burst Length = 4 or 8)

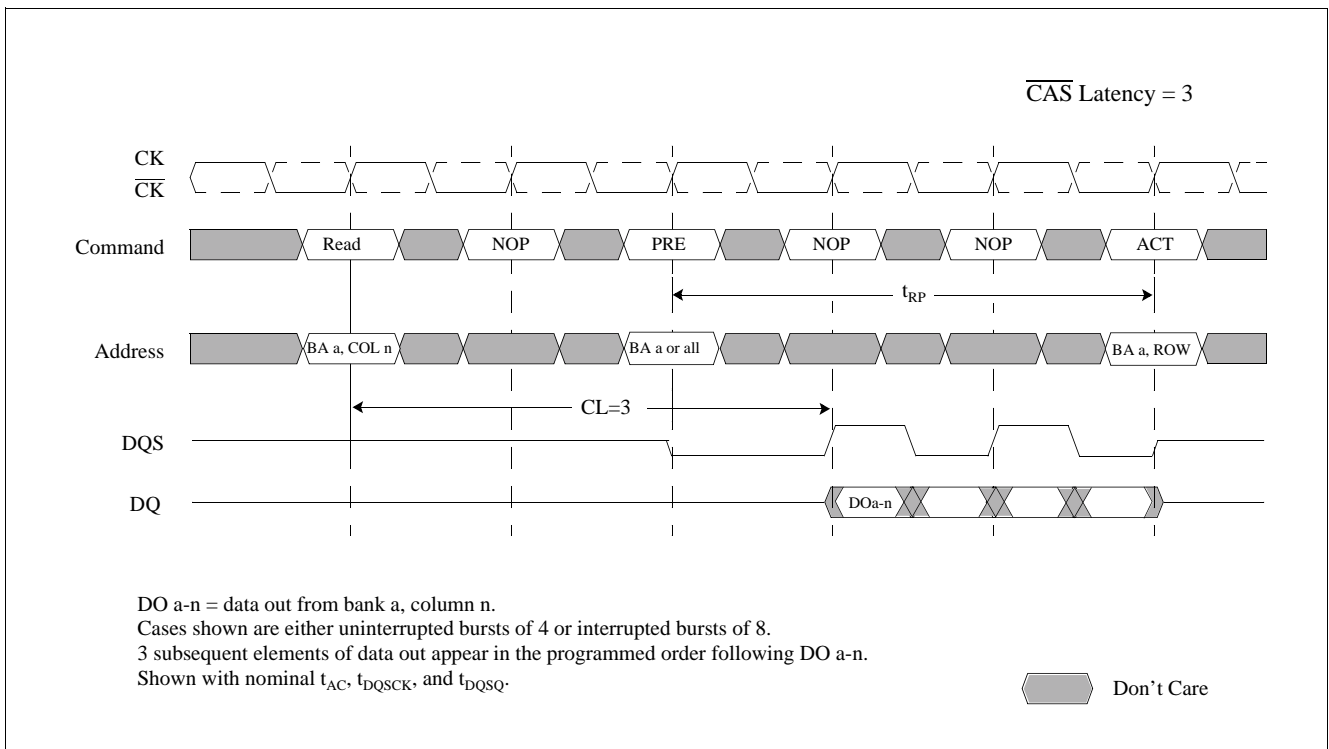


Figure 12 Read to Precharge (Burst Length = 4 or 8)

### 3.5.3 Writes

Write bursts are initiated with a Write command, as shown in [Figure 13](#).

The starting column and bank addresses are provided with the Write command, and Auto Precharge is either enabled or disabled for that access. If Auto Precharge is enabled, the row being accessed is precharged at the completion of the burst. For the generic Write commands used in the following illustrations, Auto Precharge is disabled.

During Write bursts, the first valid data-in element is registered on the first rising edge of DQS following the write command, and subsequent data elements are registered on successive edges of DQS. The Low state on DQS between the Write command and the first rising edge is known as the write preamble; the Low state on DQS following the last data-in element is known as the write postamble. The time between the Write command and the first corresponding rising edge of DQS ( $t_{DQSS}$ ) is specified with a relatively wide range (from 75% to 125% of one clock cycle), so most of the Write diagrams that follow are drawn for the two extreme cases (i.e.  $t_{DQSS(min)}$  and  $t_{DQSS(max)}$ ). [Figure 14](#) shows the two extremes of  $t_{DQSS}$  for a burst of four. Upon completion of a burst, assuming no other commands have been initiated, the DQs and DQS enters High-Z and any additional input data is ignored.

Data for any Write burst may be concatenated with or truncated with a subsequent Write command. In either case, a continuous flow of input data can be maintained. The new Write command can be issued on any positive edge of clock following the previous Write command. The first data element from the new burst is applied after either the last element of a completed burst or the last desired data element of a longer burst which is being truncated. The new Write command should be issued  $x$  cycles after the first Write command, where  $x$  equals the number of desired data element pairs (pairs are required by the  $2n$  prefetch architecture). [Figure 15](#) shows concatenated bursts of 4. An example of non-consecutive Writes is shown in [Figure 16](#). Full-speed random write accesses within a page or pages can be performed as shown in [Figure 17](#). Data for any Write burst may be followed by a subsequent Read command. To follow a Write without truncating the write burst,  $t_{WTR}$  (Write to Read) should be met as shown in [Figure 18](#).

Data for any Write burst may be truncated by a subsequent Read command, as shown in [Figure 19](#) to [Figure 21](#). Note that only the data-in pairs that are registered prior to the  $t_{WTR}$  period are written to the internal array, and any subsequent data-in must be masked with DM, as shown in the diagrams noted previously.

Data for any Write burst may be followed by a subsequent Precharge command. To follow a Write without truncating the write burst,  $t_{WR}$  should be met as shown in [Figure 22](#).

Data for any Write burst may be truncated by a subsequent Precharge command, as shown in [Figure 23](#) to [Figure 25](#). Note that only the data-in pairs that are registered prior to the  $t_{WR}$  period are written to the internal array, and any subsequent data in should be masked with DM. Following the Precharge command, a subsequent command to the same bank cannot be issued until  $t_{RP}$  is met.

In the case of a Write burst being executed to completion, a Precharge command issued at the optimum time (as described above) provides the same operation that would result from the same burst with Auto Precharge. The disadvantage of the Precharge command is that it requires that the command and address busses be available at the appropriate time to issue the command. The advantage of the Precharge command is that it can be used to truncate bursts.

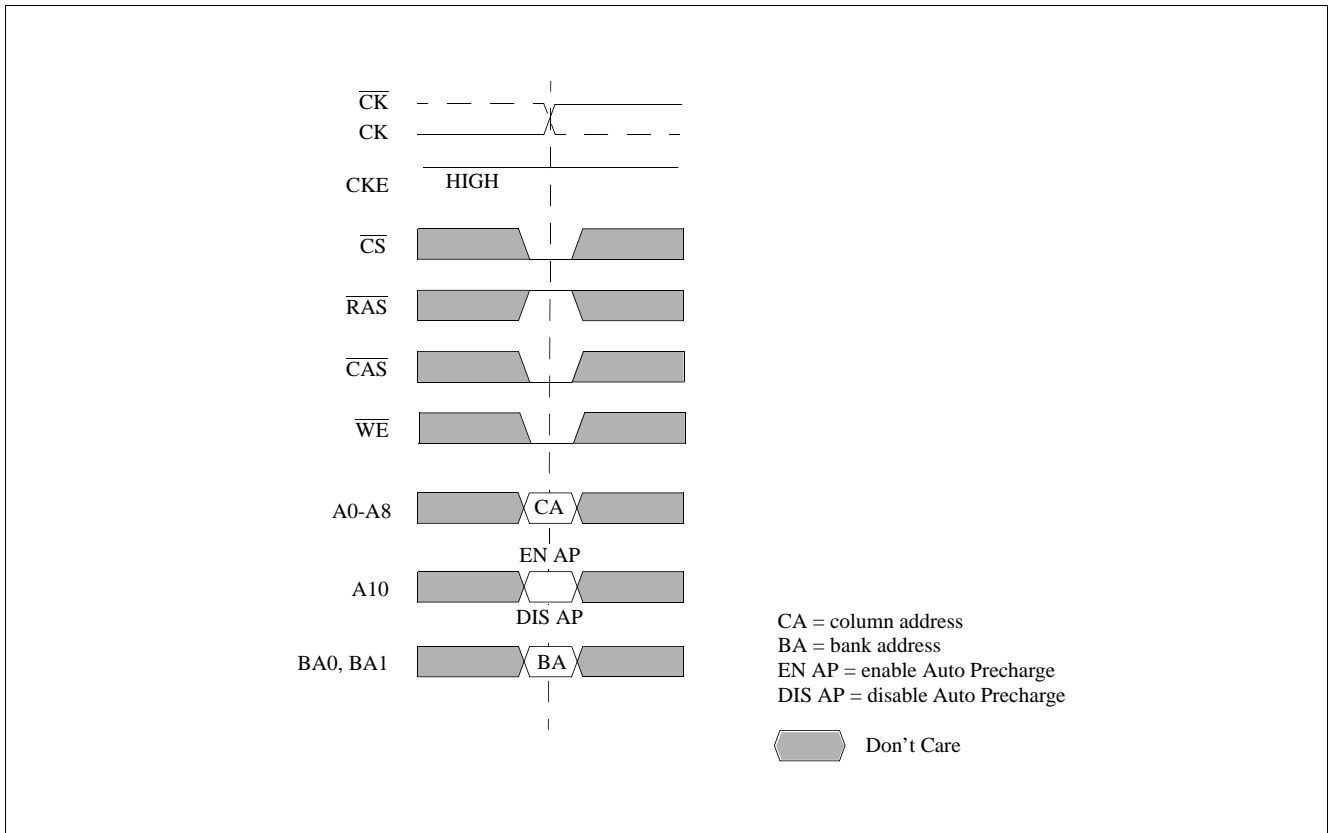


Figure 13 Write Command

Functional Description

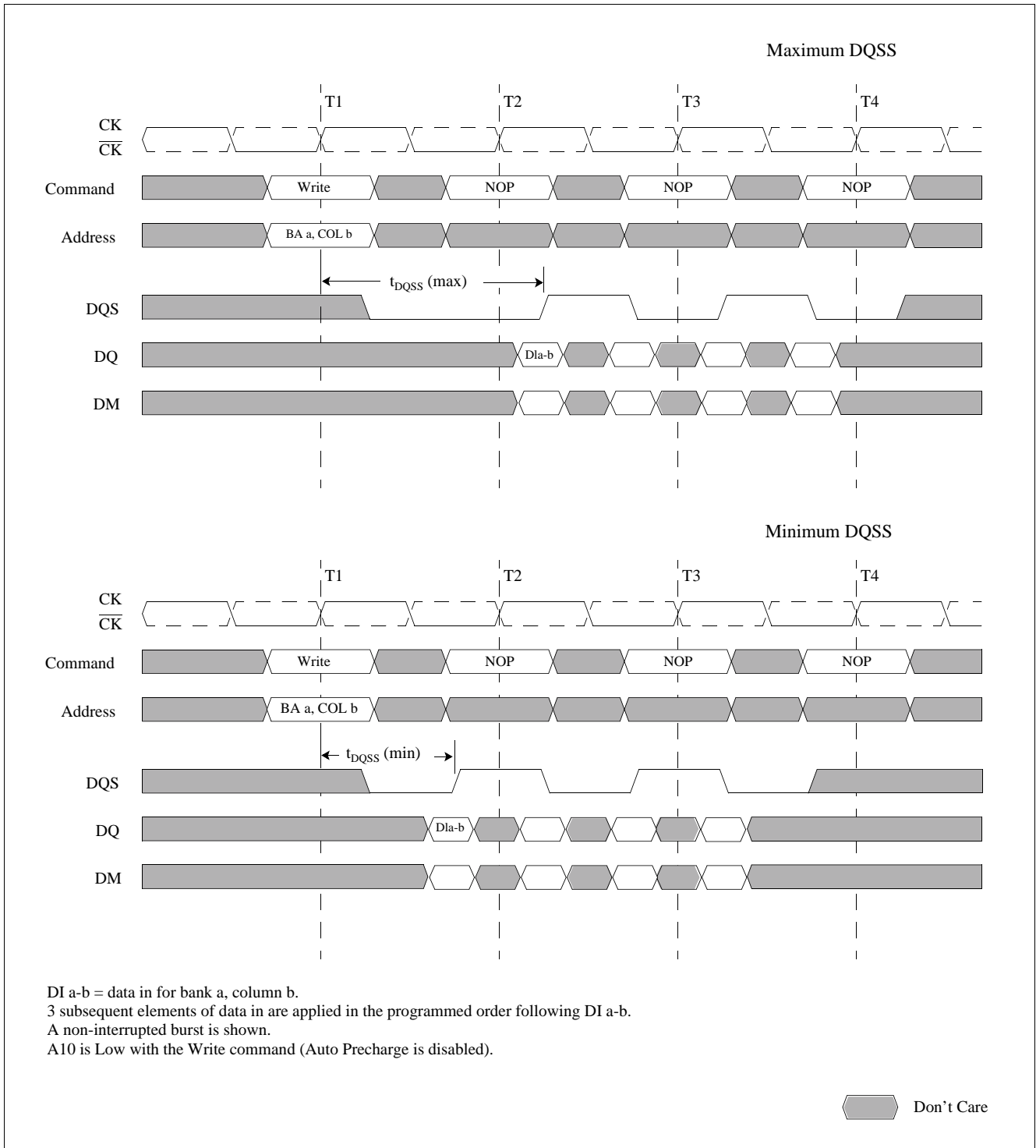


Figure 14 Write Burst (Burst Length = 4)

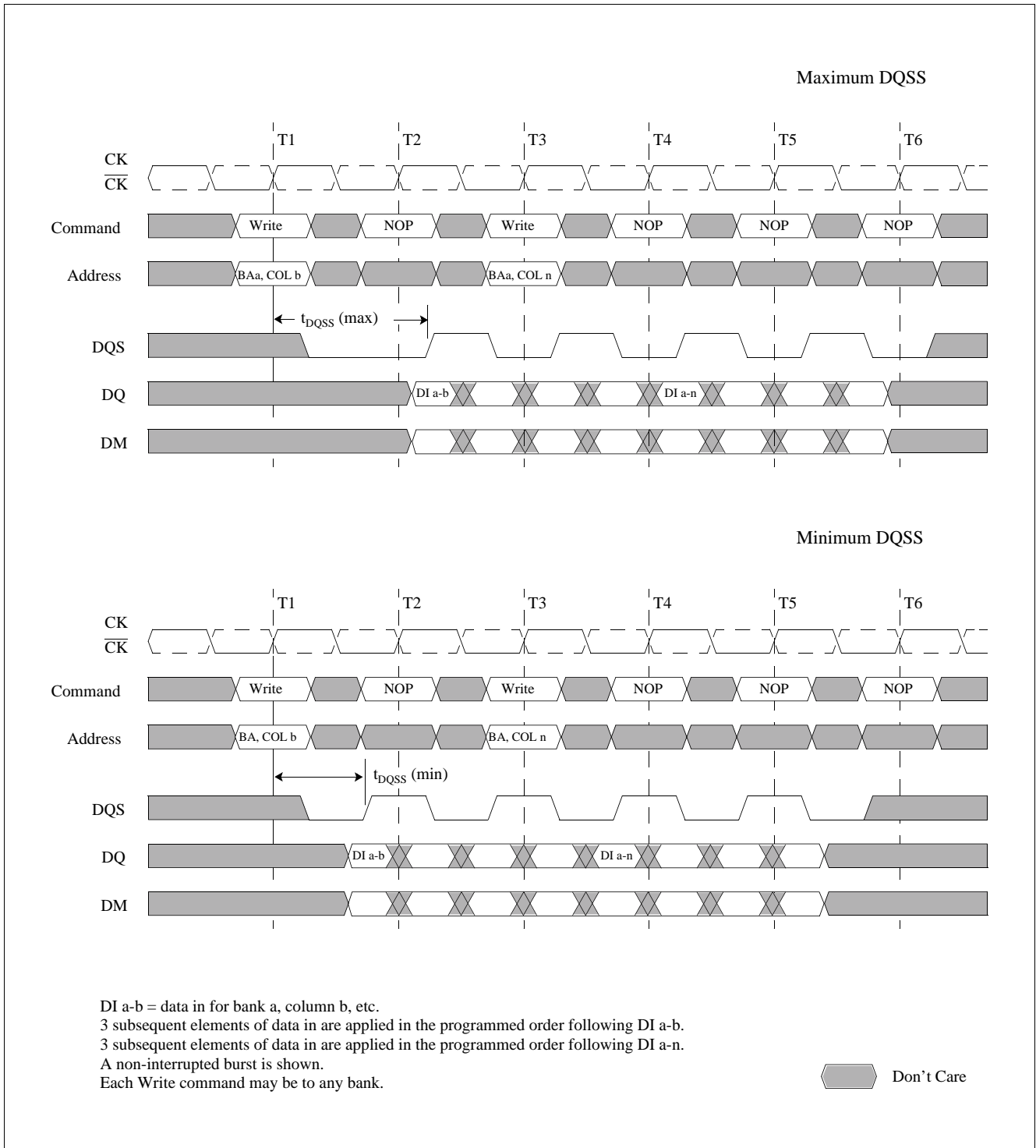


Figure 15 Write to Write (Burst Length = 4)

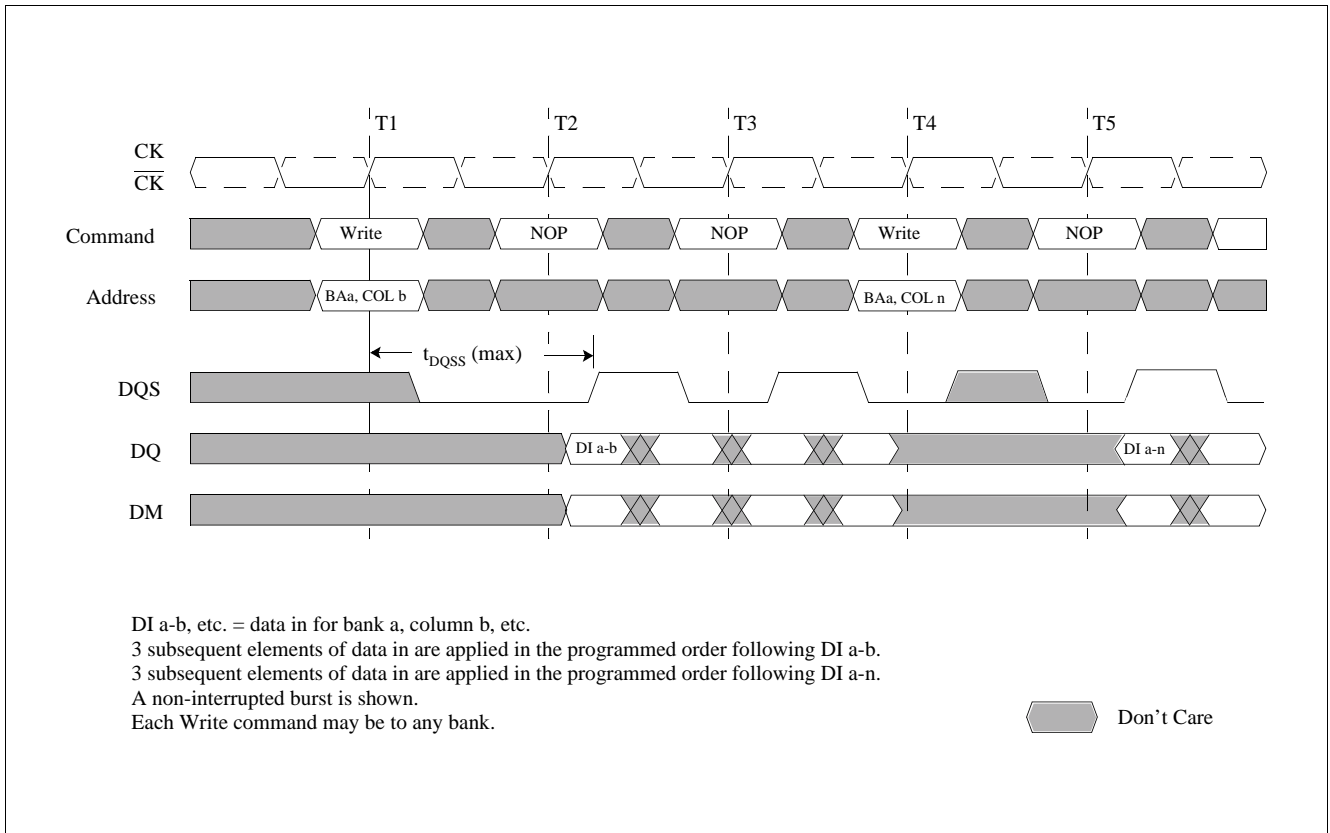


Figure 16 Write to Write: Max. DQSS, Non-Consecutive (Burst Length = 4)

Functional Description

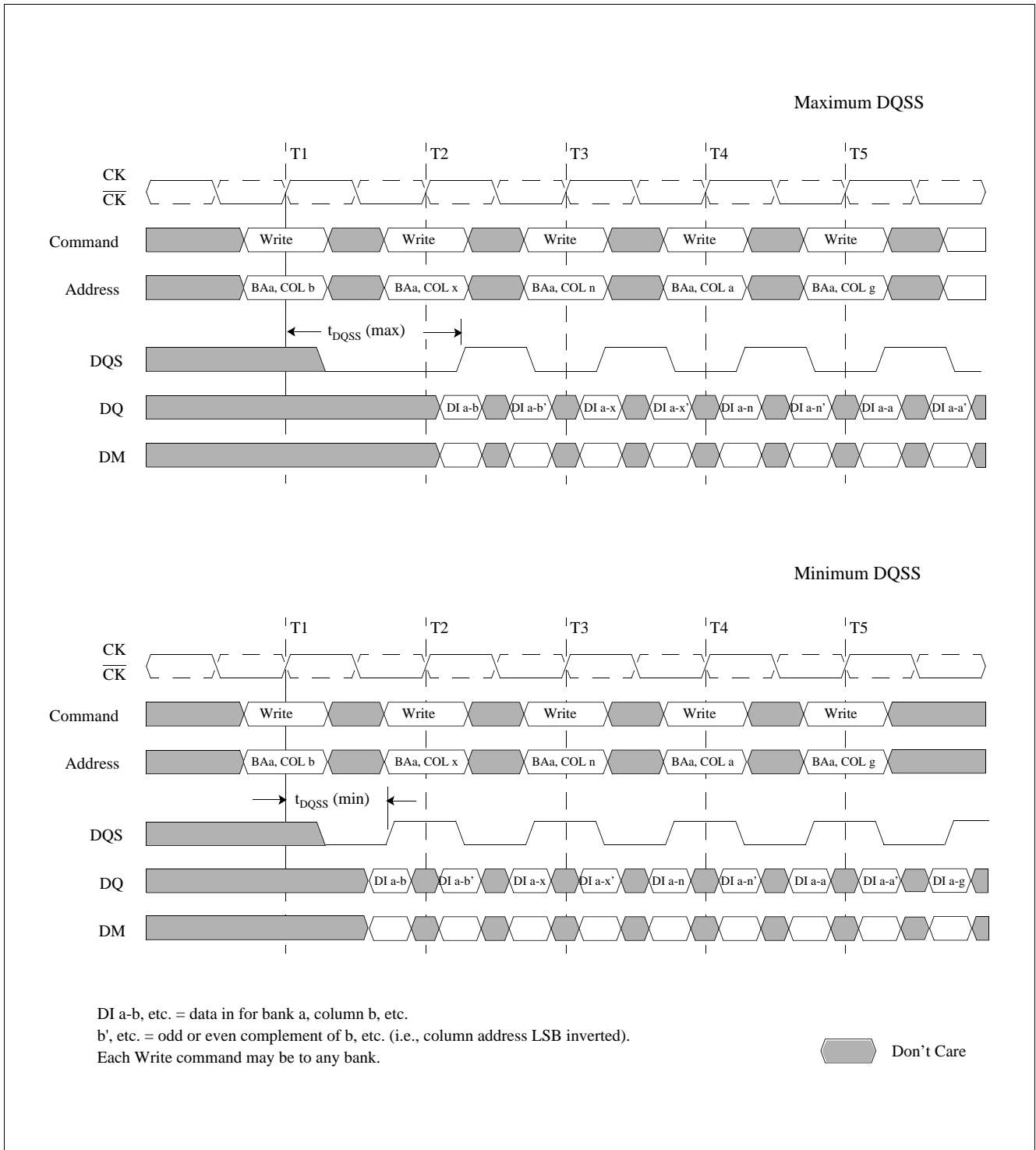


Figure 17 Random Write Cycles (Burst Length = 2, 4 or 8)



Functional Description

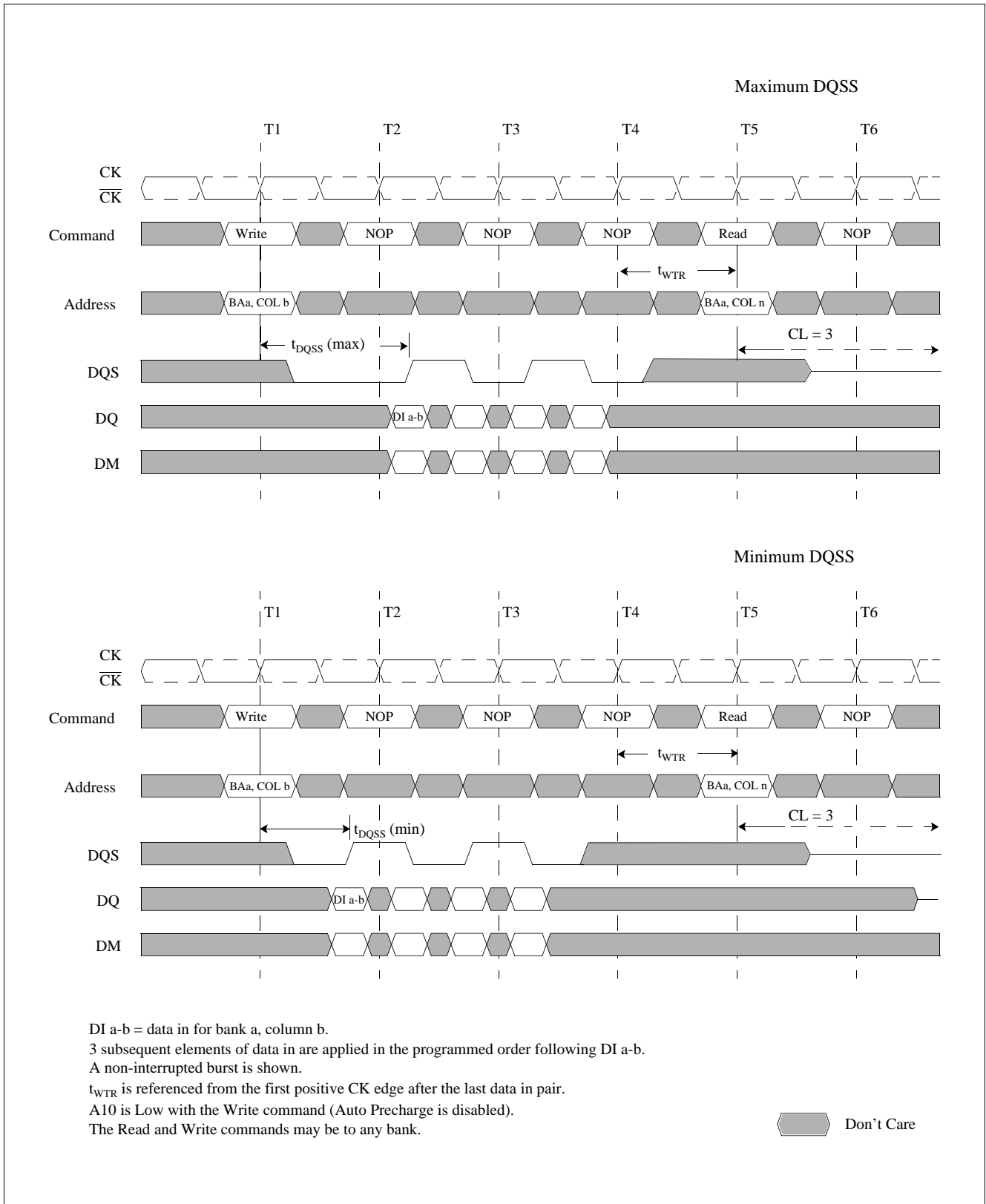


Figure 18 Write to Read: Non-Interrupting (CAS Latency = 3; Burst Length = 4)

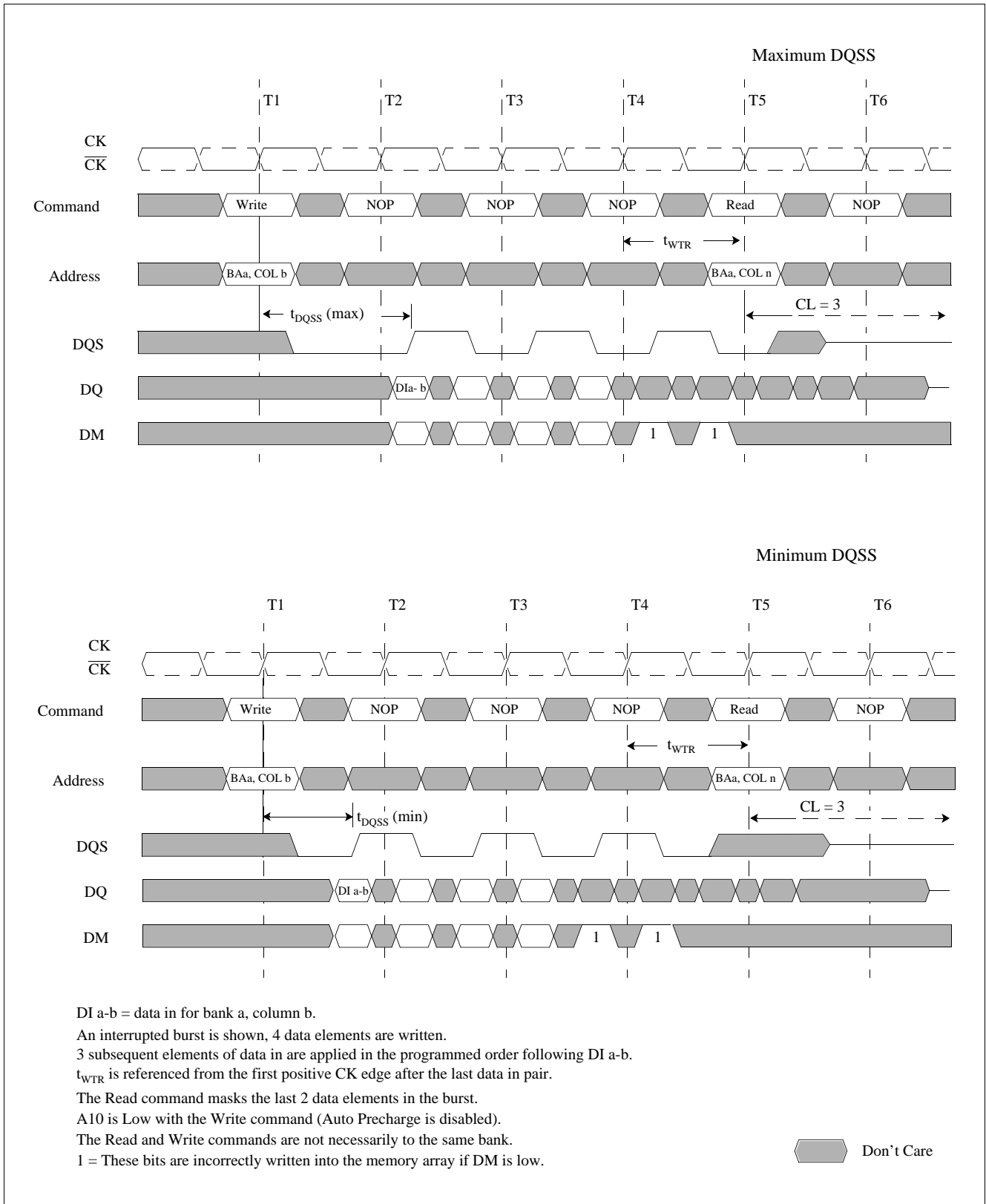


Figure 19 Write to Read: Interrupting (CAS Latency = 3; Burst Length = 8)

Functional Description

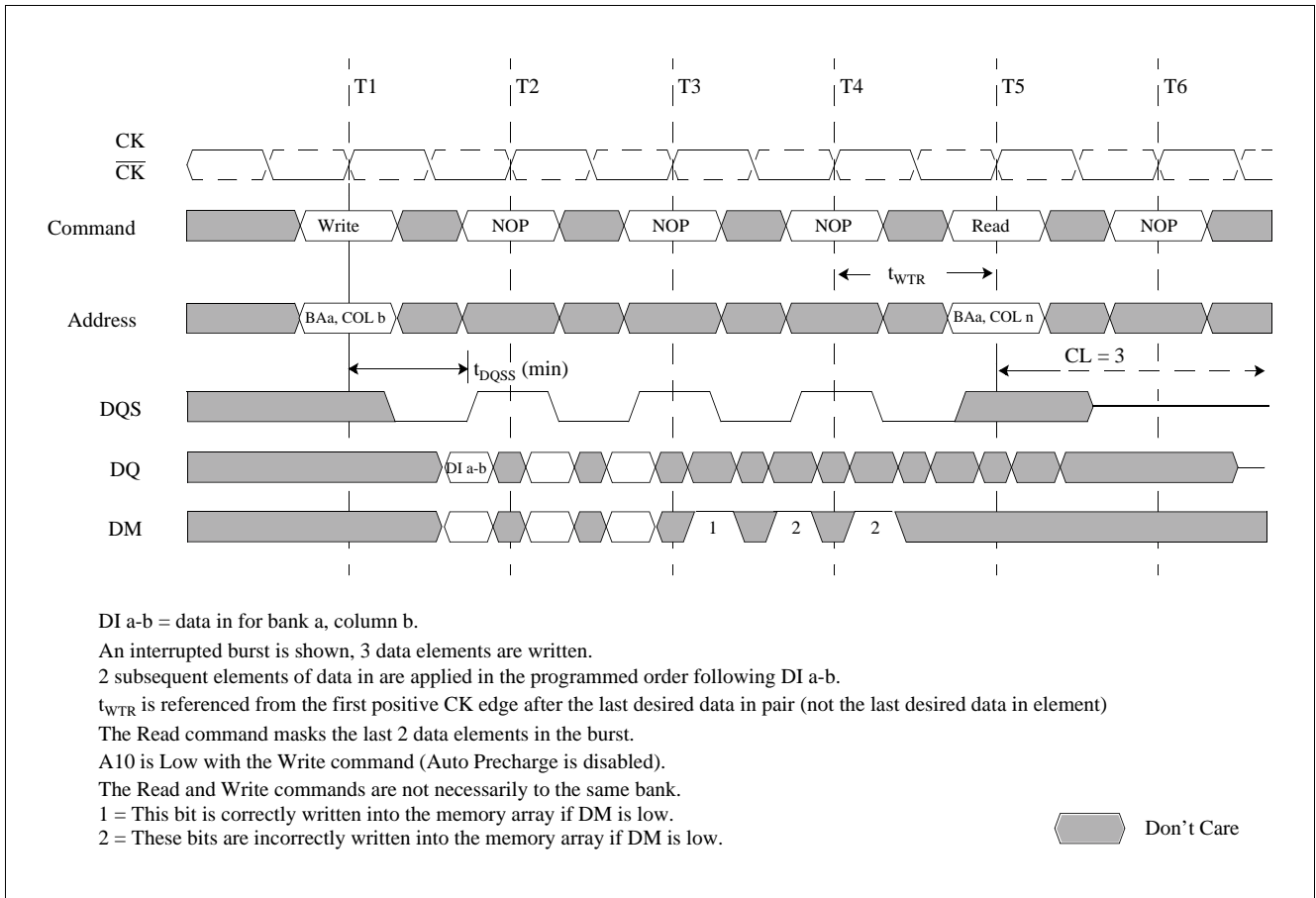


Figure 20 Write to Read: Min. DQSS, Odd Number of Data (3-bit Write), Interrupting (CL3; BL8)

Functional Description

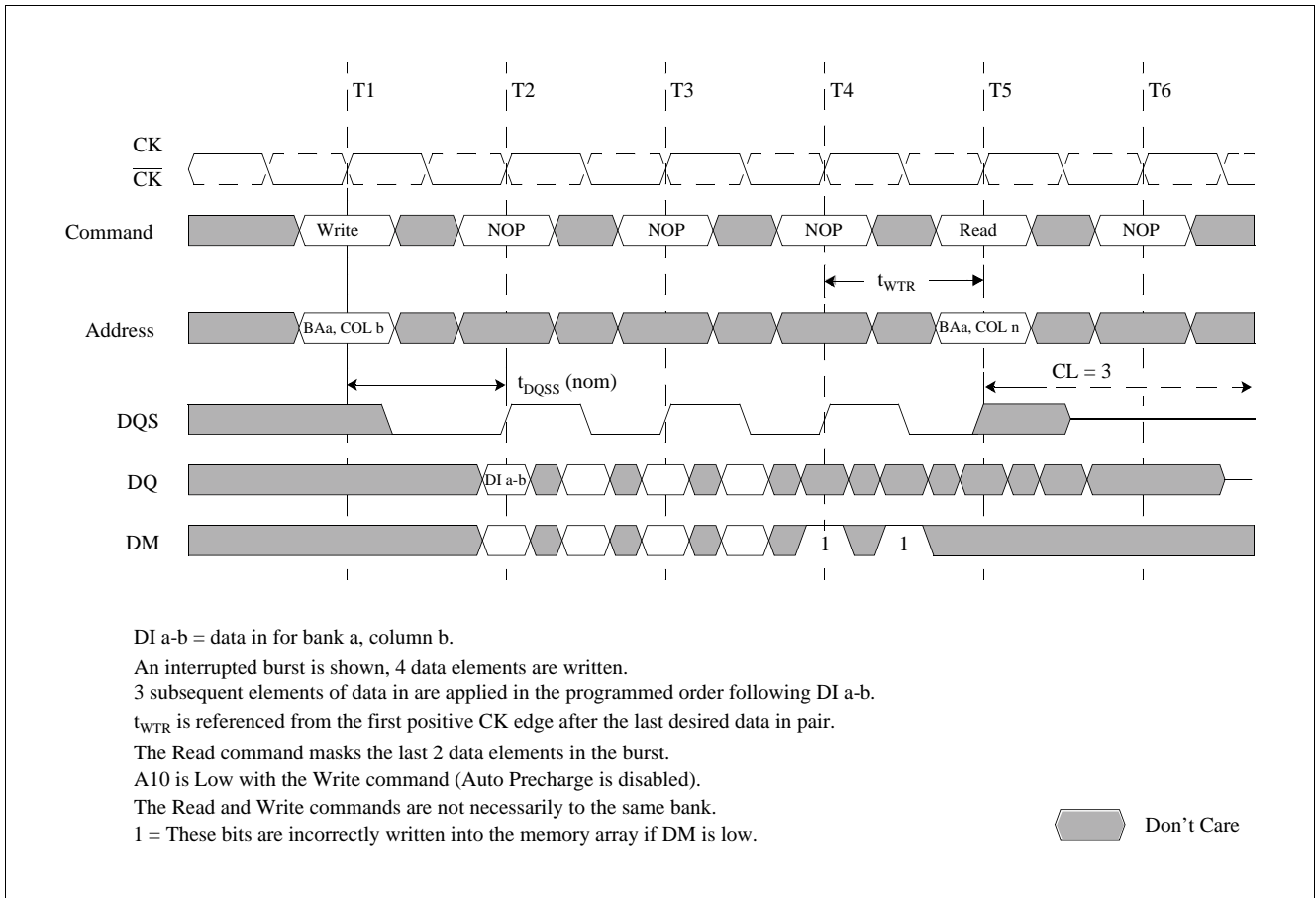


Figure 21 Write to Read: Nominal DQSS, Interrupting (CAS Latency = 3; Burst Length = 8)

Functional Description

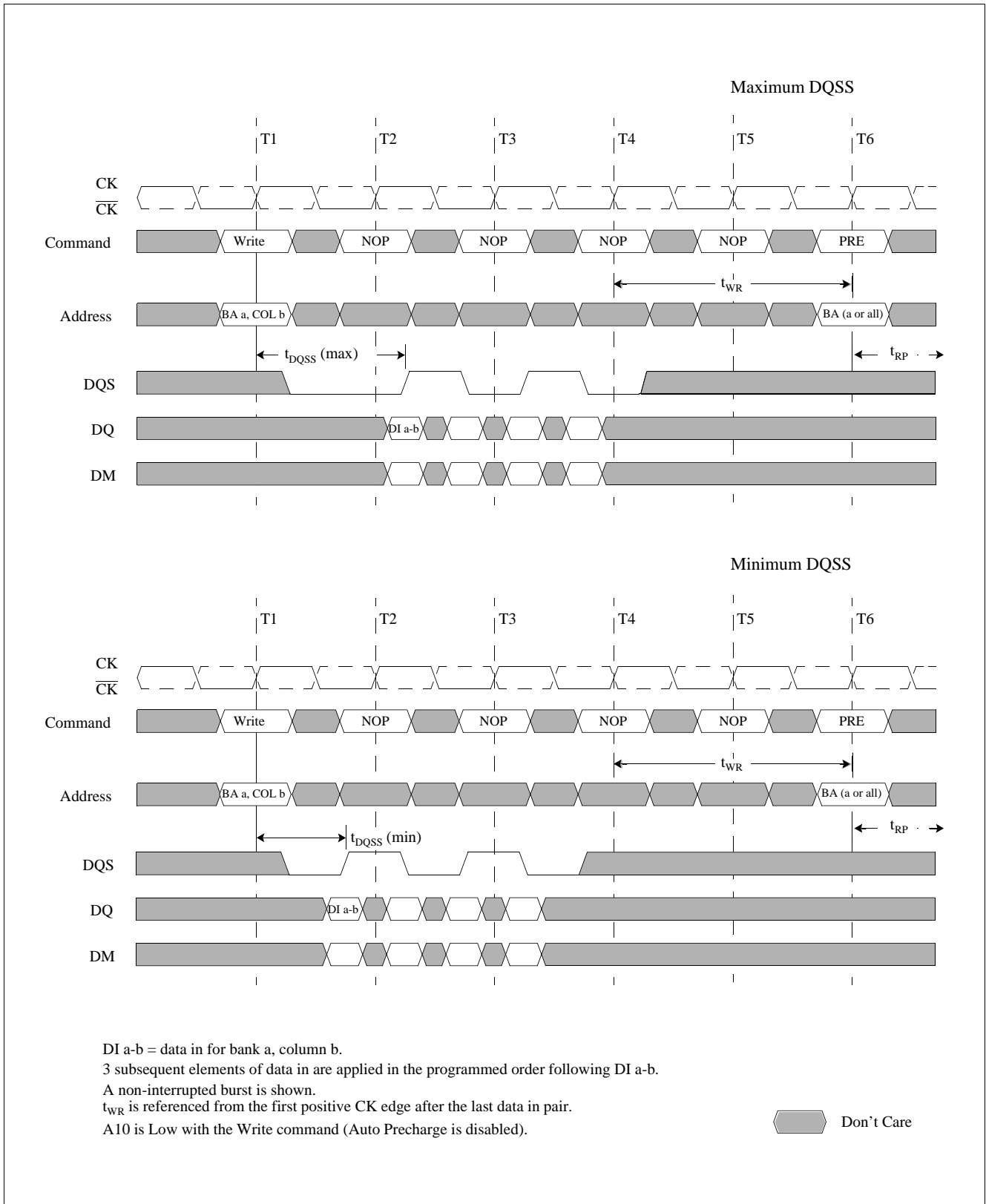


Figure 22 Write to Precharge: Non-Interrupting (Burst Length = 4)

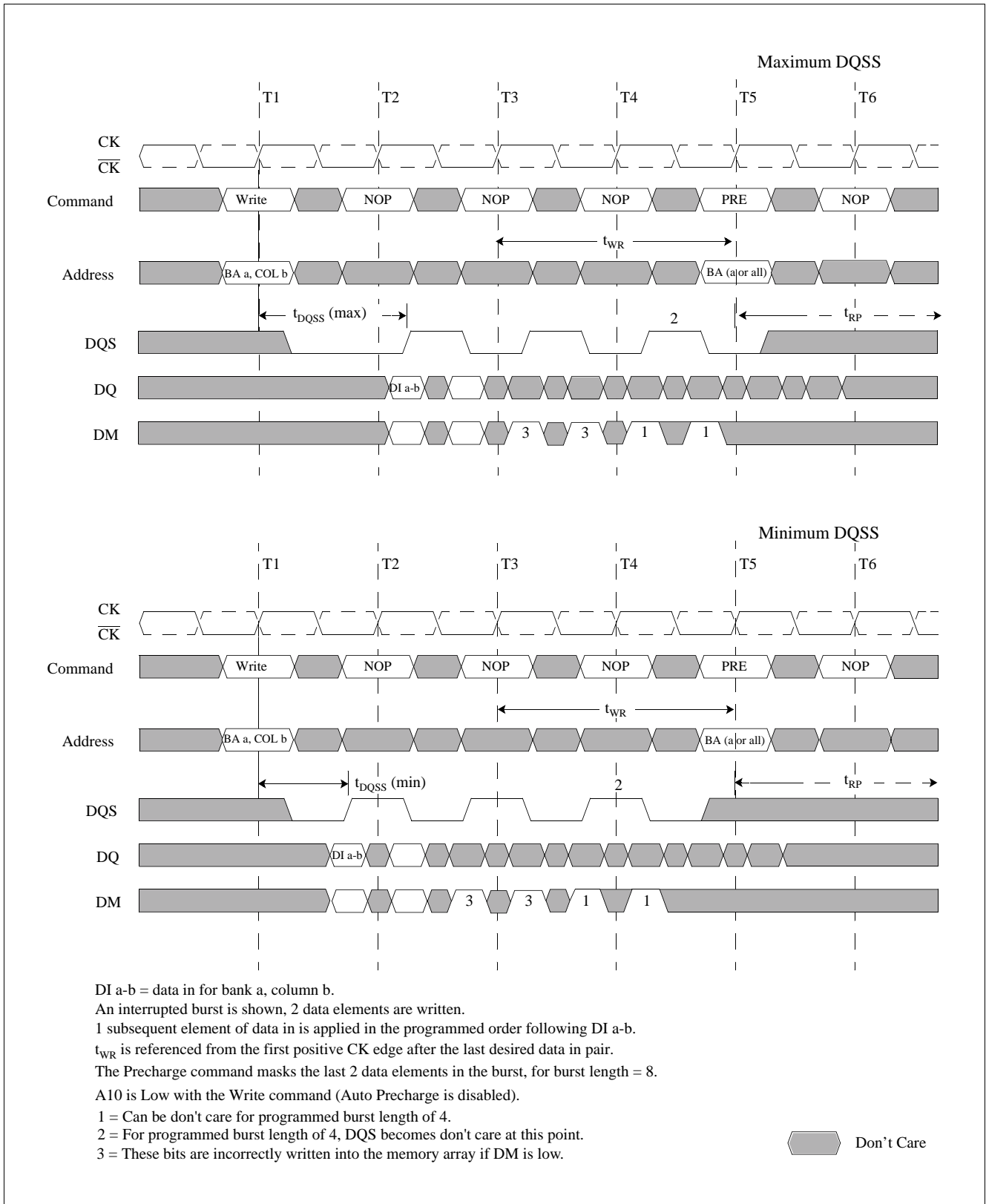


Figure 23 Write to Precharge: Interrupting (Burst Length = 4 or 8)

Functional Description

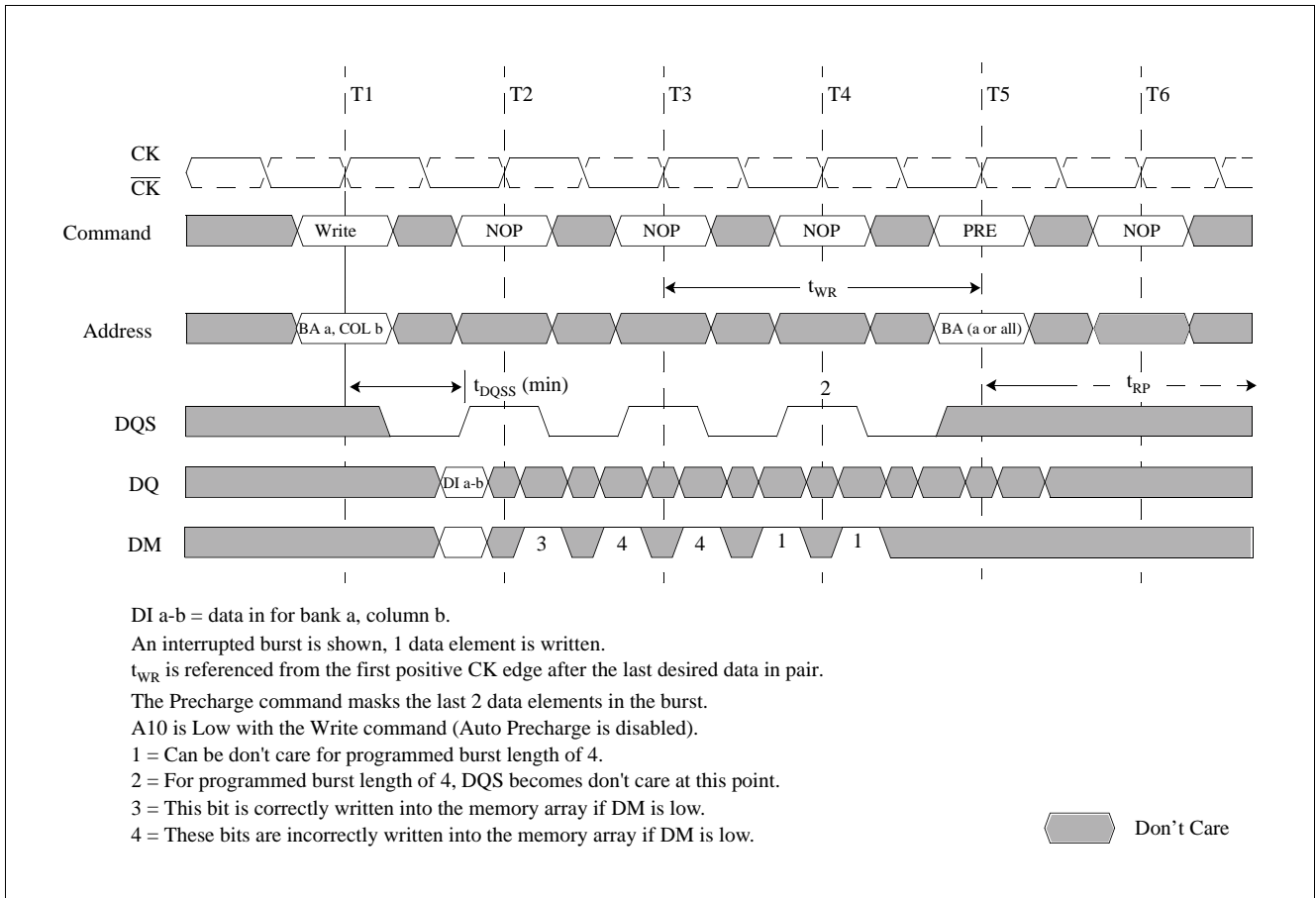


Figure 24 Write to Precharge: Minimum DQSS, Odd Number of Data (1-bit Write), Interrupting (BL 4 or 8)

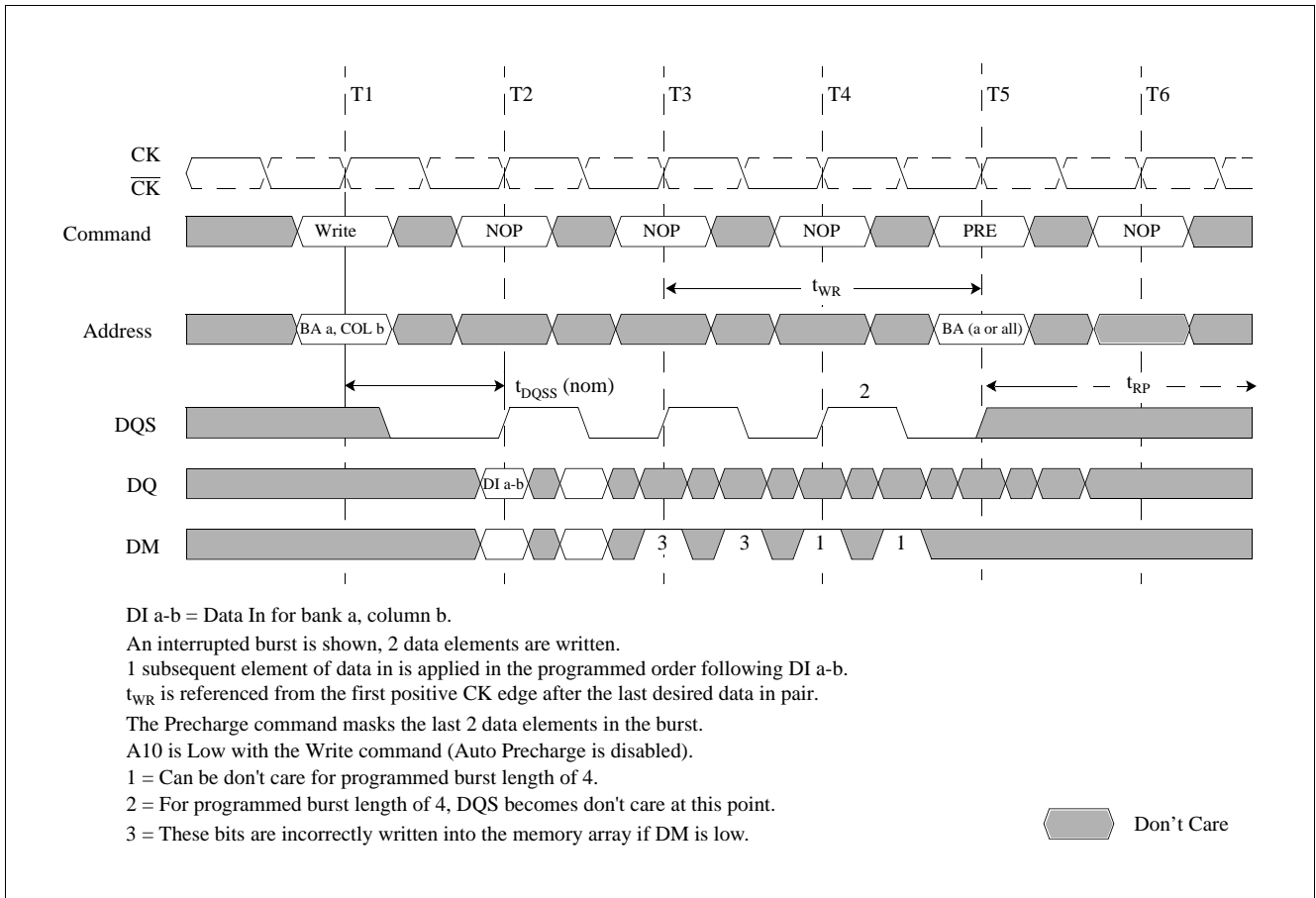


Figure 25 Write to Precharge: Nominal DQSS (2-bit Write), Interrupting (Burst Length = 4 or 8)



### 3.5.4 Precharge

The Precharge command is used to deactivate the open row in a particular bank or the open row in all banks. The bank(s) will be available for a subsequent row access some specified time ( $t_{RP}$ ) after the Precharge command is issued. Input A10 determines whether one or all banks are to be precharged, and in the case where only one bank is to be precharged, inputs BA0, BA1 select the bank. When all banks are to be precharged, inputs BA0, BA1 are treated as "Don't Care". Once a bank has been precharged, it is in the idle state and must be activated prior to any Read or Write commands being issued to that bank.

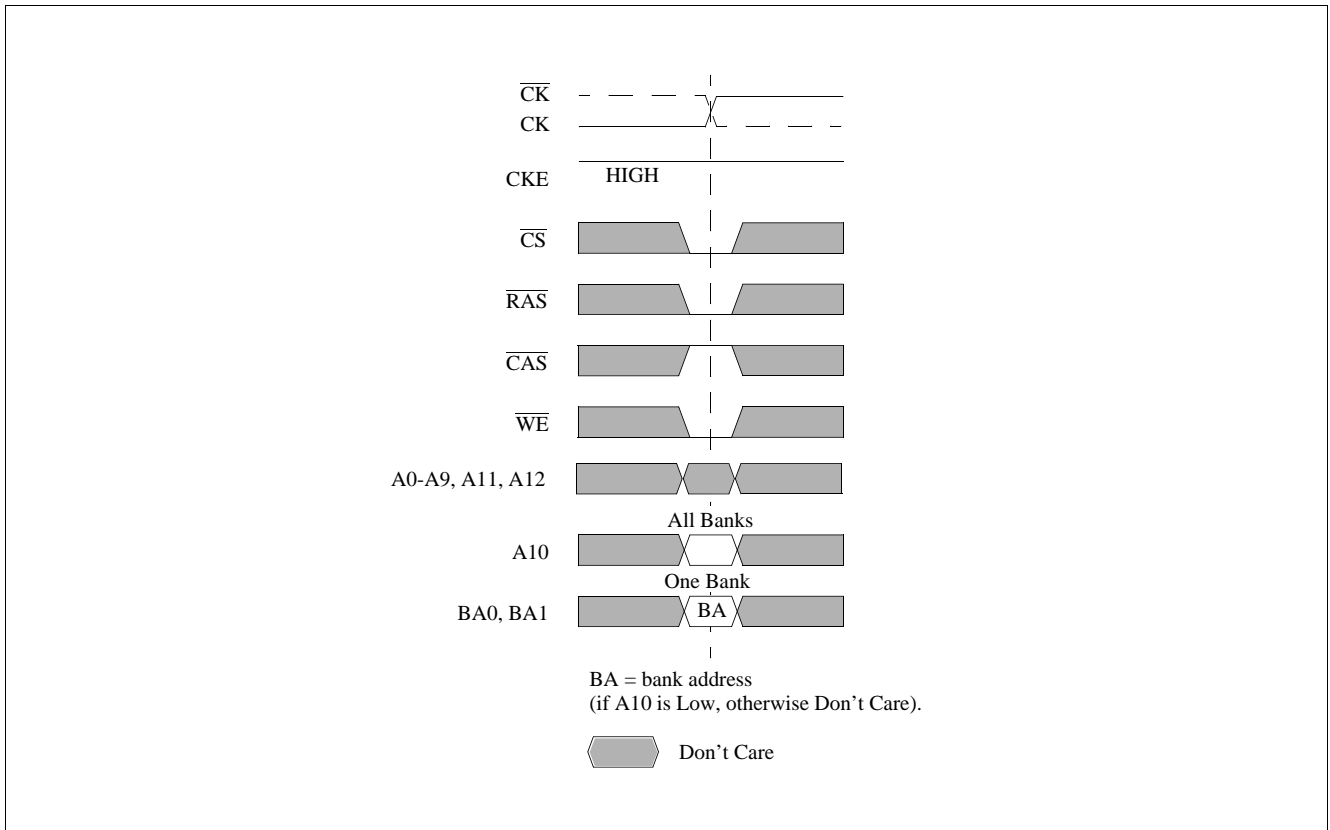


Figure 26 Precharge Command

### 3.5.5 Power-Down

Power-down is entered when CKE is registered LOW (no accesses can be in progress). If power-down occurs when all banks are idle, this mode is referred to as precharge power-down; if power-down occurs when there is a row active in any bank, this mode is referred to as active power-down. Entering power-down deactivates the input and output buffers, excluding CK,  $\overline{CK}$  and CKE. The DLL is still running in Power Down mode, so for maximum power savings, the user has the option of disabling the DLL prior to entering Power-down. In that case, the DLL must be enabled after exiting power-down, and 200 clock cycles must occur before a Read command can be issued. In power-down mode, CKE Low and a stable clock signal must be maintained at the inputs of the DDR SGRAM, and all other input signals are "Don't Care". However, power-down duration is limited by the refresh requirements of the device, so in most applications, the self refresh mode is preferred over the DLL-disabled power-down mode.

The power-down state is synchronously exited when CKE is registered HIGH (along with a NOP or Deselect command). A valid, executable command may be applied one clock cycle later.

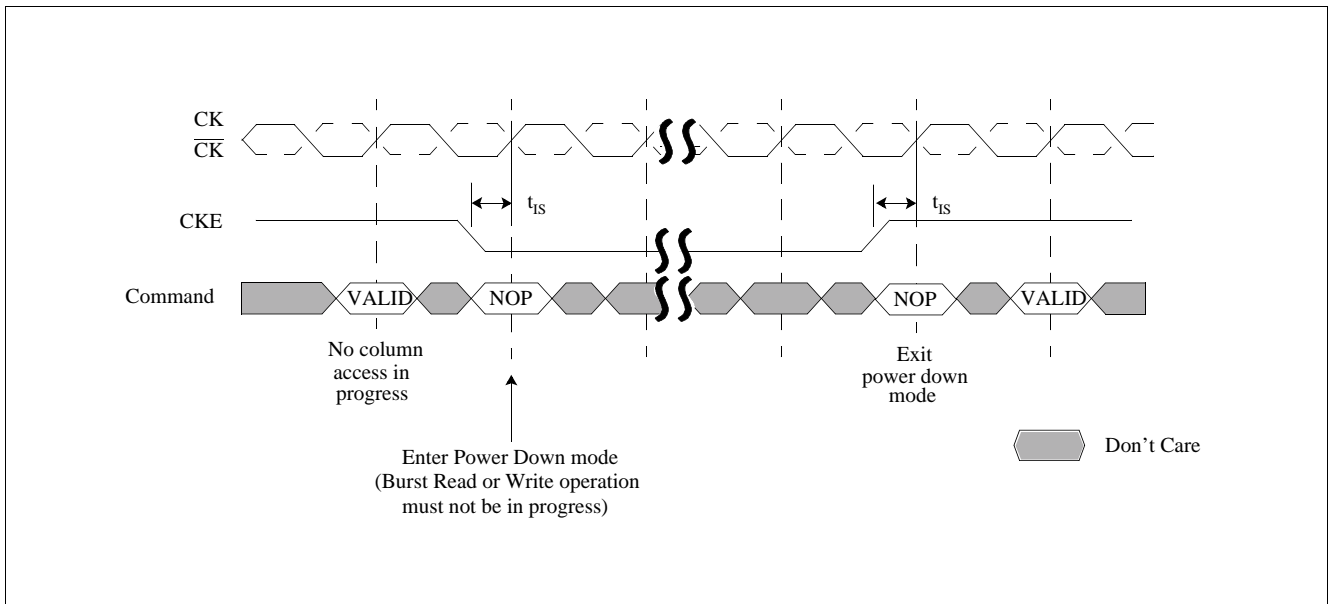


Figure 27 Power Down

Functional Description

**Table 7 Truth Table 2: Clock Enable (CKE)**

Current State	CKE n-1	CKEn	Command n	Action n	Notes
	Previous Cycle	Current Cycle			
Self Refresh	L	L	X	Maintain Self-Refresh	–
Self Refresh	L	H	Deselect or NOP	Exit Self-Refresh	1)
Power Down	L	L	X	Maintain Power-Down	–
Power Down	L	H	Deselect or NOP	Exit Power-Down	–
All Banks Idle	H	L	Deselect or NOP	Precharge Power-Down Entry	–
All Banks Idle	H	L	AUTO REFRESH	Self Refresh Entry	–
Bank(s) Active	H	L	Deselect or NOP	Active Power-Down Entry	–
	H	H	See <a href="#">Table 8</a>	–	–

1) Deselect or NOP commands should be issued on any clock edges occurring during the Self Refresh Exit ( $t_{XSNR}$ ) period. A minimum of 200 clock cycles are needed before applying a read command to allow the DLL to lock to the input clock.

1. CKEn is the logic state of CKE at clock edge n: CKE n-1 was the state of CKE at the previous clock edge.
2. Current state is the state of the DDR SGRAM immediately prior to clock edge n.
3. COMMAND n is the command registered at clock edge n, and ACTION n is a result of COMMAND n.
4. All states and sequences not shown are illegal or reserved.

**Table 8 Truth Table 3: Current State Bank n - Command to Bank n (same bank)**

Current State	$\overline{CS}$	$\overline{RAS}$	$\overline{CAS}$	$\overline{WE}$	Command	Action	Notes
Any	H	X	X	X	Deselect	NOP. Continue previous operation.	1)2)3)4)5)6)
	L	H	H	H	No Operation	NOP. Continue previous operation.	1) to 6)
Idle	L	L	H	H	Active	Select and activate row	1) to 6)
	L	L	L	H	AUTO REFRESH	–	1) to 7)
	L	L	L	L	MODE REGISTER SET	–	1) to 7)
Row Active	L	H	L	H	Read	Select column and start Read burst	1) to 6), 8)
	L	H	L	L	Write	Select column and start Write burst	1) to 6), 8)
	L	L	H	L	Precharge	Deactivate row in bank(s)	1) to 6), 9)
Read (Auto Precharge Disabled)	L	H	L	H	Read	Select column and start new Read burst	1) to 6), 8)
	L	L	H	L	Precharge	Truncate Read burst, start Precharge	1) to 6), 9)
	L	H	H	L	BURST TERMINATE	BURST TERMINATE	1) to 6), 10)
Write (Auto Precharge Disabled)	L	H	L	H	Read	Select column and start Read burst	1) to 6), 8), 11)
	L	H	L	L	Write	Select column and start Write burst	1) to 6), 8)
	L	L	H	L	Precharge	Truncate Write burst, start Precharge	1) to 6), 9), 11)

- 1) This table applies when CKE n-1 was HIGH and CKE n is HIGH (see [Table 7](#) and after  $t_{XSNR}/t_{XSRD}$  has been met (if the previous state was self refresh).
- 2) This table is bank-specific, except where noted, i.e., the current state is for a specific bank and the commands shown are those allowed to be issued to that bank when in that state. Exceptions are covered in the notes below.

Functional Description

- 3) Current state definitions:
  - Idle: The bank has been precharged, and  $t_{RP}$  has been met.
  - Row Active: A row in the bank has been activated, and  $t_{RCD}$  has been met. No data bursts/accesses and no register accesses are in progress.
  - Read: A Read burst has been initiated, with Auto Precharge disabled, and has not yet terminated or been terminated.
  - Write: A Write burst has been initiated, with Auto Precharge disabled, and has not yet terminated or been terminated.
- 4) The following states must not be interrupted by a command issued to the same bank.
  - Precharging: Starts with registration of a Precharge command and ends when  $t_{RP}$  is met. Once  $t_{RP}$  is met, the bank is in the idle state.
  - Row Activating: Starts with registration of an Active command and ends when  $t_{RCD}$  is met. Once  $t_{RCD}$  is met, the bank is in the "row active" state.
  - Read w/Auto Precharge Enabled: Starts with registration of a Read command with Auto Precharge enabled and ends when  $t_{RP}$  has been met. Once  $t_{RP}$  is met, the bank is in the idle state.
  - Write w/Auto Precharge Enabled: Starts with registration of a Write command with Auto Precharge enabled and ends when  $t_{RP}$  has been met. Once  $t_{RP}$  is met, the bank is in the idle state.
  - Deselect or NOP commands, or allowable commands to the other bank should be issued on any clock edge occurring during these states. Allowable commands to the other bank are determined by its current state and according to [Table 9](#).
- 5) The following states must not be interrupted by any executable command; Deselect or NOP commands must be applied on each positive clock edge during these states.
  - Refreshing: Starts with registration of an Auto Refresh command and ends when  $t_{RFC}$  is met. Once  $t_{RFC}$  is met, the DDR SGRAM is in the "all banks idle" state.
  - Accessing Mode Register: Starts with registration of a Mode Register Set command and ends when  $t_{MRD}$  has been met. Once  $t_{MRD}$  is met, the DDR SGRAM is in the "all banks idle" state.
  - Precharging All: Starts with registration of a Precharge All command and ends when  $t_{RP}$  is met. Once  $t_{RP}$  is met, all banks is in the idle state.
- 6) All states and sequences not shown are illegal or reserved.
- 7) Not bank-specific; requires that all banks are idle.
- 8) Reads or Writes listed in the Command/Action column include Reads or Writes with Auto Precharge enabled and Reads or Writes with Auto Precharge disabled.
- 9) May or may not be bank-specific; if all/any banks are to be precharged, all/any must be in a valid state for precharging.
- 10) Not bank-specific; BURST TERMINATE affects the most recent Read burst, regardless of bank.
- 11) Requires appropriate DM masking.

Functional Description

**Table 9 Truth Table 4: Current State Bank n - Command to Bank m (different bank)**

Current State	$\overline{CS}$	$\overline{RAS}$	$\overline{CAS}$	$\overline{WE}$	Command	Action	Notes
Any	H	X	X	X	Deselect	NOP. Continue previous operation.	1)2)3)4)5)6)
	L	H	H	H	No Operation	NOP. Continue previous operation.	1) to 6)
Idle	X	X	X	X	Any Command Otherwise Allowed to Bank m	–	1) to 6)
Row Activating, Active, or Precharging	L	L	H	H	Active	Select and activate row	1) to 6)
	L	H	L	H	Read	Select column and start Read burst	1) to 7)
	L	H	L	L	Write	Select column and start Write burst	1) to 7)
	L	L	H	L	Precharge	–	1) to 6)
Read (Auto Precharge Disabled)	L	L	H	H	Active	Select and activate row	1) to 6)
	L	H	L	H	Read	Select column and start new Read burst	1) to 7)
	L	L	H	L	Precharge	–	1) to 6)
Write (Auto Precharge Disabled)	L	L	H	H	Active	Select and activate row	1) to 6)
	L	H	L	H	Read	Select column and start Read burst	1) to 8)
	L	H	L	L	Write	Select column and start new Write burst	1) to 7)
	L	L	H	L	Precharge	–	1) to 6)
Read (With Auto Precharge)	L	L	H	H	Active	Select and activate row	1) to 6)
	L	H	L	H	Read	Select column and start new Read burst	1) to 7), 9)
	L	H	L	L	Write	Select column and start Write burst	1) to 7), 9), 10)
	L	L	H	L	Precharge	–	1) to 6)
Write (With Auto Precharge)	L	L	H	H	Active	Select and activate row	1) to 6)
	L	H	L	H	Read	Select column and start Read burst	1) to 7), 9)
	L	H	L	L	Write	Select column and start new Write burst	1) to 7), 9)
	L	L	H	L	Precharge	–	1) to 6)

- 1) This table applies when CKE n-1 was HIGH and CKE n is HIGH (see [Table 7](#): Clock Enable (CKE) and after  $t_{XSNR}/t_{XSRD}$  has been met (if the previous state was self refresh).
- 2) This table describes alternate bank operation, except where noted, i.e., the current state is for bank n and the commands shown are those allowed to be issued to bank m (assuming that bank m is in such a state that the given command is allowable). Exceptions are covered in the notes below.
- 3) Current state definitions:  
 Idle: The bank has been precharged, and  $t_{RP}$  has been met.  
 Row Active: A row in the bank has been activated, and  $t_{RCD}$  has been met. No data bursts/accesses and no register accesses are in progress.  
 Read: A Read burst has been initiated, with Auto Precharge disabled, and has not yet terminated or been terminated.  
 Write: A Write burst has been initiated, with Auto Precharge disabled, and has not yet terminated or been terminated.  
 Read with Auto Precharge Enabled: See <sup>10)</sup>.  
 Write with Auto Precharge Enabled: See <sup>10)</sup>.
- 4) AUTO REFRESH and Mode Register Set commands may only be issued when all banks are idle.
- 5) A BURST TERMINATE command cannot be issued to another bank; it applies to the bank represented by the current state only.
- 6) All states and sequences not shown are illegal or reserved.

**Functional Description**

- 7) Reads or Writes listed in the Command/Action column include Reads or Writes with Auto Precharge enabled and Reads or Writes with Auto Precharge disabled.
- 8) Requires appropriate DM masking.
- 9) **Concurrent Auto Precharge:**  
This device supports "Concurrent Auto Precharge". When a read with auto precharge or a write with auto precharge is enabled any command may follow to the other banks as long as that command does not interrupt the read or write data transfer and all other limitations apply (e.g. contention between READ data and WRITE data must be avoided). The minimum delay from a read or write command with auto precharge enable, to a command to a different banks is summarized in [Table 10](#).
- 10) A Write command may be applied after the completion of data output.

**Table 10 Truth Table 5: Concurrent Auto Precharge**

From Command	To Command (different bank)	Minimum Delay with Concurrent Auto Precharge Support	Unit
WRITE w/AP	Read or Read w/AP	$1 + (BL/2) + t_{WTR}$	$t_{CK}$
	Write to Write w/AP	BL/2	$t_{CK}$
	Precharge or Activate	1	$t_{CK}$
Read w/AP	Read or Read w/AP	BL/2	$t_{CK}$
	Write or Write w/AP	CL (rounded up) + BL/2	$t_{CK}$
	Precharge or Activate	1	$t_{CK}$



## 4 Electrical Characteristics

### 4.1 Operating Conditions

Table 11 Absolute Maximum Ratings

Parameter	Symbol	Values			Unit	Note/ Test Condition
		Min.	Typ.	Max.		
Voltage on I/O pins relative to $V_{SS}$	$V_{IN}, V_{OUT}$	-0.5	—	$V_{DDQ} + 0.5$	V	—
Voltage on Inputs relative to $V_{SS}$	$V_{IN}$	-0.5	—	+3.6	V	—
Voltage on $V_{DD}$ supply relative to $V_{SS}$	$V_{DD}$	-0.5	—	+3.6	V	—
Voltage on $V_{DDQ}$ supply relative to $V_{SS}$	$V_{DDQ}$	-0.5	—	+3.6	V	—
Operating Temperature (Ambient)	$T_A$	0	—	+70	°C	—
Storage Temperature (Plastic)	$T_{STG}$	-55	—	+150	°C	—
Power Dissipation	$P_D$	—	1.5	—	W	—
Short Circuit Output Current	$I_{OUT}$	—	50	—	mA	—

**Attention: Stresses above those listed here may cause permanent damage to the device. Exposure to absolute maximum rating conditions for extended periods may affect device reliability. Maximum ratings are absolute ratings; exceeding only one of these values may cause irreversible damage to the integrated circuit.**

Table 12 Input and Output Capacitances

Parameter	Symbol	Values			Unit	Note/ Test Condition
		Min.	Typ.	Max.		
Input Capacitance: CK, $\overline{CK}$	$C_{I1}$	2.0	—	3.0	pF	P-TSOPII-66-1 <sup>1)</sup>
Delta Input Capacitance	$C_{dl1}$	—	—	0.25	pF	1)
Input Capacitance: All other input-only pins	$C_{I2}$	2.0	—	3.0	pF	P-TSOPII-66-1 <sup>1)</sup>
Delta Input Capacitance: All other input-only pins	$C_{dlO}$	—	—	0.5	pF	1)
Input/Output Capacitance: DQ, DQS, DM	$C_{IO}$	4.0	—	5.0	pF	P-TSOPII-66-1 <sub>2)1)2)</sub>
Delta Input/Output Capacitance: DQ, DQS, DM	$C_{dlO}$	—	—	0.5	pF	1)

1) These values are guaranteed by design and are tested on a sample base only.  $V_{DDQ} = V_{DD} = 2.5 \text{ V} \pm 0.2 \text{ V}$ ,  $f = 100 \text{ MHz}$ ,  $T_A = 25 \text{ °C}$ ,  $V_{OUT(DC)} = V_{DDQ}/2$ ,  $V_{OUT}$  (Peak to Peak) 0.2 V. Unused pins are tied to ground.

2) DM inputs are grouped with I/O pins reflecting the fact that they are matched in loading to DQ and DQS to facilitate trace matching at the board level.



Electrical Characteristics

Table 13 Electrical Characteristics and DC Operating Conditions <sup>1)</sup>

Parameter	Symbol	Values		Unit	Note/Test Condition <sup>2)</sup>
		Min.	Max.		
Supply Voltage	$V_{DD}$	2.5	2.7	V	DDR400 <sup>2)</sup>
I/O Supply Voltage	$V_{DDQ}$	2.5	2.7	V	DDR400 <sup>2)</sup>
Supply Voltage, I/O Supply Voltage	$V_{SS}, V_{SSQ}$	0	0	V	—
I/O Reference Voltage	$V_{REF}$	$0.49 \times V_{DDQ}$	$0.51 \times V_{DDQ}$	V	<sup>2)3)</sup>
I/O Termination Voltage (System)	$V_{TT}$	$V_{REF} - 0.04$	$V_{REF} + 0.04$	V	<sup>2)4)</sup>
Input High (Logic1) Voltage	$V_{IH(DC)}$	$V_{REF} + 0.15$	$V_{DDQ} + 0.3$	V	<sup>2)</sup>
Input Low (Logic0) Voltage	$V_{IL(DC)}$	-0.3	$V_{REF} - 0.15$	V	<sup>2)</sup>
Input Voltage Level, CK and $\overline{CK}$ Inputs	$V_{IN(DC)}$	-0.3	$V_{DDQ} + 0.3$	V	<sup>2)</sup>
Input Differential Voltage, CK and $\overline{CK}$ Inputs	$V_{ID(DC)}$	0.36	$V_{DDQ} + 0.6$	V	<sup>2)5)</sup>
VI-Matching Pull-up Current to Pull-down Current	$V_{I_{Ratio}}$	0.71	1.4	—	<sup>6)</sup>
Input Leakage Current	$I_I$	-2	2	$\mu A$	Any input $0 V \leq V_{IN} \leq V_{DD}$ ; <sup>2)</sup> All other pins not under test = 0 V
Output Leakage Current	$I_{OZ}$	-5	5	$\mu A$	DQs are disabled; $0 V \leq V_{OUT} \leq V_{DDQ}$ <sup>2)</sup>
Output High Current, Normal Strength Driver	$I_{OH}$	—	-16.2	mA	$V_{OUT} = 1.95 V$ <sup>2)</sup>
Output Low Current, Normal Strength Driver	$I_{OL}$	16.2	—	mA	$V_{OUT} = 0.35 V$ <sup>2)</sup>

1)  $0^\circ C \leq T_A \leq 70^\circ C$

2)  $V_{REF}$  is expected to be equal to  $0.5 \times V_{DDQ}$  of the transmitting device, and to track variations in the DC level of the same. Peak-to-peak noise on  $V_{REF}$  may not exceed  $\pm 2\%$  of the DC value.

3)  $V_{REF}$  is expected to be equal to  $0.5 \times V_{DDQ}$  of the transmitting device, and to track variations in the DC level of the same. Peak-to-peak noise on  $V_{REF}$  may not exceed  $\pm 2\%$  of the DC value.

4)  $V_{TT}$  is not applied directly to the device.  $V_{TT}$  is a system supply for signal termination resistors, is expected to be set equal to  $V_{REF}$ , and must track variations in the DC level of  $V_{REF}$ .

5)  $V_{ID}$  is the magnitude of the difference between the input level on CK and the input level on  $\overline{CK}$ .

6) The ration of the pull-up current to the pull-down current is specified for the same temperature and voltage, over the entire temperature and voltage range, for device drain to source voltage from 0.25 to 1.0 V. For a given output, it represents the maximum difference between pull-up and pull-down drivers due to process variation.

## 4.2 Normal Strength Pull-down and Pull-up Characteristics

1. The nominal pull-down  $V$ - $I$  curve for DDR SDRAM devices is expected, but not guaranteed, to lie within the inner bounding lines of the  $V$ - $I$  curve.
2. The full variation in driver pull-down current from minimum to maximum process, temperature, and voltage lie within the outer bounding lines of the  $V$ - $I$  curve.
3. The nominal pull-up  $V$ - $I$  curve for DDR SDRAM devices is expected, but not guaranteed, to lie within the inner bounding lines of the  $V$ - $I$  curve.
4. The full variation in driver pull-up current from minimum to maximum process, temperature, and voltage lie within the outer bounding lines of the  $V$ - $I$  curve.
5. The full variation in the ratio of the maximum to minimum pull-up and pull-down current does not exceed 1.7, for device drain to source voltages from 0.1 to 1.0.
6. The full variation in the ratio of the nominal pull-up to pull-down current should be unity  $\pm 10\%$ , for device drain to source voltages from 0.1 to 1.0 V.

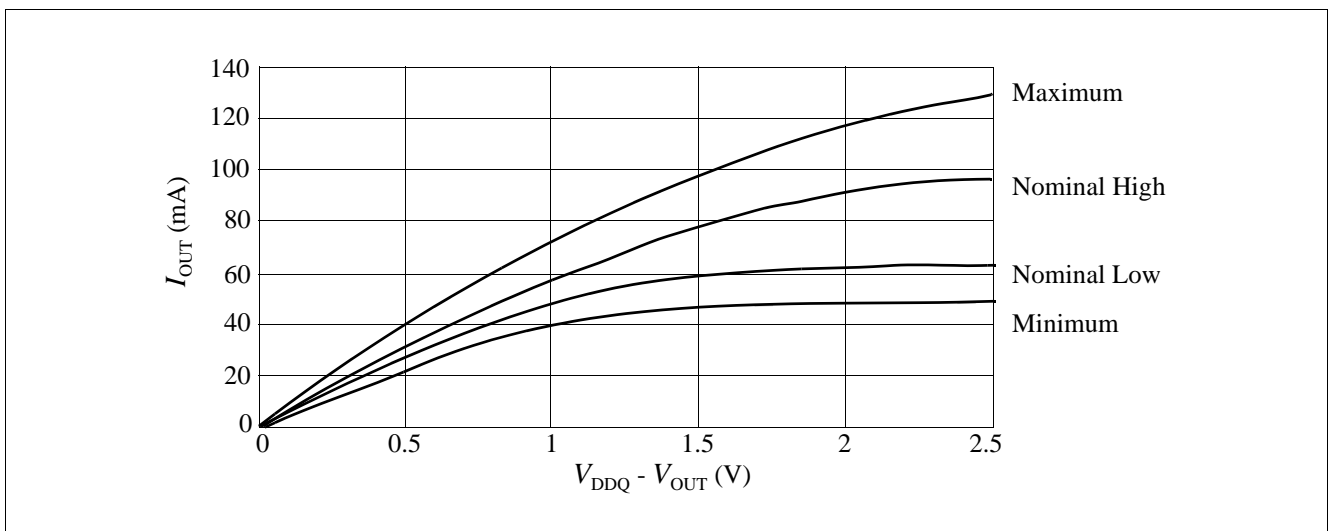


Figure 29 Normal Strength Pull-down Characteristics

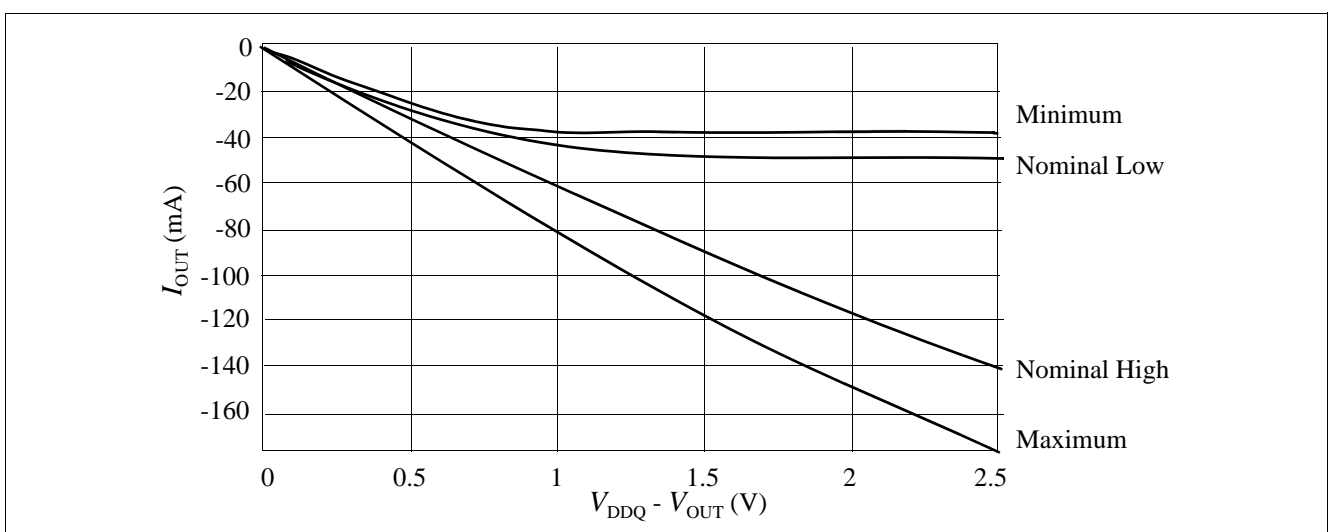


Figure 30 Normal Strength Pull-up Characteristics

Electrical Characteristics

Table 14 Normal Strength Pull-down and Pull-up Currents

Voltage (V)	Pulldown Current (mA)				Pullup Current (mA)			
	Nominal Low	Nominal High	Min.	Max.	Nominal Low	Nominal High	Min.	Max.
0.1	6.0	6.8	4.6	9.6	-6.1	-7.6	-4.6	-10.0
0.2	12.2	13.5	9.2	18.2	-12.2	-14.5	-9.2	-20.0
0.3	18.1	20.1	13.8	26.0	-18.1	-21.2	-13.8	-29.8
0.4	24.1	26.6	18.4	33.9	-24.0	-27.7	-18.4	-38.8
0.5	29.8	33.0	23.0	41.8	-29.8	-34.1	-23.0	-46.8
0.6	34.6	39.1	27.7	49.4	-34.3	-40.5	-27.7	-54.4
0.7	39.4	44.2	32.2	56.8	-38.1	-46.9	-32.2	-61.8
0.8	43.7	49.8	36.8	63.2	-41.1	-53.1	-36.0	-69.5
0.9	47.5	55.2	39.6	69.9	-43.8	-59.4	-38.2	-77.3
1.0	51.3	60.3	42.6	76.3	-46.0	-65.5	-38.7	-85.2
1.1	54.1	65.2	44.8	82.5	-47.8	-71.6	-39.0	-93.0
1.2	56.2	69.9	46.2	88.3	-49.2	-77.6	-39.2	-100.6
1.3	57.9	74.2	47.1	93.8	-50.0	-83.6	-39.4	-108.1
1.4	59.3	78.4	47.4	99.1	-50.5	-89.7	-39.6	-115.5
1.5	60.1	82.3	47.7	103.8	-50.7	-95.5	-39.9	-123.0
1.6	60.5	85.9	48.0	108.4	-51.0	-101.3	-40.1	-130.4
1.7	61.0	89.1	48.4	112.1	-51.1	-107.1	-40.2	-136.7
1.8	61.5	92.2	48.9	115.9	-51.3	-112.4	-40.3	-144.2
1.9	62.0	95.3	49.1	119.6	-51.5	-118.7	-40.4	-150.5
2.0	62.5	97.2	49.4	123.3	-51.6	-124.0	-40.5	-156.9
2.1	62.9	99.1	49.6	126.5	-51.8	-129.3	-40.6	-163.2
2.2	63.3	100.9	49.8	129.5	-52.0	-134.6	-40.7	-169.6
2.3	63.8	101.9	49.9	132.4	-52.2	-139.9	-40.8	-176.0
2.4	64.1	102.8	50.0	135.0	-52.3	-145.2	-40.9	-181.3
2.5	64.6	103.8	50.2	137.3	-52.5	-150.5	-41.0	-187.6
2.6	64.8	104.6	50.4	139.2	-52.7	-155.3	-41.1	-192.9
2.7	65.0	105.4	50.5	140.8	-52.8	-160.1	-41.2	-198.2

Table 15 Evaluation Conditions for I/O Driver Characteristics

Parameter	Nominal	Minimum	Maximum
Operating Temperature	25 °C	0 °C	70 °C
$V_{DD}/V_{DDQ}$	2.5 V	2.3 V	2.7 V
Process Corner	typical	slow-slow	fast-fast

### 4.3 Weak Strength Pull-down and Pull-up Characteristics

1. The weak pull-down  $V-I$  curve for DDR SDRAM devices is expected, but not guaranteed, to lie within the inner bounding lines of the  $V-I$  curve.
2. The weak pull-up  $V-I$  curve for DDR SDRAM devices is expected, but not guaranteed, to lie within the inner bounding lines of the  $V-I$  curve.
3. The full variation in driver pull-up current from minimum to maximum process, temperature, and voltage lie within the outer bounding lines of the  $V-I$  curve.
4. The full variation in the ratio of the maximum to minimum pull-up and pull-down current does not exceed 1.7, for device drain to source voltages from 0.1 to 1.0.
5. The full variation in the ratio of the nominal pull-up to pull-down current should be unity  $\pm 10\%$ , for device drain to source voltages from 0.1 to 1.0 V.

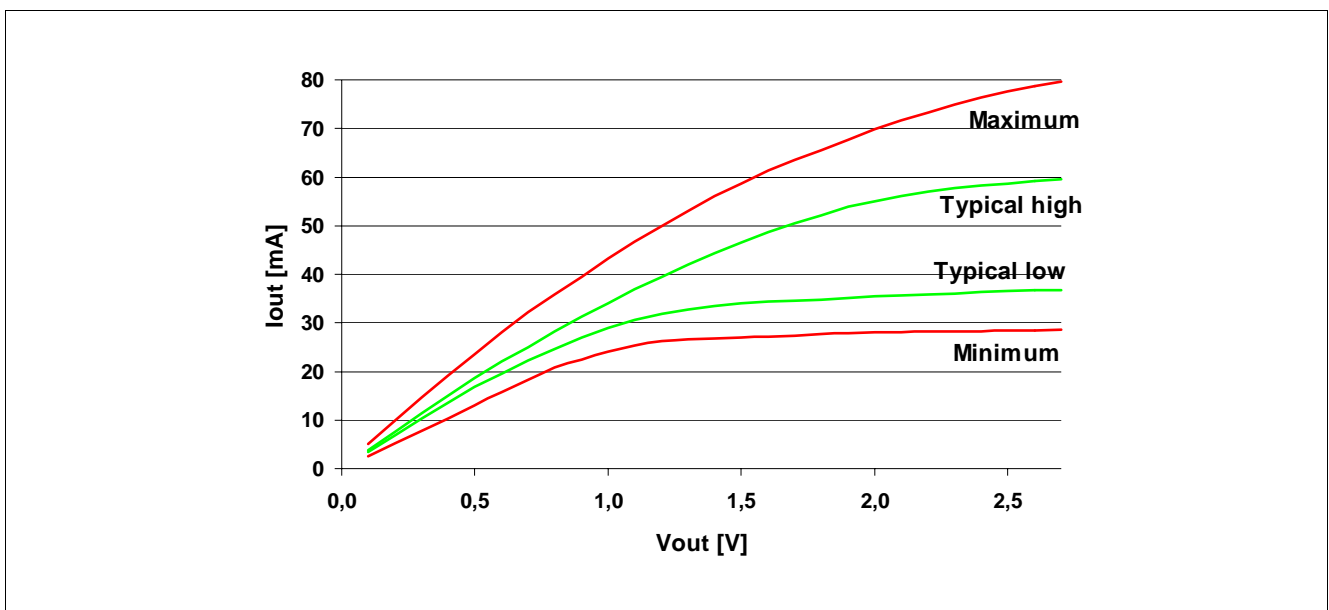


Figure 31 Weak Strength Pull-down Characteristics

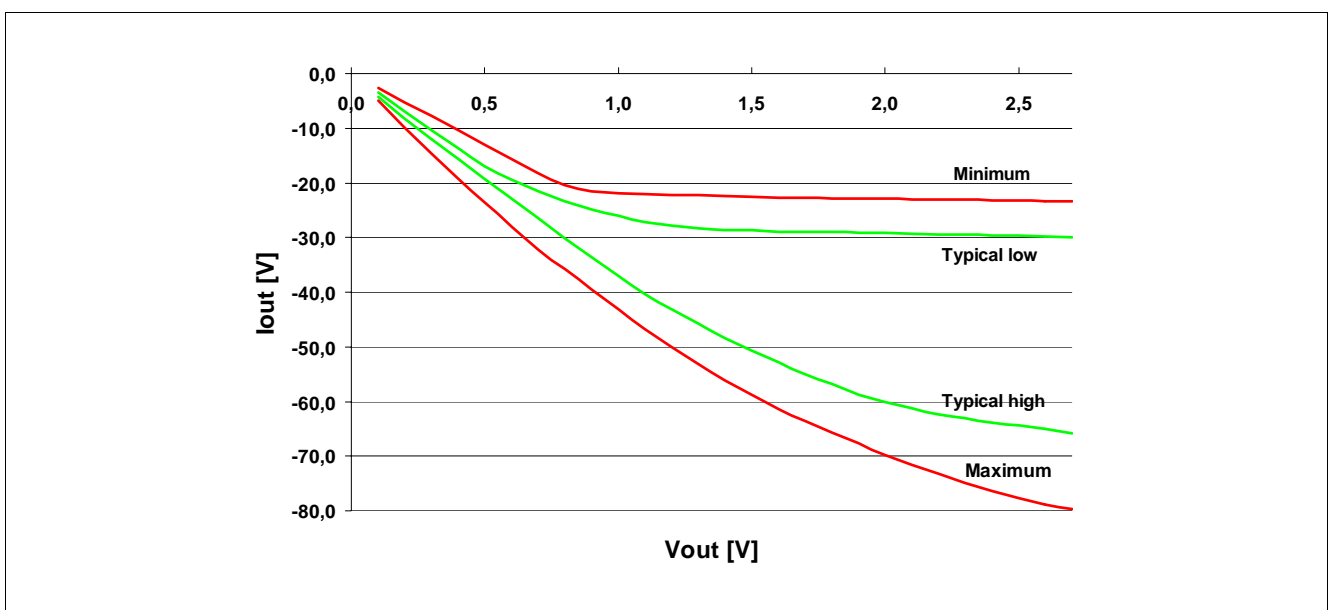


Figure 32 Weak Strength Pull-up Characteristics

**Table 16 Weak Strength Driver Pull-down and Pull-up Characteristics**

Voltage (V)	Pulldown Current (mA)				Pullup Current (mA)			
	Nominal Low	Nominal High	Min.	Max.	Nominal Low	Nominal High	Min.	Max.
0.1	3.4	3.8	2.6	5.0	-3.5	-4.3	-2.6	-5.0
0.2	6.9	7.6	5.2	9.9	-6.9	-8.2	-5.2	-9.9
0.3	10.3	11.4	7.8	14.6	-10.3	-12.0	-7.8	-14.6
0.4	13.6	15.1	10.4	19.2	-13.6	-15.7	-10.4	-19.2
0.5	16.9	18.7	13.0	23.6	-16.9	-19.3	-13.0	-23.6
0.6	19.6	22.1	15.7	28.0	-19.4	-22.9	-15.7	-28.0
0.7	22.3	25.0	18.2	32.2	-21.5	-26.5	-18.2	-32.2
0.8	24.7	28.2	20.8	35.8	-23.3	-30.1	-20.4	-35.8
0.9	26.9	31.3	22.4	39.5	-24.8	-33.6	-21.6	-39.5
1.0	29.0	34.1	24.1	43.2	-26.0	-37.1	-21.9	-43.2
1.1	30.6	36.9	25.4	46.7	-27.1	-40.3	-22.1	-46.7
1.2	31.8	39.5	26.2	50.0	-27.8	-43.1	-22.2	-50.0
1.3	32.8	42.0	26.6	53.1	-28.3	-45.8	-22.3	-53.1
1.4	33.5	44.4	26.8	56.1	-28.6	-48.4	-22.4	-56.1
1.5	34.0	46.6	27.0	58.7	-28.7	-50.7	-22.6	-58.7
1.6	34.3	48.6	27.2	61.4	-28.9	-52.9	-22.7	-61.4
1.7	34.5	50.5	27.4	63.5	-28.9	-55.0	-22.7	-63.5
1.8	34.8	52.2	27.7	65.6	-29.0	-56.8	-22.8	-65.6
1.9	35.1	53.9	27.8	67.7	-29.2	-58.7	-22.9	-67.7
2.0	35.4	55.0	28.0	69.8	-29.2	-60.0	-22.9	-69.8
2.1	35.6	56.1	28.1	71.6	-29.3	-61.2	-23.0	-71.6
2.2	35.8	57.1	28.2	73.3	-29.5	-62.4	-23.0	-73.3
2.3	36.1	57.7	28.3	74.9	-29.5	-63.1	-23.1	-74.9
2.4	36.3	58.2	28.3	76.4	-29.6	-63.8	-23.2	-76.4
2.5	36.5	58.7	28.4	77.7	-29.7	-64.4	-23.2	-77.7
2.6	36.7	59.2	28.5	78.8	-29.8	-65.1	-23.3	-78.8
2.7	36.8	59.6	28.6	79.7	-29.9	-65.8	-23.3	-79.7

#### 4.4 AC Characteristics

(Notes 1-5 apply to the following Tables; Electrical Characteristics and DC Operating Conditions, AC Operating Conditions,  $I_{DD}$  Specifications and Conditions, and Electrical Characteristics and AC Timing.)

##### Notes

1. All voltages referenced to  $V_{SS}$ .
2. Tests for AC timing,  $I_{DD}$ , and electrical, AC and DC characteristics, may be conducted at nominal reference/supply voltage levels, but the related specifications and device operation are guaranteed for the full voltage range specified.
3. **Figure 33** represents the timing reference load used in defining the relevant timing parameters of the part. It is not intended to be either a precise representation of the typical system environment nor a depiction of the actual load presented by a production tester. System designers will use IBIS or other simulation tools to correlate the timing reference load to a system environment. Manufacturers will correlate to their production test conditions (generally a coaxial transmission line terminated at the tester electronics).
4. AC timing and  $I_{DD}$  tests may use a  $V_{IL}$  to  $V_{IH}$  swing of up to 1.5 V in the test environment, but input timing is still referenced to  $V_{REF}$  (or to the crossing point for  $CK$ ,  $\overline{CK}$ ), and parameter specifications are guaranteed for the specified AC input levels under normal use conditions. The minimum slew rate for the input signals is 1 V/ns in the range between  $V_{IL(AC)}$  and  $V_{IH(AC)}$ .
5. The AC and DC input level specifications are as defined in the SSTL\_2 Standard (i.e. the receiver effectively switches as a result of the signal crossing the AC input level, and remains in that state as long as the signal does not ring back above (below) the DC input LOW (HIGH) level).
6. For System Characteristics like Setup & Holdtime Derating for Slew Rate, I/O Delta Rise/Fall Derating, DDR SDRAM Slew Rate Standards, Overshoot & Undershoot specification and Clamp V-I characteristics see the latest JEDEC specification for DDR components.

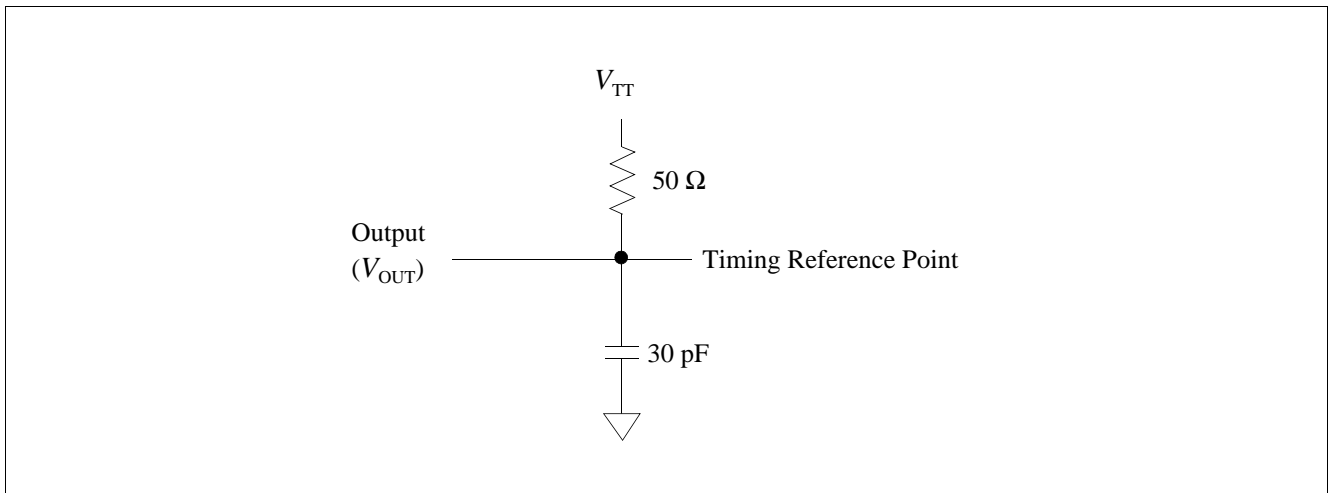


Figure 33 AC Output Load Circuit Diagram / Timing Reference Load

**Electrical Characteristics**
**Table 17 AC Operating Conditions<sup>1)</sup>**

Parameter	Symbol	Values		Unit	Note/ Test Condition
		Min.	Max.		
Input High (Logic 1) Voltage, DQ, DQS and DM Signals	$V_{IH(AC)}$	$V_{REF} + 0.31$	—	V	2)3)
Input Low (Logic 0) Voltage, DQ, DQS and DM Signals	$V_{IL(AC)}$	—	$V_{REF} - 0.31$	V	2)3)
Input Differential Voltage, CK and $\overline{CK}$ Inputs	$V_{ID(AC)}$	0.7	$V_{DDQ} + 0.6$	V	2)3)4)
Input Closing Point Voltage, CK and $\overline{CK}$ Inputs	$V_{IX(AC)}$	$0.5 \times V_{DDQ} - 0.2$	$0.5 \times V_{DDQ} + 0.2$	V	2)3)5)

- 1)  $V_{DDQ} = 2.6 \text{ V} \pm 0.1 \text{ V}$ ,  $V_{DD} = +2.6 \text{ V} \pm 0.1 \text{ V}$ ;  $0 \text{ }^\circ\text{C} \leq T_A \leq 70 \text{ }^\circ\text{C}$
- 2) Input slew rate = 1 V/ns.
- 3) Inputs are not recognized as valid until  $V_{REF}$  stabilizes.
- 4)  $V_{ID}$  is the magnitude of the difference between the input level on CK and the input level on  $\overline{CK}$ .
- 5) The value of  $V_{IX}$  is expected to equal  $0.5 \times V_{DDQ}$  of the transmitting device and must track variations in the DC level of the same.

**Table 18 Electrical Characteristics and AC Timing - Absolute Specifications -4/-5/-6<sup>1)</sup>**

Parameter	Symbol	-4		-5		-6		Unit	Note/ Test Condition
		Min.	Max.	Min.	Max.	Min.	Max.		
DQ output access time from CK/ $\overline{CK}$	$t_{AC}$	-0.6	+0.6	-0.65	+0.65	-0.7	+0.7	ns	2)3)4)5)
DQS output access time from CK/ $\overline{CK}$	$t_{DQSCK}$	-0.65	+0.65	-0.65	+0.65	-0.6	+0.6	ns	2)3)4)5)
CK high-level width	$t_{CH}$	0.45	0.55	0.45	0.55	0.45	0.55	$t_{CK}$	2)3)4)5)
CK low-level width	$t_{CL}$	0.45	0.55	0.45	0.55	0.45	0.55	$t_{CK}$	2)3)4)5)
Clock Half Period	$t_{HP}$	min. ( $t_{CL}$ , $t_{CH}$ )		min. ( $t_{CL}$ , $t_{CH}$ )		min. ( $t_{CL}$ , $t_{CH}$ )		ns	2)3)4)5)
Clock cycle time	$t_{CK}$	4	12	5	12	6	12	ns	CL = 3.0 <sup>2)3)4)5)</sup>
DQ and DM input hold time	$t_{DH}$	0.4	—	0.4	—	0.45	—	ns	2)3)4)5)
DQ and DM input setup time	$t_{DS}$	0.4	—	0.4	—	0.45	—	ns	2)3)4)5)
Control and Addr. input pulse width (each input)	$t_{IPW}$	2.2	—	2.2	—	2.2	—	ns	2)3)4)5)6)
DQ and DM input pulse width (each input)	$t_{DIPW}$	1.75	—	1.75	—	1.75	—	ns	2)3)4)5)6)
Data-out high-impedance time from CK/ $\overline{CK}$	$t_{HZ}$	-0.7	0.7	-0.7	+0.7	-0.7	+0.7	ns	2)3)4)5)7)
Data-out low-impedance time from CK/ $\overline{CK}$	$t_{LZ}$	-0.7	0.7	-0.7	+0.7	-0.7	+0.7	ns	2)3)4)5)7)
Write command to 1 <sup>st</sup> DQS latching transition	$t_{DQSS}$	0.85	1.15	0.75	1.25	0.75	1.25	$t_{CK}$	2)3)4)5)
DQS-DQ skew (DQS and associated DQ signals)	$t_{DQSQ}$	—	0.5	—	0.5	—	0.45	ns	P-TSOPII-66-1 <sup>2)3)4)5)</sup>
Data hold skew factor	$t_{QHS}$	—	0.4	—	0.5	—	0.55	ns	P-TSOPII-66-1 <sup>2)3)4)5)</sup>
DQ/DQS output hold time	$t_{QH}$	$t_{HP} - t_{QHS}$	—	$t_{HP} - t_{QHS}$	—	$t_{HP} - t_{QHS}$	—	ns	2)3)4)5)

**Electrical Characteristics**
**Table 18 Electrical Characteristics and AC Timing - Absolute Specifications –4/–5/–6<sup>1)</sup> (cont'd)**

Parameter	Symbol	–4		–5		–6		Unit	Note/ Test Condition
		Min.	Max.	Min.	Max.	Min.	Max.		
DQS input low (high) pulse width (write cycle)	$t_{DQSL,H}$	0.35	—	0.35	—	0.35	—	$t_{CK}$	2)3)4)5)
DQS falling edge to CK setup time (write cycle)	$t_{DSS}$	0.2	—	0.2	—	0.2	—	$t_{CK}$	2)3)4)5)
DQS falling edge hold time from CK (write cycle)	$t_{DSH}$	0.2	—	0.2	—	0.2	—	$t_{CK}$	2)3)4)5)
Mode register set command cycle time	$t_{MRD}$	2	—	2	—	2	—	$t_{CK}$	2)3)4)5)
Write preamble setup time	$t_{WPRES}$	0	—	0	—	0	—	ns	2)3)4)5)8)
Write postamble	$t_{WPST}$	0.40	0.60	0.40	0.60	0.40	0.60	$t_{CK}$	2)3)4)5)9)
Write preamble	$t_{WPRES}$	0.25	—	0.25	—	0.25	—	$t_{CK}$	2)3)4)5)
Address and control input setup time	$t_{IS}$	0.6	—	0.6	—	0.75	—	ns	2)4)5)6)10)
Address and control input hold time	$t_{IH}$	0.6	—	0.6	—	0.75	—	ns	2)4)5)6)10)
Read preamble	$t_{RPRE}$	0.9	1.1	0.9	1.1	0.9	1.1	$t_{CK}$	2)3)4)5)
Read postamble	$t_{RPST}$	0.4	0.6	0.4	0.6	0.40	0.60	$t_{CK}$	2)3)4)5)
Active to Precharge command	$t_{RAS}$	36	70E+3	40	70E+3	42	70E+3	ns	2)3)4)5)
Active to Active/Auto-refresh command period	$t_{RC}$	52	—	55	—	60	—	ns	2)3)4)5)
Auto-refresh to Active/Auto-refresh command period	$t_{RFC}$	60	—	65	—	72	—	ns	2)3)4)5)
Active to Read delay	$t_{RCDRD}$	16	—	20	—	18	—	ns	2)3)4)5)
Active to Write delay	$t_{RCDWR}$	12	—	15	—	18	—		
Precharge command period	$t_{RP}$	16	—	20	—	18	—	ns	2)3)4)5)
Active to Autoprecharge delay	$t_{RAP}$	16	—	20	—	$t_{RCD}$ or $t_{RASmin}$		ns	2)3)4)5)
Active bank A to Active bank B command	$t_{RRD}$	8	—	10	—	12	—	ns	2)3)4)5)
Write recovery time	$t_{WR}$	15	—	15	—	15	—	ns	2)3)4)5)
Auto precharge write recovery + precharge time	$t_{DAL}$	28	—	35	—	$(t_{WR}/t_{CK}) + (t_{RP}/t_{CK})$		$t_{CK}$	2)3)4)5)10)
Internal write to read command delay	$t_{WTR}$	1	—	1	—	1	—	$t_{CK}$	2)3)4)5)
Exit self-refresh to non-read command	$t_{XSNR}$	75	—	75	—	75	—	ns	2)3)4)5)
Exit self-refresh to read command	$t_{XSRD}$	200	—	200	—	200	—	$t_{CK}$	2)3)4)5)
Average Periodic Refresh Interval	$t_{REFI}$	—	7.8	—	7.8	—	7.8	$\mu$ s	2)3)4)5)11)

1)  $0\text{ }^{\circ}\text{C} \leq T_A \leq 70\text{ }^{\circ}\text{C}$ ;  $V_{DDQ} = 2.6\text{ V} \pm 0.1\text{ V}$ ,  $V_{DD} = +2.6\text{ V} \pm 0.1\text{ V}$

2) Input slew rate  $\geq 1\text{ V/ns}$



Electrical Characteristics

- 3) The CK/ $\overline{\text{CK}}$  input reference level (for timing reference to CK/ $\overline{\text{CK}}$ ) is the point at which CK and  $\overline{\text{CK}}$  cross: the input reference level for signals other than CK/ $\overline{\text{CK}}$ , is  $V_{\text{REF}}$ . CK/ $\overline{\text{CK}}$  slew rate are  $\geq 1.0$  V/ns.
- 4) Inputs are not recognized as valid until  $V_{\text{REF}}$  stabilizes.
- 5) The Output timing reference level, as measured at the timing reference point indicated in AC Characteristics (note 3) is  $V_{\text{TT}}$ .
- 6) These parameters guarantee device timing, but they are not necessarily tested on each device.
- 7)  $t_{\text{HZ}}$  and  $t_{\text{LZ}}$  transitions occur in the same access time windows as valid data transitions. These parameters are not referred to a specific voltage level, but specify when the device is no longer driving (HZ), or begins driving (LZ).
- 8) The specific requirement is that DQS be valid (HIGH, LOW, or some point on a valid transition) on or before this CK edge. A valid transition is defined as monotonic and meeting the input slew rate specifications of the device. When no writes were previously in progress on the bus, DQS will be transitioning from Hi-Z to logic LOW. If a previous write was in progress, DQS could be HIGH, LOW, or transitioning from HIGH to LOW at this time, depending on  $t_{\text{DQSS}}$ .
- 9) The maximum limit for this parameter is not a device limit. The device operates with a greater value for this parameter, but system performance (bus turnaround) degrades accordingly.
- 10) For each of the terms, if not already an integer, round to the next highest integer.  $t_{\text{CK}}$  is equal to the actual system clock cycle time.
- 11) A maximum of eight Autorefresh commands can be posted to any given DDR SDRAM device.

Table 19  $I_{\text{DD}}$  Conditions

Parameter	Symbol
<b>Operating Current 0</b> one bank; active/ precharge; $t_{\text{RC}} = t_{\text{RCMIN}}$ ; DQ, DM, and DQS inputs changing once per clock cycle; address and control inputs changing once every two clock cycles.	$I_{\text{DD0}}$
<b>Operating Current 1</b> one bank; active/read/precharge; Burst Length = 4; Refer to <a href="#">Chapter 4.4.1</a> for detailed test conditions.	$I_{\text{DD1}}$
<b>Precharge Power-Down Standby Current</b> all banks idle; power-down mode; $\text{CKE} \leq V_{\text{ILMAX}}$	$I_{\text{DD2P}}$
<b>Precharge Floating Standby Current</b> $\text{CS} \geq V_{\text{IHMIN}}$ , all banks idle; $\text{CKE} \geq V_{\text{IHMIN}}$ ; address and other control inputs changing once per clock cycle; $V_{\text{IN}} = V_{\text{REF}}$ for DQ, DQS and DM.	$I_{\text{DD2F}}$
<b>Precharge Quiet Standby Current</b> $\text{CS} \geq V_{\text{IHMIN}}$ , all banks idle; $\text{CKE} \geq V_{\text{IHMIN}}$ ; address and other control inputs stable at $\geq V_{\text{IHMIN}}$ or $\leq V_{\text{ILMAX}}$ ; $V_{\text{IN}} = V_{\text{REF}}$ for DQ, DQS and DM.	$I_{\text{DD2Q}}$
<b>Active Power-Down Standby Current</b> one bank active; power-down mode; $\text{CKE} \leq V_{\text{ILMAX}}$ ; $V_{\text{IN}} = V_{\text{REF}}$ for DQ, DQS and DM.	$I_{\text{DD3P}}$
<b>Active Standby Current</b> one bank active; $\text{CS} \geq V_{\text{IHMIN}}$ ; $\text{CKE} \geq V_{\text{IHMIN}}$ ; $t_{\text{RC}} = t_{\text{RASMAX}}$ ; DQ, DM and DQS inputs changing twice per clock cycle; address and control inputs changing once per clock cycle.	$I_{\text{DD3N}}$
<b>Operating Current Read</b> one bank active; Burst Length = 2; reads; continuous burst; address and control inputs changing once per clock cycle; 50% of data outputs changing on every clock edge; $\text{CL} = 3$ ; $I_{\text{OUT}} = 0$ mA	$I_{\text{DD4R}}$
<b>Operating Current Write</b> one bank active; Burst Length = 2; writes; continuous burst; address and control inputs changing once per clock cycle; 50% of data outputs changing on every clock edge; $\text{CL} = 3$	$I_{\text{DD4W}}$
<b>Auto-Refresh Current</b> $t_{\text{RC}} = t_{\text{RFCMIN}}$ ; distributed refresh	$I_{\text{DD5}}$
<b>Self-Refresh Current</b> $\text{CKE} \leq 0.2$ V; external clock on	$I_{\text{DD6}}$
<b>Operating Current 7</b> four bank interleaving with Burst Length = 4; Refer to <a href="#">Chapter 4.4.1</a> for detailed test conditions.	$I_{\text{DD7}}$

Electrical Characteristics

Table 20  $I_{DD}$  Specification

Parameter	Symbol	-4	-5		-6		Unit	Note/ Test Condition <sup>1)</sup>
		Max.	Typ.	Max.	Typ.	Max.		
Operating Current 0	$I_{DD0}$	115	75	90	65	75	mA	2)3)
Operating Current 1	$I_{DD1}$	135	95	110	80	95	mA	3)
Precharge Power-Down Standby Current	$I_{DD2P}$	6	4	5	4	5	mA	3)
Precharge Floating Standby Current	$I_{DD2F}$	45	30	36	25	30	mA	3)
Precharge Quiet Standby Current	$I_{DD2Q}$	35	20	28	17	24	mA	3)
Active Power-Down Standby Current	$I_{DD3P}$	23	13	18	11	15	mA	3)
Active Standby Current	$I_{DD3N}$	65	43	54	36	45	mA	3)
Operating Current Read	$I_{DD4R}$	150	100	120	85	100	mA	3)
Operating Current Write	$I_{DD4W}$	160	100	130	90	110	mA	3)
Auto-Refresh Current	$I_{DD5}$	240	140	190	120	160	mA	3)
Self-Refresh Current	$I_{DD6}$	2.8	1.4	2.8	1.4	2.8	mA	3)4)
Operating Current 7	$I_{DD7}$	315	210	250	180	215	mA	3)

- 1) Test conditions for typical values:  $V_{DD} = 2.6\text{ V}$ ,  $T_A = 25\text{ °C}$ , test conditions for maximum values:  $V_{DD} = 2.7\text{ V}$ ,  $T_A = 10\text{ °C}$
- 2)  $I_{DD}$  specifications are tested after the device is properly initialized and measured at 200 MHz.
- 3) Input slew rate = 1 V/ns.
- 4) Enables on-chip refresh and address counters.

#### 4.4.1 $I_{DD}$ Current Measurement Conditions

Legend: A = Activate, R = Read, RA = Read with Autoprecharge, P = Precharge, N = NOP or DESELECT

##### $I_{DD1}$ : Operating Current: One Bank Operation

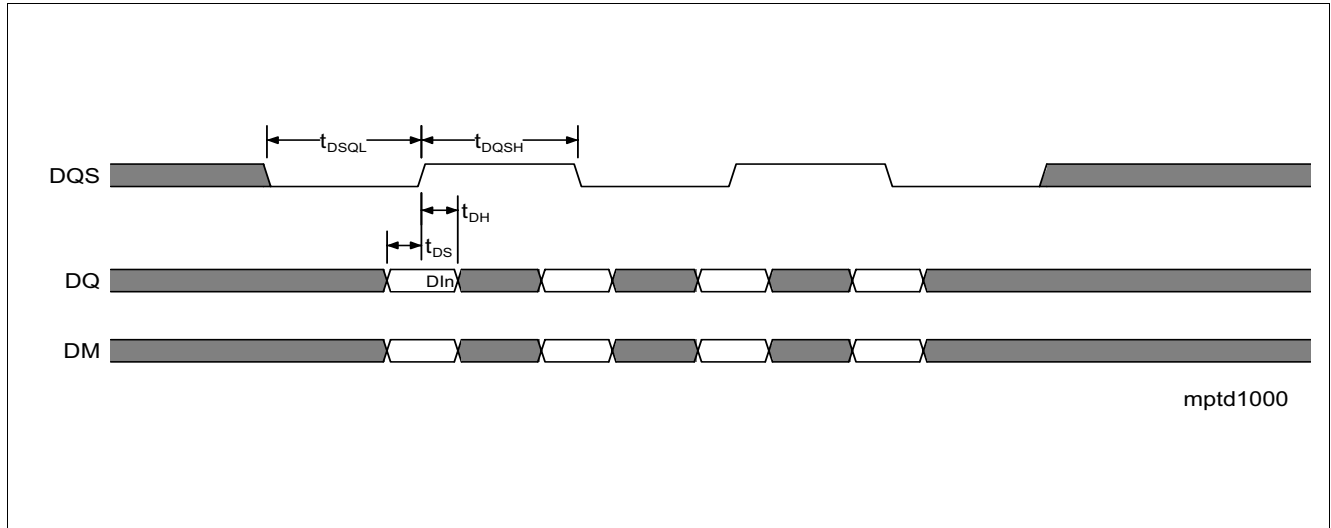
1. General test condition
  - a) Only one bank is accessed with  $t_{RC,MIN}$ .
  - b) Burst Mode, Address and Control inputs are changing once per NOP and DESELECT cycle.
  - c) 50% of data changing at every transfer
  - d)  $I_{OUT} = 0$  mA.
2. Timing patterns
  - a) (200 MHz, CL = 3):  $t_{CK} = 5$  ns, BL = 4,  $t_{RCD} = 3 \times t_{CK}$ ,  $t_{RC} = 11 \times t_{CK}$ ,  $t_{RAS} = 8 \times t_{CK}$   
 Setup: A0 N N R0 N N N N P0 N N  
 Read: A0 N N R0 N N N N P0 N N -repeat the same timing with random address changing

##### $I_{DD7}$ : Operating Current: Four Bank Operation

1. General test condition
  - a) Four banks are being interleaved with  $t_{RC,MIN}$ .
  - b) Burst Mode, Address and Control inputs on NOP edge are not changing.
  - c) 50% of data changing at every transfer
  - d)  $I_{OUT} = 0$  mA.
2. Timing patterns
  - a) (200 MHz, CL = 3):  $t_{CK} = 5$  ns, BL = 4,  $t_{RRD} = 2 \times t_{CK}$ ,  $t_{RCD} = 3 \times t_{CK}$ ,  $t_{RAS} = 8 \times t_{CK}$   
 Setup: A0 N A1 RA0 A2 RA1 A3 RA2 N RA3 N  
 Read: A0 N A1 RA0 A2 RA1 A3 RA2 N RA3 N - repeat the same timing with random address

## 5 Timing Diagrams

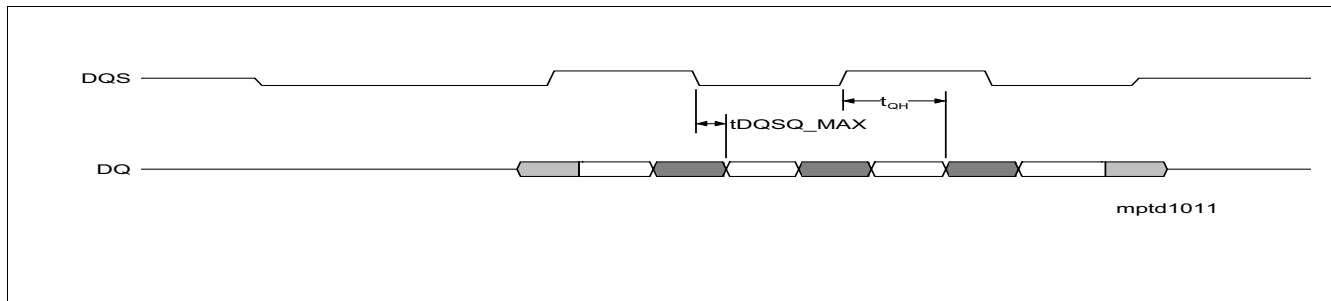
All Timing diagrams are based on DDR400 Time settings. For Time settings based on DDR500 see [Table 18](#).



**Figure 34 Data Input (Write), Timing Burst Length = 4**

Note:

1.  $DI_n$  = Data In for column  $n$ .
2. 3 subsequent elements of data in are applied in programmed order following  $DI_n$ .



**Figure 35 Data Output (Read), Timing Burst Length = 4**

Note:

1.  $t_{QH}$  (Data output hold time from DQS)
2.  $t_{DQSQ}$  and  $t_{QH}$  are only shown once and are shown referenced to different edges of DQS, only for clarify of illustration.
3.  $t_{DQSQ}$  and  $t_{QH}$  both apply to each of the four relevant edges of DQS.
4.  $t_{DQSQ}$  max. is used to determine the worst case setup time for controller data capture.
5.  $t_{QH}$  is used to determine the worst case hold time for controller data capture.

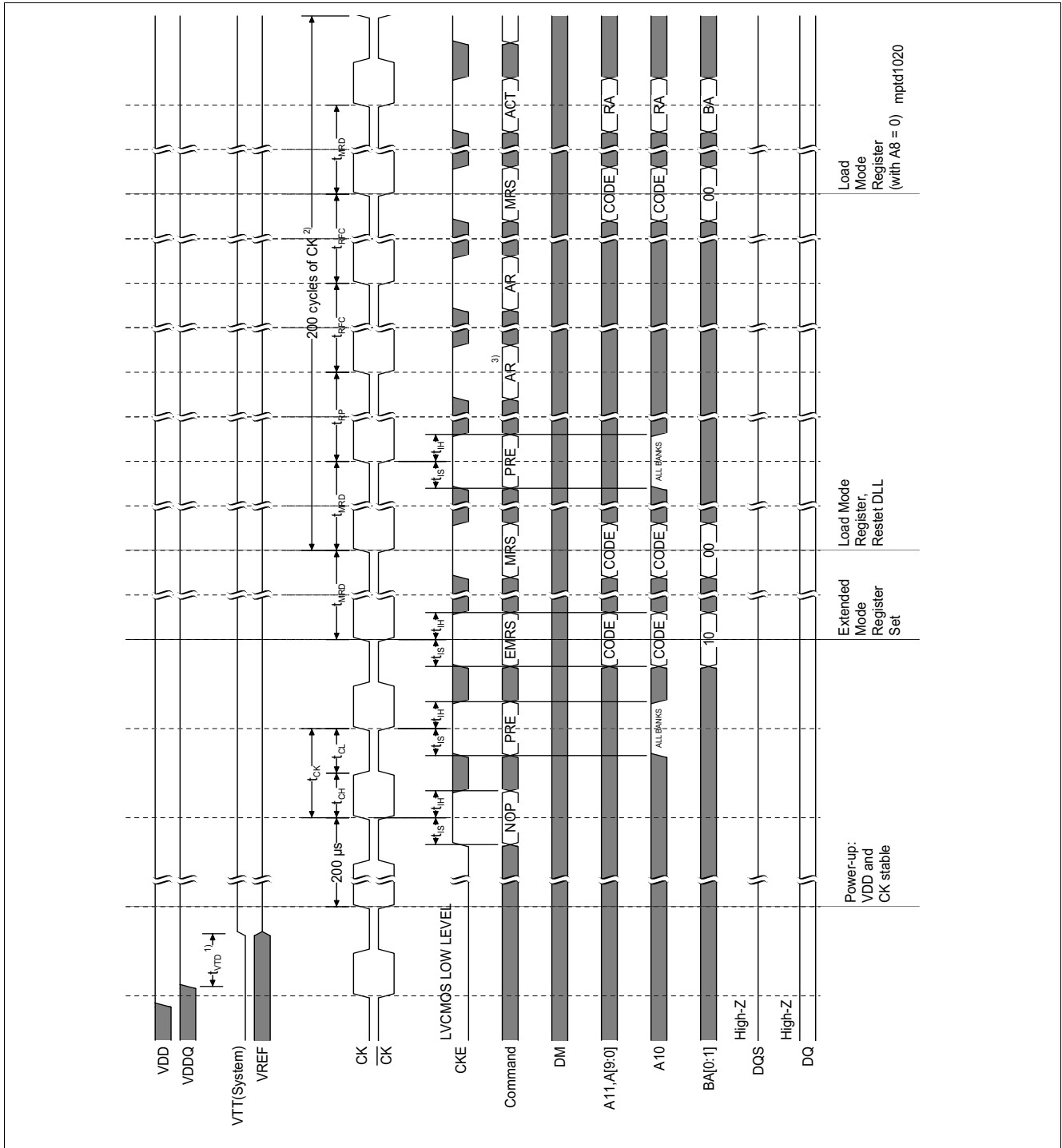


Figure 36 Initialize and Mode Register Sets

Note:

- \* VTT is not applied directly to the device, however  $t_{VTD}$  must be greater than or equal to zero to avoid device latchup.
- \*\*  $t_{MRD}$  is required before any command can be applied and 200 cycles of CK are required before a Read command can be applied.
- The two Autorefresh commands may be moved to follow the first MRS, but precede the second Precharge All command.
- The Timing reference is shown with respect to Vref-Crossing.

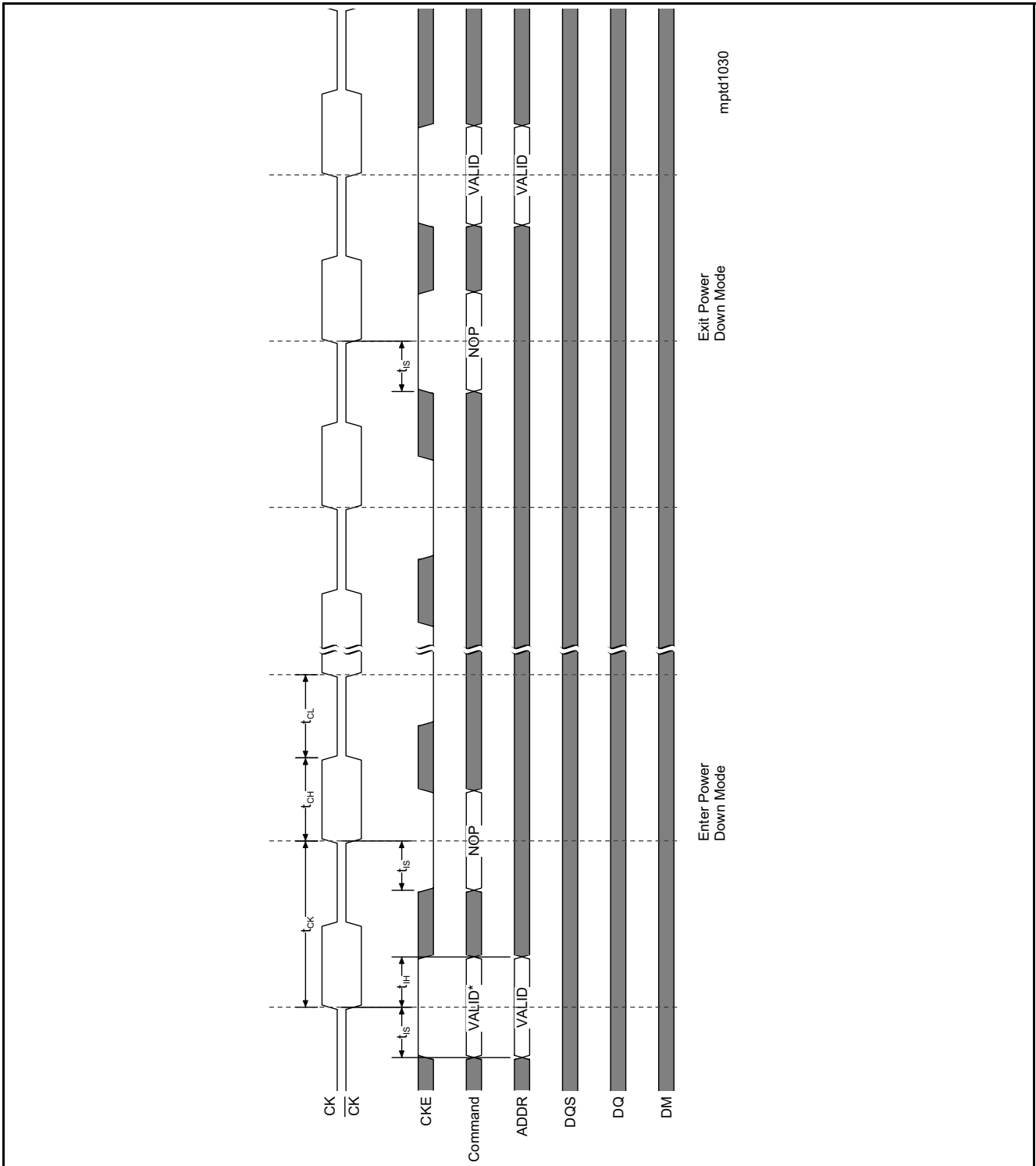


Figure 37 Power Down Mode

Note:

1. No column accesses are allowed to be in progress at the time power down is entered.
2. \* = If this command is a Precharge (or if the device is already in the idle state) then the power down mode shown is Precharge power down. If this command is an Active (or if at least one row is already active), then the power down mode shown is Active power down.
3. The Timing reference is shown with respect to  $V_{ref}$ -Crossing.



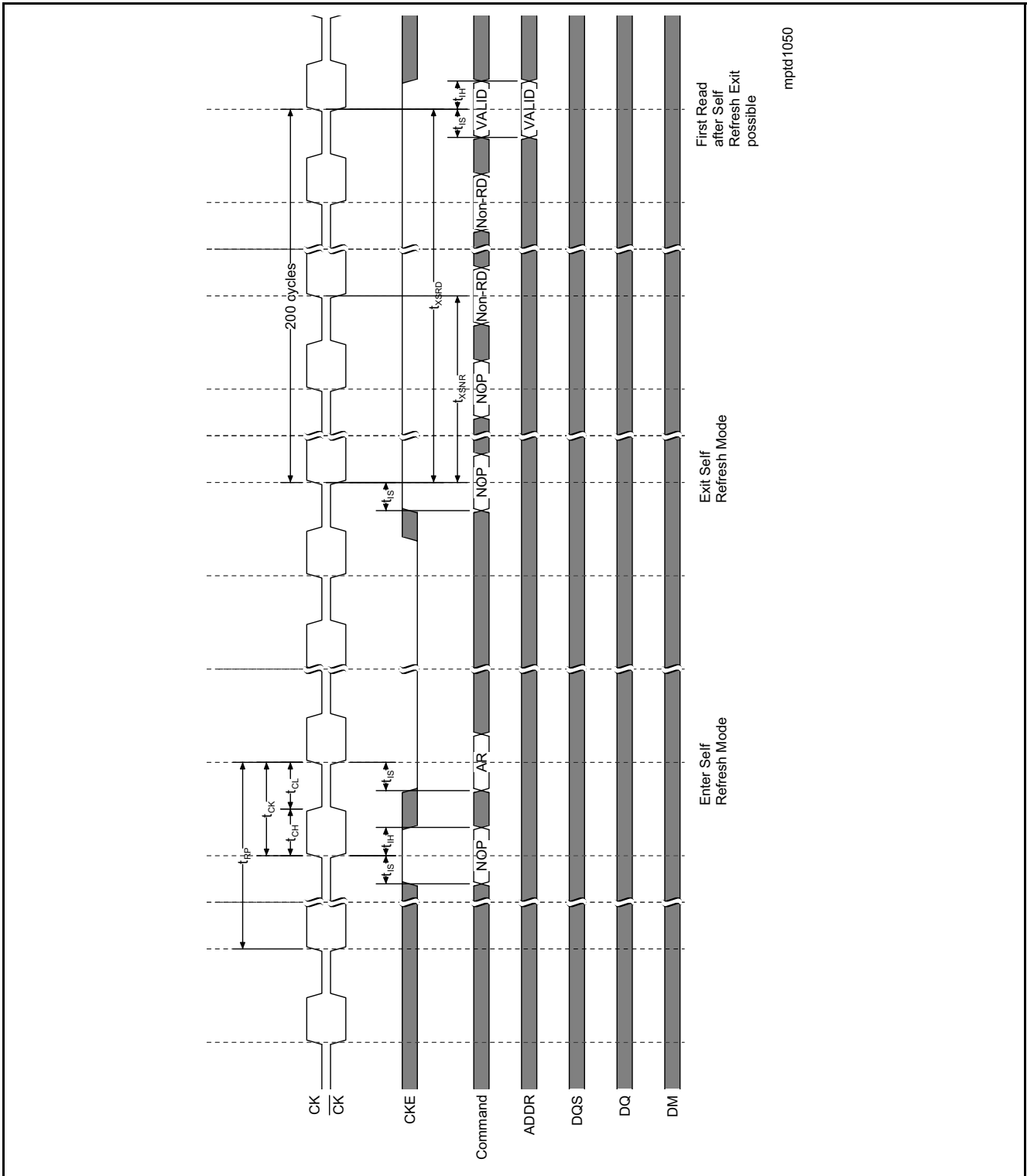


Figure 39 Self Refresh Mode

Note:

- \* = Device must be in the all banks idle state before entering Self Refresh Mode.
- \*\* =  $t_{XSNR}$  is required before any non-read command can be applied, and  $t_{XSRD}$  (200 cycles of CK) are required before a Read command can be applied.
- The Timing reference is shown with respect to Vref-Crossing.



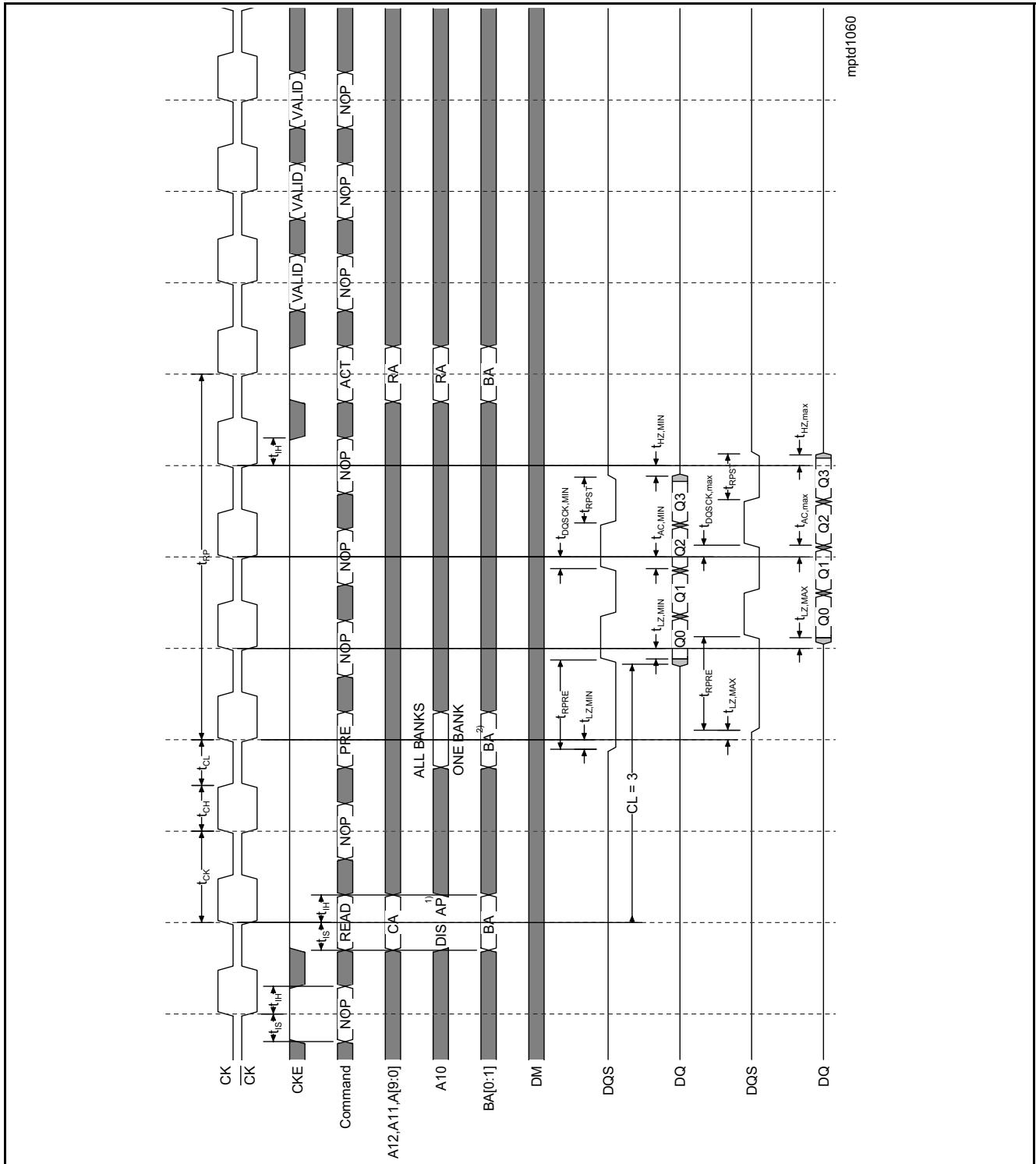


Figure 40 Read without Auto Precharge (Burst Length = 4)

Note:

1. DIS AP = Disable Auto Precharge.
2. Don't care if A10 is High at this point.
3. PRE = Precharge; ACT = Active; RA = Row address; BA = Bank address.
4. NOP commands are shown for ease of illustration; other commands may be valid at these times.
5. The Timing reference is shown with respect to Vref-Crossing.







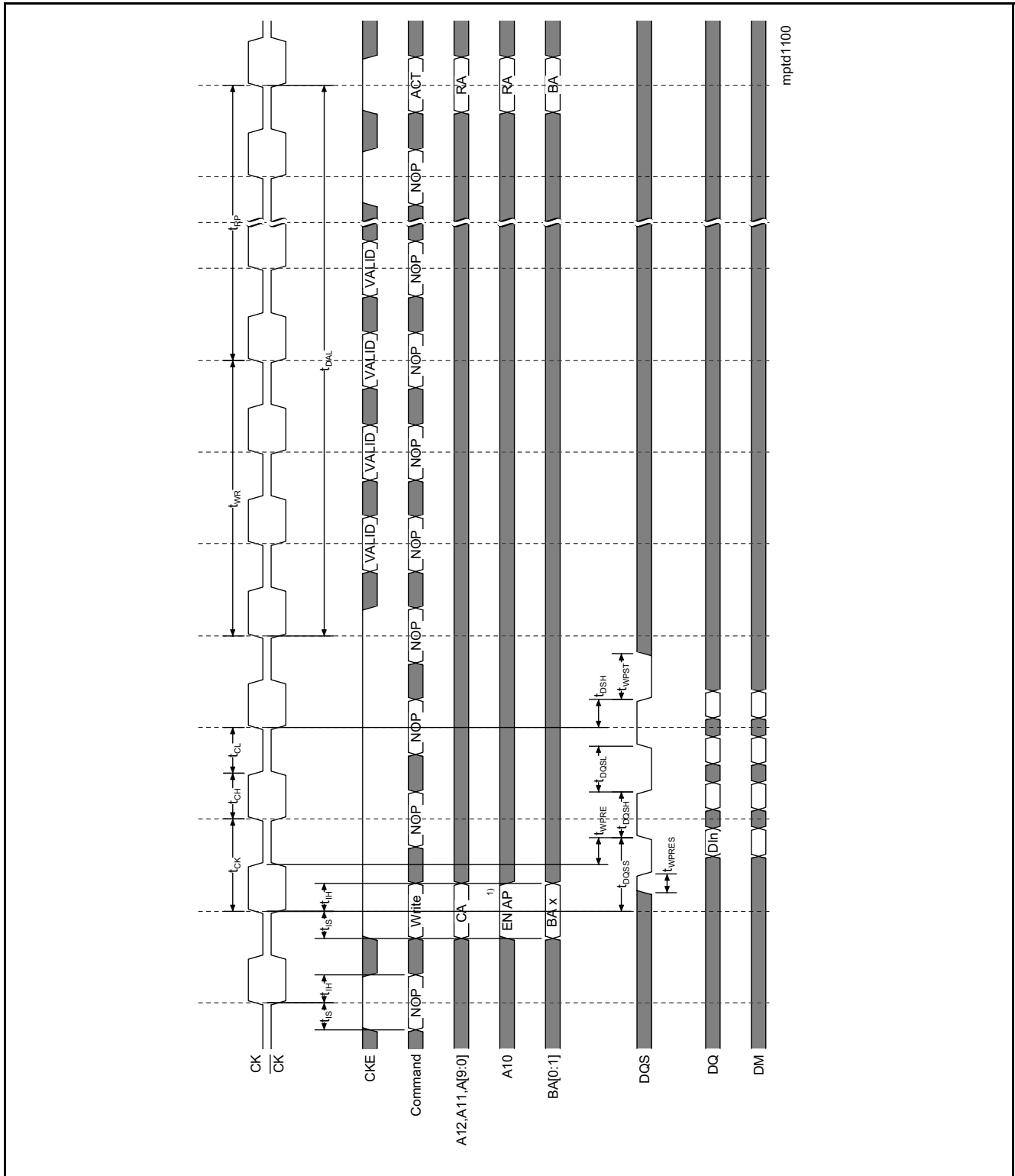


Figure 44 Write with Auto Precharge (Burst Length = 4)

Note:

1. EN AP = Enable Auto Precharge.
2. ACT = Active; RA = Row address; BA = Bank address.
3. NOP commands are shown for ease of illustration; other valid commands may be possible at these times.
4. The Timing reference is shown with respect to Vref-Crossing.



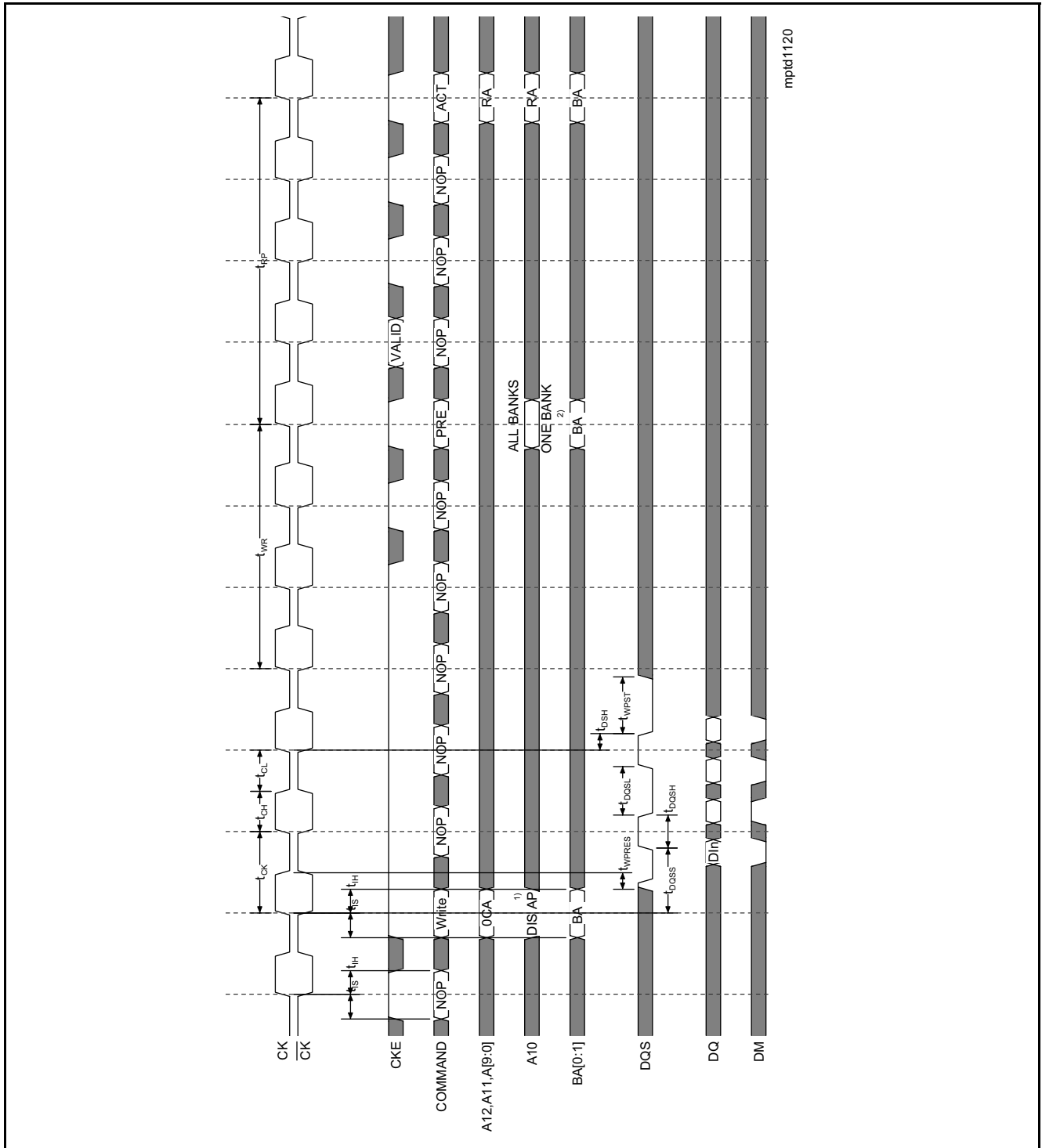


Figure 46 Write DM Operation (Burst Length = 4)

Note:

1. DIS AP = Disable Auto Precharge.
2. Don't care if A10 is High at this point.
3. PRE = Precharge; ACT = Active; RA = Row address; BA = Bank address.
4. NOP commands are shown for ease of illustration; other valid commands may be possible at these times.  
 $t_{DQSS} = \min.$
5. The Timing reference is shown with respect to Vref-Crossing.

## 6 Package Outlines

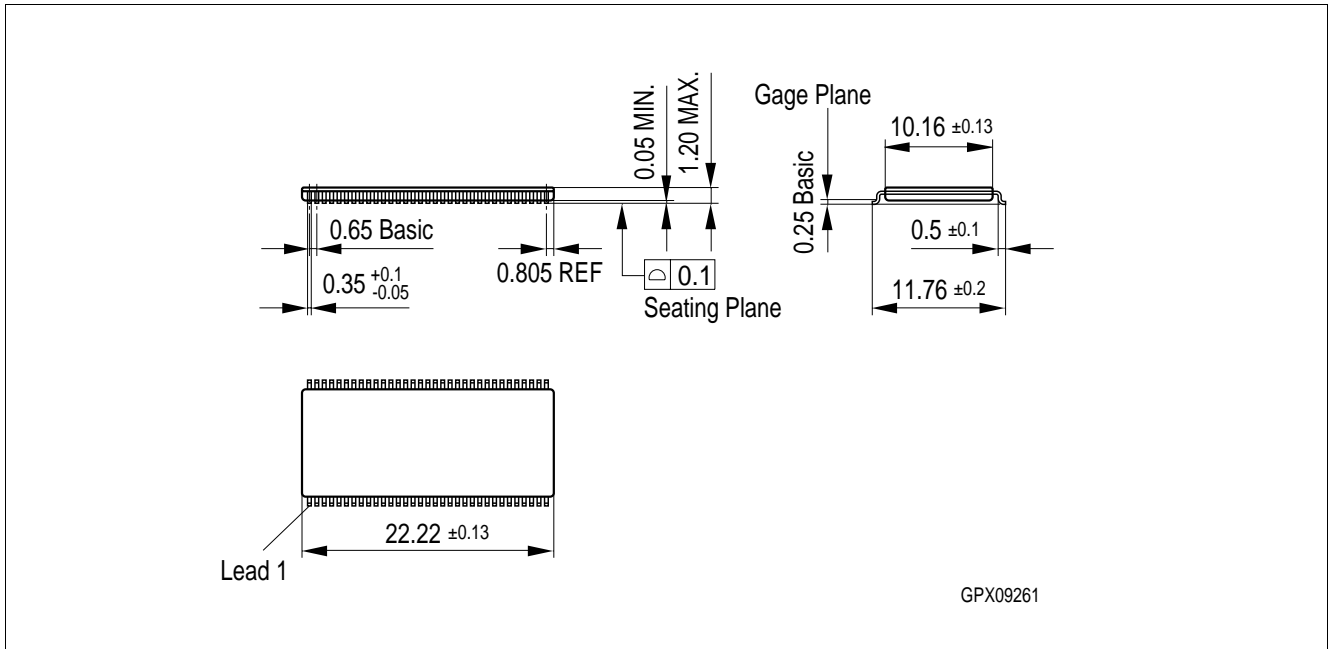


Figure 47 P-TSOPII-66-1 (Plastic Thin Small Outline Package Type II)

You can find all of our packages, sorts of packing and others in our Infineon Internet Page "Products": <http://www.infineon.com/products>.



