

Advanced Information

- 8 388 608 words by 36-Bit organization in 2 banks
- Fast access and cycle time
 - 60 ns $\overline{\text{RAS}}$ access time
 - 15 ns $\overline{\text{CAS}}$ access time
 - 104 ns cycle time
- Hyper page mode (EDO) capability
 - 25 ns cycle time
- Single + 5 V ($\pm 10\%$) supply
- Low power dissipation
 - max. 7260 mW active
 - CMOS – 132 mW standby
 - TTL – 264 mW standby
- $\overline{\text{CAS}}$ -before- $\overline{\text{RAS}}$ refresh
 - $\overline{\text{RAS}}$ -only-refresh
 - Hidden-refresh
- 24 decoupling capacitors mounted on substrate
- All inputs, outputs and clocks fully TTL compatible
- 72 pin Single in-Line Memory Module (L-SIM-72-17) with 31.75 mm (1250 mil) height
- Utilizes 24 4M x 3 DRAM's in 300 mil SOJ packages
- 2048 refresh cycles / 32 ms
- Optimized for use in byte-write parity applications
- Tin-Lead contact pads (HYM 368035S-60)
- Gold contact pads (HYM 368035GS-60)

The HYM 368035S/GS-60 is a 32 MByte EDO-DRAM module organized as 8 388 608 words by 36-Bit in two banks assembled on a 72-pin single-in-line package comprising 24 HYB 5117305BJ 4M × 3 DRAMs in 300 mil wide SOJ-packages mounted together with 24 0.2 µF ceramic decoupling capacitors on a PC board.

The HYB 5117305BJ is described in the data sheet and is fully electrical tested and processed according to SIEMENS standard quality procedure prior to module assembly. After assembly onto the board, a further set of electrical tests is performed.

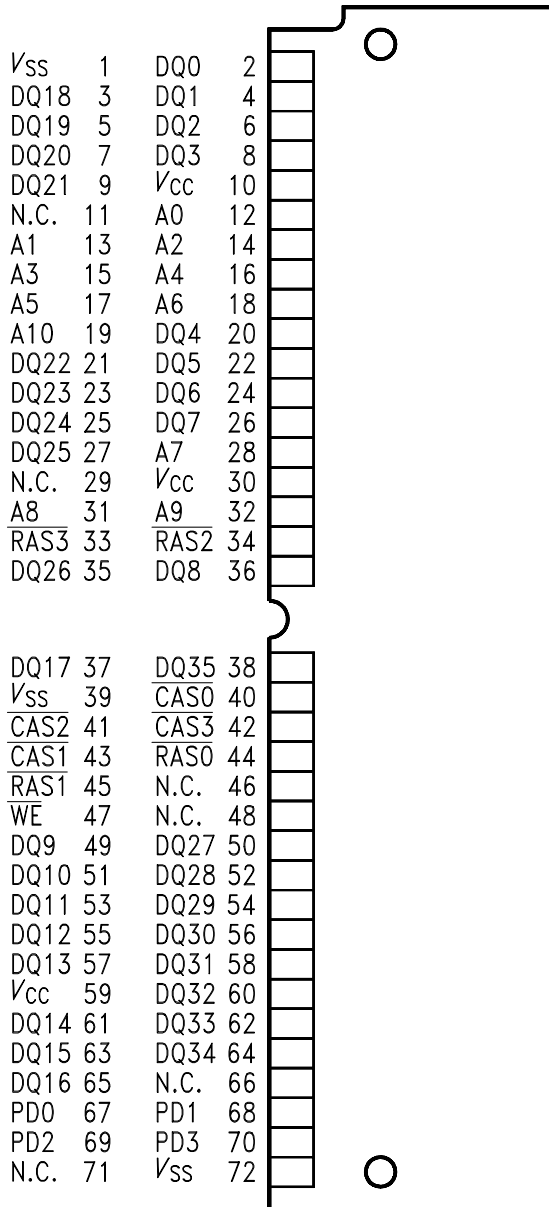
The speed of the module can be detected by the use of four presence detect pins.

The common I/O feature on the HYM 368035S-60 dictates the use of early write cycles.

Ordering Information

Type	Ordering Code	Package	Description
HYM 368035S-60	Q67100-Q3018	L-SIM-72-17	EDO-DRAM Module (access time 60 ns)
HYM 368035GS-60	Q67100-Q3019	L-SIM-72-17	EDO-DRAM Module (access time 60 ns)

Pin Configuration (top view)



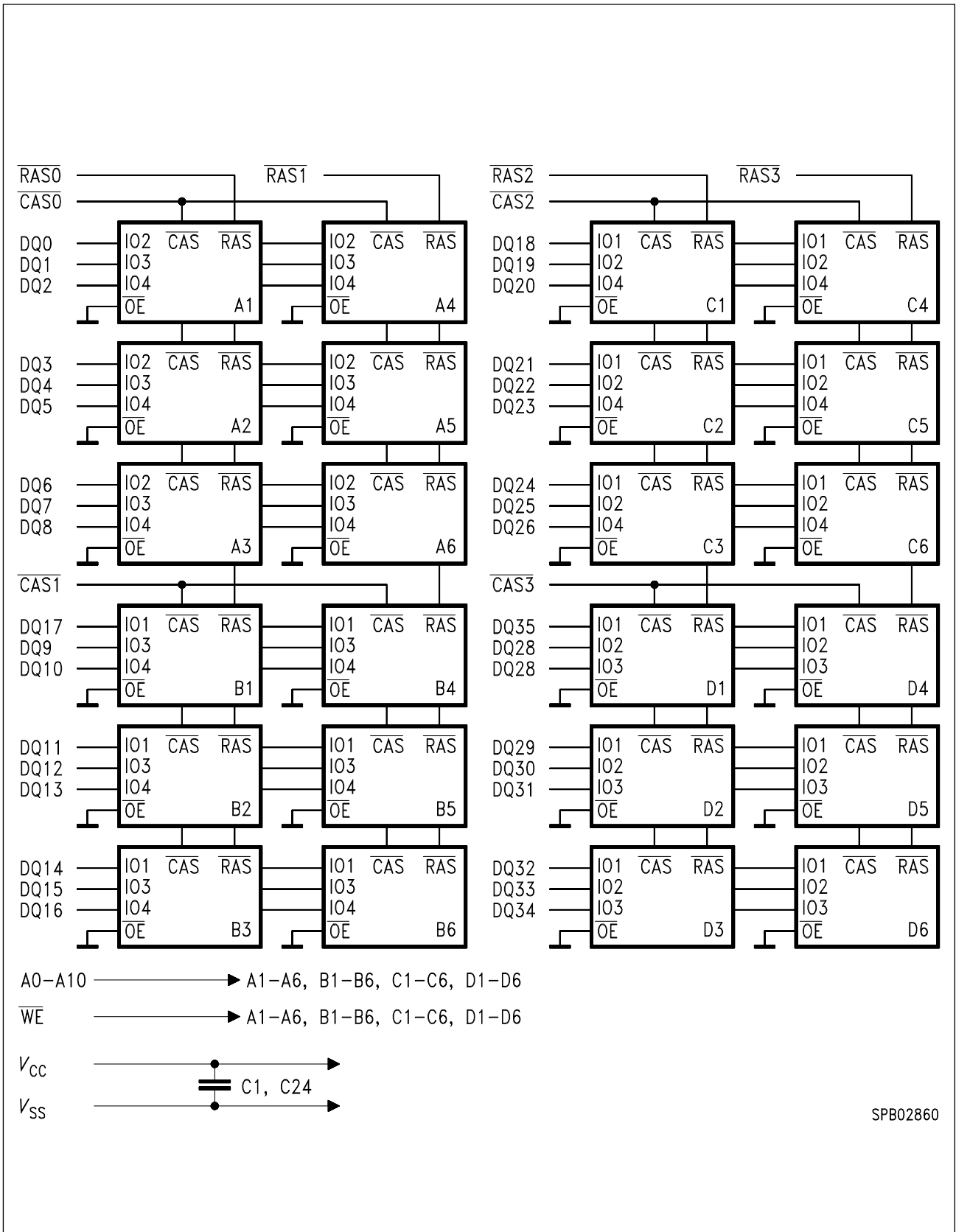
SPP02897

Pin Names

A0-A10	Address Inputs for HYM 368035S/GS
DQ0-DQ35	Data Input/Output
CAS0 - CAS3	Column Address Strobe
RAS0 - RAS3	Row Address Strobe
WE	Read/Write Input
V _{CC}	Power (+ 5 V)
V _{SS}	Ground
PD	Presence Detect Pin
N.C.	No Connection

Presence Detect Pins

	-60
PD0	N.C.
PD1	V _{SS}
PD2	N.C.
PD3	N.C.



SPB02860

Block Diagram

Absolute Maximum Ratings

Operation temperature range	0 to + 70 °C
Storage temperature range.....	– 55 to 125 °C
Input/output voltage	– 0.5 V to min ($V_{CC} + 0.5, 7.0$) V
Power supply voltage.....	– 1 to + 7 V
Power dissipation.....	9.24 W
Data out current (short circuit)	50 mA

Note: Stresses above those listed under "Absolute Maximum Ratings" may cause permanent damage of the device. Exposure to absolute maximum rating conditions for extended periods may affect device reliability.

DC Characteristics

$T_A = 0$ to 70 °C, $V_{CC} = 5$ V \pm 10 %

Parameter	Symbol	Limit Values		Unit	Test Condition
		min.	max.		
Input high voltage	V_{IH}	2.4	$V_{CC} + 0.5$	V	¹⁾
Input low voltage	V_{IL}	– 0.5	0.8	V	¹⁾
Output high voltage ($I_{OUT} = -5$ mA)	V_{OH}	2.4	–	V	¹⁾
Output low voltage ($I_{OUT} = 4.2$ mA)	V_{OL}	–	0.4	V	¹⁾
Input leakage current (0 V $<$ $V_{IN} <$ 6.5 V, all other pins = 0 V)	$I_{I(L)}$	– 80	80	μ A	¹⁾
Output leakage current (DO is disabled, 0 V $<$ $V_{OUT} <$ 5.5 V)	$I_{O(L)}$	– 10	10	μ A	¹⁾
Average V_{CC} supply current (\overline{RAS} , \overline{CAS} , address cycling, $t_{RC} = t_{RC}$ min) -60 ns version	I_{CC1}	–	1320	mA	^{2),3),4)}
Standby V_{CC} supply current ($\overline{RAS} = \overline{CAS} = V_{IH}$)	I_{CC2}	–	48	mA	
Average V_{CC} supply current during \overline{RAS} only refresh cycles (\overline{RAS} cycling, $\overline{CAS} = V_{IH}$, $t_{RC} = t_{RC}$ min) -60 ns version	I_{CC3}	–	1320	mA	^{2),4)}

DC Characteristics¹⁾ (cont'd)

Parameter	Symbol	Limit Values		Unit	Test Condition
		min.	max.		
Average V_{CC} supply current during hyper page mode (EDO) (RAS = V_{IL} , CAS, address cycling, $t_{HPC} = t_{HPC \text{ min}}$) -60 ns version	I_{CC4}	–	660	mA	2),3),4)
Standby V_{CC} supply current (RAS = CAS = $V_{CC} - 0.2 \text{ V}$)	I_{CC5}	–	24	mA	1)
Average V_{CC} supply current during CAS-before-RAS refresh mode (RAS, CAS cycling, $t_{RC} = t_{RC \text{ min}}$) -60 ns version	I_{CC6}	–	1320	mA	2),4)

Capacitance

$T_A = 0 \text{ to } 70 \text{ }^\circ\text{C}$, $V_{CC} = 5 \text{ V} \pm 10 \%$, $f = 1 \text{ MHz}$

Parameter	Symbol	Limit Values		Unit
		min.	max.	
Input capacitance (A0 to A10, \overline{WE})	C_{I1}	–	180	pF
Input capacitance ($\overline{RAS0}$ - $\overline{RAS3}$)	C_{I2}	–	50	pF
Input capacitance ($\overline{CAS0}$ - $\overline{CAS3}$)	C_{I3}	–	40	pF
I/O capacitance (DQ0-DQ35)	C_{IO1}	–	25	pF

AC Characteristics ⁵⁾⁶⁾

$T_A = 0$ to 70 °C, $V_{CC} = 5$ V \pm 10 %, $t_T = 2$ ns

Parameter	Symbol	Limit Values		Unit	Note
		-60			
		min.	max.		

Common Parameters

Random read or write cycle time	t_{RC}	104	–	ns	
\overline{RAS} precharge time	t_{RP}	40	–	ns	
\overline{RAS} pulse width	t_{RAS}	60	10k	ns	
CAS pulse width	t_{CAS}	10	10k	ns	
Row address setup time	t_{ASR}	0	–	ns	
Row address hold time	t_{RAH}	10	–	ns	
Column address setup time	t_{ASC}	0	–	ns	
Column address hold time	t_{CAH}	10	–	ns	
\overline{RAS} to \overline{CAS} delay time	t_{RCD}	14	45	ns	
\overline{RAS} to column address delay time	t_{RAD}	12	30	ns	
RAS hold time	t_{RSH}	15	–	ns	
CAS hold time	t_{CSH}	60	–	ns	
CAS to \overline{RAS} precharge time	t_{CRP}	5	–	ns	
Transition time (rise and fall)	t_T	1	50	ns	7
Refresh period	t_{REF}	–	32	ms	

Read Cycle

Access time from \overline{RAS}	t_{RAC}	–	60	ns	8, 9
Access time from \overline{CAS}	t_{CAC}	–	15	ns	8, 9
Access time from column address	t_{AA}	–	30	ns	8,10
Column address to \overline{RAS} lead time	t_{RAL}	30	–	ns	
Read command setup time	t_{RCS}	0	–	ns	
Read command hold time	t_{RCH}	0	–	ns	11
Read command hold time referenced to \overline{RAS}	t_{RRH}	0	–	ns	11
CAS to output in low-Z	t_{CLZ}	0	–	ns	8
Output buffer turn-off delay	t_{OFF}	0	15	ns	12

AC Characteristics (cont'd) ⁵⁾⁶⁾

$T_A = 0$ to 70 °C, $V_{CC} = 5$ V \pm 10 %, $t_T = 2$ ns

Parameter	Symbol	Limit Values		Unit	Note
		-60			
		min.	max.		

Early Write Cycle

Write command hold time	t_{WCH}	10	–	ns	
Write command pulse width	t_{WCP}	10	–	ns	
Write command setup time	t_{WCS}	0	–	ns	13
Write command to \overline{RAS} lead time	t_{RWL}	15	–	ns	
Write command to \overline{CAS} lead time	t_{CWL}	15	–	ns	
Data setup time	t_{DS}	0	–	ns	14
Data hold time	t_{DH}	10	–	ns	14

Hyper Page Mode (EDO) Cycle

Hyper page mode (EDO) cycle time	t_{HPC}	25	–	ns	
\overline{CAS} precharge time	t_{CP}	10	–	ns	
Access time from \overline{CAS} precharge	t_{CPA}	–	32	ns	7
Output data hold time	t_{COH}	5	–	ns	
\overline{RAS} pulse width in hyper page mode	t_{RAS}	60	200k	ns	
\overline{CAS} precharge to \overline{RAS} Delay	t_{RHCP}	32	–	ns	

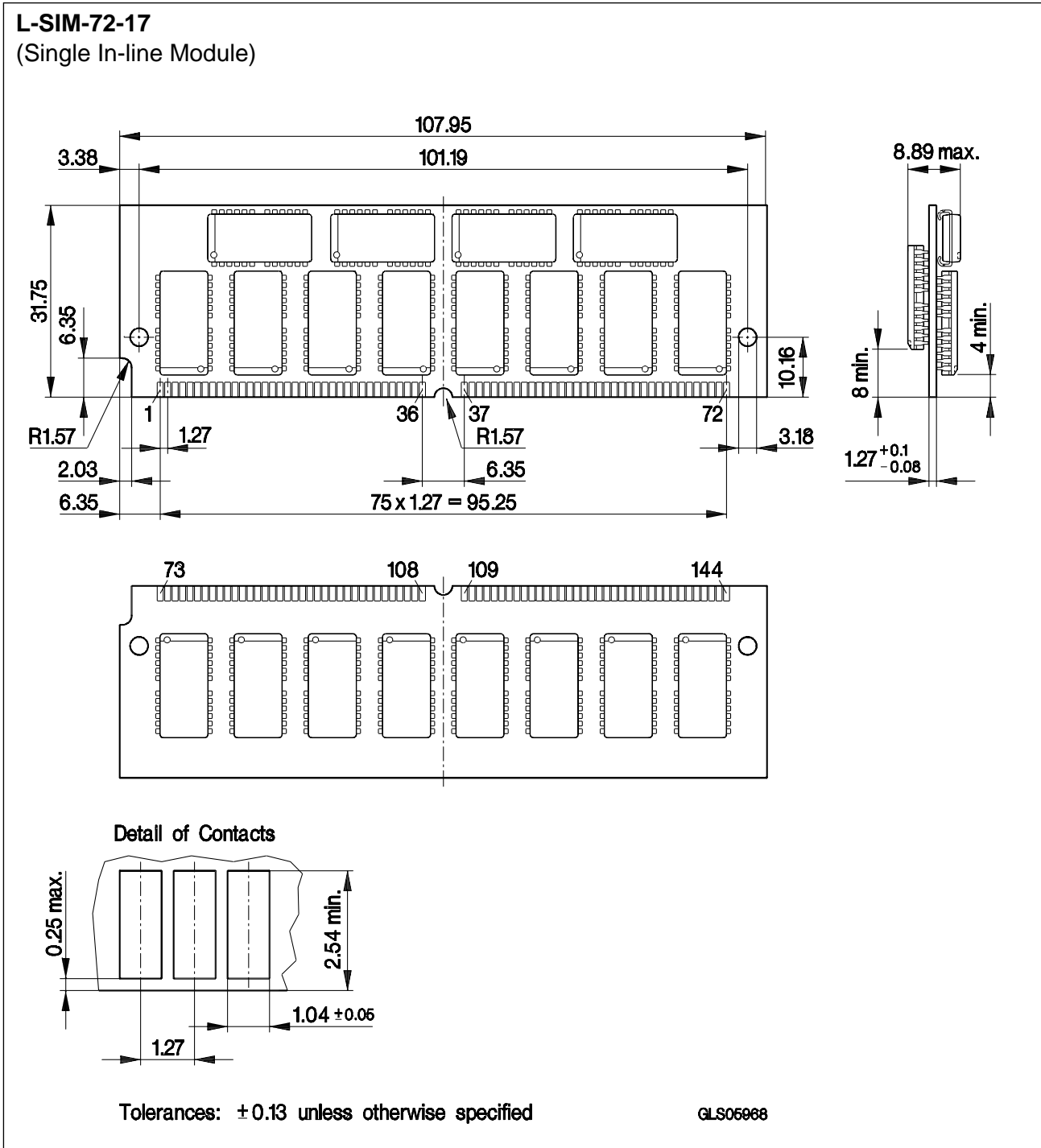
\overline{CAS} before \overline{RAS} Refresh Cycle

\overline{CAS} setup time	t_{CSR}	10	–	ns	
\overline{CAS} hold time	t_{CHR}	10	–	ns	
\overline{RAS} to \overline{CAS} precharge time	t_{RPC}	5	–	ns	
Write to \overline{RAS} precharge time	t_{WRP}	10	–	ns	
Write hold time referenced to \overline{RAS}	t_{WRH}	10	–	ns	

Notes:

- 1) All voltages are referenced to V_{SS} .
- 2) I_{CC1} , I_{CC3} , I_{CC4} and I_{CC6} depend on cycle rate.
- 3) I_{CC1} and I_{CC4} depend on output loading. Specified values are obtained with the output open.
- 4) Address can be changed once or less while $RAS = V_{IL}$. In case of I_{CC4} it can be changed once or less during a hyper page mode (EDO) cycle.
- 5) An initial pause of 200 μs is required after power-up followed by 8 \overline{RAS} cycles of which at least one cycle has to be a refresh cycle, before proper device operation is achieved. In case of using the internal refresh counter, a minimum of 8 \overline{CAS} -before- \overline{RAS} initialization cycles instead of 8 \overline{RAS} cycles are required.
- 6) AC measurements assume $t_T = 2$ ns.
- 7) $V_{IH (min.)}$ and $V_{IL (max.)}$ are reference levels for measuring timing of input signals. Transition times are also measured between V_{IH} and V_{IL} .
- 8) Measured with the specified current load and 100 pF at $V_{OL} = 0.8$ V and $V_{OH} = 2.0$ V. Access time is determined by the latter of t_{RAC} , t_{CAC} , t_{AA} , $t_{CPA} \cdot t_{CAC}$ is measured from tristate.
- 9) Operation within the $t_{RCD (max.)}$ limit ensures that $t_{RAC (max.)}$ can be met. $t_{RCD (max.)}$ is specified as a reference point only. If t_{RCD} is greater than the specified $t_{RCD (max.)}$ limit, then access time is controlled by t_{CAC} .
- 10) Operation within the $t_{RAD (max.)}$ limit ensures that $t_{RAC (max.)}$ can be met. $t_{RAD (max.)}$ is specified as a reference point only. If t_{RAD} is greater than the specified $t_{RAD (max.)}$ limit, then access time is controlled by t_{AA} .
- 11) Either t_{RCH} or t_{RRH} must be satisfied for a read cycle.
- 12) $t_{OFF (max.)}$ define the time at which the output achieves the open-circuit conditions and are not referenced to output voltage levels. t_{OFF} is referenced from the rising edge of RAS or CAS , whichever occurs last.
- 13) t_{WCS} is not a restrictive operating parameter. This is included in the data sheet as electrical characteristics only. If $t_{WCS} > t_{WCS (min.)}$, the cycle is an early write cycle and data out pin will remain open-circuit (high impedance) through the entire cycle.
- 14) These parameters are referenced to the \overline{CAS} leading edge.

Package Outlines



Sorts of Packing

Package outlines for tubes, trays etc. are contained in our Data Book "Package Information".

SMD = Surface Mounted Device

Dimensions in mm