



## 144 pin SO-DIMM SDRAM Modules

**HYS64V16200GDL**  
**HYS64V32220GDL**

### 128MB & 256 MB PC100 / PC133

- 144 Pin Eight Byte Small Outline Dual-In-Line Synchronous DRAM Modules for PC100 and PC133 notebook applications
- One bank 16M x 64 (128MByte) and two banks 32M x 64 (256 MByte) non-parity module organisation
- Performance:

		-7	-7.5	-8	
		PC133 2-2-2	PC133 3-3-3	PC100 2-2-2	Units
f <sub>CK</sub>	Clock frequency (max.)	133	133	100	MHz
t <sub>AC</sub>	Clock access time	5.4	5.4	6	ns

- Single +3.3V(± 0.3V ) power supply
- Programmable  $\overline{\text{CAS}}$  Latency, Burst Length and Wrap Sequence (Sequential & Interleave)
- Auto Refresh (CBR) and Self Refresh
- Decoupling capacitors mounted on substrate
- All inputs, outputs are LVTTTL compatible
- Serial Presence Detect with E<sup>2</sup>PROM
- 256Mbit SDRAM low power components in TSOP54 packages with 16M x 16 organisation
- 8192 refresh cycles every 64 ms
- Gold contact pad, JEDEC MO-190 outline dimensions
- This module family is fully compliant with the latest INTEL SO-DIMM layout and electrical specifications
- All PC133 modules are fully backward compatible to PC100-222 operation
- **Importante Notice:**  
 These SO-DIMM modules are based on 256Mbit SDRAM technology and can be used in applications only, where 256Mbit addressing is supported.

# HYS64V16200GDL/HYS64V32220GDL

## 144 pin SO-DIMM SDRAM Modules

This INFINEON modules are industry standard 144 pin 8-byte Synchronous DRAM (SDRAM) Small Outline Dual In-line Memory Modules (SO-DIMM) which are organised as x64 high speed memory arrays designed for use in non-parity applications. These SO-DIMMs use 256Mbit SDRAMs in TSOPII packages. Decoupling capacitors are mounted on the board.

The DIMMs use serial presence detects implemented via a serial E<sup>2</sup>PROM using the two pin I<sup>2</sup>C protocol. The first 128 bytes are utilized by the DIMM manufacturer and the second 128 bytes are available to the end user.

All INFINEON 144-pin SO-DIMMs provide a high performance, flexible 8-byte interface in a 67,6 mm long footprint.

### Product Spectrum:

		Speed	SDRAMs used	RowAddr.	Bank Select	Column Addr.	Refresh Period
16M x 64	HYS64V16200GDL-7	PC133-222	4 16Mx16	13	BA0, BA1	9	8k
	HYS64V16200GDL-7.5	PC133-333					
	HYS64V16200GDL-8	PC100-222					
32M x 64	HYS64V32220GDL-7	PC133-222	8 16Mx16				7,8 s
	HYS64V32220GDL-7.5	PC133-333					
	HYS64V32220GDL-8	PC100-222					

**Note:** All partnumbers end with a place code, designating the die revision. Example: HYS64V32220GDL-8-C2, indicating Rev.C2 dies are used for SDRAM components.

### Card Dimensions:

Organisation	PCB-Board	L x H x T [mm]
16M x 64	INTEL Rev. 1.0/1.2	67.60 x 25.40 x 3.80
32M x 64		67.60 x 31.75 x 3.80

### Pin Names

A0-A12	Address Inputs	DQMB0 -DQMB7	Data Mask
BA0,BA1	Bank Selects	$\overline{CS0}, \overline{CS1}^*)$	Chip Select
DQ0 - DQ63	Data Input/Output	Vcc	Power (+3.3 Volt)
$\overline{RAS}$	Row Address Strobe	Vss	Ground
$\overline{CAS}$	Column Address Strobe	SCL	Clock for Presence Detect
$\overline{WE}$	Read / Write Input	SDA	Serial Data Out for Presence Detect
CKE0, CKE1	Clock Enable	N.C.	No Connection
CLK0, CLK1 *)	Clock Input		

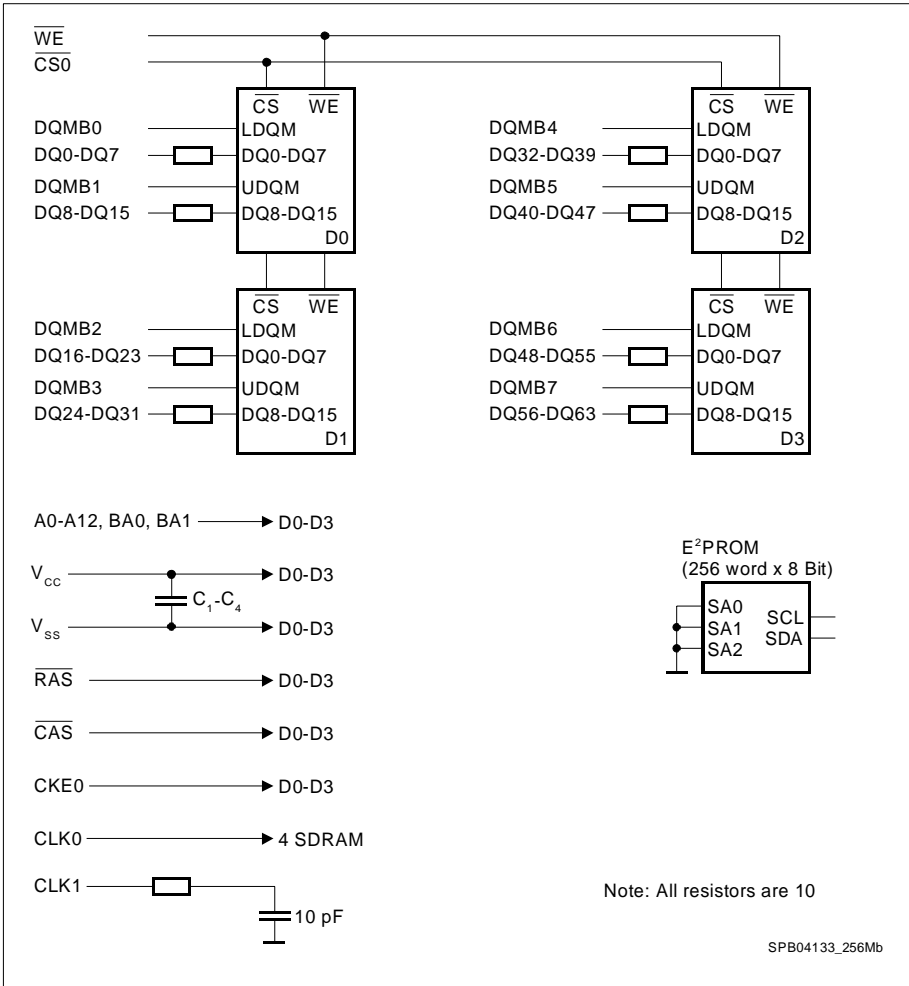
\*)  $\overline{CS1}$  and CKE1 on two bank modules only

## HYS64V16200GDL/HYS64V32220GDL 144 pin SO-DIMM SDRAM Modules

### Pin Configuration

PIN #	Front Side	PIN #	Back Side	PIN #	Front Side	PIN #	Back Side
1	VSS	2	VSS	73	NC	74	CLK1
3	DQ0	4	DQ32	75	Vss	76	Vss
5	DQ1	6	DQ33	77	NC	78	NC
7	DQ2	8	DQ34	79	NC	80	NC
9	DQ3	10	DQ35	81	Vcc	82	Vcc
11	VCC	12	Vcc	83	DQ16	84	DQ48
13	DQ4	14	DQ36	85	DQ17	86	DQ49
15	DQ5	16	DQ37	87	DQ18	88	DQ50
17	DQ6	18	DQ38	89	DQ19	90	DQ51
19	DQ7	20	DQ39	91	Vss	92	Vss
21	Vss	22	Vss	93	DQ20	94	DQ52
23	DQMB0	24	DQMB4	95	DQ21	96	DQ53
25	DQMB1	26	DQMB5	97	DQ22	98	DQ54
27	Vcc	28	Vcc	99	DQ23	100	DQ55
29	A0	30	A3	101	Vcc	102	Vcc
31	A1	32	A4	103	A6	104	A7
33	A2	34	A5	105	A8	106	BA0
35	Vss	36	Vss	107	Vss	108	Vss
37	DQ8	38	DQ40	109	A9	110	BA1
39	DQ9	40	DQ41	111	A10	112	A11
41	DQ10	42	DQ42	113	Vcc	114	Vcc
43	DQ11	44	DQ43	115	DQMB2	116	DQMB6
45	Vcc	46	Vcc	117	DQMB3	118	DQMB7
47	DQ12	48	DQ44	119	Vss	120	Vss
49	DQ13	50	DQ45	121	DQ24	122	DQ56
51	DQ14	52	DQ46	123	DQ25	124	DQ57
53	DQ15	54	DQ47	125	DQ26	126	DQ58
55	Vss	56	Vss	127	DQ27	128	DQ59
57	NC	58	NC	129	Vcc	130	Vcc
59	NC	60	NC	131	DQ28	132	DQ60
61	CLK0	62	CKE0	133	DQ29	134	DQ61
63	Vcc	64	Vcc	135	DQ30	136	DQ62
65	RAS	66	CAS	137	DQ31	138	DQ63
67	WE	68	CKE1	139	Vss	140	Vss
69	CS0	70	A12	141	SDA	142	SCL
71	CS1	72	N.C	143	Vcc	144	Vcc

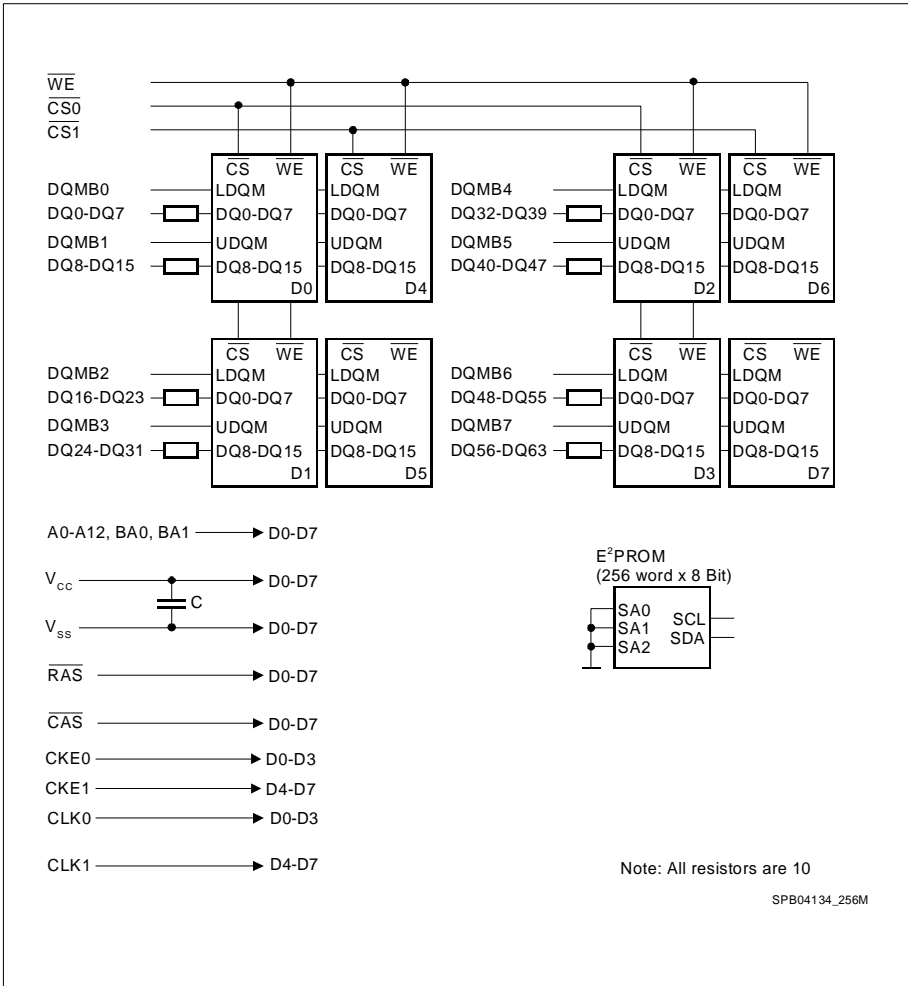
# HYS64V16200GDL/HYS64V32220GDL 144 pin SO-DIMM SDRAM Modules



**Block Diagram for one bank 16M x 64 (128MByte) SDRAM SO- DIMM - Module**

# HYS64V16200GDL/HYS64V32220GDL

## 144 pin SO-DIMM SDRAM Modules



**Block Diagram for two bank 32M x 64 (256MByte) SDRAM SO- DIMM - Module**

# HYS64V16200GDL/HYS64V32220GDL

## 144 pin SO-DIMM SDRAM Modules

### Absolute Maximum Ratings

Parameter	Symbol	Limit Values		Unit
		min.	max.	
Input / Output voltage relative to $V_{SS}$	$V_{IN}, V_{OUT}$	- 1.0	4.6	V
Power supply voltage on $V_{DD}$	$V_{DD}$	- 1.0	4.6	V
Storage temperature range	$T_{STG}$	-55	+150	°C
Power dissipation (per SDRAM component)	$P_D$	-	1	W
Data out current (short circuit)	$I_{OS}$	-	50	mA

Permanent device damage may occur if "Absolute Maximum Ratings" are exceeded.  
 Functional operation should be restricted to recommended operation conditions.  
 Exposure to higher than recommended voltage for extended periods of time affect device reliability

### DC Characteristics

$T_A = 0$  to  $70$  °C;  $V_{SS} = 0$  V;  $V_{DD} = 3.3$  V  $\pm$  0.3 V

Parameter	Symbol	Limit Values		Unit
		min.	max.	
Input high voltage	$V_{IH}$	2.0	$V_{CC}+0.3$	V
Input low voltage	$V_{IL}$	- 0.5	0.8	V
Output high voltage ( $I_{OUT} = - 4.0$ mA)	$V_{OH}$	2.4	-	V
Output low voltage ( $I_{OUT} = 4.0$ mA)	$V_{OL}$	-	0.4	V
Input leakage current, any input ( $0$ V < $V_{IN} < 3.6$ V, all other inputs = $0$ V)	$I_{I(L)}$	- 20	20	mA
Output leakage current (DQ is disabled, $0$ V < $V_{OUT} < V_{DD}$ )	$I_{O(L)}$	- 20	20	mA

### Capacitance

$T_A = 0$  to  $70$  °C;  $V_{DD} = 3.3$  V  $\pm$  0.3 V,  $f = 1$  MHz

Parameter	Symbol	Limit Values		Unit
		16M x 64 max.	32M x 64 max.	
Input capacitance (A0 to A11, BA0, BA1)	$C_{I1}$	28	52	pF
Input capacitance ( $\overline{RAS}$ , $\overline{CAS}$ , $\overline{WE}$ , $\overline{CKE0}$ )	$C_{I2}$	25	46	pF
Input Capacitance (CLK0, CLK1)	$C_{I3}$	35	35	pF
Input capacitance (CS0)	$C_{I4}$	25	30	pF
Input capacitance (DQMB0-DQMB7)	$C_{I5}$	10	15	pF
Input / Output capacitance (DQ0-DQ63)	$C_{IO}$	12	18	pF
Input Capacitance (SCL, SA0-2)	$C_{sc}$	8	8	pF
Input/Output Capacitance	$C_{sd}$	10	10	pF

# HYS64V16200GDL/HYS64V32220GDL

## 144 pin SO-DIMM SDRAM Modules

### Operating Currents per memory bank

(TA = 0 to 70 °C; V<sub>SS</sub> = 0 V; V<sub>DD</sub> = 3.3 V ± 0.3 V)

(Recommended Operating Conditions unless otherwise noted)

Parameter & Test Condition		Symb.	-7/-7.5	-8	Note	
<b>OPERATING CURRENT</b>						
trc=trcmin., All banks operated in random access, all banks operated in ping-pong manner		ICC1	920	680	mA	1, 2
<b>PRECHARGE STANDBY CURRENT in Power Down Mode</b> CS = VIH (min.), CKE<=Vil(max)		tck = min. ICC2P	8		mA	1
<b>PRECHARGE STANDBY CURRENT in Non-Power Down Mode</b> CS = VIH (min.), CKE>=Vih(min)		tck = min. ICC2N	160	120	mA	1
<b>NO OPERATING CURRENT</b>  tck = min., CS = VIH(min), active state ( max. 4 banks)		CKE>=VIH(min.) ICC3N	200	180	mA	1
		CKE<=VIL(max.) ICC3P	40		mA	1
<b>BURST OPERATING CURRENT</b> tck = min., Read command cycling		ICC4	600	400	mA	1,2
<b>AUTO REFRESH CURRENT</b> tck = min., Auto Refresh command cycling		ICC5	960	880	mA	1
<b>SELF REFRESH CURRENT</b> Self Refresh Mode, CKE=0.2V, tck = infinity.		ICC6	7.2		mA	1

**Notes:**

1. These parameters depend on the cycle rate. These values are measured at 133 MHz for -7 & -7.5 and at 100 MHz for -8 modules. Input signals are changed once during tck.
2. These parameters are measured with continuous data stream during read access and all DQ toggling. CL=3 and BL=4 is assumed and the data-out current is excluded.





## HYS64V16200GDL/HYS64V32220GDL 144 pin SO-DIMM SDRAM Modules

Parameter	Symbol	Limit Values						Unit
		-7 PC133-222		-7.5 PC133-333		-8 PC100-222		
		min.	max.	min.	max.	min.	max.	

### Refresh Cycle

Refresh Period (4096 cycles)	$t_{REF}$	–	64	–	64	–	64	ms	
Self Refresh Exit Time	$t_{SREX}$	1	–	1	–	1	–	CLK	6

### Read Cycle

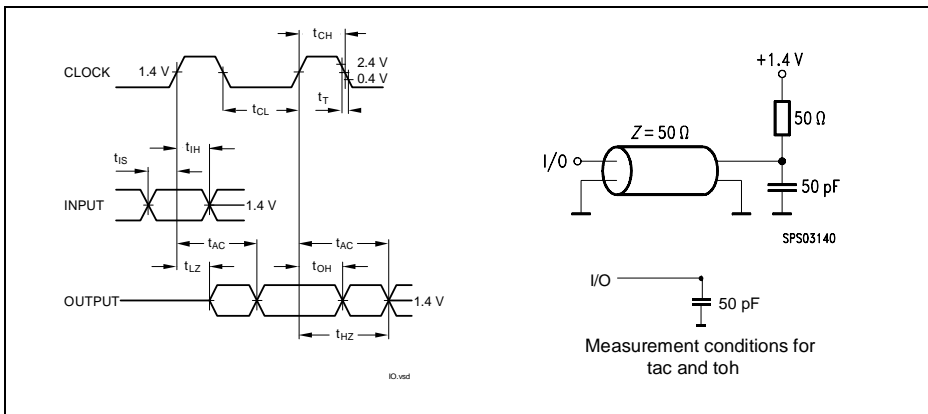
Data Out Hold Time	$t_{OH}$	3	–	3	–	3	–	ns	
Data Out to Low Impedance Time	$t_{LZ}$	0	–	0	–	0	–	ns	
Data Out to High Impedance Time	$t_{HZ}$	3	7	3	7	3	8	ns	7
DQM Data Out Disable Latency	$t_{DQZ}$	–	2	–	2	–	2	CLK	

### Write Cycle

Data Input to Precharge (write recovery)	$t_{WR}$	2	–	2	–	2	–	CLK	
DQM Write Mask Latency	$t_{DQW}$	0	–	0	–	0	–	CLK	

**Notes:**

- All AC characteristics shown are for SDRAM components.  
An initial pause of 100  $\mu$ s is required after power-up, then a Precharge All Banks command must be given followed by 8 Auto Refresh (CBR) cycles before the Mode Register Set Operation can begin.
- AC timing tests have  $V_{il} = 0.4$  V and  $V_{ih} = 2.4$  V with the timing referenced to the 1.4 V crossover point. The transition time is measured between  $V_{ih}$  and  $V_{il}$ . All AC measurements assume  $t_T = 1$  ns with the AC output load circuit shown. Specified  $t_{ac}$  and  $t_{oh}$  parameters are measured with a 50 pF only, without any resistive termination and with a input signal of 1V / ns edge rate between 0.8V and 2.0 V.



- If clock rising time is longer than 1ns, a time ( $t_T - 0.5$ ) ns has to be added to this parameter.
- If  $t_T$  is longer than 1ns, a time ( $t_T - 1$ ) ns has to be added to this parameter.
- Any time that the refresh Period has been exceeded, a minimum of two Auto (CRB) Refresh commands must be given to “wake-up” the device.
- Self Refresh Exit is a synchronous operation and begins on the 2nd positive clock edge after CKE returns high. Self Refresh Exit is not complete until a time period equal to  $t_{RC}$  is satisfied once the Self Refresh Exit command is registered.
- Referenced to the time which the output achieves the open circuit condition, not to output voltage levels.

**Serial Presence Detects:**

A serial presence detect storage device - E<sup>2</sup>PROM - is assembled onto the module. Information about the module configuration, speed, etc. is written into the E<sup>2</sup>PROM device during module production using a serial presence detect protocol ( I<sup>2</sup>C synchronous 2-wire bus)

## HYS64V16200GDL/HYS64V32220GDL 144 pin SO-DIMM SDRAM Modules

**SPD-Table HYS64V16200GDL:**

Byte#	Description	SPD Entry Value	Hex		
			16Mx64 -7	16Mx64 -7.5	16Mx64 -8
0	Number of SPD bytes	128	80		
1	Total bytes in Serial PD	256	08		
2	Memory Type	SDRAM	04		
3	Number of Row Addresses	13	0D		
4	Number of Column Addresses	9	09		
5	Number of DIMM Banks	1	01		
6	Module Data Width	64	40		
7	Module Data Width (cont'd)	0	00		
8	Module Interface Levels	LVTTL	01		
9	SDRAM Cycle Time at CL=3	7.5 / 10.0 ns	75	75	A0
10	SDRAM Access time from Clock at CL=3	5.4 / 6.0 ns	54	54	60
11	Dimm Config (Error Det/Corr.)	none	00		
12	Refresh Rate/Type	Self-Refresh, 7.8 s	82		
13	SDRAM width, Primary	x16	10		
14	Error Checking SDRAM data width	n/a	00		
15	Minimum clock delay for back-to-back random column address	$t_{cod} = 1 \text{ CLK}$	01		
16	Burst Length supported	1, 2, 4 & 8	0F		
17	Number of SDRAM banks	2	04		
18	Supported CAS Latencies	2, & 3	06		
19	CS Latencies	CS latency = 0	01		
20	WE Latencies	Write latency = 0	01		
21	SDRAM DIMM module attributes	unbuffered	00		
22	SDRAM Device Attributes :General	V <sub>cc</sub> tol +/- 10%	0E		
23	SDRAM Cycle Time at CL = 2	7.5 / 10 ns	75	A0	
24	SDRAM Access Time from Clock at CL=2	5.4 / 6.0 ns	54	60	
25	SDRAM Cycle Time at CL = 1	not supported	00	FF	
26	SDRAM Access Time from Clock at CL=1	not supported	00	FF	
27	Minimum Row Precharge Time	20 ns	0F	14	
28	Minimum Row Active to Row Active delay	15 / 16 ns	0E	0F	10
29	Minimum RAS to CAS delay	20 ns	0F	14	
30	Minimum Ras pulse width	42 / 45 / 60 ns	2A	2D	32
31	Module Bank Density (per bank)	128MB	20		
32	SDRAM input setup time	1.5 / 2 ns	15	15	20
33	SDRAM input hold time	0.8 / 1 ns	08	08	10
34	SDRAM data input setup time	1.5 / 2 ns	15	15	20
35	SDRAM data input hold time	0.8 / 1 ns	08	08	10
36-61	Superset information		00	FF	
62	SPD Revision	Revision 1.2	12		
63	Checksum for bytes 0 - 62		F4	39	9C
64-125	Manufactures's information				
126	Frequency Specification		64		
127	Details		87		
128+	Unused storage locations		FF		

## HYS64V16200GDL/HYS64V32220GDL 144 pin SO-DIMM SDRAM Modules

**SPD-Table HYS64V32220GDL:**

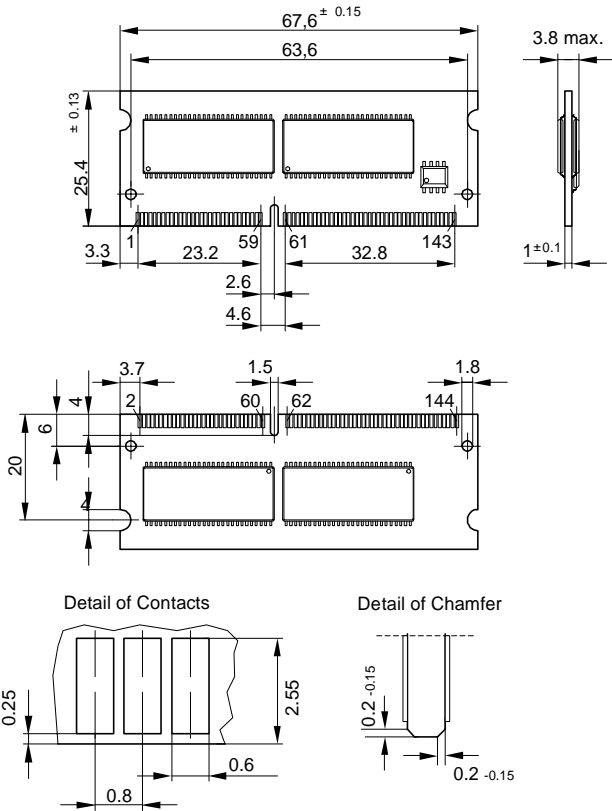
Byte#	Description	SPD Entry Value	Hex		
			32Mx64 -7	32Mx64 -7.5	32Mx64 -8
0	Number of SPD bytes	128	80		
1	Total bytes in Serial PD	256	08		
2	Memory Type	SDRAM	04		
3	Number of Row Addresses	13	0D		
4	Number of Column Addresses	9	09		
5	Number of DIMM Banks	2	02		
6	Module Data Width	64	40		
7	Module Data Width (cont'd)	0	00		
8	Module Interface Levels	LVTTL	01		
9	SDRAM Cycle Time at CL=3	7.5 / 10.0 ns	75	75	A0
10	SDRAM Access time from Clock at CL=3	5.4 / 6.0 ns	54	54	60
11	Dimm Config (Error Det/Corr.)	none	00		
12	Refresh Rate/Type	Self-Refresh, 7.8 s	82		
13	SDRAM width, Primary	x16	10		
14	Error Checking SDRAM data width	n/a	00		
15	Minimum clock delay for back-to-back random column address	$t_{cod} = 1 \text{ CLK}$	01		
16	Burst Length supported	1, 2, 4 & 8	0F		
17	Number of SDRAM banks	2	04		
18	Supported CAS Latencies	2, & 3	06		
19	CS Latencies	CS latency = 0	01		
20	WE Latencies	Write latency = 0	01		
21	SDRAM DIMM module attributes	unbuffered	00		
22	SDRAM Device Attributes :General	V <sub>cc</sub> tol +/- 10%	0E		
23	SDRAM Cycle Time at CL = 2	7.5 / 10 ns	75	A0	
24	SDRAM Access Time from Clock at CL=2	5.4 / 6.0 ns	54	60	
25	SDRAM Cycle Time at CL = 1	not supported	00	FF	
26	SDRAM Access Time from Clock at CL=1	not supported	00	FF	
27	Minimum Row Precharge Time	20 ns	0F	14	
28	Minimum Row Active to Row Active delay	15 / 16 ns	0E	0F	10
29	Minimum RAS to CAS delay	20 ns	0F	14	
30	Minimum Ras pulse width	42 / 45 / 60 ns	2A	2D	32
31	Module Bank Density (per bank)	128MB	20		
32	SDRAM input setup time	1.5 / 2 ns	15	15	20
33	SDRAM input hold time	0.8 / 1 ns	08	08	10
34	SDRAM data input setup time	1.5 / 2 ns	15	15	20
35	SDRAM data input hold time	0.8 / 1 ns	08	08	10
36-61	Superset information		00	FF	
62	SPD Revision	Revision 1.2	12		
63	Checksum for bytes 0 - 62		F5	1E	81
64-125	Manufactures's information				
126	Frequency Specification		64		
127	Details		C7		
128+	Unused storage locations		FF		

# HYS64V16200GDL/HYS64V32220GDL

## 144 pin SO-DIMM SDRAM Modules

### Package Outlines

**128 MByte SO-DIMM Module package (JEDEC MO-190)**  
**(144 pin, dual read-out, single in-line memory module)**



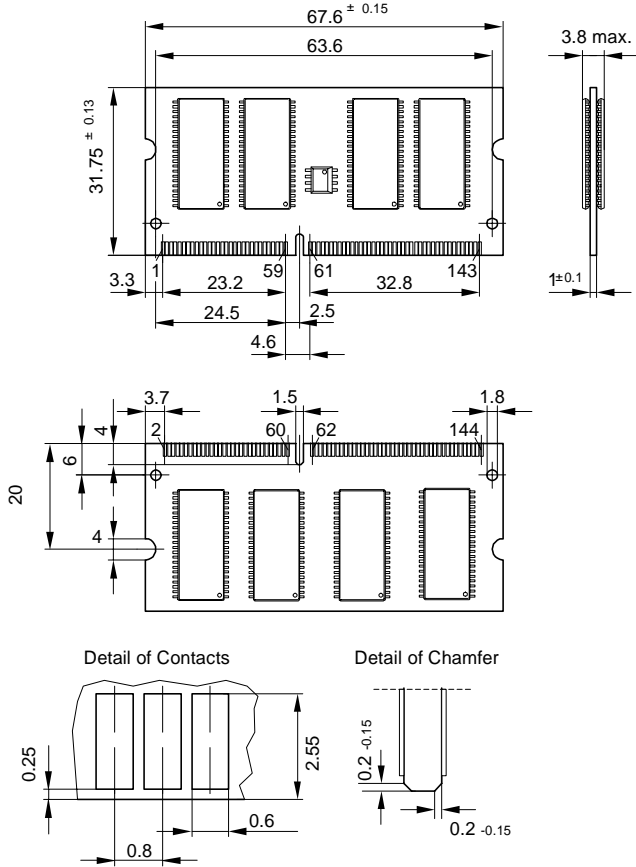
L-DIM-144-10

note: all tolerances are in accordance with the JEDEC standard

# HYS64V16200GDL/HYS64V32220GDL

## 144 pin SO-DIMM SDRAM Modules

256 MByte SO-DIMM Module package (JEDEC MO-190)  
 (144 pin, dual read-out, single in-line memory module)



L-DIM-144-9

note: all tolerances are in accordance with the JEDEC standard

## HYS64V16200GDL/HYS64V32220GDL 144 pin SO-DIMM SDRAM Modules

---

### Change List

6.99	First and preliminary version, -8A only
19.1.2000	-7.5 and -8 speed sorts added
19.7.2000	CKE1 added to the block diagram
24.7.2000	GDL versions added for 256Mbit S17-C2 with 1.5mA ICC6 per component
25.7.2000	-8A speed sort removed backward compatibility for "C2" base modules clarified
5.9.2000	ICC6 changed from 6mA to 6.8 mA per memory bank after the component datasheet for 256M S17 changed from 1.5 to 1.7 mA ICC2PS changed from 16 to 8 mA
24.11.2000	ICC6 changed from 6.8 to 7.2 mA (Request from Axel Hahn and Uwe Fritsch) Component datasheet unchanged at ICC6=1.7mA Preliminary Capacitance Values added
15.12.2000	All reference to older versions based on 256M S20 removed
5.3.2001	ICC currents, where wrong and have been corrected according to the latest 256M S17 datasheet
9.07.2001	HYS64V16200GL-7/-7.5 and -8 added HYS64V1632220GDL-7 added
6.09.2001	SCR : Absolute Maximum Ratings Table added

