

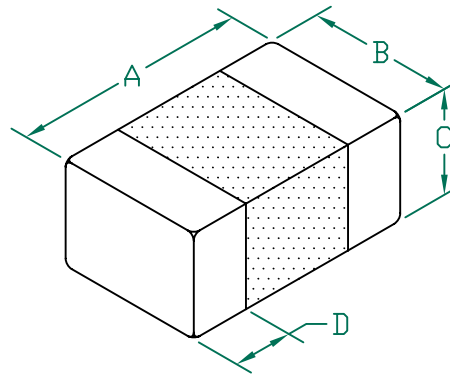
HZ0805E601R-10



UNCONTROLLED DOCUMENT

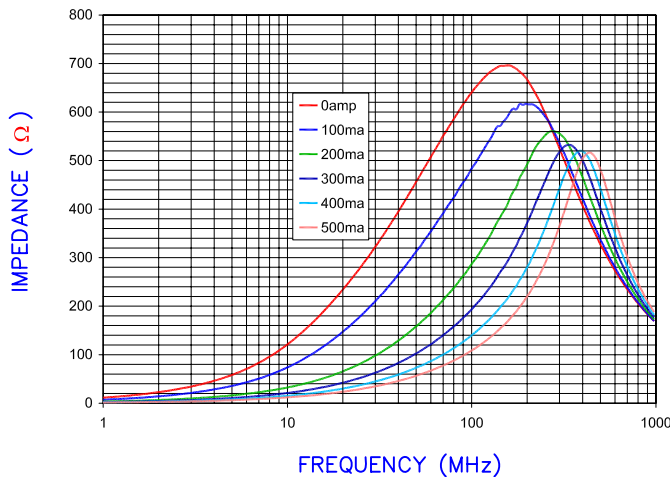
PHYSICAL DIMENSIONS:

A	2.00 [.079]	+ 0.20 [.008]
B	1.25 [.049]	+ 0.20 [.008]
C	0.90 [.035]	+ 0.20 [.008]
D	0.51 [.020]	+ 0.25 [.010]

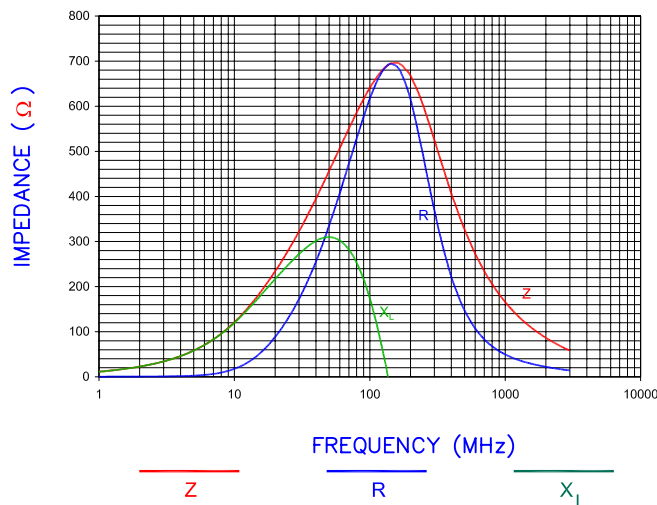


ELECTRICAL CHARACTERISTICS:		
Z @ 100MHz (Ω)	DCR (Ω)	Rated Current
Nominal	600	
Minimum	450	
Maximum	750	500 mA

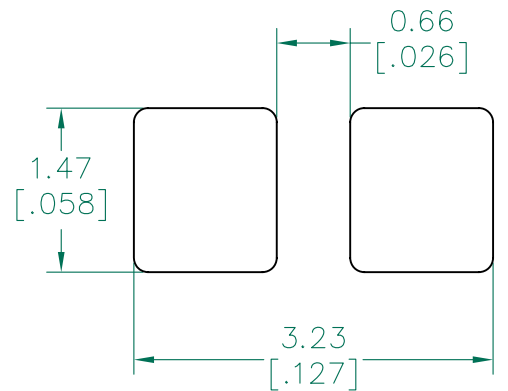
Z vs FREQUENCY
IMPEDANCE UNDER DC BIAS



[Z], R, AND X vs. FREQUENCY

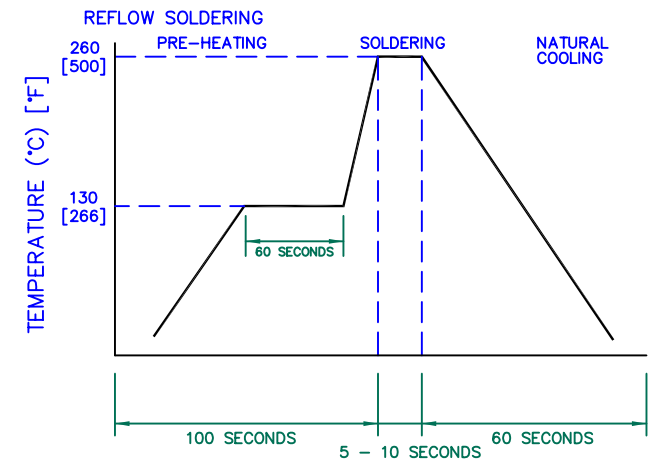


LAND PATTERNS FOR REFLOW SOLDERING



(For wave soldering, add 0.763 [.030] to this dimension.)

RECOMMENDED SOLDERING CONDITIONS



DIMENSIONS ARE IN mm [INCHES].				This print is the property of Laird Tech. and is loaned in confidence subject to return upon request and with the understanding that no copies shall be made without the written consent of Laird Tech. All rights to design or invention are reserved.			Laird TECHNOLOGIES	
D	CHANGE SOLDERING TEMPERATURE	08/23/10	JUN	PROJECT/PART NUMBER:	REV	PART TYPE:	DRAWN BY:	
C	CHANGE TO PAPER TAPE	03/03/10	JUN	HZ0805E601R-10	D	CO-FIRE	JRK	
B	UPDATE COMPANY LOGO ADD ROHS	03/21/08	JRK	DATE:	SCALE:	NTS	SHEET:	
A	ORIGINAL DRAFT	03/01/04	JRK	03/01/04				
REV	DESCRIPTION	DATE	INT	CAD #	TOOL #		2 of 2	
				HZ0805E601R-10-D				