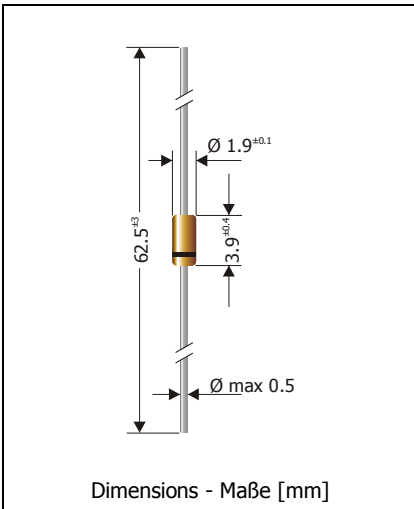


HZ2A1 ... HZ36-3 (500 mW)
Silicon Planar Zener Diodes
Silizium-Planar-Zener-Dioden

Version 2012-11-19



Maximum power dissipation Maximale Verlustleistung	500 mW
Nominal Z-voltage Nominale Z-Spannung	1.6...38 V
Glass case Glasgehäuse	~ DO-35 ~ (SOD-27)
Weight approx. Gewicht ca.	0.13 g

Standard packaging taped in ammo pack
 Standard Lieferform gegurtet in Ammo-Pack



All of these special type zener diodes are available only on request.

Alle Typen dieser speziellen Zenerdioden sind nur auf Anfrage erhältlich.

Maximum ratings and Characteristics

Grenz- und Kennwerte

		ZPD-series	
Power dissipation Verlustleistung	$T_A = 25^\circ\text{C}$	P_{tot}	500 mW ¹⁾
Operating junction temperature – Sperrschichttemperatur Storage temperature – Lagerungstemperatur		T_j T_s	-50...+175°C -50...+175°C
Thermal resistance junction to ambient air Wärmewiderstand Sperrschicht – umgebende Luft		R_{thA}	< 300 K/W ¹⁾
Thermal resistance junction to lead Wärmewiderstand Sperrschicht – Anschlussdraht		R_{thL}	< 240 K/W

Zener voltages see table on next page – Zener-Spannungen siehe Tabelle auf der nächsten Seite

1 Valid, if leads are kept at ambient temperature at a distance of 10 mm from case
 Gültig, wenn die Anschlussdrähte in 10 mm Abstand vom Gehäuse auf Umgebungstemperatur gehalten werden
 2 Tested with pulses – Gemessen mit Impulsen

Maximum ratings

Type Typ	Zener voltage Zener-Spannung $I_z = 5 \text{ mA}$		Dynamic resistance Differenzieller Widerstand $r_{zj} [\Omega]$ at $f = 1 \text{ kHz}$	Reverse voltage Sperrspannung $I_R = 1 \mu\text{A}$
	$V_{zmin} [\text{V}]$	$V_{zmax} [\text{V}]$	$I_z = 5 \text{ mA}$	$V_R [\text{V}]$
HZ2A1	1.6	1.8	<100	>0.5 (25 μA)
HZ2A2	1.7	1.9		
HZ2A3	1.8	2.0		
HZ2B1	1.9	2.1	<100	>0.5 (5 μA)
HZ2B2	2.0	2.2		
HZ2B3	2.1	2.3		
HZ2C1	2.2	2.4		
HZ2C2	2.3	2.5		
HZ2C3	2.4	2.6		
HZ3A1	2.5	2.7		
HZ3A2	2.6	2.8		
HZ3A3	2.7	2.9		
HZ3B1	2.8	3.0		
HZ3B2	2.9	3.1		
HZ3B3	3.0	3.2		
HZ3C1	3.1	3.3		
HZ3C2	3.2	3.4		
HZ3C3	3.3	3.5		
HZ4A1	3.4	3.6	<100	>1 (5 μA)
HZ4A2	3.5	3.7		
HZ4A3	3.6	3.8		
HZ4B1	3.7	3.9		
HZ4B2	3.8	4.0		
HZ4B3	3.9	4.1		
HZ4C1	4.0	4.2		
HZ4C2	4.1	4.3		
HZ4C3	4.2	4.4		
HZ5A1	4.3	4.5	<100	>1.5 (5 μA)
HZ5A2	4.4	4.6		
HZ5A3	4.5	4.7		
HZ5B1	4.6	4.8		
HZ5B2	4.7	4.9		
HZ5B3	4.8	5.0		
HZ5C1	4.9	5.1		
HZ5C2	5.0	5.2		
HZ5C3	5.1	5.3		
HZ6A1	5.2	5.5	<40	>2 (5 μA)
HZ6A2	5.3	5.6		
HZ6A3	5.4	5.7		
HZ6B1	5.5	5.8		
HZ6B2	5.6	5.9		

Maximum ratings

Type Typ	Zener voltage Zener-Spannung $I_z = 5 \text{ mA}$		Dynamic resistance Diff. Widerstand $r_{zj} [\Omega]$ at $f = 1 \text{ kHz}$	Reverse volt. Sperrspanng. $I_R = 1 \mu\text{A}$
	$V_{zmin} [\text{V}]$	$V_{zmax} [\text{V}]$	$I_z = 5 \text{ mA}$	$V_R [\text{V}]$
HZ6B3	5.7	6.0	<40	>2 (5 μA)
HZ6C1	5.8	6.1		
HZ6C2	6.0	6.3		
HZ6C3	6.1	6.4		
HZ7A1	6.3	6.6	<15	>3.5
HZ7A2	6.4	6.7		
HZ7A3	6.6	6.9		
HZ7B1	6.7	7.0		
HZ7B2	6.9	7.2		
HZ7B3	7.0	7.3		
HZ7C1	7.2	7.6		
HZ7C2	7.3	7.7		
HZ7C3	7.5	7.9		
HZ9A1	7.7	8.1		
HZ9A2	7.9	8.3		
HZ9A3	8.1	8.5		
HZ9B1	8.3	8.7		
HZ9B2	8.5	8.9		
HZ9B3	8.7	9.1		
HZ9C1	8.9	9.3		
HZ9C2	9.1	9.5		
HZ9C3	9.3	9.7		
HZ11A1	9.5	9.9	<25	>7.5
HZ11A2	9.7	10.1		
HZ11A3	9.9	10.3		
HZ11B1	10.2	10.6		
HZ11B2	10.4	10.8		
HZ11B3	10.7	11.1		
HZ11C1	10.9	11.3		
HZ11C2	11.1	11.6		
HZ11C3	11.4	11.9		
HZ12A1	11.6	12.1	<35	>9.5
HZ12A2	11.9	12.4		
HZ12A3	12.2	12.7		
HZ12B1	12.4	12.9		
HZ12B2	12.6	13.1		
HZ12B3	12.9	13.4		
HZ12C1	13.2	13.7		
HZ12C2	13.5	14.0		
HZ12C3	13.8	14.3		
HZ15-1	14.1	14.7	<40	>11

Maximum ratings

Type Typ	Zener voltage Zener-Spannung $I_z = 5 \text{ mA}$		Dynamic resistance Diff. Widerstand $r_{zj} [\Omega]$ at $f = 1 \text{ kHz}$	Reverse volt. Sperrspanng. $I_R = 1 \mu\text{A}$
	$V_{zmin} [\text{V}]$	$V_{zmax} [\text{V}]$	$I_z = 5 \text{ mA}$	$V_R [\text{V}]$
HZ15-2	14.5	15.1	<40	>11
HZ15-3	14.9	15.5		
HZ16-1	15.3	15.9	<45	>12
HZ16-2	15.7	16.5		
HZ16-3	16.3	17.1		
HZ18-1	16.9	17.7	<55	>13
HZ18-2	17.5	18.3		
HZ18-3	18.1	19.0		
HZ20-1	18.8	19.7	<60	>15
HZ20-2	19.5	20.4		
HZ20-3	20.2	21.1		
HZ22-1	20.9	21.9	<65	>17
HZ22-2	21.6	22.6		
HZ22-3	22.3	23.3		
HZ24-1	22.9	24.0	<70	>19
HZ24-2	23.6	24.7		
HZ24-3	24.3	25.5		
HZ27-1	25.2	26.6	<80	>21
HZ27-2	26.2	27.6		
HZ27-3	27.2	28.6		
HZ30-1	28.2	29.6	<100	>23
HZ30-2	29.2	30.6		
HZ30-3	30.2	31.6		
HZ33-1	31.2	32.6	<120	>25
HZ33-2	32.2	33.6		
HZ33-3	33.2	34.6		
HZ36-1	34.2	35.7	<140	>27
HZ36-2	35.2	36.8		
HZ36-3	36.4	38.0		