



8 TO 16 MINUTE VOICE RECORD/PLAYBACK SYSTEM WITH INTEGRATED CODEC

GENERAL DESCRIPTION

The ChipCorder I5216 is an 8 to 16 minute Voice and Data Record and Playback system with integrated Voice band CODEC. The device works on a single 2.7V to 3.3V supply, and has fully integrated system functions, including: AGC, microphone preamplifier, speaker driver, memory and CODEC. The CODEC meets the PCM conformance specification of the G.714 recommendation. Its μ -Law and A-law compander meets the specification of the ITU-T G.711 recommendation.

FEATURES

- Single Supply 2.7 to 3.3 Volt operation
- Voice and digital data record and playback system on a single chip
- Industry-leading sound quality
- Low voltage operation
- Message management
- Fully integrated system functions
- Flexible architecture
- Nonvolatile message storage
- Configurable ChipCorder sampling rates of 4 kHz, 5.3kHz, 6.4 kHz and 8kHz
- 8, 10, 12 and 16 minutes duration
- External or internal Voice recorder clock
- I²C serial interface (400kHz)
- Configurable analog paths
- 2.2V Microphone Bias Pin
- 100 year message retention (typical)
- 100K analog record cycles (typical)
- 10K digital record cycles (typical)
- Full-duplex (not in I²S mode) single channel speech CODEC with :
 - External 13.824 MHz, 27.648 MHz, 20.48 MHz or 40.96 MHz master clock
 - I²S and PCM digital audio interface ports
 - Serial transfer data rate from 64 to 3072 Kbps
 - Short and Long frame sync formats
 - 2s complement and signed magnitude data format
 - Complete μ -Law and A-Law companding
 - Linear 14 bit $\Delta\Sigma$ PCM CODEC-filter for A/D and D/A converter
 - 8 kHz or 44.1 kHz – 48 kHz digital audio sampling rate options
 - Analog receive and transmit gain adjust
 - Configurable setup through the I²C interface



TABLE OF CONTENTS

GENERAL DESCRIPTION	1
FEATURES	1
PIN LAYOUT & DESCRIPTIONS	4
I5216 BLOCK DIAGRAMS	6
FUNCTIONAL DESCRIPTION	8
SPEECH/SOUND QUALITY	8
DURATION	8
FLASH STORAGE	9
MICROCONTROLLER INTERFACE	9
PROGRAMMING	9
APPLICATIONS	9
INTERNAL REGISTERS	14
MEMORY ORGANIZATION	17
OPERATION MODES	17
I²C PORT	17
I²C SLAVE ADDRESS	18
I²C OPERATION DEFINITIONS	19
I²C CONTROL REGISTERS	21
COMMAND BYTE	21
FUNCTION BITS	21
REGISTER BITS	22
OPCODE SUMMARY	22
DATABYTES	24
POWER-UP SEQUENCE	25
SET MASTER CLOCK DIVISION RATIO	25
PLAYBACK MODE	26
RECORD MODE	26
FEED THROUGH MODE	26
CALL RECORD	30
MEMO RECORD	31
MEMO & CALL PLAYBACK	32
MESSAGE CUEING	34
ANALOG MODE	34



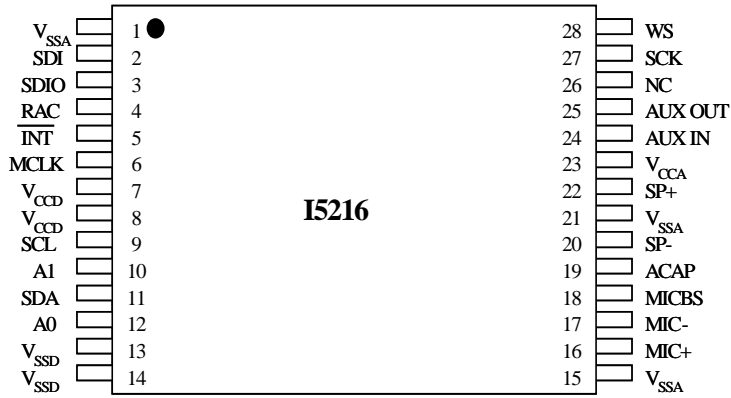
AUTO MUTE & AUTO GAIN FUNCTIONS	37
VOLUME CONTROL DESCRIPTION	38
SPEAKER & AUX OUT DESCRIPTION	39
MICROPHONE INPUTS	40
DIGITAL MODE	41
WRITING DATA	41
READING DATA	41
ERASING DATA	41
EXAMPLE COMMAND SEQUENCES	42
PIN DETAILS	45
DIGITAL I/O PINS	45
ANALOG I/O PINS	48
AUXILIARY OUTPUT	49
AUXILIARY INPUT	50
POWER & GROUND PINS	51
SAMPLE LAYOUT FOR PDIP	52
ELECTRICAL CHARACTERISTICS	53
ABSOLUTE MAXIMUM RATINGS FOR PACKAGED PARTS	53
ABSOLUTE MAXIMUM RATINGS FOR DIE	53
OPERATING CONDITIONS FOR PACKAGED PARTS	53
OPERATING CONDITIONS FOR DIE	54
GENERAL PARAMETERS	54
TIMING PARAMETERS	55
ANALOG PARAMETERS	57
I²C INTERFACE TIMING	60
CODEC PARAMETERS	61
TIMING DIAGRAMS	62
I²C SERIAL INTERFACE TECHNICAL INFORMATION	69
I²S SERIAL INTERFACE TECHNICAL INFORMATION	73
DEVICE PHYSICAL DIMENSIONS	77
DIE BONDING PHYSICAL LAYOUT	80
ORDERING INFORMATION	82

I5216 SERIES

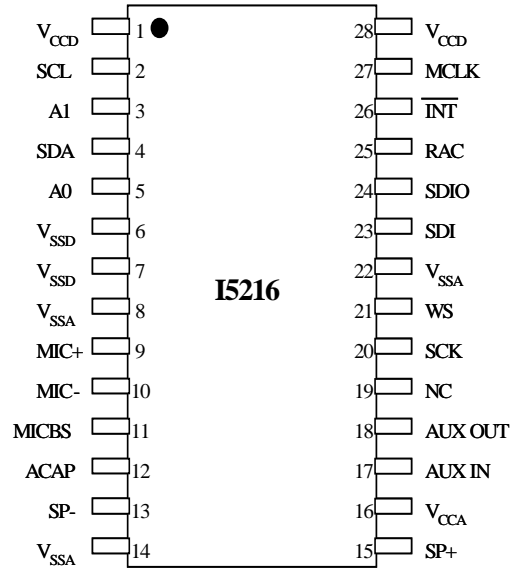
Advanced Information
PRELIMINARY



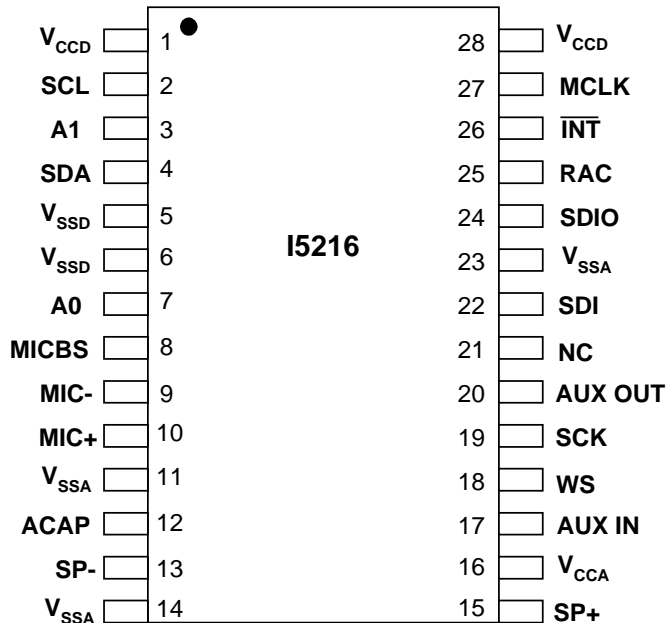
I5216 Pin Layout



28-PIN TSOP



PDIP



SOIC

I5216 SERIES

Advanced Information

PRELIMINARY



PIN DESCRIPTION

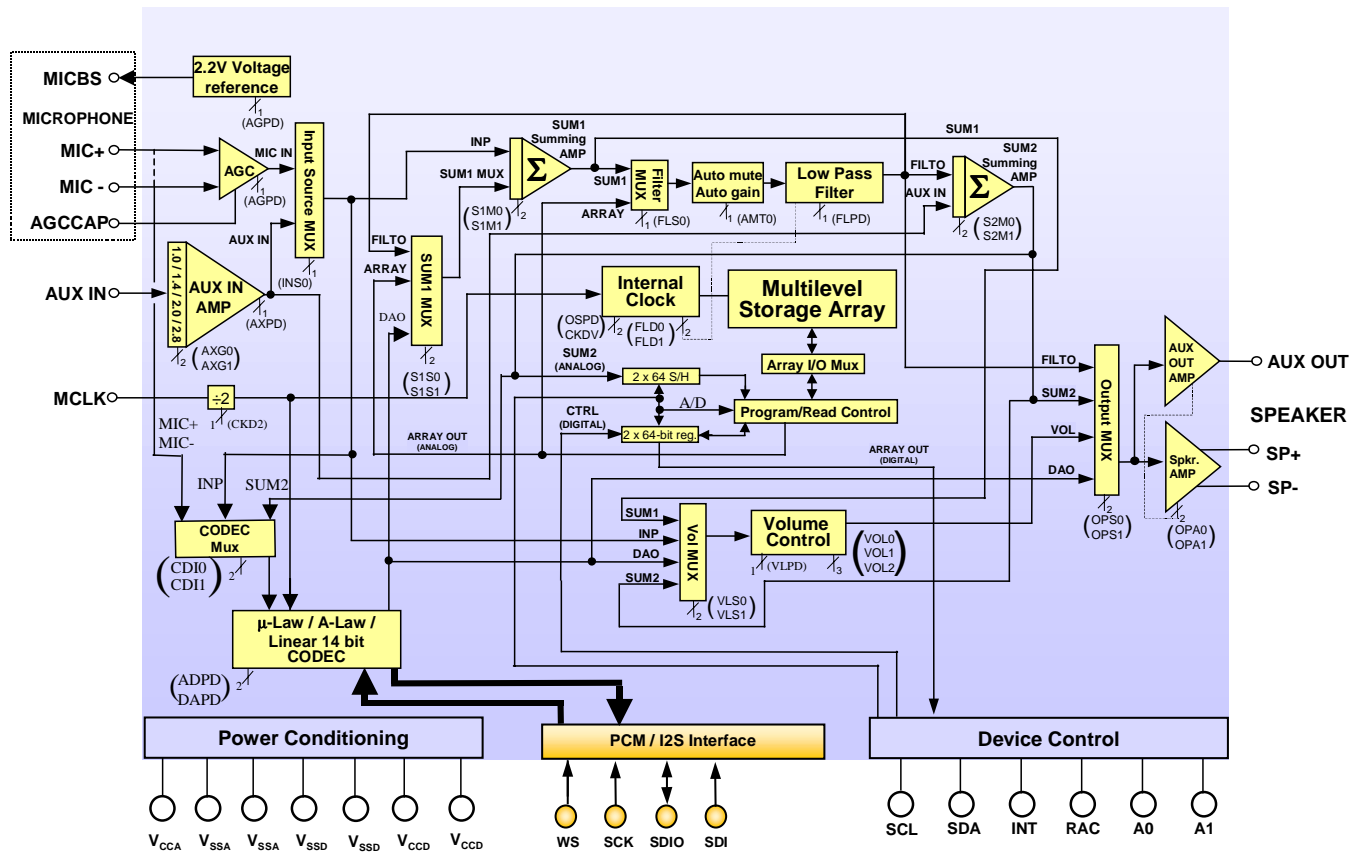
Pin Name	Pin No. 28-pin TSOP	Pin No. 28-pin PDIP	Pin No. 28-pin SOIC	Functionality
RAC	4	25	25	Row Address Clock; an open drain output. The RAC pin goes LOW T_{RACLO} ¹ before the end of each row of memory, and returns HIGH at exactly the end of each row of memory.
/INT	5	26	26	Interrupt Output; an open drain output indicating that a set EOM bit has been found during Playback, or that the chip is in an Overflow (OVF) condition. This pin remains LOW until a Read Status command is executed.
MCLK	6	27	27	This pin allows the internal clock of the Voice record/playback system to be externally driven for enhanced timing precision. This pin is grounded for most applications. It is required for the CODEC operation.
SCL	9	2	2	Serial Clock Line is part of the I ² C serial bus. It is used to clock the data into and out of the I ² C interface.
SDA	11	4	4	Serial Data Line is part of the I ² C serial bus. Data is passed between devices on the bus over this line.
A0	12	5	7	Input pin that supplies the LSB for the I ² C Slave Address.
A1	10	3	3	Input pin that supplies the LSB +1 bit for the I ² C Slave Address.
MIC+	16	9	10	Differential positive Input to the microphone amplifier.
MIC-	17	10	9	Differential negative Input to the microphone amplifier.
MICBS	18	11	8	Microphone Bias Voltage
ACAP	19	12	12	AGC Capacitor connection. Required for the on-chip AGC amplifier.
SP+	22	15	15	Differential Positive Speaker Driver Output.
SP-	20	13	13	Differential Negative Speaker Driver Output. When the speaker outputs are in use, the AUX OUT output is disabled.
AUX IN	24	17	17	Auxiliary Input. This is one of the gain adjustable analog inputs for the device.
AUX OUT	25	18	20	Auxiliary Output. This is one the analog outputs for the device. When this output is in use, the SP+ and SP- outputs are disabled.
SDI	2	23	22	Serial Digital Audio PCM Input.
SDIO	3	24	24	Serial Digital Audio PCM Output or I ² S Input/Output.
WS	28	21	18	Digital audio PCM Frame sync (FS) or I ² S Word Sync (WS).
SCK	27	20	19	Digital audio PCM or I ² S Serial Clock.
V _{CCD}	7,8	1,28	1,28	Positive Digital Supply pins. These pins carry noise generated by internal clocks in the chip. They must be carefully bypassed to Digital Ground to ensure correct device operation.
V _{SSD}	13,14	6,7	5,6	Digital Ground pins.
V _{SSA}	1,15,21	8,14,22	11,14,23	Analog Ground pins.
V _{CCA}	23	16	16	Positive Analog Supply pin. This pin supplies the low level audio sections for the device. It should be carefully bypassed to Analog Ground to ensure correct device operation.
NC	26	19	21	No Connection

¹ See parameters section of the datasheet.



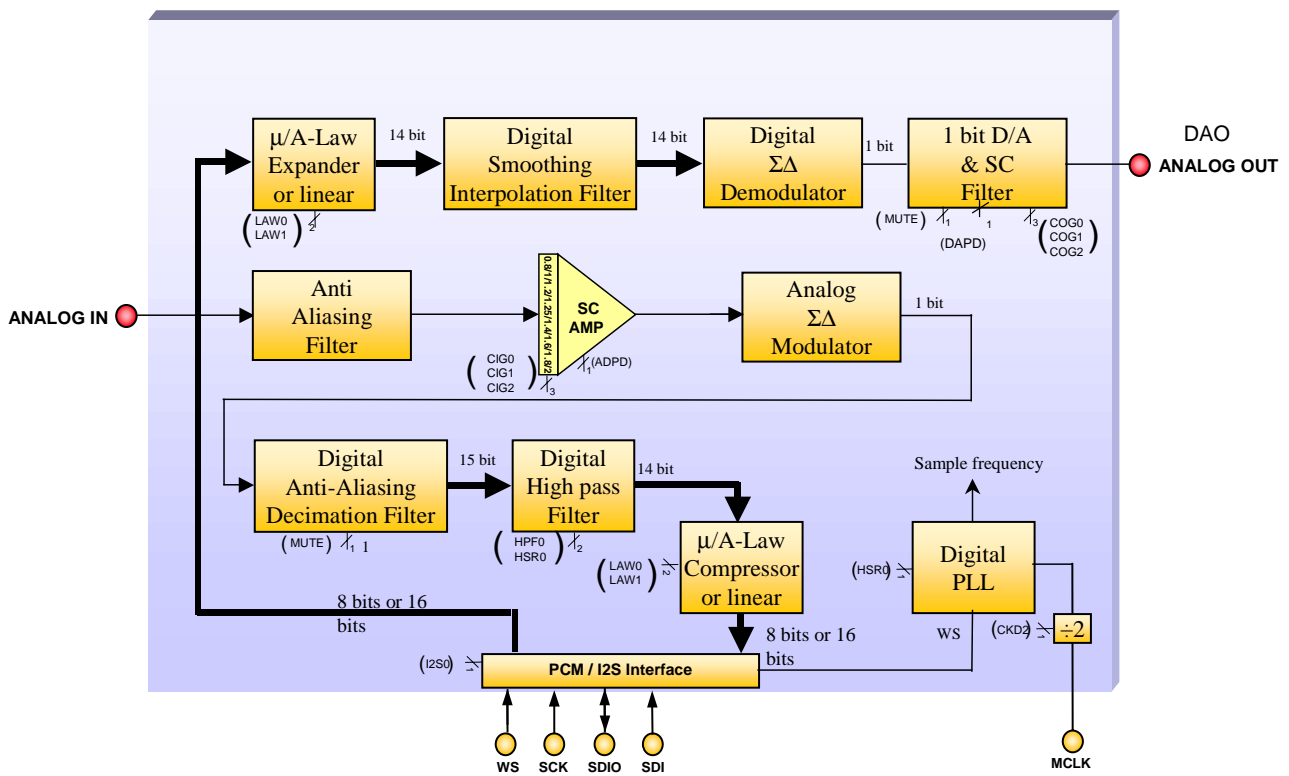
BLOCK DIAGRAMS

I5216 Block Diagram





I5216 CODEC DIAGRAM





FUNCTIONAL DESCRIPTION

The I5216 ChipCorder Product provides high quality, fully integrated, single-chip Record/Playback solutions for 8- to 16-minute messaging applications that are ideal for use in PBX systems, cellular phones, automotive communications, GPS/navigation systems, and other portable products. The I5216 product is an enhancement to the ISD5116 architecture, providing: 1) A full duplex Voice CODEC with μ -Law and A-Law compander, with I²S and PCM interface ports; 2) A 2.2V microphone bias supply for reduced noise coupling. This supply can also be used to power down the external microphone with the system.

Analog functions and audio gating have also been integrated into the I5216 product to allow for easy interfacing with integrated chip sets on the market. Audio paths have been designed to enable full duplex conversation record, voice memo and answering machine (including outgoing message playback).

Logic Interface Options of 2.0V and 3.0V are supported by the I5216 to accommodate both portable communication (2.0- and 3.0-volt required) and automotive product customers (5.0-volt required).

Like other ChipCorder products, the I5216 integrates the sampling clock, anti-aliasing and smoothing filters, and multi-level storage array on a single chip. For enhanced voice features, the I5216 eliminates external circuitry by integrating automatic gain control (AGC), a power amplifier/speaker driver, volume control, summing amplifiers, analog switches, and a Voice CODEC. Input level adjustable amplifiers are also included, providing a flexible interface for multiple applications.

Recordings are stored in on-chip nonvolatile memory cells, providing zero-power message storage. This unique, single-chip solution is made possible through Winbond's patented multilevel storage technology. Voice and audio signals are stored directly into solid-state memory in their natural, uncompressed form, providing superior quality voice and music reproduction.

SPEECH/SOUND QUALITY

The I5216 ChipCorder product can be configured, via software, to operate at 4.0, 5.3, 6.4, and 8.0 kHz sampling frequencies, allowing the user a choice of speech quality options. Increasing the duration decreases the sampling frequency and bandwidth, which affects sound quality. The "Input Sample Duration" table below compares filter pass band and product durations.

DURATION

To meet end-system requirements, the I5216 device is a single-chip solution, which provides 8 to 16 minutes of voice record and playback, depending on the sample rates defined by the customer's software.

INPUT SAMPLE RATE TO DURATION INPUT SAMPLE

Rate (kHz)	Duration ¹ (Minutes)	Typical Filter Pass Band (kHz)
8.0	8 min 3 sec	3.7
6.4	10 min 4 sec	2.9
5.3	12 min 9 sec	2.5
4.0	16 min 6 sec	1.8

1. Minus any pages selected for digital storage

I5216 SERIES

Advanced Information

PRELIMINARY



FLASH STORAGE

One of the benefits of Winbond's ChipCorder technology is the use of on-chip nonvolatile memory, which provides zero-power message storage. A message is retained for up to 100 years (typically) without power. In addition, the device can be re-recorded over 10,000 times (typically) for digital messages and over 100,000 times (typically) for analog messages.

A new feature has been added that allows for the allocation of memory space in the I5216, to either digital or analog storage, when recording. When making a recording, if a section is assigned for digital or analog data storage, the system microcontroller stores this information in the Message Address Table.

MICROCONTROLLER INTERFACE

The I5216 is controlled through an I²C 2-wire interface. This synchronous serial port allows commands, configurations, address data, and digital data to be loaded to the device, while allowing status, digital data and current address information to be read back from the device. In addition to the serial interface, two other pins can be connected to the microcontroller for enhanced interface: the RAC timing pin and the INT\ pin for interrupts to the controller. Communications with all of the internal registers is through the serial bus, as well as digital memory Read and Write operations.

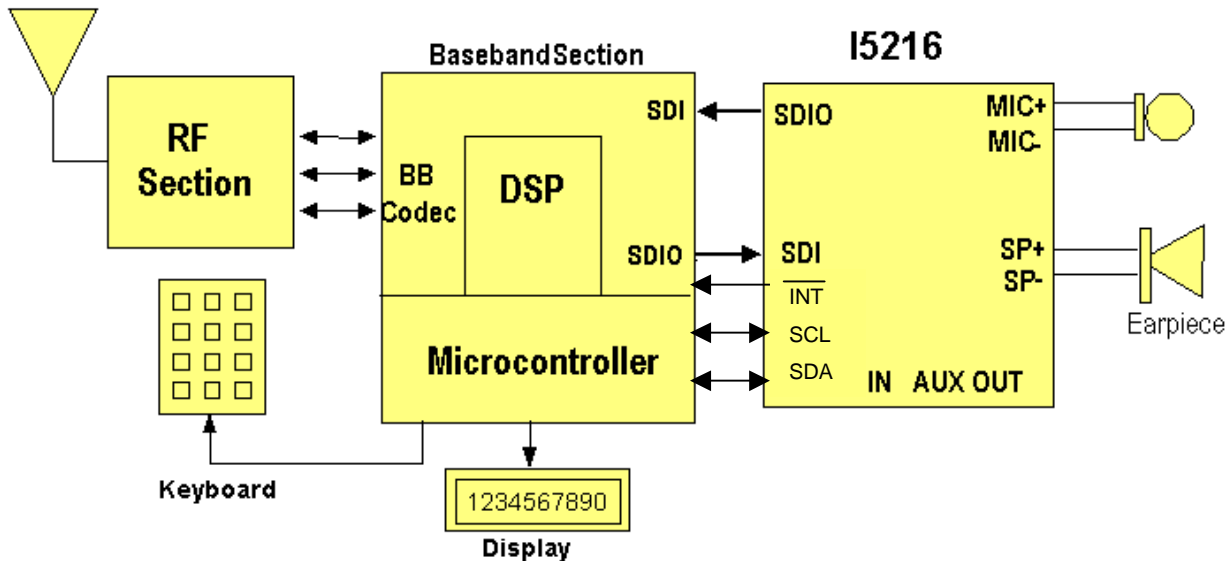
PROGRAMMING

The I5216 series is also ideal for playback-only applications, whereas single or multiple messages may be played back when desired. Playback is controlled through the I²C port. Once the desired message configuration is created, duplicates can easily be generated via a Winbond or third-party programmer. For more information on available application tools and programmers, please see the Winbond web site at <http://www.winbond-usa.com/>.

APPLICATIONS

The I5216 is a single chip solution for voice and analog storage that also includes the capability to store digital information in the memory array. The array may be divided between analog and digital storage, as the user chooses, when configuring the device.

Looking at the block diagram on the following page, one can see that the I5216 may be very easily designed into a cellular phone. Placing the device between the microphone and the existing baseband chip takes care of the transmit path. The SDI/SDIO of the baseband chip is connected to the SDIO/SDI of the I5216. Two pins are needed for the I²C digital control and digital information for storage.



Starting at the MICROPHONE inputs, the input signal at the MICROPHONE inputs can be routed in the following ways:

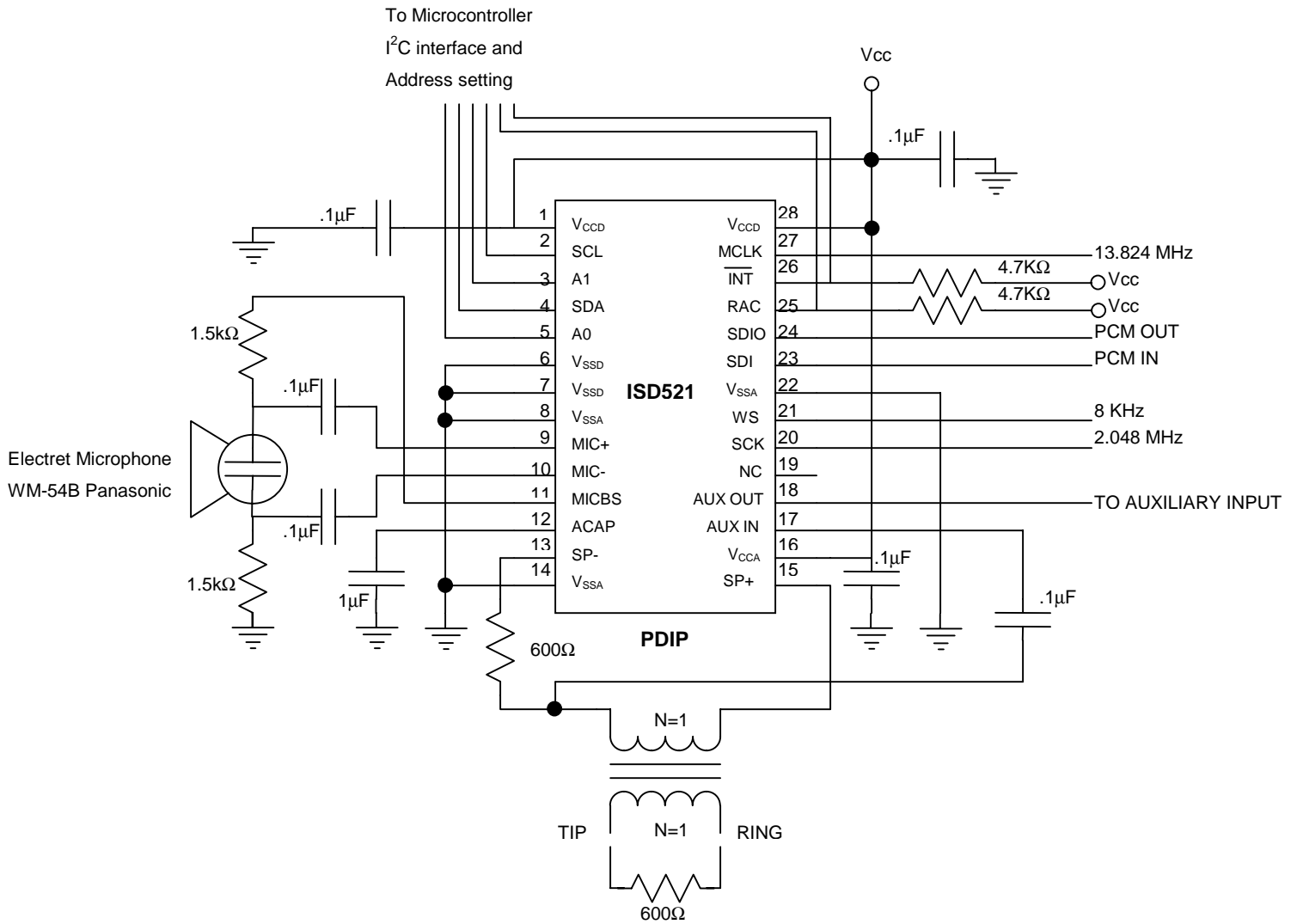
- directly through the Voice band CODEC of the I5216 chip, then through the SDIO pin, to output the digital PCM signal.
- through the AGC amplifier, before it is routed to the voice band CODEC.
- through the AGC amplifier to the storage array
- through the AGC amplifier and mixed with an analog voice band CODEC signal coming from the digital SDI pin

In addition, if the phone is inserted into a "hands-free" car kit, then the signal from the pickup microphone in the car can be passed through to the same places from the AUX IN pin and the phone's microphone is switched off. In this scenario, the other party's voice from the phone would be played into the PCM IN input and passed through to the AUX OUT pin that would drive the car kit's loudspeaker.

Depending upon whether one desires recording one side (simplex) or both sides (duplex) of a conversation, the various paths will also be switched through to the pass filter (for antialiasing) and into the storage array. Later, the cell phone owner can play back the messages from the array. When this happens, the Array Output MUX is connected to the volume control, through the Output MUX, to the Speaker Amplifier. For applications other than a cell phone, the audio paths can be switched into many different and flexible configurations. Some examples follow.

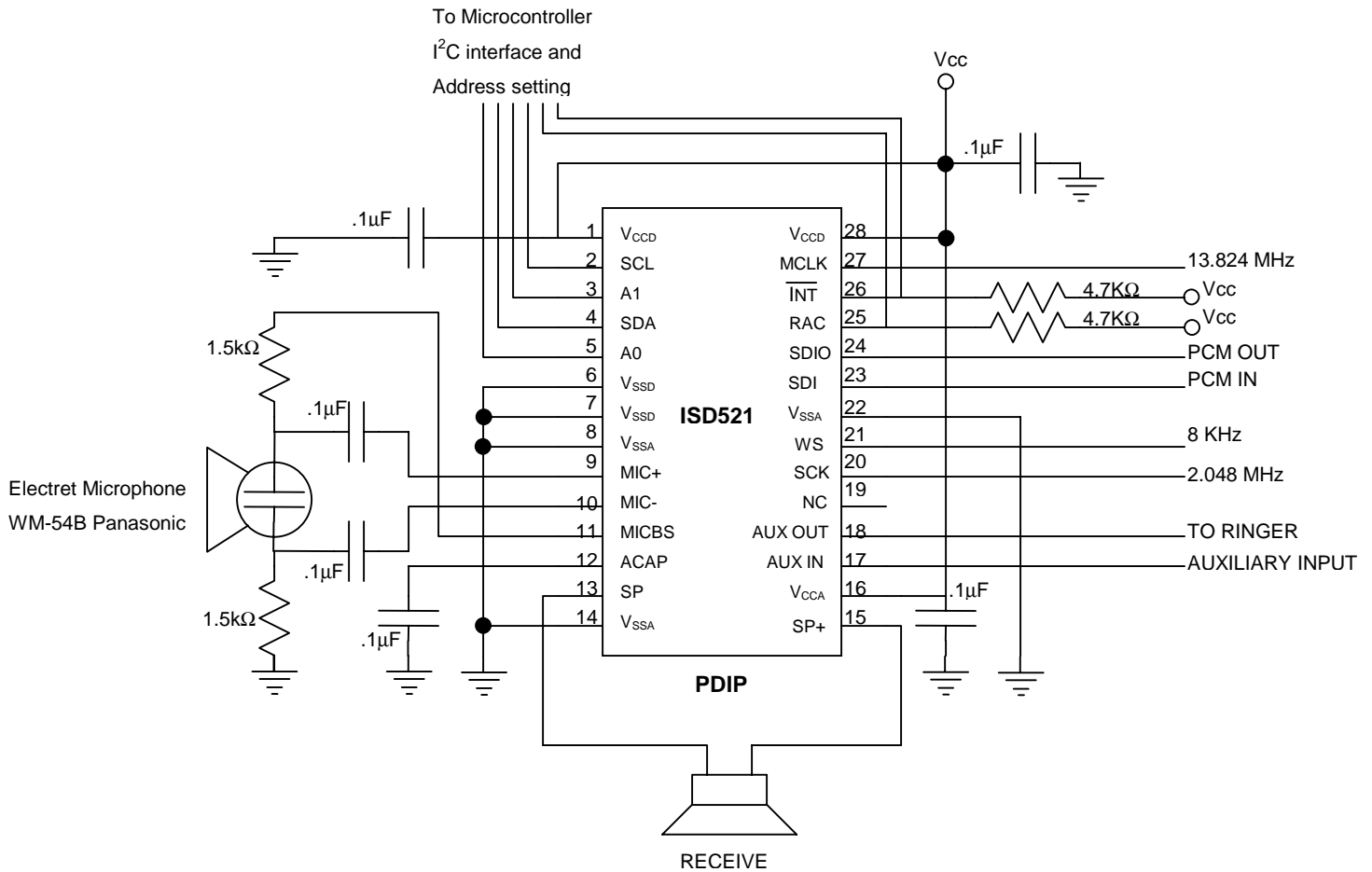


TRANSFORMER APPLICATION



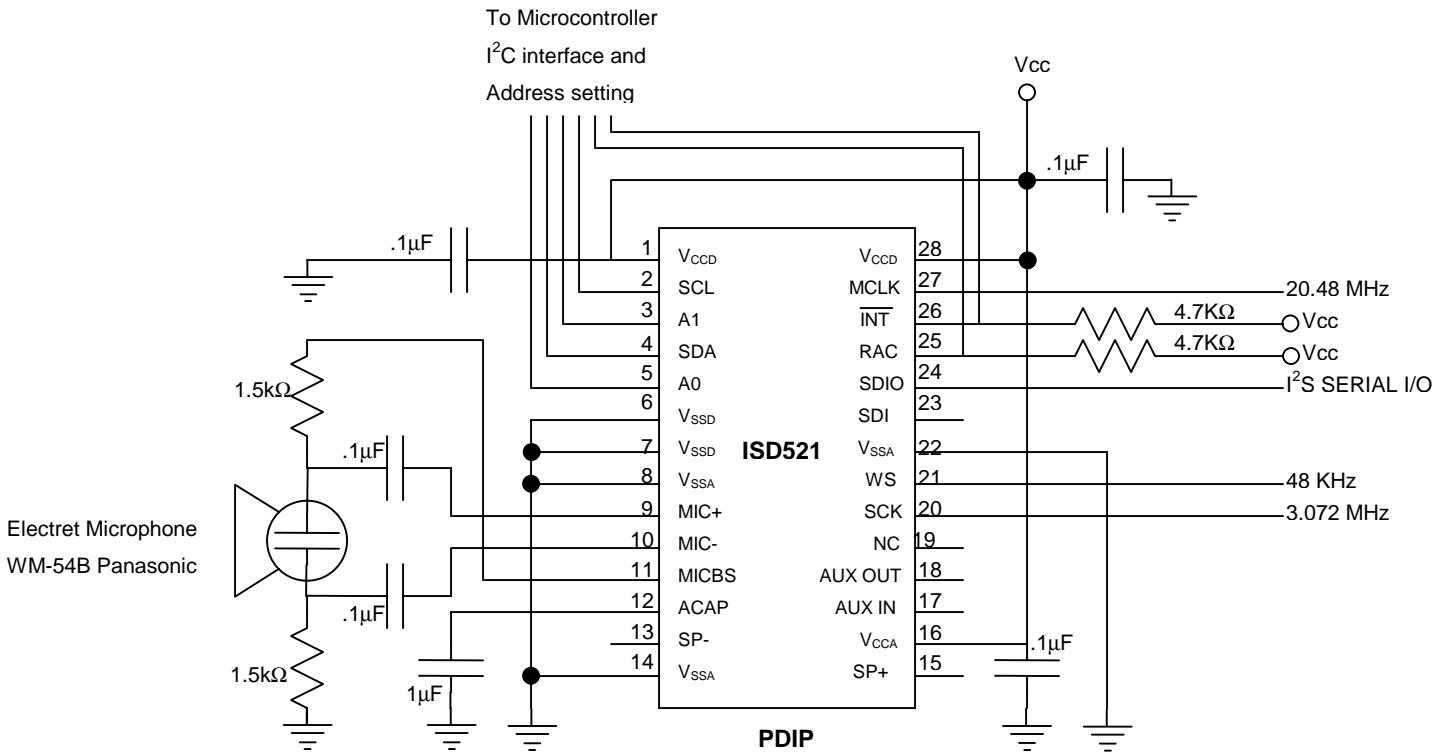


HANDSET APPLICATION





CAR STEREO APPLICATION





INTERNAL REGISTERS

The following tables provide a general illustration of the bits. There are three configuration registers: CFG0, CFG1 and CFG2. Thus, there are six 8-bit bytes to be loaded during the set-up of the device.

CFG0

Bit no.	Signal	Description
D0 (LSB)	VLPD	Power down the Volume Control.
D1	OPA0	Power down Speaker driver and/or Auxiliary output.
D2	OPA1	Power down Speaker driver and/or Auxiliary output.
D3	OPS0	Select speaker output multiplexer.
D4	OPS1	Select speaker output multiplexer.
D5	CDI0	Analog to digital converter input selector.
D6	CDI1	Analog to digital converter input selector.
D7	AMT0	Compress the filter signal.
D8	OSPD	Power down the internal ChipCorder oscillator.
D9	INS0	Select Microphone input or Auxiliary input.
D10	AXPD	Power down Auxiliary input amplifier.
D11	AXG0	Auxiliary input amplifier gain setting.
D12	AXG1	Auxiliary input amplifier gain setting.
D13	CIG0	Input gain setting for the Analog to digital converter.
D14	CIG1	Input gain setting for the Analog to digital converter.
D15 (MSB)	CIG2	Input gain setting for the Analog to digital converter.



CFG1

Bit no.	Signal	Description
D0 (LSB)	AGPD	Power down the Microphone AGC
D1	FLPD	Power down the Filter
D2	FLD0	Set the duration and sample rate of the ChipCorder
D3	FLD1	Set the duration and sample rate of the ChipCorder
D4	FLS0	Select the filter input signal
D5	S2M0	Select Sum Amplifier 2 input
D6	S2M1	Select Sum Amplifier 2 input
D7	S1M0	Select Sum Amplifier 1 input
D8	S1M1	Select Sum Amplifier 1 input
D9	S1S0	Select Sum Amplifier 1 multiplexer
D10	S1S1	Select Sum Amplifier 1 multiplexer
D11	VOL0	Volume Control Setting
D12	VOL1	Volume Control Setting
D13	VOL2	Volume Control Setting
D14	VLS0	Select Volume Control input
D15 (MSB)	VLS1	Select Volume Control input



CFG2

Bit no.	Signal	Description
D0 (LSB)	ADPD	Power down the Analog to Digital converter
D1	DAPD	Power down the Digital to Analog converter
D2	LAW0	Select digital μ -Law or A-Law input/output format
D3	LAW1	Select digital μ -Law or A-Law input/output format
D4	I2S0	Select the I2S interface
D5	HSR0	Enable the high sample rate mode
D6	HPF0	Enable High Pass Filter
D7	MUTE	Mute the CODEC A/D and D/A path
D8	CKDV	Divide MCLK by 2560 or 1728 for 8 kHz ChipCorder sample rate
D9	COG0	Output gain setting for the Digital to Analog converter
D10	COG1	Output gain setting for the Digital to Analog converter
D11	COG2	Output gain setting for the Digital to Analog converter
D12	CKD2	Divide MCLK frequency by 2 or 1
D13	-	Reserved
D14	-	Reserved
D15 (MSB)	-	Reserved



MEMORY ORGANIZATION

The I5216 memory array is arranged as 1888 rows (or pages) of 2048 bits, for a total memory of 3,866,624 bits. The primary addressing for the 2048 pages is handled by 11 bits of address data in the analog mode. At the 8 kHz sample rate, each page contains 256 milliseconds of audio. Thus, at 8 kHz there is actually room for 8 minutes and 3 seconds of audio.

A memory page is 2048 bits organized as thirty-two 64-bit "blocks" when used for digital storage. The contents of a page are either analog or digital. This is determined by instruction (op code) at the time the data is written. A record of what is analog and what is digital, and where, is stored by the system microcontroller in the message address table (MAT). The MAT is a table kept in the microcontroller memory that defines the status of each message "block." It can be stored back into the I5216 if the power fails or the system is turned off. Use of this table allows for efficient message management. Segments of messages can be stored wherever there is available space in the memory array. [This is explained in detail for the Winbond I5008 in Applications Note #No.9 and will similarly be in a later Note for the I5216.]

When a page is used for analog storage, the same 32 blocks are present, but there are 8 EOM (End-of-Message) markers. This means that for each 4 blocks there is an EOM marker at the end. Thus, when recording, the analog recording will stop at any one of eight positions. At 8 kHz, this results in a resolution of 32 msec when ENDING an analog recording. Beginning an analog recording is limited to the 256 msec resolution provided by the 11-bit address. A recording does not immediately stop when the Stop command is issued, but continues until the 32-millisecond block is filled. Then a bit is placed into the EOM memory to develop the interrupt that signals a message is finished playing in the Playback mode.

Digital data is sent and received, serially, over the I²C interface. The data is serial-to-parallel converted and stored in one of two alternating (commutating) 64-bit shift registers. When an input register is full, it becomes the register that is parallel written into the array. The prior write register becomes the new serial input register. A mechanism is built in to ensure there is always a register available for storing new data.

Storing data in the memory is accomplished by accepting data, one byte at a time, and issuing an acknowledgement. If data is coming in faster than it can be written, then the chip will not issue an acknowledgement to the host microcontroller until it is ready.

The read mode is the opposite of the write mode. Data is read into one of two 64-bit registers from the array and serially sent to the I²C port. (See [Digital Mode](#) on page 41 for details).

OPERATION MODES DESCRIPTION

I²C PORT

Important note: *The content contained herein of the rest of this datasheet assumes that the reader is familiar with the I²C serial interface. Additional information on I²C may be found in the I²C section of this document. If you are not familiar with this serial protocol, please read the I2C section to familiarize yourself with it. A significant amount of additional information on I²C can also be found on the Philips web page at <http://www.philips.com/>.*



I²C SLAVE ADDRESS

The I5216 has a 7 bit slave address of <100 00xy> where x and y are equal to the state, respectively, of the external address pins A1 and A0. Because all data bytes are required to be 8 bits, the LSB of the address byte is the Read/Write selection bit that tells the slave whether to transmit or receive data. Therefore, there are eight possible slave addresses for the I5216

A1	A0	Slave Address	R/W\ Bit	HEX Value
0	0	<100 00 00>	0	80
0	1	<100 00 01>	0	82
1	0	<100 00 10>	0	84
1	1	<100 00 11>	0	86
0	0	<100 00 00>	1	81
0	1	<100 00 01>	1	83
1	0	<100 00 10>	1	85
1	1	<100 00 11>	1	87

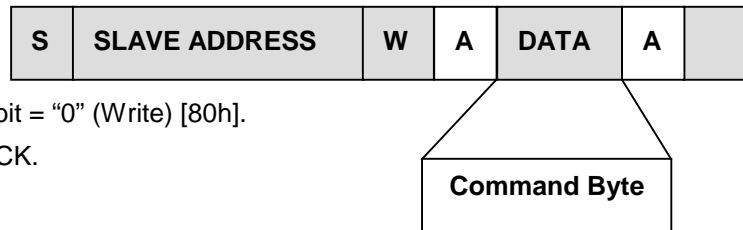
To use more than four I5216 devices in an application requires some external switching of the I²C link.



LOAD COMMAND BYTE REGISTER (Single Byte Load)

A single byte may be written to the Command Byte Register in order to power up the device, start or stop Analog Record (if no address information is needed), or perform a Message Cueing function. The Command Byte Register is loaded as follows:

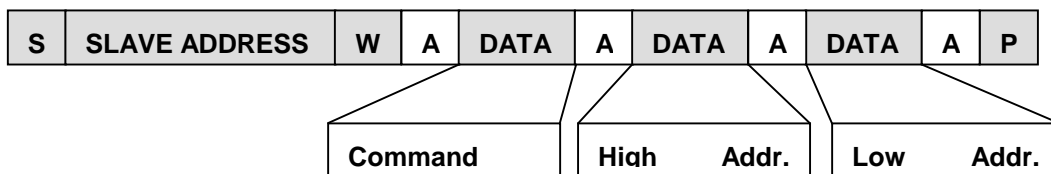
1. Host executes I²C START.
2. Send Slave Address with R/W bit = "0" (Write) [80h].
3. Slave responds back with an ACK.
4. Wait for SCL to go HIGH.
5. Host sends a command byte to Slave.
6. Slave responds with an ACK.
7. Wait for SCL to go HIGH.
8. Host executes I²C STOP.



LOAD COMMAND BYTE REGISTER (Address Load):

For the normal addressed mode the Registers are loaded as follows:

1. Host executes I²C START.
2. Send Slave Address with R/W bit = "0" (Write).
3. Slave responds back with an ACK.
4. Wait for SCL to go HIGH.
5. Host sends a byte to Slave - (Command Byte).
6. Slave responds with an ACK.
7. Wait for SCL to go HIGH.
8. Host sends a byte to Slave - (High Address Byte).
9. Slave responds with an ACK.
10. Wait for SCL to go HIGH.
11. Host sends a byte to Slave - (Low Address Byte).
12. Slave responds with an ACK.
13. Wait for SCL to go HIGH.
14. Host executes I²C STOP.





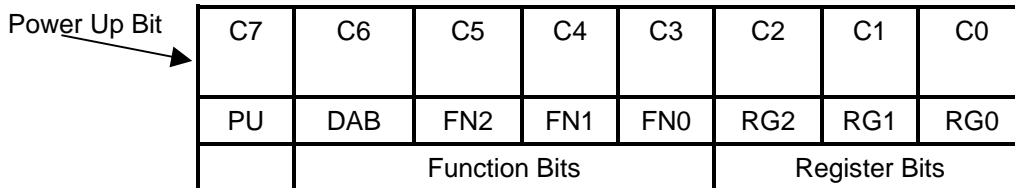
I²C CONTROL REGISTERS

The I5216 is controlled by loading commands to, or reading commands from the internal command, configuration and address registers. The Command byte sent is used to start and stop recording, write or read digital data and perform other functions necessary for the operation of the device.

COMMAND BYTE

Control of the I5216 is implemented through an 8-bit command byte that is sent after the 7-bit device address and the 1-bit Read/Write selection bit. The 8 bits are:

- Global power up bit
- DAB bit: determines whether device is performing an analog or digital function
- 3 function bits: these determine which function the device is to perform in conjunction with the DAB bit.
- 3 register address bits: these determine if and when data is to be loaded to a register



FUNCTION BITS

The command byte function bits are detailed in the table to the right. C6, the DAB bit, determines whether the device is performing an analog or digital function. The other bits are decoded to produce the individual commands. Note that not all decode combinations are currently used; they are reserved for future use. Out of 16 possible codes, the I5216 uses 7 for normal operation. The other 9 are No Ops.

Command Bits				Function
C6	C5	C4	C3	
DAB	FN2	FN1	FN0	
0	0	0	0	STOP (or do nothing)
0	1	0	1	Analog Play
0	0	1	0	Analog Record
0	1	1	1	Analog MC
1	1	0	0	Digital Read
1	0	0	1	Digital Write
1	0	1	0	Erase (row)



REGISTER BITS

The register load may be used to modify a command sequence (such as load an address) or used with the null command sequence to load a configuration or test register. Not all registers are accessible to the user. [The remaining three codes are No Ops.]

RG2	RG1	RG0	Function
C2	C1	C0	
0	0	0	No action
0	0	1	Load Address
0	1	0	Load CFG0
0	1	1	Load CFG1
1	0	1	Load CFG2

OPCODE SUMMARY

OpCode Command Description

The following commands are used to access the chip through the I²C port:

- Play: analog play command.
- Record: analog record command.
- Message Cue: analog message cue command.
- Enter Digital mode.
- Read: digital read command.
- Write: digital write command.
- Erase: digital page and block erase command.
- Exit Digital mode.
- Power up: global power up/down bit. (C7).
- Load address: load address register (is incorporated in play, record, read and write commands).
- Load CFG0: load configuration register 0.
- Load CFG1: load configuration register 1.
- Load CFG2: load configuration register 2.
- Read STATUS: Read the interrupt status and address register, including a hardwired device ID.



OPCODE COMMAND BYTE TABLE

OPCODE	HEX	Pwr	Function Bits				Register Bits		
		PU	DAB	FN2	FN1	FN0	RG2	RG1	RG0
COMMAND BIT NUMBER	CMD	C7	C6	C5	C4	C3	C2	C1	C0
POWER UP	80	1	0	0	0	0	0	0	0
POWER DOWN	00	0	0	0	0	0	0	0	0
STOP (DO NOTHING) STAY ON	80	1	0	0	0	0	0	0	0
STOP (DO NOTHING) STAY OFF	00	0	0	0	0	0	0	0	0
LOAD ADDRESS	81	1	0	0	0	0	0	0	1
LOAD CFG0	82	1	0	0	0	0	0	1	0
LOAD CFG1	83	1	0	0	0	0	0	1	1
LOAD CFG2	85	1	0	0	0	0	1	0	1
RECORD ANALOG	90	1	0	0	1	0	0	0	0
RECORD ANALOG @ ADDR	91	1	0	0	1	0	0	0	1
PLAY ANALOG	A8	1	0	1	0	1	0	0	0
PLAY ANALOG @ ADDR	A9	1	0	1	0	1	0	0	1
MSG CUE ANALOG	B8	1	0	1	1	1	0	0	0
MSG CUE ANALOG @ ADDR	B9	1	0	1	1	1	0	0	1
ENTER DIGITAL MODE	C0	1	1	0	0	0	0	0	0
ERASE DIGITAL PAGE	D1	1	1	0	1	0	0	0	1
WRITE DIGITAL	C8	1	1	0	0	1	0	0	0
WRITE DIGITAL @ ADDR	C9	1	1	0	0	1	0	0	1
READ DIGITAL	E0	1	1	1	0	0	0	0	0
READ DIGITAL @ ADDR	E1	1	1	1	0	0	0	0	1
EXIT DIGITAL MODE	40	0	1	0	0	0	0	0	0
READ STATUS REGISTER ¹	N/A	N/A	N/A	N/A	N/A	N/A	N/A	N/A	N/A



¹See [Playback and Stop Cycle](#) on page 62 for details.

DATABYTES

In the I²C write mode, the device can accept data sent after the command byte. If a register load option is selected, the next two bytes are loaded into the selected register. The format of the data is MSB first, as specified by the I²C standard. Thus to load DATA<15:0> into the device, DATA<15:8> is sent first, the byte is acknowledged, and DATA<7:0> is sent next. The address register consists of two bytes. The format of the address is as follows:

ADDRESS<15:0> = PAGE_ADDRESS<10:0>, BLOCK_ADDRESS<4:0>

If an analog function is selected, the block address bits must be set to 00000. Digital Read and Write are block addressable.

When the device is polled with the Read Status command, it will return three bytes of data. The first byte is the status byte, the next is the upper address byte and the last is the lower address byte. The status register is one byte long and its bit function is:

STATUS<7:0> = EOM, OVF, READY, PD, PRB, DEVICE_ID<2:0>

The lower address byte will always return the block address bits as zero, either in digital or analog mode.

The functions of the bits are:

BIT#	NAME	FUNCTION
7	EOM	Indicates whether an EOM interrupt has occurred.
6	OVF	Indicates whether an overflow interrupt has occurred.
5	READY	Indicates the internal status of the device – if READY is LOW no new commands should be sent to device.
4	PD	Device is powered down if PD is HIGH.
3	PRB	Play/Record mode indicator. HIGH=Play/LOW=Record.
2	DEVICE_ID	An internal device ID. This is 001 for the I5216.
1		
0		

It is good practice to read the status register after a Write or Record operation to ensure that the device is ready to accept new commands. Depending upon the design and the number of pins available on the controller, the polling overhead can be reduced. If INT\ and RAC are tied to the microcontroller, the controller does not have to poll as frequently to determine the status of the I5216



POWER-UP SEQUENCE

This sequence prepares the I5216 for an operation to follow, and waits for the T_{pud} time before sending the next command sequence.

1. Send I²C Start.
2. Send one byte 10000000 {Slave Address, R/W = 0} 80h.
3. Slave ACK.
4. Wait for SCL High.
5. Send one byte 10000000 {Command Byte = Power Up} 80h.
6. Slave ACK.
7. Wait for SCL High.
8. Send I²C Stop.

SET MASTER CLOCK DIVISION RATIO

The I5216 product has two Master Clock configuration bits that allow four possible Master Clock frequencies. The Master Clock Division ratios can be set by bits CKD2 and CKDV. These are bits D12 and D8 of CFG2, respectively. The combination of these bits, with the sample rate bit HSR0, also sets the CODEC sample frequency.

Master Clock Possible Settings

F_{MCLK}	HSR0 (D5) (CFG2)	CKD2 (D12) (CFG2)	CKDV (D8) (CFG2)	F_{SCODEC}
13.824 MHz	0	0	0	8 kHz
20.48 MHz	0	0	1	11.852 kHz*
27.648 MHz	0	1	0	8 kHz
40.96 MHz	0	1	1	11.852 kHz*
13.824 MHz	1	0	0	32 kHz*
20.48 MHz	1	0	1	44.1 - 48 kHz
27.648 MHz	1	1	0	32 kHz*
40.96 MHz	1	1	1	44.1-48 kHz

*not tested



PLAYBACK MODE

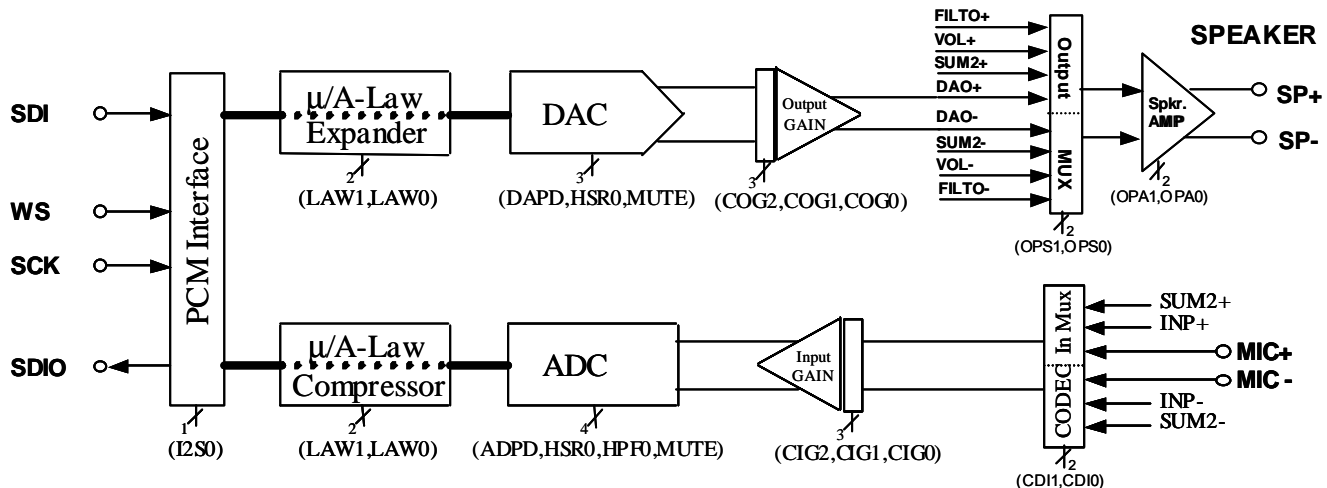
The command sequence for an analog Playback operation can be handled several ways. One technique is to do a Load Address (81h), which requires sending a total of four bytes, followed by a Play Analog, which is a Command Byte (A8h) preceded by the Slave Address Byte. This is a total of six bytes plus the times for Start, ACK, and Stop.

Another approach for an analog Playback operation is via a single four byte exchange, which consists of the Slave Address (80h), the Command Byte (A9h) for Play Analog @ Address, and the two address bytes.

RECORD MODE

The command sequence for an Analog Record is a four byte sequence consisting of the Slave Address (80h), the Command Byte (91h) for Record Analog @ Address, and the two address bytes. (See [I²C Interface](#) on page 17 for more detail.)

FEED THROUGH MODE



This diagram shows the part of the I5216 block diagram that is used in Feed Through Mode. The rest of the chip will be powered down to conserve power. Note that the Microphone and Speaker +/- paths are differential



FEED THROUGH MODE

The previous examples were dependent upon the device already being powered up and the various paths being set through the device for the desired operation. To set up the device for the various paths requires loading the three 16-bit Configuration Registers with the correct data. For example, in the Feed Through Mode, the device only needs to be powered up and a few paths selected. This mode enables the I5216 to connect to a cellular or cordless baseband phone chip set without affecting the audio source or destination. There are two paths involved: the transmit path and the receive path. The transmit path connects the Winbond chip's microphone source through to the digital audio input on the baseband chip set. The receive path connects the baseband chip set's digital output through to the speaker driver on the Winbond chip. This allows the Winbond chip to substitute for Analog to Digital and Digital to Analog conversion, and incidentally gain access to the audio, both to and from the baseband chip set.

To setup the environment described above, a series of commands need to be sent to the I5216. First, the chip needs to be powered up as described in [Power-Up Sequence](#) on page 25. Then the Configuration Registers need to be filled with the specific data to connect the desired paths. In the case of the Feed Through Mode, most of the chip can remain powered down. **The Feed Through Mode** diagram illustrates the affected paths

To select the Feed Through mode, the following control bits must be configured in the I5216 configuration register

To set up the transmit path:

1. Select the FTHRU path through the CODEC INPUT MUX—Bits CDI1 and CDI0 control the state of the CODEC INPUT MUX. These are the D6 and D5 bits, respectively, of Configuration Register 0 (CFG0) and they should be set to ONE and ZERO, respectively, to select the FTHRU path.
2. Power up the ADC—Bit ADPD controls the power up state of ADC. This is bit D0 of CFG2 and it should be a ZERO to power up the ADC.
3. Set the CODEC input gain. The input gain setting will depend on the input level at the MIC+/- pins and can be set by the CODEC INPUT GAIN Bits CIG2, CIG1 and CIG0. These are the D15, D14 and D13 bits, respectively, of Configuration Register 0 (CFG0). The input gain can be set according to the following table. (Table A)
4. Enable the High Pass Filter, if desired, in the low sample rate mode. This can be done by setting bit HPF0 to ONE. This is bit D6 of CFG2.
5. Select the low or high sample rate mode by setting bit HSR0. This is bit D5 of CFG2. HSR0 needs to be set to ONE for the high sample rate mode.
6. Set the MUTE bit if desired. This bit can be set temporarily to reduce power up 'pops' or to set the system on hold. This bit is D7 of CFG2 and needs to be set to ONE in order to mute the signal.
7. Set the digital data format through bits LAW1 and LAW0. These are bits D3 and D2 of CFG2, respectively. The data format can be chosen according to the following table. (Table B).
8. Set the interface mode to PCM-interface by setting bit I²S0 to ZERO. This will also enable full duplex mode. This bit is bit D4 of CFG2.
9. Set the Master Clock division ratios as described in [Set Master Clock Division Ratio](#) on page 25.



Table A

CIG2	CIG1	CIG0	GAIN
0	0	0	0.80
0	0	1	1.00
0	1	0	1.20
0	1	1	1.25
1	0	0	1.40
1	0	1	1.60
1	1	0	1.80
1	1	1	2.00

Table B

LAW 1	LAW 0	Data format
0	0	Two's complement
0	1	A-Law
1	0	μ -Law
1	1	

Table C

HSRO	Sample Rate Mode
0	Low
1	High

Table D

HPF0	High Pass Filter
0	Bypassed
1	Enabled

Table E

ADPD	CODEC ADC
0	Power Up
1	Power Down

Table F

DAPD	CODEC DAC
0	Power Up
1	Power Down

Table G

I ² S0	CONDITION
0	PCM Interface
1	I ² S Interface

Table H

MUTE	CONDITION
0	Power Up
1	Mute CODEC ADC & DAC



To set up the receive path:

Set up the CODEC output gain amplifier for the correct gain—Bits COG0, COG1 and COG2 control the gain settings of this amplifier. These are bits D9, D10 and D11, respectively, of CFG2. The table below will help determine the setting

COG2	COG1	COG0	GAIN (dB)
0	0	0	0
0	0	1	+2
0	1	0	+4
0	1	1	+6
1	0	0	-8
1	0	1	-6
1	1	0	-4
1	1	1	-2

1. Power up the DAC—Bit DAPD controls the power up state of the DAC. This is bit D1 of CFG2 and should be a ZERO to power up the DAC.
2. Select the DAC path through the OUTPUT MUX—Bits OPS0 and OPS1 control the state of the OUTPUT MUX. These are bits D3 and D4, respectively, of CFG0 and they should be set to the state where D3 is ONE and D4 is ZERO to select the DAC path.
3. Power up the Speaker Amplifier—Bits OPA0 and OPA1 control the state of the Speaker and AUX amplifiers. These are bits D1 and D2, respectively, of CFG0. They should be set to the state where D1 is ONE and D2 is ZERO. This powers up the Speaker Amplifier and configures it for a higher gain setting (for use with a piezo speaker element) and also powers down the AUX output stage.
4. Set the Master Clock configuration bits and bits HSR0, MUTE, HPF0, I²S0, LAW1 and LAW0 as described in the previous sections.

The status of the rest of the functions in the I5216 chip must be defined before the configuration registers settings are updated:

1. *Power down the Volume Control Element*—Bit VLPD controls the power up state of the Volume Control. This is bit D0 of CFG0 and it should be set to a ONE to power down this stage.
2. *Power down the internal oscillator*—Bit PDOS controls the power up state of the internal ChipCorder oscillator. This is bit D8 of CFG0 and it should be set to a ONE to power down this oscillator



3. *Power down the AUX IN amplifier*—Bit AXPD controls the power up state of the AUX IN input amplifier. This is bit D10 of CFG0 and it should be set to a ONE to power down this stage.
4. *Power down the SUM1 and SUM2 Mixer amplifiers*—Bits S1M0 and S1M1 control the SUM1 mixer and bits S2M0 and S2M1 control the SUM2 mixer. These are bits D7 and D8 in CFG1, and bits D5 and D6 in CFG1, respectively. All four bits should be set to a ONE in order to power down these two amplifiers.
5. *Power down the FILTER stage*—Bit FLPD controls the power up state of the FILTER stage in the device. This is bit D1 in CFG1 and should be set to a ONE to power down the stage.
6. *Power down the AGC amplifier*—Bit AGPD controls the power up state of the AGC amplifier. This is bit D0 in CFG1 and should be set to a ONE to power down this stage.
7. *Don't Care bits*—All other bits are not used in Feed Through Mode. Their bits may be set to either level. In this example, we will set all the "Don't Care" bits to a ZERO.

The following example shows the setup for a full-duplex feed-through path at 8 kHz sampling rate. The two's complement data format is enabled. The High Pass filter is also enabled. The Master Clock input is running at 13.824MHz.

CFG0=0010 0101 0100 1011 (hex 254B)

and

CFG1=0000 0001 1110 0011 (hex 01E3).

and

CFG2=0000 0000 0100 0000 (hex 0040).

Since three registers are being loaded, CFG0 is loaded, followed by the loading of CFG1 and CFG2. These three registers must be loaded in this order. The internal set up for these registers will take effect synchronously, with the rising edge of SCL.

CALL RECORD

The call record mode adds the ability to record the incoming phone call. In most applications, the I5216 would first be set up for Feed Through Mode as described above. When the user wishes to record the incoming call, the set up of the chip is modified to add that ability. For the purpose of this explanation, we will use the 6.4 kHz ChipCorder sample rate during recording.

The block diagram of the I5216 shows that the Multilevel Storage array is always driven from the SUM2 SUMMING amplifier. The path traces back from there, through the LOW PASS Filter, the FILTER MUX, the SUM1 SUMMING amplifier, the SUM1 MUX, back to the origin CODEC. Feed Through Mode has already powered up the CODEC, so we only need to power up and enable the path to the Multilevel Storage array from that point:



1. *Select the CODEC path through the SUM1 MUX*—Bits S1S0 and S1S1 control the state of the SUM1 MUX. These are bits D9 and D10, respectively, of CFG1 and they should be set to the state where both D9 and D10 are ZERO to select the CODEC path.
2. *Select the SUM1 MUX input (only) to the S1 SUMMING amplifier*—Bits S1M0 and S1M1 control the state of the SUM1 SUMMING amplifier. These are bits D7 and D8, respectively, of CFG1 and they should be set to the state where D7 is ONE and D8 is ZERO to select the SUM1 MUX (only) path.
3. *Select the SUM1 SUMMING amplifier path through the FILTER MUX*—Bit FLS0 controls the state of the FILTER MUX. This is bit D4 of CFG1 and it must be set to ZERO to select the SUM1 SUMMING amplifier path.
4. *Deselect the signal compression*—Bit AMT0 controls the signal compression. This is bit D7 of CFG0 and it must be set to ZERO.
5. *Power up the LOW PASS FILTER*—Bit FLPD controls the power up state of the LOW PASS FILTER stage. This is bit D1 of CFG1 and it must be set to ZERO to power up the LOW PASS FILTER STAGE.
6. *Select the 6.4 kHz sample rate*—Bits FLD0 and FLD1 select the Low Pass filter setting and sample rate to be used during record and playback. These are bits D2 and D3 of CFG1. To enable the 6.4 kHz sample rate, D2 must be set to ONE and D3 set to ZERO.
7. *Select the LOW PASS FILTER input (only) to the S2 SUMMING amplifier*—Bits S2M0 and S2M1 control the state of the SUM2 SUMMING amplifier. These are bits D5 and D6, respectively, of CFG1 and they should be set to the state where D5 is ZERO and D6 is ONE to select the LOW PASS FILTER (only) path.

The configuration settings in the call record mode are:

CFG0=0100 0100 0000 1011 (hex 440B).

CFG1=0000 0000 1100 0101 (hex 00C5).

CFG2=0000 0000 0100 0000 (hex 0040).

MEMO RECORD

The Memo Record mode sets the chip up to record from the local microphone into the chip's Multilevel Storage Array. A connected cellular telephone or cordless phone chip set may remain powered down since they are not active in this mode. The path to be used is microphone input to AGC amplifier, then through to the INPUT SOURCE MUX, to the SUM1 SUMMING amplifier. From there, the path goes through the FILTER MUX, the LOW PASS FILTER, the SUM2 SUMMING amplifier, then to the MULTILEVEL STORAGE ARRAY. In this example, we will select the 5.3 kHz sample rate. The rest of the chip may be powered down.

1. *Power up the AGC amplifier* Bit AGPD controls the power up state of the AGC amplifier. This is bit D0 of CFG1 and must be set to ZERO to power up this stage.
2. *Select the AGC amplifier through the INPUT SOURCE MUX*—Bit INS0 controls the state of the INPUT SOURCE MUX. This is bit D9 of CFG0 and must be set to a ZERO to select the AGC amplifier.



3. *Select the INPUT SOURCE MUX (only) to the S1 SUMMING amplifier*—Bits S1M0 and S1M1 control the state of the SUM1 SUMMING amplifier. These are bits D7 and D8, respectively, of CFG1 and they should be set to the state where D7 is ZERO and D8 is ONE to select the INPUT SOURCE MUX (only) path.
4. *Select the SUM1 SUMMING amplifier path through the FILTER MUX*—Bit FLS0 controls the state of the FILTER MUX. This is bit D4 of CFG1 and it must be set to ZERO to select the SUM1 SUMMING amplifier path.
5. *Deselect the signal compression*—Bit AMT0 controls the signal compression. This is bit D7 of CFG0 and it must be set to ZERO.
6. *Power up the LOW PASS FILTER*—Bit FLPD controls the power up state of the LOW PASS FILTER stage. This is bit D1 of CFG1 and it must be set to ZERO to power up the LOW PASS FILTER STAGE.
7. *Select the 5.3 kHz sample rate*—Bits FLD0 and FLD1 select the Low Pass filter setting and sample rate to be used during record and playback. These are bits D2 and D3 of CFG1. To enable the 5.3 kHz sample rate, D2 must be set to ZERO and D3 set to ONE.
8. *Select the LOW PASS FILTER input (only) to the S2 SUMMING amplifier* – BITS S2M0 and S2M1 control the state of the SUM2 SUMMING amplifier. These are bits D5 and D6, respectively, of CFG1 and they should be set to the state where D5 is ZERO and D6 is ONE to select the LOW PASS FILTER (only) path.
9. *Power up the Internal Oscillator*—Bit OSPD controls the power up state of the Internal Oscillator. This is bit D8 of CFG0 and it must be set to ZERO to power up the Internal Oscillator.

To set up the chip for Memo Record, the configuration registers are set up as follows:

CFG0=0000 0100 0000 0001 (hex 0401).

CFG1=0000 0001 0100 1000 (hex 0148).

CFG2=0000 0000 0000 0011 (hex 0003).

Only those portions necessary for this mode are powered up.

MEMO AND CALL PLAYBACK

This mode sets the chip up for local playback of messages that were recorded earlier. The playback path is from the MULTILEVEL STORAGE ARRAY to the FILTER MUX, then to the LOW PASS FILTER stage. From there, the audio path goes through the SUM2 SUMMING amplifier to the VOLUME MUX, through the VOLUME CONTROL then to the SPEAKER output stage. We will assume that we are driving a piezo speaker element and that this audio was previously recorded at 8 kHz. All unnecessary stages will be powered down.

1. *Select the MULTILEVEL STORAGE ARRAY path through the FILTER MUX*—Bit FLS0, the state of the FILTER MUX. This is bit D4 of CFG1 and must be set to ONE to select the MULTILEVEL STORAGE ARRAY.



2. *Power up the LOW PASS FILTER*—Bit FLPD controls the power up state of the LOW PASS FILTER stage. This is bit D1 of CFG1 and it must be set to ZERO to power up the LOW PASS FILTER STAGE.
3. *Select the 8.0 kHz sample rate*—Bits FLD0 and FLD1 select the Low Pass filter setting and sample rate to be used during record and playback. These are bits D2 and D3 of CFG1. To enable the 8.0 kHz sample rate, D2 and D3 must be set to ZERO.
4. *Select the LOW PASS FILTER input (only) to the S2 SUMMING amplifier* —Bits S2M0 and S2M1 control the state of the SUM2 SUMMING amplifier. These are bits D5 and D6, respectively, of CFG1 and they should be set to the state where D5 is ZERO and D6 is ONE to select the LOW PASS FILTER (only) path.
5. *Select the SUM2 SUMMING amplifier path through the VOLUME MUX*—Bits VLS0 and VLS1 control the VOLUME MUX stage. These bits are D14 and D15, respectively, of CFG1. They should be set to the state where D14 is ONE and D15 is ZERO to select the SUM2 SUMMING amplifier.
6. *Power up the VOLUME CONTROL LEVEL*—Bit VLPD controls the power-up state of the VOLUME CONTROL attenuator. This is Bit D0 of CFG0. This bit must be set to a ZERO to power-up the VOLUME CONTROL.
7. *Select a VOLUME CONTROL LEVEL*—Bits VOL0, VOL1 and VOL2 control the state of the VOLUME CONTROL LEVEL. These are bits D11, D12, and D13, respectively, of CFG1. A binary count of 000 through 111 controls the amount of attenuation through that stage. In most cases, the software will select an attenuation level according to the desires of the product user. In this example, we will assume the user wants an attenuation of –12 dB. For that setting, D11 should be set to ONE, D12 should be set to ONE, and D13 should be set to a ZERO.
8. *Select the VOLUME CONTROL path through the OUTPUT MUX*—These are bits D3 and D4, respectively, of CFG0. They should be set to the state where D3 is ZERO and D4 is a ZERO to select the VOLUME CONTROL.
9. *Power up the SPEAKER amplifier and select the HIGH GAIN mode*—Bits OPA0 and OPA1 control the state of the speaker (SP+ and SP–) and AUX OUT outputs. These are bits D1 and D2 of CFG0. They must be set to the state where D1 is ONE and D2 is ZERO to power-up the speaker outputs in the HIGH GAIN mode and to power-down the AUX OUT.
10. *Power up the Internal Oscillator*—Bit OSPD controls the power up state of the Internal Oscillator. This is bit D8 of CFG0 and it must be set to ZERO to power up the Internal Oscillator.

To set up the chip for Memo or Call Playback, the configuration registers are set up as follows:

CFG0=0010 0100 0010 0010 (hex 2422).

CFG1=0101 1001 1101 0001 (hex 59D1).

CFG2=0000 0000 0000 0011 (hex 0003).

Only those portions necessary for this mode are powered up.



MESSAGE CUEING

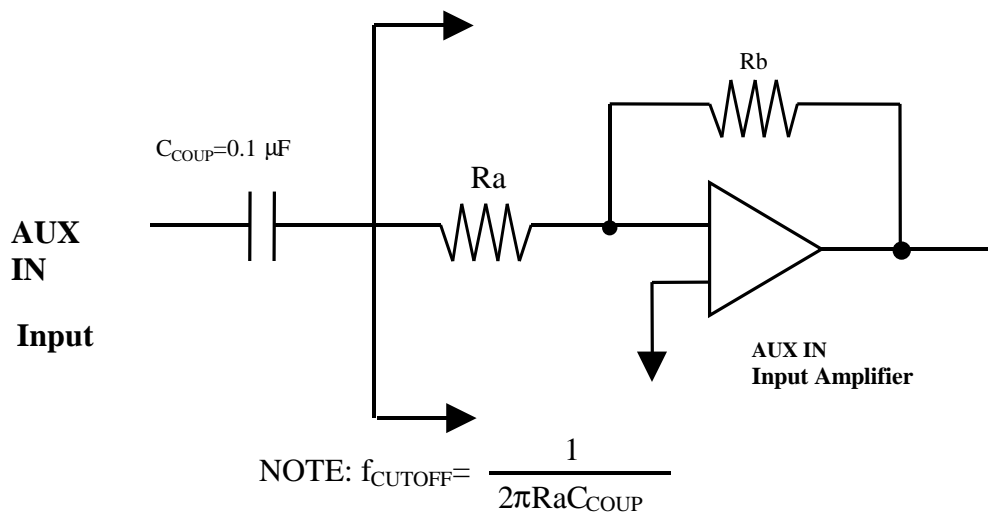
Message cueing allows the user to skip through messages, without having to know the actual physical location of each message. This operation is used during playback. In this mode, the messages are skipped 512 times faster than in normal playback mode. This operation will stop when an EOM marker is reached. Then, the internal address counter will be pointing to the next message.

ANALOG MODE

AUX IN DESCRIPTION

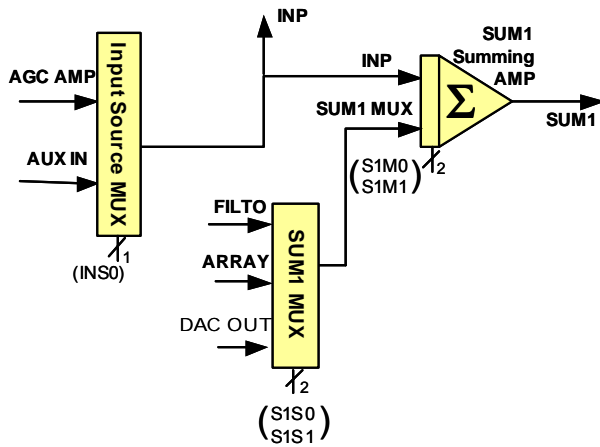
The AUX IN is an additional audio input to the Winbond I5216, such as from the microphone circuit in a mobile phone "car kit." This input has a nominal 700 mV p-p level at its minimum gain setting (0 dB). (See [Aux In Amplifier Gain Settings table](#) on page 50.) Additional gain is available in 3 dB steps (controlled by the I²C serial interface) up to 9 dB.

INTERNAL TO THE DEVICE





I5216 ANALOG STRUCTURE (Left Half) DESCRIPTION



INSO	SOURCE
0	AGC AMP
1	AUX IN AMP

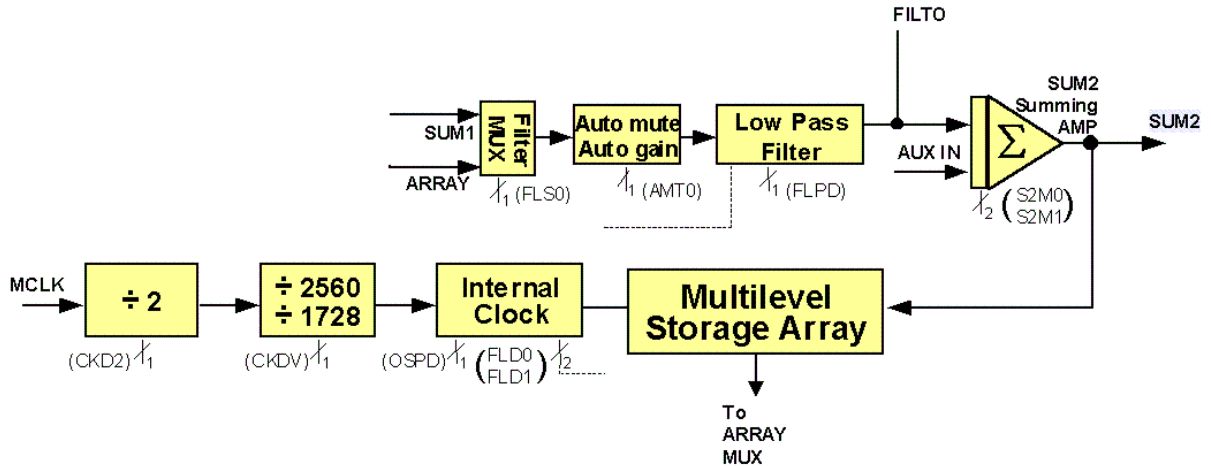
S1M1	S1M0	SOURCE
0	0	BOTH
0	1	SUM1 MUX ONLY
1	0	INP Only
1	1	POWER DOWN

S1S1	S1S0	SOURCE
0	0	DAC OUT (DAO)
0	1	ARRAY
1	0	FILTO
1	1	N?C

CIG2	CIG1	CIG0	AXG1	AXG0	AXPD	INS0	OSPD	AMT0	CDI1	CDI0	OPS1	OPS0	OPA1	OPA0	VLPD	CFG0
15	14	13	12	11	10	9	8	7	6	5	4	3	2	1	0	
VLS1	VLS0	VOL2	VOL1	VOL0	S1S1	S1S0	S1M1	S1M0	S2M1	S2M0	FLS0	FLD1	FLD0	FLPD	AGPD	CFG1
15	14	13	12	11	10	9	8	7	6	5	4	3	2	1	0	
X	X	X	CKD2	COG2	COG1	COG0	CKDV	MUTE	HPF0	HSR0	I2S0	LAW1	LAW0	DAPD	ADPD	CFG2



I5216 ANALOG STRUCTURE (Right Half) DESCRIPTION



FLPD	CONDITION
0	Power Up
1	Power Down

S2M1	S2M0	SOURCE
0	0	BOTH
0	1	AUX IN ONLY
1	0	FILTO ONLY
1	1	Power Down

FLD1	FLD0	SAMPLE RATE	FILTER PASS BAND
0	0	8 KHz	3.7 KHz
0	1	6.4 KHz	2.9 KHz
1	0	5.3 KHz	2.5 KHz
1	1	4.0 KHz	1.8 KHz

FLS0	SOURCE
0	SUM1
1	ARRAY

AMT0	Signal Output
0	Uncompressed
1	Compressed

OSPD	Condition
0	Power Up Internal Oscillator
1	Power Down Internal Oscillator

CKD2	Condition
0	Divide Master Clock frequency by 1
1	Divide Master Clock frequency by 2

CKDV	Condition
0	Divide Master Clock frequency by 1728
1	Divide Master Clock frequency by 2560

CIG2	CIG1	CIG0	AXG1	AXG0	AXPD	INS0	OSPD	AMT0	CDI1	CDI0	OPS1	OPS0	OPA1	OPA0	VLPD	CFG0
15	14	13	12	11	10	9	8	7	6	5	4	3	2	1	0	
VLS1	VLS0	VOL2	VOL1	VOL0	S1S1	S1S0	S1M1	S1M0	S2M1	S2M0	FLS0	FLD1	FLD0	FLPD	AGPD	CFG1
15	14	13	12	11	10	9	8	7	6	5	4	3	2	1	0	
X	X	X	CKD2	COG2	COG1	COG0	CKDV	MUTE	HPF0	HSR0	I2S0	LAW1	LAW0	DAPD	ADPD	CFG2



AUTO MUTE AND AUTO GAIN FUNCTIONS

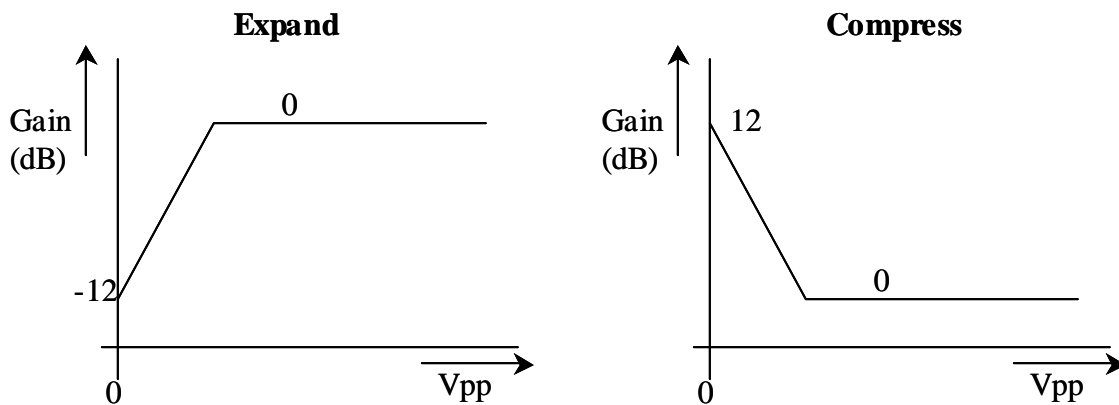
During playback, the signal passes through the Automatic Attenuator before it is filtered. The Automatic Attenuator will attenuate all signals at the noise level in order to reduce the noise during quiet pauses.

During record, low level input signals are brought up by the Auto Gain function if the configuration bit D7 of CFG0 (AMT0) is set. This improves the signal to noise ratio of recorded low level input signals. If the configuration bit CFG0<7> (AMT0) is set to ZERO, all input levels are recorded with the same gain setting. The attack and release time of the Auto Gain and Auto Mute functions is set by the capacitor on the ACAP pin. The AGC cannot be used if the Auto Gain or Auto Mute function is enabled.

$$T_{\text{attack}} \approx 0,1504 \times V_{\text{peak}}$$

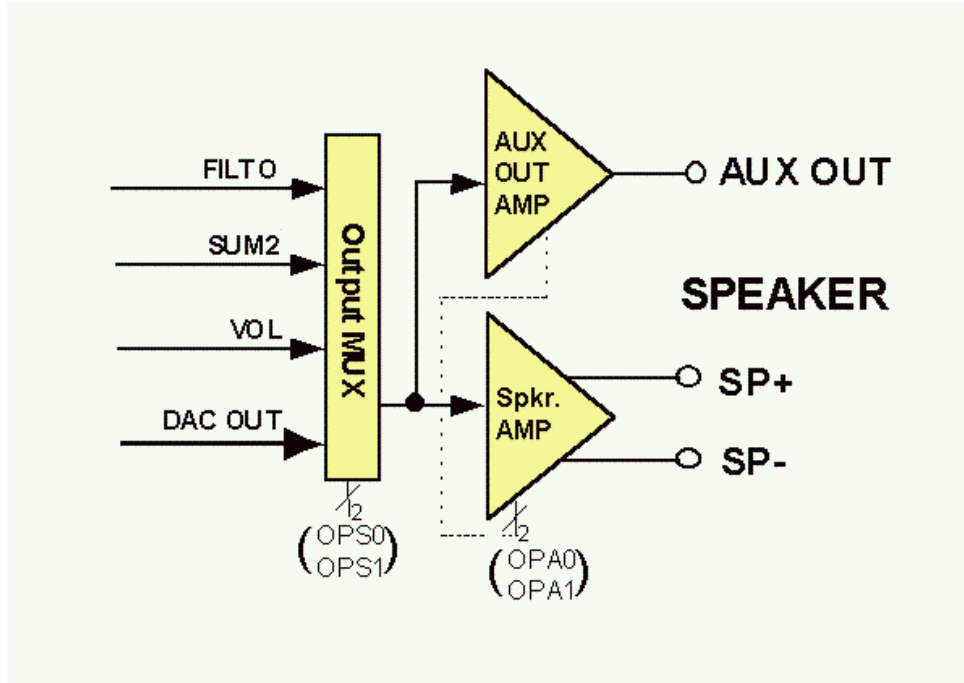
$$T_{\text{release}} \approx 6.58 \times V_{\text{peak}}$$

$$@ C_{\text{attcap}} = 4.7 \mu\text{F}$$





SPEAKER AND AUX OUT DESCRIPTION



OPS1	OPS0	SOURCE
0	0	VOL
0	1	DAC OUT
1	0	FILTO
1	1	SUM2

OPA1	OPA0	SPKR DRIVE	AUX OUT
0	0	Power Down	Power Down
0	1	3.6 V _{P-P} @ 150 Ω	Power Down
1	0	23.5 mWatt @ 8 Ω	Power Down
1	1	Power Down	1 V _{P-P} Max @ 5 KΩ

15	14	13	12	11	10	9	8	7	6	5	4	3	2	1	0		CFG0
CIG2	CIG1	CIG0	AXG1	AXG0	AXPD	INS0	OSPD	AMT0	CDI1	CDI0	OPS1	OPS0	OPA1	OPA0	VLPD		CFG0
15	14	13	12	11	10	9	8	7	6	5	4	3	2	1	0		CFG1
VLS1	VLS0	VOL2	VOL1	VOL0	S1S1	S1S0	S1M1	S1M0	S2M1	S2M0	FLS0	FLD1	FLD0	FLPD	AGPD		CFG1
15	14	13	12	11	10	9	8	7	6	5	4	3	2	1	0		CFG2
X	X	X	CKD2	COG2	COG1	COG0	CKDV	MUTE	HPF0	HSR0	I2S0	LAW1	LAW0	DAPD	ADPD		CFG2

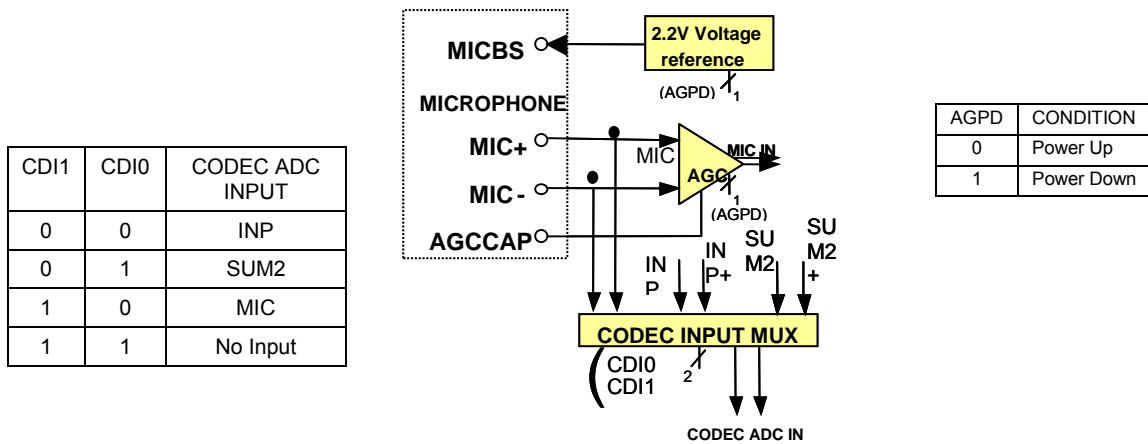


MICROPHONE INPUTS

The microphone inputs transfer the voice signal to the on-chip AGC preamplifier, or directly to the CODEC INPUT MUX, depending on the selected path. The AGC circuit has a range of 45 dB in order to deliver a nominal 694 mV p-p into the storage array from a typical electret microphone output of 2 to 20 mV p-p. The input impedance is typically 10kΩ.

The MICBS pin provides a 2.2V bias voltage for the external microphone only when the AGC is powered up. Using this regulated bias voltage results in less supply noise coupling into the MIC+ and MIC- pins compared to the situation in which the external microphone is powered up through the power supply. It also saves current during power down.

The ACAP pin provides the capacitor connection for setting the parameters of the microphone AGC circuit. It should have a 4.7 μF capacitor connected to ground. It cannot be left floating. This is because the capacitor is also used in the playback mode for the AutoMute circuit or when signal compression is chosen (AMT0 set). The AutoMute circuit reduces the amount of noise present in the output during quiet pauses. Tying the ACAP pin to ground gives maximum gain. Tying it to VCCA gives minimum gain for the AGC amplifier, but cancels the AutoMute function.



15	14	13	12	11	10	9	8	7	6	5	4	3	2	1	0		CFG0
CIG2	CIG1	CIG0	AXG1	AXG0	AXPD	INS0	OSPD	AMT0	CDI1	CDI0	OPS1	OPS0	OPA1	OPA0	VLPD		
15	14	13	12	11	10	9	8	7	6	5	4	3	2	1	0		CFG1
VLS1	VLS0	VOL2	VOL1	VOL0	S1S1	S1S0	S1M1	S1M0	S2M1	S2M0	FLS0	FLD1	FLD0	FLPD	AGPD		
15	14	13	12	11	10	9	8	7	6	5	4	3	2	1	0		CFG2
X	X	X	CKD2	COG2	COG1	COG0	CKDV	MUTE	HPF0	HSR0	I2S0	LAW1	LAW0	DAPD	ADPD		



DIGITAL MODE

In the Digital Mode, it is important to understand that each group of digital operations must be preceded by the Digital Mode command (0XC0) and followed by the Exit Digital Mode command (0X40). No delay is required after these commands. Note that after any of these operations is completed, the device is powered down. Therefore, it will be required to issue the normal Power-Up command (0X80h) with a power-up delay (T_{pu}) before any analog operations can be performed following digital commands.

WRITING DATA

The Digital Write function allows the user to select a portion of the array to be used as digital memory. The partition between analog and digital memory is left up to the user. A page can only be either Digital or Analog, but not both. The minimum addressable block of memory in the digital mode is 1 block, or 64 bits, when reading or writing. The address sent to the device is the 11-bit row (or page) address with the 5-bit scan (or block) address. However, one must send a Digital Erase before attempting to change digital data on a page. This means that even when changing only one of the 32 blocks, all 32 will need to be rewritten to the page.

After the address is entered, the data is sent in one-byte packets followed by an I²C acknowledge generated by the chip. Data for each block is sent MSB first. The data transfer is ended when the master generates an I²C STOP condition. If only a partial block of data is sent before the STOP condition, zero is "written" in the remaining bytes; that is, they are left at the erase level. An erased page (row) will be read as all zeros. The device can buffer up to two blocks of data.

If the device is unable to accept more data due to the internal write process, the SCL line will be held LOW indicating, to the master, to halt data transfer. If the device encounters an overflow condition, it will respond by generating an interrupt condition and an I²C Not Acknowledge signal after the last valid byte of data. Once data transfer is terminated, the device needs up to two cycles (64 us) to complete its internal write cycle before another command is sent. If an active command is sent before the internal cycle is finished, the I5216 will hold SCL LOW until the current command is finished.

READING DATA

The Digital Read command utilizes the combined I²C command format. That is, a command is sent to the chip using the write data direction. Then the data direction is reversed by sending a repeated start condition and the slave address with R/W set to one. After this, the slave device (I5216) begins to send data to the master until the master generates a Not Acknowledge. If the part encounters an overflow condition, the INT pin is pulled LOW. No other communication with the master is possible due to the master generating ACK signals.

As with Digital Write, Digital Read can be done a "block" at a time. Thus, only 64 bits need to be read in each Digital Read command sequence.

ERASING DATA

The Digital Erase command can only erase an entire page at a time. This means that the D0 or D1 command only needs to include the 11-bit page address; the 5-bit for block address are left at 00000.

Once a page has been erased, each block may be written separately, 64 bits at a time. But, if a block has been previously written, then the entire page of 2048 bits must be erased in order to re-write (or change) a block.



A sequence might look like:

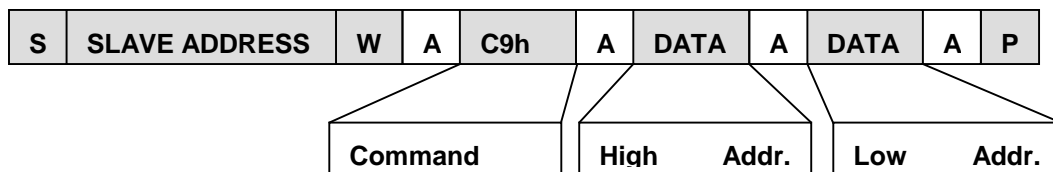
- read the entire page
- store it in RAM
- change the desired bit(s)
- erase the page
- write the new data from RAM to the entire page

EXAMPLE COMMAND SEQUENCES

Graphical representations of these operations follow each description.

WRITE DIGITAL DATA: A single byte may be written to the Command Byte Register in order to power up the device, start or stop Analog Record (if no address information is needed), or do a Message Cueing function. For the normal digital addressed mode, the Registers are loaded as follows:

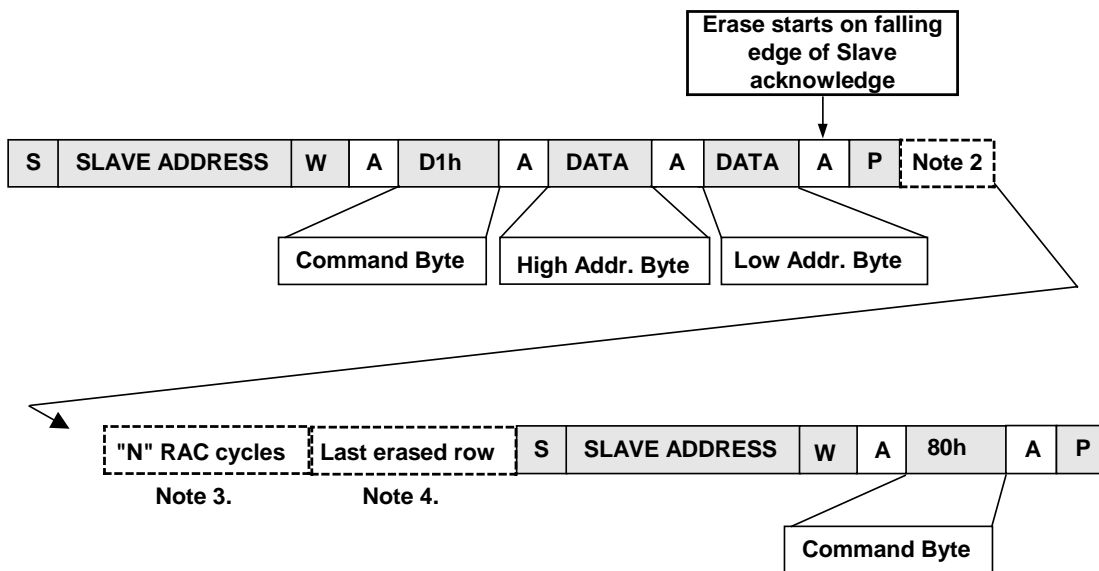
1. Host executes I²C START.
2. Send Slave Address with R/W bit = "0" (Write).
3. Slave responds back with an ACK.
4. Wait for SCL HIGH.
5. Send Digital Mode command – 0X80h, 0XC0h
6. Slave responds with an ACK.
7. Wait for SCL HIGH.
8. Send Slave Address command – 0X80h
9. Slave responds with an ACK.
10. Wait for SCL HIGH.
11. Host sends a byte to Slave - (Command Byte = 00C9h).
12. Slave responds with an ACK.
13. Wait for SCL HIGH.
14. Host sends a byte to Slave - (High Address Byte).
15. Slave responds with an ACK.
16. Wait for SCL HIGH.
17. Host sends a byte to Slave - (Low Address Byte).
18. Slave responds with an ACK
19. Wait for SCL HIGH.
20. Host sends a byte to Slave - (First 8 bits of digital information).
21. Slave responds with an ACK.
22. Wait for SCL HIGH.
23. Steps 19, 20 and 21 are repeated until last byte is sent and acknowledged.
24. Send Exit Digital Mode Command – 0X80h, 0X40h Host executes I²C STOP.





ERASE DIGITAL DATA: To erase digital information the following is done:

1. Host executes I²C START.
2. Send Slave Address with R/W bit = "0" (Write).
3. Slave responds back with an ACK.
4. Wait for SCL HIGH.
5. Send Digital Mode command – 0X80h, 0XC0h
6. Slave responds with an ACK.
7. Wait for SCL HIGH.
8. Send Slave Address command – 0X80h
9. Slave responds with an ACK.
10. Wait for SCL HIGH.
11. Host sends a Digital Erase command to Slave - (Command Byte = 0XD1h).
12. Slave responds with an ACK.
13. Wait for SCL HIGH.
14. Host sends a byte to Slave - (High Address Byte = 0000h).
15. Slave responds with an ACK.
16. Wait for SCL HIGH.
17. Host sends a byte to Slave - (Low Address Byte = 0XA0h). Erase row 5 in this example.
18. Slave responds with an ACK
19. Wait for SCL HIGH.
20. Host executes I²C STOP.
21. Host waits for RAC\ to go LOW and then back HIGH.
22. Host executes I²C START.
23. Send Exit Digital Mode Command – 0X80h, 0X40h
24. Slave responds with an ACK.
25. Wait for SCL HIGH
26. Host executes I²C STOP.





Notes:

1. Erase operations must be addressed on a Row boundary. The 5 LSB bits of the Low Address Byte will be ignored.
2. I²C bus is released while erase proceeds. Other devices may use the bus until it is time to execute the STOP command that causes the end of the Erase operation.
3. Host processor must count RAC cycles to determine where the chip is in the erase process, one row per RAC cycle. RAC pulses LOW for 0.25 microsecond at the end of each erased row. The erase of the "next" row begins with the rising edge of RAC. See the Digital Erase RAC timing diagram on page 46.
4. When the erase of the last desired row begins, the following STOP command (Command Byte = 80 hex) must be issued. This command must be completely given, including receiving the ACK from the Slave before the RAC pin goes HIGH .25 microseconds before the end of the row.

PIN DETAILS

DIGITAL I/O PINS:

SCL (SERIAL CLOCK LINE)

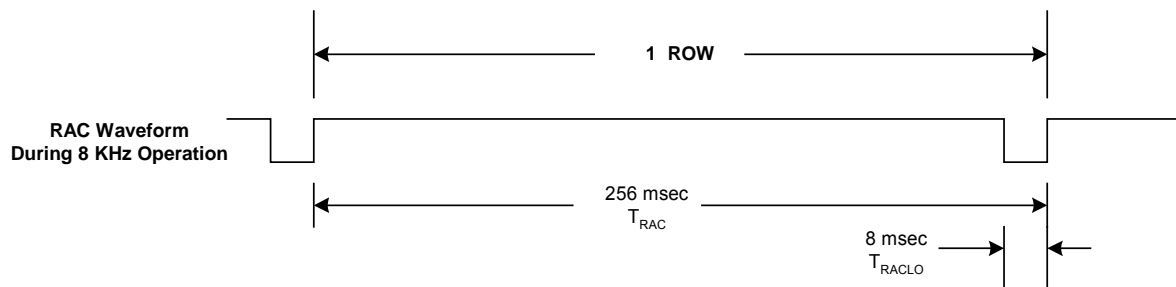
The Serial Clock Line is a bi-directional clock line. It is an open-drain line requiring a pull-up resistor to Vcc. It is driven by the "master" chips in a system and controls the timing of the data exchanged over the Serial Data Line.

SDA (SERIAL DATA LINE)

The Serial Data Line carries the data between devices on the I²C interface. Data must be valid on this line when the SCL is HIGH. State changes can only take place when the SCL is LOW. This is a bi-directional line requiring a pull-up resistor to Vcc.

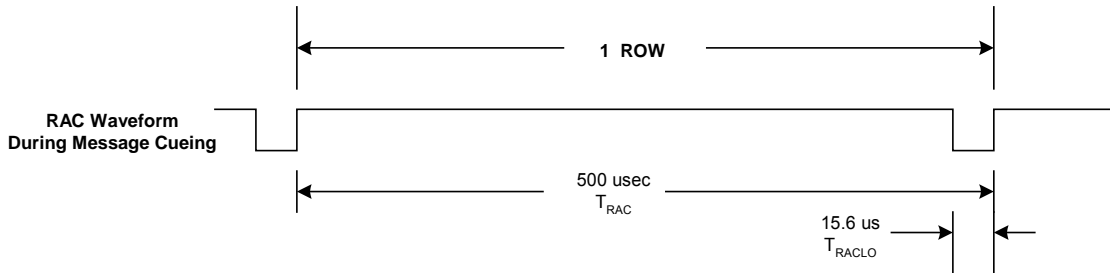
RAC (ROW ADDRESS CLOCK)

RAC is an open drain output pin that normally marks the end of a row. At the 8 kHz sample frequency the duration of this period is 256 ms. there are 1888 pages of memory in the Winbond I5216 device. RAC stays HIGH for 248 ms and goes LOW for the remaining 8 ms before it reaches the end of the page.

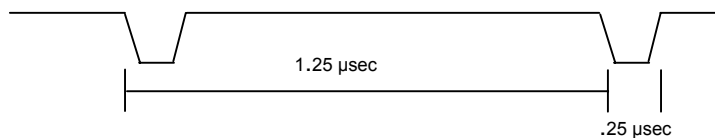




The RAC pin remains HIGH for 500 μsec and stays LOW for 15.6 μsec under the Message Cueing mode. See the [Timing Parameters](#) table on page 55 for RAC timing information at other sample rates. When a record command is first initiated, the RAC pin remains HIGH for an extra T_{RACLO} period in order to load sample and hold circuits internal to the device. The RAC pin can be used for message management techniques.



RAC Waveform
During Digital Erase



INT (Interrupt)

INT is an open drain output pin. The Winbond I5216 Interrupt pin goes LOW and stays LOW when an Overflow (OVF) or End of Message (EOM) marker is detected. Each operation that ends in an EOM or OVF generates an interrupt, including the message cueing cycles. The interrupt is cleared by a READ STATUS instruction that gives a status byte out the SDA line.

MCLK (Master Clock Input)

The Master clock input for the Winbond I5216 product has an internal pull-down device. Normally, the Winbond I5216 ChipCorder section is operated at one of four internal rates selected for its internal oscillator by the Sample Rate Select bits. If the internal oscillator is powered down (configuration bit OSPD set to ONE), the device is clocked through the MCLK pin as shown in the section [I5216 Analog Structure \(right half\)](#) description on page 36.

**Master Clock Input Table for ChipCorder Section**

F _{MCLK}	FLD1	FLD0	CKD2	CKDV	Sample Rate	Filter Knee
13.824 MHz	0	0	0	0	8.0 kHz	3.7 kHz
20.48 MHz	0	0	0	1	8.0 kHz	3.7 kHz
27.648 MHz	0	0	1	0	8.0 kHz	3.7 kHz
40.96 MHz	0	0	1	1	8.0 kHz	3.7 kHz
13.824 MHz	0	1	0	0	6.4 kHz	2.9 kHz
20.48 MHz	0	1	0	1	6.4 kHz	2.9 kHz
27.648 MHz	0	1	1	0	6.4 kHz	2.9 kHz
40.96 MHz	0	1	1	1	6.4 kHz	2.9 kHz
13.824 MHz	1	0	0	0	5.3 kHz	2.5 kHz
20.48 MHz	1	0	0	1	5.3 kHz	2.5 kHz
27.648 MHz	1	0	1	0	5.3 kHz	2.5 kHz
40.96 MHz	1	0	1	1	5.3 kHz	2.5 kHz
13.824 MHz	1	1	0	0	4.0 kHz	1.8 kHz
20.48 MHz	1	1	0	1	4.0 kHz	1.8 kHz
27.648 MHz	1	1	1	0	4.0 kHz	1.8 kHz
40.96 MHz	1	1	1	1	4.0 kHz	1.8 kHz

Because the anti-aliasing and smoothing filters track the Sample Rate Select bits, one must, for optimum performance, maintain the external clock at one of the four possible frequencies shown in the table for [Analog Structure \(Right Half\)](#) description on page 36 *AND* set the Sample Rate Configuration bits to one of the four values in order to properly set the filters to their correct cutoff frequency as described in [Analog Structure \(Right Half\)](#) description on page 36. The duty cycle on the input clock is not critical when CKD2 is set to ONE, as the clock is immediately divided by two (internally). If the MCLK is not used, this input should be connected to V_{SSD}.

A0, A1 (Address Pins)

These two pins are normally strapped for the desired address that the Winbond I5216 will have on the I²C serial interface. If there are four of these devices on the bus, then each must be strapped differently in order to allow the master device to address them individually. The possible addresses range from 80h to 87h, depending upon whether the device is being written to, or read from, by the host.

The Winbond I5216 has a 7-bit slave address of which only A0 and A1 are pin programmable. The eighth bit (LSB) is the R/W bit. Thus, the address will be 1000 0xy0 or 1000 0xy1

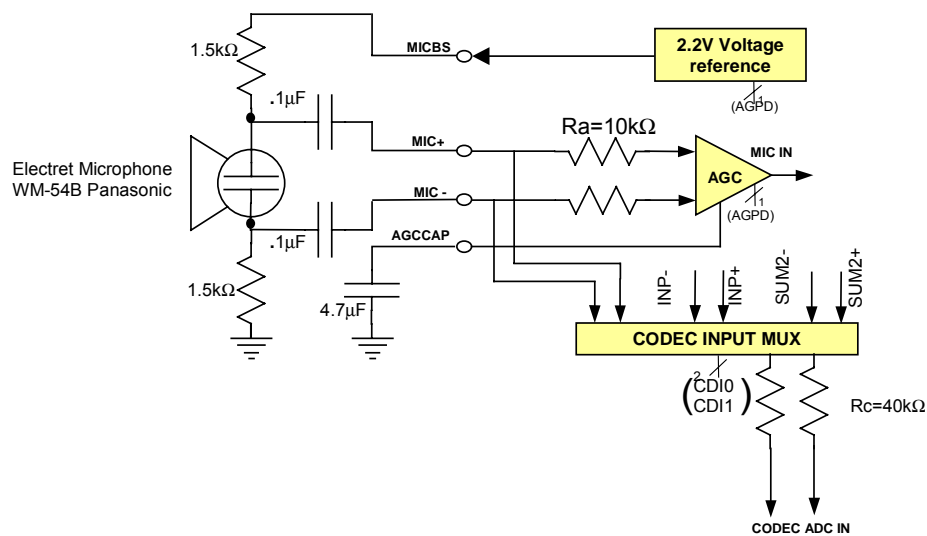


ANALOG I/O PINS

MIC+, MIC- (Microphone Input +/-)

The microphone input transfers the voice signal to the on-chip AGC preamplifier or directly to the CODEC A/D INPUT MUX, depending on the selected path. The AGC circuit has a range of 45 dB in order to deliver a nominal 694 mV p-p into the storage array from a typical electric microphone output of 2 to 20 mV p-p. The input impedance is typically 20 k Ω differential and 13.3 k Ω differential when the CODEC INPUT MUX MICIN path is selected.

MICROPHONE INPUT



$$f_{-3dB} = \frac{1}{2 \cdot \pi \cdot R_a \cdot C_{COUPLE}}$$

ACAP (AGC Capacitor)

This pin provides the capacitor connection for setting the parameters of the microphone AGC circuit. It should have a 4.7 μ F capacitor connected to ground. It cannot be left floating. This is because the capacitor is also used in the playback mode for the AutoMute circuit or when signal compression is chosen (AMT0 is set to ONE). This circuit reduces the amount of noise present in the output during quiet pauses. Tying this pin to ground gives maximum gain. Tying it to V_{CCA} gives minimum gain for the AGC amplifier, but cancels the AutoMute function.

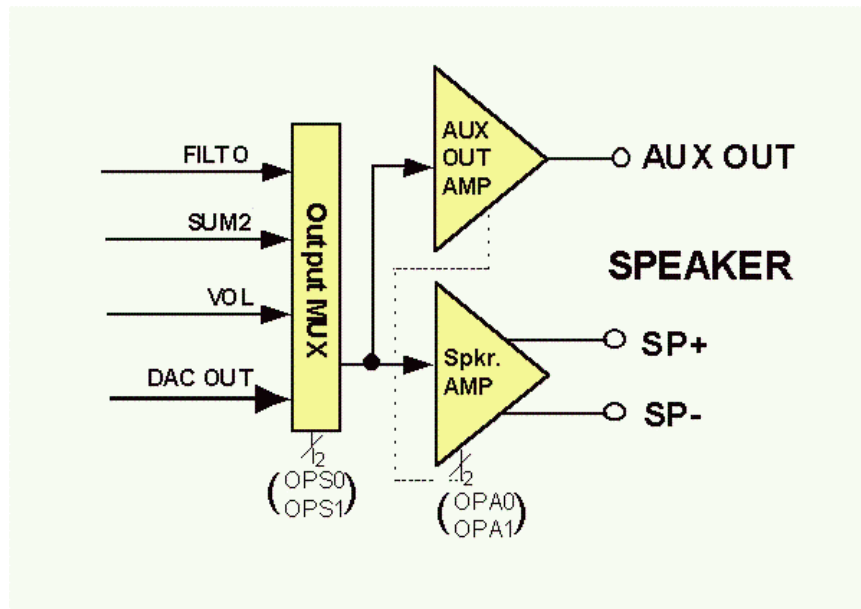


SP +, SP- (Speaker +/-)

This is the speaker differential output circuit. It is designed to drive an 8Ω speaker connected across the speaker pins, up to a maximum of 23.5 mW RMS power. This stage has two selectable gains, 1.32 and 1.6, which can be chosen through the configuration registers. These pins are biased to approximately 1.2 VDC and, if used single-ended, must be capacitively coupled to their load. Do **NOT** ground the unused pin.

AUX OUT (Auxiliary Output)

The AUX OUT is an additional audio output pin to be used, for example, to drive the speaker circuit in a "car kit." It drives a minimum load of 5 kΩ and up to a maximum of 1 V p-p. The AC signal is superimposed on approximately 1.2 VDC bias and must be capacitively coupled to the load.



OPS1	OPS0	SOURCE
0	0	VOL
0	1	DAC OUT
1	0	FILT0
1	1	SUM2

OPA1	OPA0	SPKR DRIVE	AUX OUT
0	0	Power Down	Power Down
0	1	3.6 V _{P-P} @ 150 Ω	Power Down
1	0	23.5 mWatt @ 8 Ω	Power Down
1	1	Power Down	1 V _{P-P} Max @ 5 KΩ

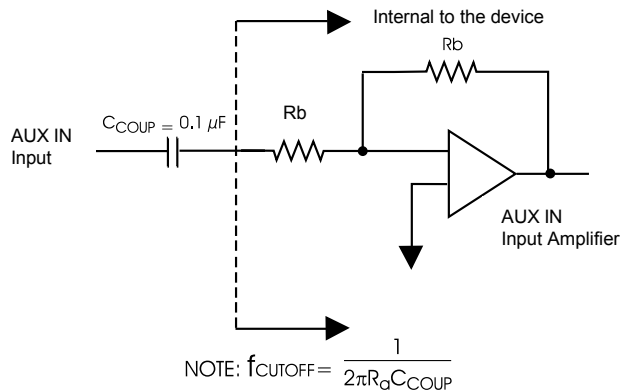
15	14	13	12	11	10	9	8	7	6	5	4	3	2	1	0		
CIG2	CIG1	CIG0	AXG1	AXG0	AXPD	INS0	OSPD	AMT0	CDI1	CDI0	OPS1	OPS0	OPA1	OPA0	VLPD	CFG0	
15	14	13	12	11	10	9	8	7	6	5	4	3	2	1	0		
VLS1	VLS0	VOL2	VOL1	VOL0	S1S1	S1S0	S1M1	S1M0	S2M1	S2M0	FLS0	FLD1	FLD0	FLPD	AGPD	CFG1	
15	14	13	12	11	10	9	8	7	6	5	4	3	2	1	0		
X	X	X	CKD2	COG2	COG1	COG0	CKDV	MUTE	HPF0	HSR0	I2S0	LAW1	LAW0	DAPD	ADPD	CFG2	



AUX IN (Auxiliary Input)

The AUX IN is an additional audio input to the Winbond I5216, such as from the microphone circuit in a mobile phone “car kit.” This input has a nominal 694 mV p-p level at its minimum gain setting (0 dB). (See *Aux In Amplifier Gain Settings Table* below). Additional gain is available in 3 dB steps (controlled by the I²C interface) up to 9 dB.

AUX IN INPUT MODES



Gain Setting	Resistor Ratio (Rb/Ra)	Gain	Gain ⁽¹⁾ (dB)
00	40.1 / 40.1	1.0	0
01	47.0 / 33.2	1.414	3
10	53.5 / 26.7	2.0	6
11	59.2 / 21	2.82	9

AXPD	Condition
0	Power Up
1	Power Down

AUX IN AMPLIFIER GAIN SETTINGS

0TLP Input V _{P-P} ⁽²⁾	CFG0		Gain ⁽¹⁾	Array In/Out V _{P-P}	Speaker Out V _{P-P} ⁽³⁾
	AXG1	AXG0			
0.694	0	0	1.00	0.694	0.694
0.491	0	1	1.41	0.694	0.694
0.347	1	0	2.00	0.694	0.694
0.245	1	1	2.82	0.694	0.694

1. Gain from AUX IN to ARRAY IN
2. 0TLP Input is the reference Transmission Level Point that is used for testing. This level is typically 3 dB below clipping
3. Differential



POWER AND GROUND PINS

V_{CCA} , V_{CCD} (Voltage Inputs)

To minimize noise, the analog and digital circuits in the Winbond I5216 device use separate power busses. These +3 V busses lead to separate pins. Tie the V_{CCD} pins together as close as possible, and decouple both supplies as near to the package as possible.

V_{SSA} , V_{SSD} (Ground Inputs)

The Winbond I5216 series utilizes separate analog and digital ground busses. The analog ground (V_{SSA}) pins should be tied together as close to the package as possible, and connected through a low-impedance path to power supply ground. The digital ground (V_{SSD}) pin should be connected through a separate low impedance path to power supply ground. These ground paths should be large enough to ensure that the impedance between the V_{SSA} pins and the V_{SSD} pin is less than 3Ω . The backside of the die is connected to V_{SSD} through the substrate resistance. In a chip-on-board design, the die attach area must be connected to V_{SSD} .

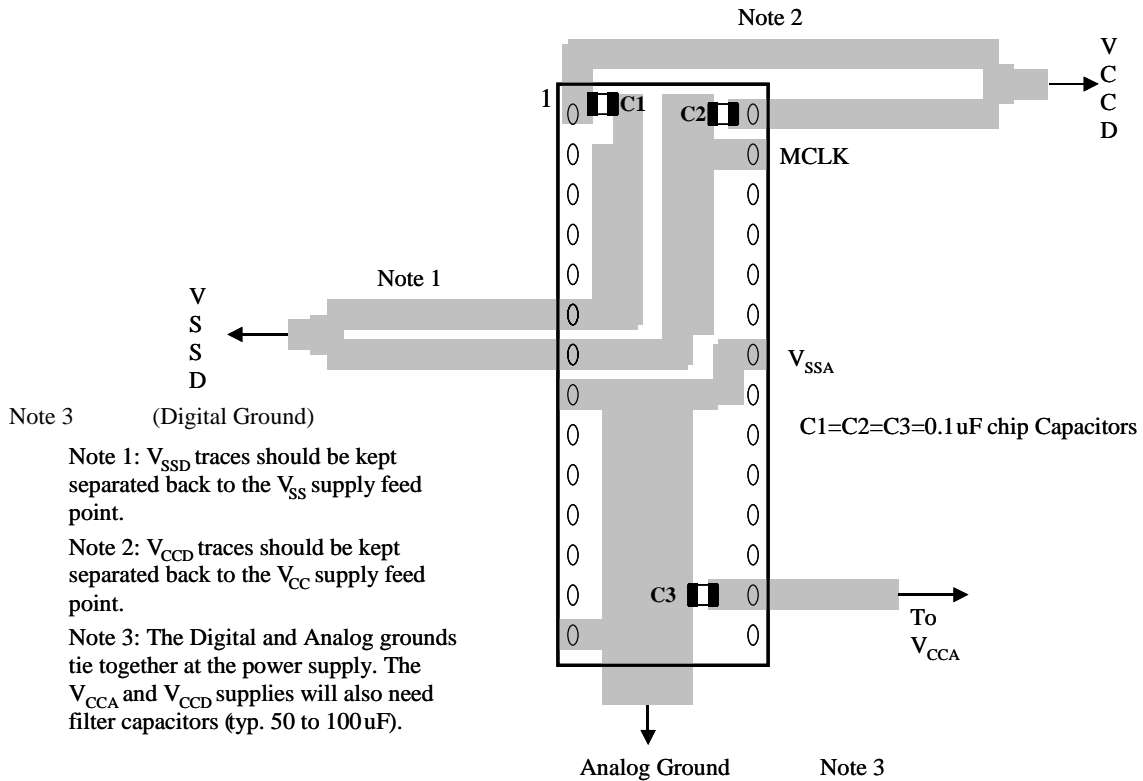
NC (No Connect)

These pins should not be connected to the board at any time. Connection of these pins to any signal, ground or V_{CC} , may result in incorrect device behavior or cause damage to the device.



SAMPLE PC LAYOUT FOR PDIP

The PDIP package is illustrated from the top. PC board traces and the three chip capacitors are on the bottom side of the board.





ELECTRICAL CHARACTERISTICS

ABSOLUTE MAXIMUM RATINGS (Packaged Parts) ⁽¹⁾

Condition	Value
Junction temperature	150 ⁰ C
Storage temperature range	-65 ⁰ C to +150 ⁰ C
Voltage Applied to any pin	(V _{SS} - 0.3V) to (V _{CC} + 0.3V)
Voltage applied to any pin (Input current limited to +/-20 mA)	(V _{SS} - 1.0V) to (V _{CC} + 1.0V)
Lead temperature (soldering - 10 seconds)	300 ⁰ C
V _{CC} - V _{SS}	-0.3V to +5.5V

1. Stresses above those listed may cause permanent damage to the device. Exposure to the absolute maximum ratings may affect device reliability. Functional operation is not implied at these conditions.

ABSOLUTE MAXIMUM RATINGS (Die) ⁽¹⁾

Condition	Value
Junction temperature	150 ⁰ C
Storage temperature range	-65 ⁰ C to +150 ⁰ C
Voltage Applied to any pad	(V _{SS} - 0.3V) to (V _{CC} + 0.3V)
V _{CC} - V _{SS}	-0.3V to +5.5V

1. Stresses above those listed may cause permanent damage to the device. Exposure to the absolute maximum ratings may affect device reliability. Functional operation is not implied at these conditions.

OPERATING CONDITIONS (Packaged Parts)

Condition	Value
Commercial operating temperature range ⁽¹⁾	0 ⁰ C to +70 ⁰ C
Extended operating temperature ⁽¹⁾	-20 ⁰ C to +70 ⁰ C
Industrial operating temperature ⁽¹⁾	-40 ⁰ C to +85 ⁰ C
Supply voltage (V _{CC}) ⁽²⁾	+2.7V to +3.3V
Ground voltage (V _{SS}) ⁽³⁾	0V

1. Case temperature

2. V_{CC} = V_{CCA} = V_{CCD}

3. V_{SS} = V_{SSA} = V_{SSD}



OPERATING CONDITIONS (Die)

Condition	Value
Die operating temperature range ⁽¹⁾	0°C to +50°C
Supply voltage (V _{CC}) ⁽²⁾	+2.7V to +3.3V
Ground voltage (V _{SS}) ⁽³⁾	0V

1. Case temperature 2. V_{CC} = V_{CCA} = V_{CCD} 3. V_{SS} = V_{SSA} = V_{SSD}

General Parameters

Symbol	Parameters	Min ⁽²⁾	Typ ⁽¹⁾	Max ⁽²⁾	Units	Conditions
V _{IL}	Input Low Voltage			V _{CC} x 0.2	V	
V _{IH}	Input High Voltage	V _{CC} x 0.8			V	
V _{OL}	SCL, SDA, SDIO Output Low Voltage			0.4	V	I _{OL} = 3 mA
V _{OL1}	RAC, INT Output Low Voltage			0.4	V	I _{OL} = 1 mA
V _{OH}	Output High Voltage	V _{CC} - 0.4			V	I _{OL} = -10 μA
I _{CC}	V _{CC} Current (Operating)					
	- Playback & A/D + D/A		30	50	mA	No Load ⁽³⁾
	- Record & A/D + D/A		36	56	mA	No Load ⁽³⁾
	- CODEC A/D + D/A		20	30	mA	No Load ⁽³⁾
I _{SB}	V _{CC} Current (Standby)		1	10	μA	(3)
I _{IL}	Input Leakage Current			+/-1	μA	

1. Typical values: T_A = 25°C and V_{CC} = 3.0 V.
2. All min/max limits are guaranteed by Winbond via electrical testing or characterization. Not all specifications are 100 percent tested.
3. V_{CCA} and V_{CCD} summed together.

I5216 SERIES

Advanced Information
PRELIMINARY



TIMING PARAMETERS

Symbol	Parameters	Min ⁽²⁾	Typ ⁽¹⁾	Max ⁽²⁾	Units	Conditions
F _S	Sampling Frequency		8.0		kHz	(5)
			6.4		kHz	(5)
			5.3		kHz	(5)
			4.0		kHz	(5)
F _{CF}	Filter Knee					
	8.0 kHz (sample rate)		3.7		kHz	Knee Point ⁽³⁾⁽⁷⁾
	6.4 kHz (sample rate)		2.9		kHz	Knee Point ⁽³⁾⁽⁷⁾
	5.3 kHz (sample rate)		2.5		kHz	Knee Point ⁽³⁾⁽⁷⁾
T _{REC}	Record Duration					
	8.0 kHz (sample rate)		8.05		min	(6)
	6.4 kHz (sample rate)		10.06		min	(6)
	5.3 kHz (sample rate)		12.15		min	(6)
T _{PLAY}	Playback Duration					
	8.0 kHz (sample rate)		8.05		min	(6)
	6.4 kHz (sample rate)		10.06		min	(6)
	5.3 kHz (sample rate)		12.15		min	(6)
T _{PUD}	Power-Up Delay					
	8.0 kHz (sample rate)		1		msec	
	6.4 kHz (sample rate)		1		msec	
	5.3 kHz (sample rate)		1		msec	
T _{STOP OR PAUSE}	Stop or Pause					
	Record or Play					
	8.0 kHz (sample rate)		32		msec	
	6.4 kHz (sample rate)		40		msec	
	5.3 kHz (sample rate)		48		msec	
	4.0 kHz (sample rate)		64		msec	



TIMING PARAMETERS (CONT'D)

Symbol	Parameters	Min ⁽²⁾	Typ ⁽¹⁾	Max ⁽²⁾	Units	Conditions
T _{RAC}	RAC Clock Period					
	8.0 kHz (sample rate)		256		msec	(9)
	6.4 kHz (sample rate)		320		msec	(9)
	5.3 kHz (sample rate)		386		msec	(9)
T _{RACLO}	4.0 kHz (sample rate)		512		msec	(9)
	RAC Clock Low Time					
	8.0 kHz (sample rate)		8		msec	
	6.4 kHz (sample rate)		10		msec	
T _{RACM}	5.3 kHz (sample rate)		12.1		msec	
	4.0 kHz (sample rate)		16		msec	
	RAC Clock Period in Message Cueing Mode					
	8.0 kHz (sample rate)		500		msec	
TRACML	6.4 kHz (sample rate)		625		msec	
	5.3 kHz (sample rate)		750		msec	
	4.0 kHz (sample rate)		1000		msec	
	RAC Clock Low Time in Message Cueing Mode					
THD	8.0 kHz (sample rate)		15.6		msec	
	6.4 kHz (sample rate)		19.5		msec	
	5.3 kHz (sample rate)		23.4		msec	
	4.0 kHz (sample rate)		31.2		msec	
THD	Total Harmonic Distortion					@1 KHz at 0TLP, sample rate = 5.3 KHz
	AUX IN to ARRAY, ARRAY to SPKR		1 1	2 2	% %	



ANALOG PARAMETERS

MICROPHONE INPUT ⁽¹⁴⁾

Symbol	Parameters	Min ⁽²⁾	Typ ⁽¹⁾⁽¹⁴⁾	Max ⁽²⁾	Units	Conditions
V _{MIC+/-}	MIC +/- Input Voltage			300	mV	Peak-to-Peak ⁽⁴⁾⁽⁸⁾
V _{MIC (OTLP)}	MIC +/- input reference transmission level point (OTLP)		208		mV	Peak-to-Peak ⁽⁴⁾⁽¹⁰⁾
A _{MIC (GT)}	MIC +/- Gain Tracking		+/-0.1		dB	1 kHz, +3 to -40 dB OTLP Input
R _{MIC}	Microphone input resistance		10		kΩ	MIC- and MIC+ pins
A _{AGC}	Microphone AGC Amplifier Range	6		40	dB	Over 3-300 mV Range
V _{MICBS}	Microphone Bias Voltage		2.2		V	I _{MICBS} = 0.0 mA
R _{MICBS}	MICBS Output Resistance		700		Ω	

AUX IN ⁽¹⁴⁾

Symbol	Parameters	Min ⁽²⁾	Typ ⁽¹⁾⁽¹⁴⁾	Max ⁽²⁾	Units	Conditions
V _{AUX IN}	AUX IN Input Voltage			1.0	V	Peak-to-Peak (0 dB gain setting)
V _{AUX IN (OTLP)}	AUX IN (OTLP) Input Voltage		694.2		mV	Peak-to-Peak (0 dB gain setting)
A _{AUX IN (GA)}	AUX IN Gain Accuracy	-0.5		+0.5	dB	(11)
A _{AUX IN (GT)}	AUX IN Gain Tracking		+/-0.1		dB	1000 Hz, +3 to -45 dB OTLP Input, 0 dB setting
R _{AUX IN}	AUX IN Input Resistance		10 to 100		kΩ	Depending on AUX IN Gain

I5216 SERIES

Advanced Information
PRELIMINARY



SPEAKER OUTPUTS ⁽¹⁴⁾

Symbol	Parameters	Min ⁽²⁾	Typ ⁽¹⁾⁽¹⁴⁾	Max ⁽²⁾	Units	Conditions
V _{SPHG}	SP+/- Output Voltage (High Gain Setting)			3.6	V	Peak-to-Peak, differential load = 150Ω, OPA1, OPA0 = 01
R _{SPLG}	SP+/- Output Load Imp. (Low Gain)	8			Ω	OPA1, OPA0 = 10
R _{SPHG}	SP+/- Output Load Imp. (High Gain)	70	150		Ω	OPA1, OPA0 = 01
C _{SP}	SP+/- Output Load Cap.			100	pF	
V _{SPAG}	SP+/- Output Bias Voltage (Analog Ground)		1.2		VDC	
V _{SPDCO}	Speaker Output DC Offset			+/-100	mV DC	With CODEC D/A IN to Speaker.
PSRR	Power Supply Rejection Ratio		-55		dB	Measured with a 1 kHz, 100 mA _p sine wave input at V _{CC} and V _{CC} pins
F _R	Frequency Response (300-3400 Hz)	-0.25		+0.25	dB	With 0TLP input to AUX IN, 6 dB setting ⁽¹²⁾
P _{OUTLG}	Power Output (Low Gain Setting)	23.5			mW RMS	Differential load at 8Ω

AUX OUT ⁽¹⁴⁾

Symbol	Parameters	Min ⁽²⁾	Typ ⁽¹⁾⁽¹⁴⁾	Max ⁽²⁾	Units	Conditions
V _{AUX OUT}	AUX OUT – Maximum Output Swing			1.0	V	5kΩ Load
R _L	Minimum Load Impedance	5			KΩ	
C _L	Maximum Load Capacitance			100	pF	
V _{BIAS}	AUX OUT		1.2		VDC	



VOLUME CONTROL ⁽¹⁴⁾

Symbol	Parameters	Min ⁽²⁾	Typ ⁽¹⁾⁽¹⁴⁾	Max ⁽²⁾	Units	Conditions
A _{OUT}	Output Gain		-28 to 0		dB	8 steps of 4 dB, referenced to output
	Absolute Gain	-0.5		+0.5	dB	AUX IN 1.0 kHz 0TLP, 6 dB gain setting measured differentially at SP+/-

1. Typical values: $T_A = 25^{\circ}\text{C}$ and $V_{CC} = 3.0\text{V}$.
2. All min/max limits are guaranteed by Winbond via electrical testing or characterization. Not all specifications are 100 percent tested.
3. Low-frequency cut off depends upon the value of external capacitors (see Pin Descriptions).
4. Differential input mode. Nominal differential input is 208 mV p-p. (0TLP)
5. Sampling frequency can vary as much as $-6/+4$ percent over the industrial temperature and voltage ranges. For greater stability, an external clock can be utilized (see Pin Descriptions).
6. Playback and Record Duration can vary as much as $-6/+4$ percent over the industrial temperature and voltage ranges. For greater stability, an external clock can be utilized (see Pin Descriptions).
7. Filter specification applies to the low pass filter.
8. For optimal signal quality, this maximum limit is recommended.
9. When a record command is sent, $T_{RAC} = T_{RAC} + T_{RACLO}$ on the first page addressed.
10. The maximum signal level at any input is defined as 3.17 dB higher than the reference transmission level point. (0TLP) This is the point where signal clipping may begin.
11. Measured at 0TLP point for each gain setting. [See AUX IN table.](#)
12. 0TLP is the reference test level through inputs and outputs. [See AUX IN table.](#)
13. Referenced to 0TLP input at 1 kHz, measured over 300 to 3,400 Hz bandwidth.
14. For die, only typical values are applicable.



I²C INTERFACE TIMING

PARAMETER	SYMBOL	STANDARD-MODE		FAST-MODE		UNIT
		MIN.	MAX.	MIN.	MAX.	
SCL clock frequency	f _{SCL}	0	100	0	400	kHz
Hold time (repeated) START condition. After this period, the first clock pulse is generated	t _{HD; STA}	4.0	-	0.6	-	ns
LOW period of the SCL clock	t _{LOW}	4.7	-	1.3	-	ns
HIGH period of the SCL clock	t _{HIGH}	4.0	-	0.6	-	ns
Set-up time for a repeated START condition	t _{SU; STA}	4.7	-	0.6	-	ns
Data set-up time	t _{SU; DAT}	250	-	100 ⁽¹⁾	-	ns
Rise time of both SDA and SCL signals	t _r	-	1000	20 + 0.1C _b ⁽²⁾	300	ns
Fall time of both SDA and SCL signals	t _f	-	300	20 + 0.1C _b ⁽²⁾	300	ns
Set-up time for STOP condition	t _{SU; STO}	4.0	-	0.6	-	ns
Bus-free time between a STOP and START condition	t _{BUF}	4.7	-	1.3	-	ns
Capacitive load for each bus line	C _b	-	400	-	400	pF
Noise margin at the LOW level for each connected device (including hysteresis)	V _{nL}	0.1 V _{DD}	-	0.1 V _{DD}	-	V
Noise margin at the HIGH level for each connected device (including hysteresis)	V _{nH}	0.2 V _{DD}	-	0.2 V _{DD}	-	V

1. A Fast-mode I²C-interface device can be used in a Standard-mode I²C-interface system, but the requirement $t_{SU; DAT} \geq 250$ ns must then be met. This will automatically be the case if the device does not stretch the LOW period of the SCL signal.

If such a device does stretch the LOW period of the SCL signal, it must output the next data bit to the SDA line; $t_{r; max} + t_{SU; DAT} = 1000 + 250 = 1250$ ns (according to the Standard-mode I²C -interface specification) before the SCL line is released.

2. C_b = total capacitance of one bus line in pF. If mixed with HS mode devices, faster fall-times are allowed.

I5216 SERIES

Advanced Information

PRELIMINARY



CODEC PARAMETERS

The internal CODEC meets the specification of the ITU-T G.714 recommendation in 8 kHz sampling mode. This specification is verified, using the MIC+/- and SPEAKER+/- pins as analog input and output.

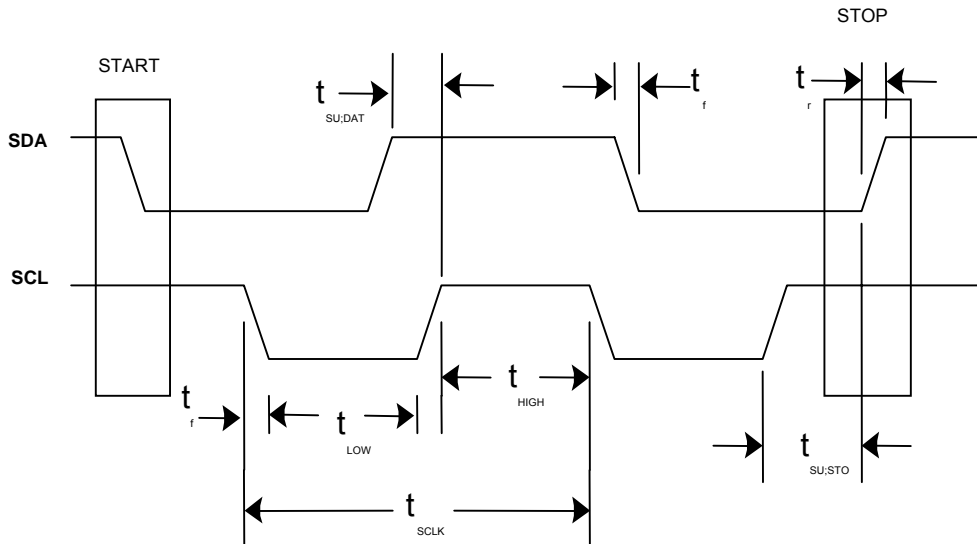
The CODEC μ /A-Law Compander meets the specification of the ITU-T G.711 μ /A-Law companding recommendation

Symbol	Parameters	Min	Typ	Max	Units	Conditions
L _{ABS}	Absolute level				V _{rms}	0 dBm0 = -2.5dBm @ 600 Ω
T _{XMAX}	Max. Transmit level		2		V _{pp}	Mic+/Mic- differential
f _{ch1}	High pass filter cut-off frequency		300		Hz	@WS=8kHz, MCLK=13.824MHz
f _{cl1}	Low pass filter cut-off frequency		3400		Hz	@WS=8kHz, MCLK=13.824MHz
f _{cl2}	Low pass filter cut-off frequency	4686	5037	5100	Hz	@ WS=44.1kHz – 48kHz, MCLK=20.48MHz
Δ f _{MCLK}	Master clock frequency accuracy	-500	0	+500	ppm	
D _{MCLK}	Master Clock Duty Cycle	48	50	52	%	

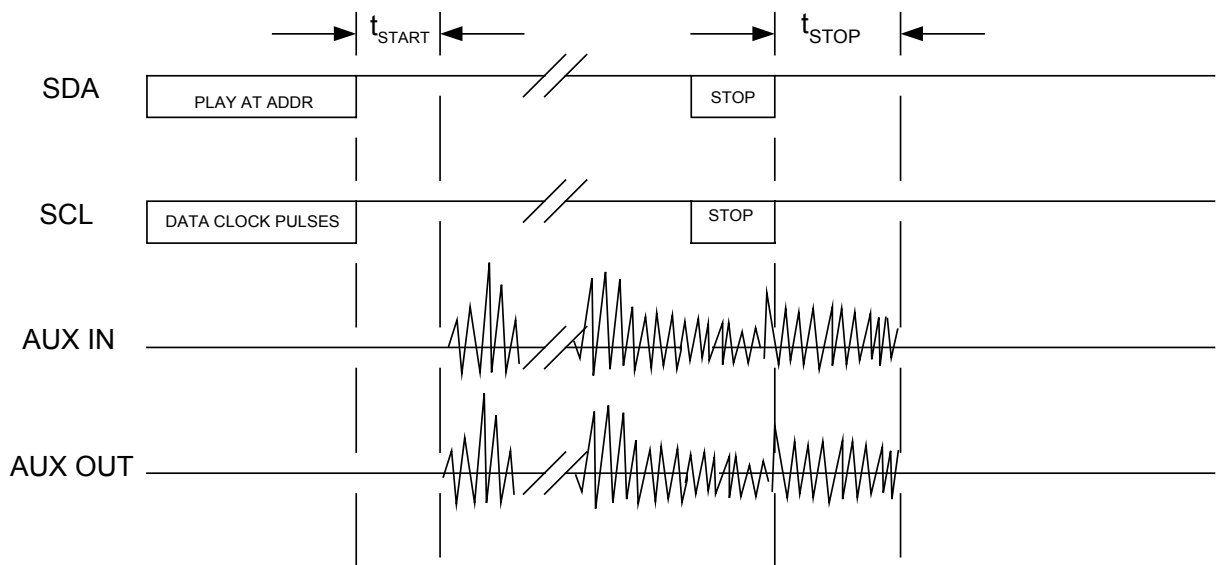


TIMING DIAGRAMS

I²C TIMING DIAGRAM

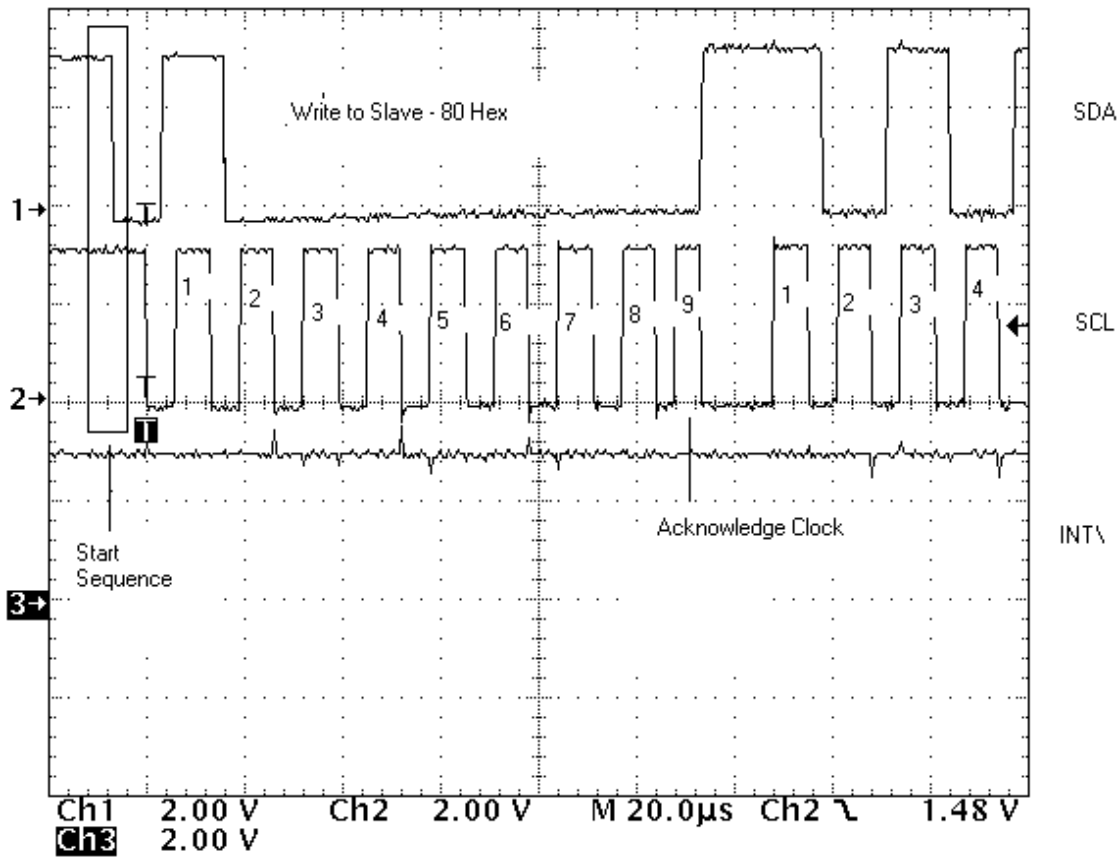


PLAYBACK AND STOP CYCLE



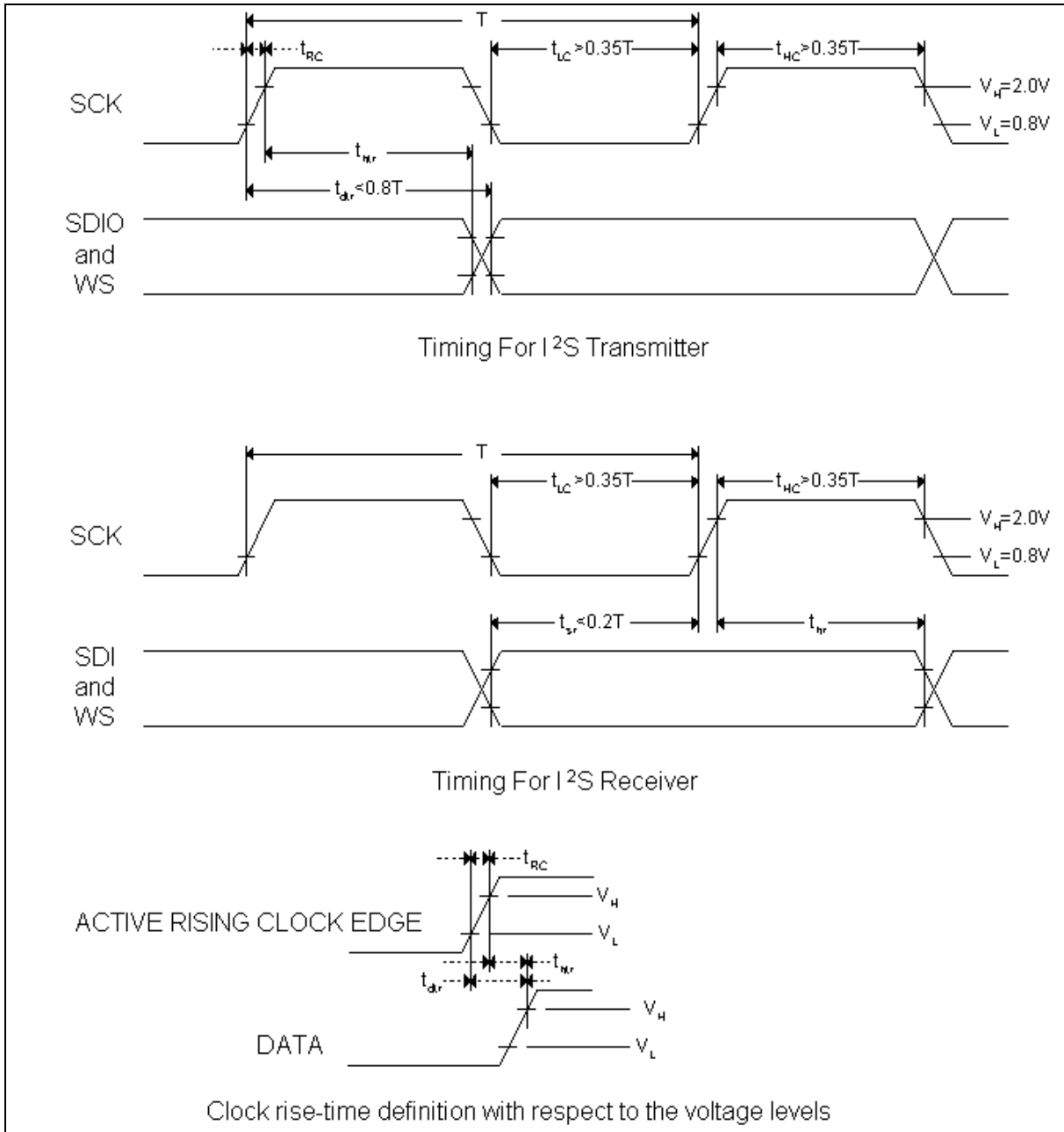


EXAMPLE OF POWER UP COMMAND





I²S TIMING DIAGRAMS

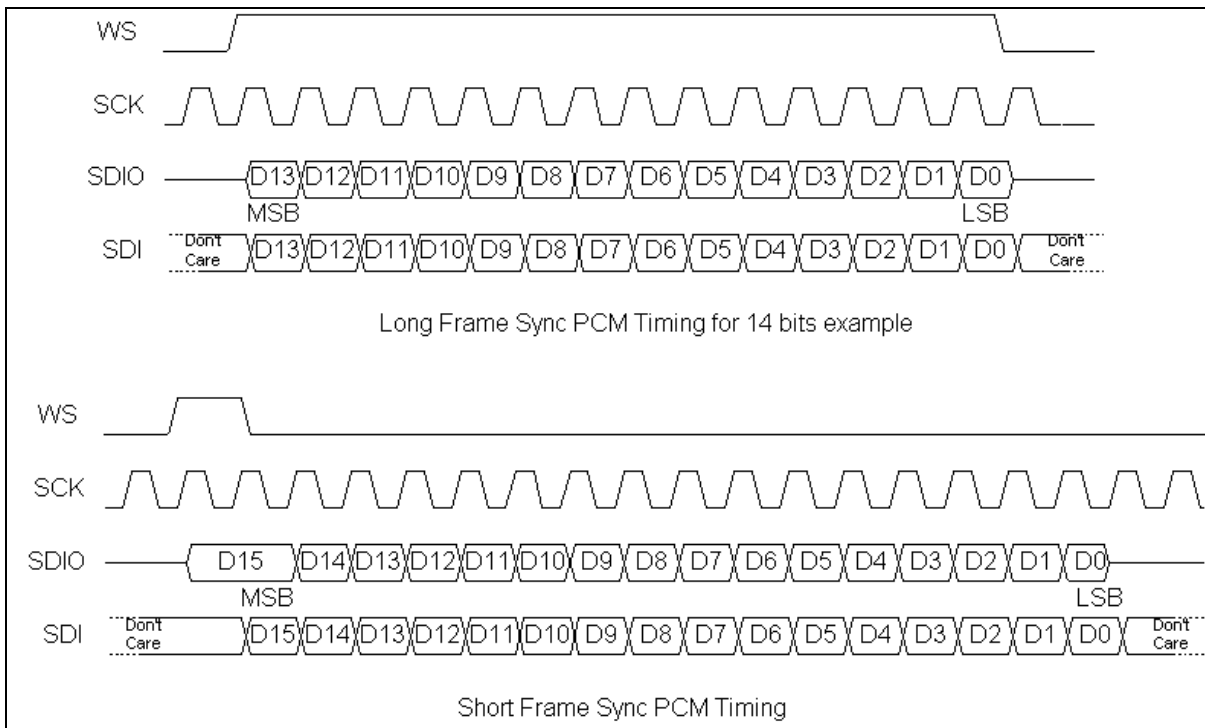




I²S PARAMETERS (all values in nano seconds)

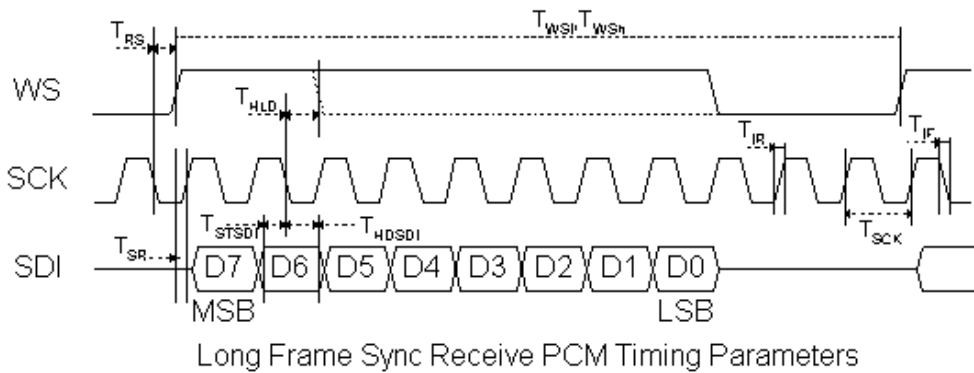
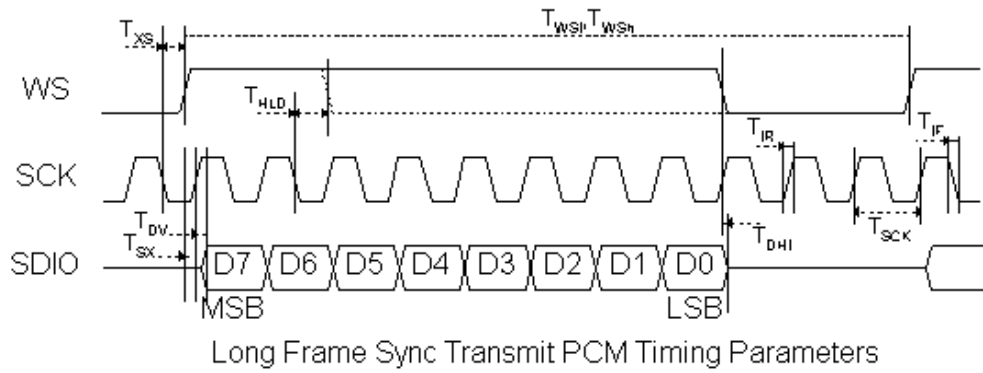
Parameter	Transmitter				Receiver				NOTES
	Lower Limit		Upper Limit		Lower Limit		Upper Limit		
	MIN	MAX	MIN	MAX	MIN	MAX	MIN	MAX	
Bit Clock period T	325				325				
High time t _{HC}		114				114			
Low time t _{LC}		114				114			
Rise time t _{RC}			49						
Delay t _{dtr}				260					
Hold time t _{htr}	100								
Set-up time t _{sr}						65			
Hold time t _{hr}						0			

PCM TIMING DIAGRAMS



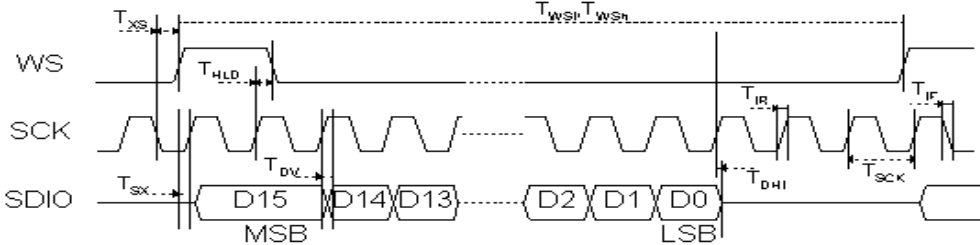


PCM TIMING DIAGRAMS (CONT'D)

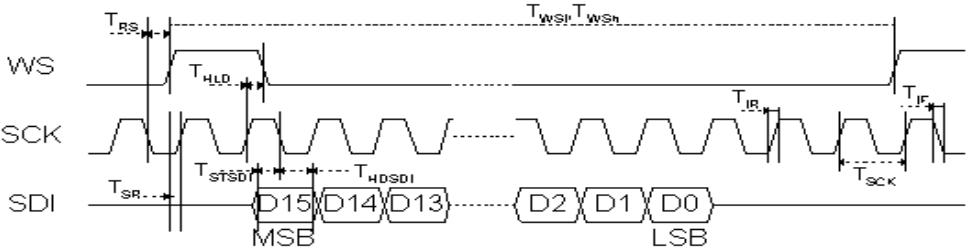




PCM TIMING DIAGRAMS (CON'TD)



Short Frame Sync Transmit PCM Timing Parameters



Short Frame Sync Receive PCM Timing Parameters



PCM PARAMETERS

PARAMETER	SYMBOL	CONDITIONS	MIN.	TYP.	MAX.	UNIT
Bit Clock Frequency	$1/T_{SCK}$	SCK	64	---	3072	kHz
Bit Clock Duty Cycle	D_C	SCK	---	50	---	%
Word Sync. Frequency	$1/T_{WSL}$	WS @ low rate	---	8000	---	Hertz
Word Sync. Frequency	$1/T_{WSH}$	WS @ high rate	44.1	---	48	kHz
Rise Time	T_{IR}	SCK,SDI,SDIO,WS	---	---	50	nsec
Fall Time	T_{IF}	SCK,SDI,SDIO,WS	---	---	50	nsec
Hold Time for 2 nd cycle of Bit clock	T_{HLD}	SCK low to WS low	50	---	---	nsec
Transmit Sync. Timing	T_{XS}	SCK to WS	20	---	---	nsec
	T_{SX}	WS to SCK	100	---	---	nsec
Receive Sync. Timing	T_{RS}	SCK to WS	20	---	---	nsec
	T_{SR}	WS to SCK	100	---	---	nsec
Setup Time for SDI valid	T_{STSDI}	---	20	---	---	nsec
Hold Time for SDI valid	T_{HSDI}	---	50	---	---	nsec
Output Delay Time for SDIO valid	T_{DV}	SCK to SDIO	10	---	120	nsec
Output Delay Time for SDIO High Impedance	T_{DHI}	SCK to SDIO	10	---	120	nsec



I²C SERIAL INTERFACE TECHNICAL INFORMATION

CHARACTERISTICS OF THE I²C SERIAL INTERFACE

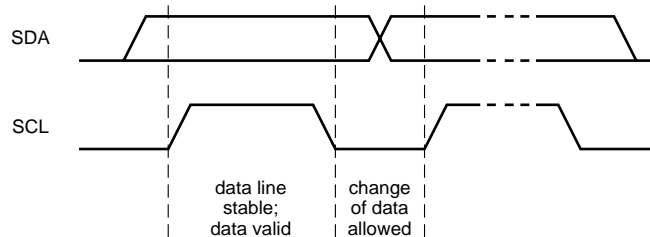
The I²C interface is for bi-directional, two-line communication between different ICs or modules. The two lines are a serial data line (SDA) and a serial clock line (SCL). Both lines must be connected to a positive supply via a pull-up resistor. Data transfer may be initiated only when the interface bus is not busy.

BIT TRANSFER

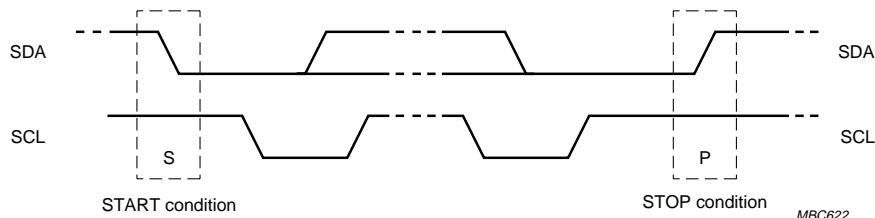
One data bit is transferred during each clock pulse. The data on the SDA line must remain stable during the HIGH period of the clock pulse, as changes in the data line at this time will be interpreted as a control signal.

START AND STOP CONDITIONS

Both data and clock lines remain HIGH when the interface bus is not busy. A HIGH-to-LOW transition of the data line while the clock is HIGH is defined as the start condition (S). A LOW-to-HIGH transition of the data line while the clock is HIGH is defined as the stop condition (P)



Bit transfer on the I²C-bus



Definition of START and STOP conditions



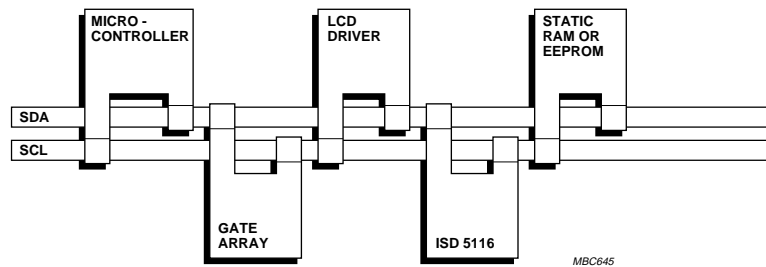
SYSTEM CONFIGURATION

A device generating a message is a 'transmitter'; a device receiving a message is the 'receiver'. The device that controls the message is the 'master' and the devices that are controlled by the master are the 'slaves'.

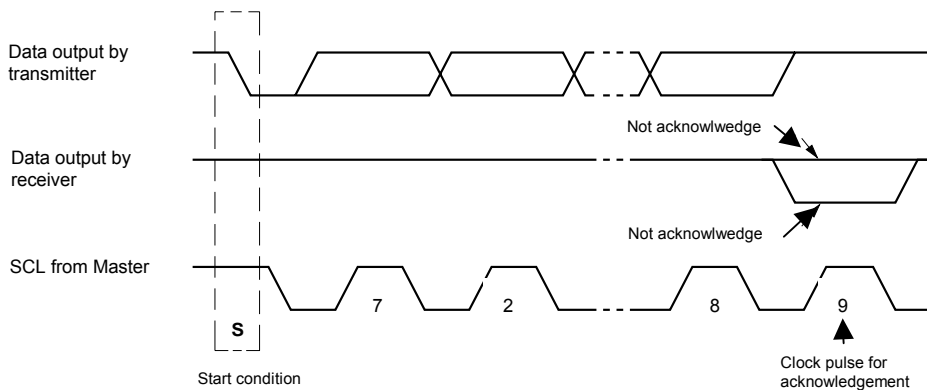
ACKNOWLEDGE

The number of data bytes transferred between the start and stop conditions from transmitter to receiver is unlimited. Each byte of eight bits is followed by an acknowledge bit. The acknowledge bit is a HIGH level signal put on the interface bus by the transmitter during which time the master generates an extra acknowledge related clock pulse. A slave receiver which is addressed must generate an acknowledge after the reception of each byte. In addition, a master receiver must generate an acknowledge after the reception of each byte that has been clocked out of the slave transmitter.

The device that acknowledges must pull down the SDA line during the acknowledge clock pulse so that the SDA line is stable LOW during the HIGH period of the acknowledge related clock pulse (set-up and hold times must be taken into consideration). A master receiver must signal an end of data to the transmitter by not generating an acknowledge on the last byte that has been clocked out of the slave. In this event, the transmitter must leave the data line HIGH to enable the master to generate a stop condition.



Example of an I²C-bus configuration using two microcontrollers



Acknowledge on the I²C-bus

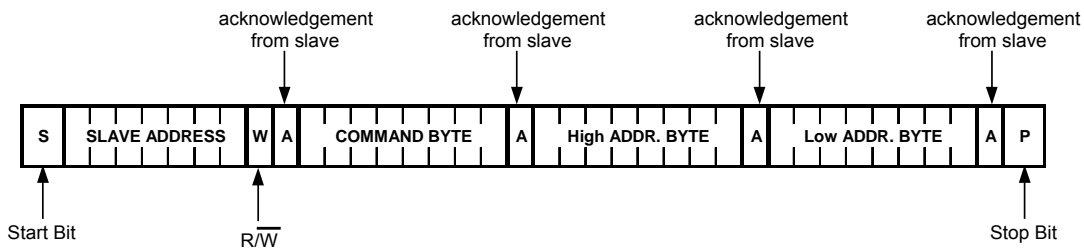


I²C PROTOCOL

Since the I²C protocol allows multiple devices on the bus, each device must have an address. This address is known as a "Slave Address". A Slave Address consists of 7 bits, followed by a single bit that indicates the direction of data flow. This single bit is 1 for a Write cycle, which indicates the data is being sent from the current bus master to the device being addressed. This single bit is a 0 for a Read cycle, which indicates that the data is being sent from the device being addressed to the current bus master.

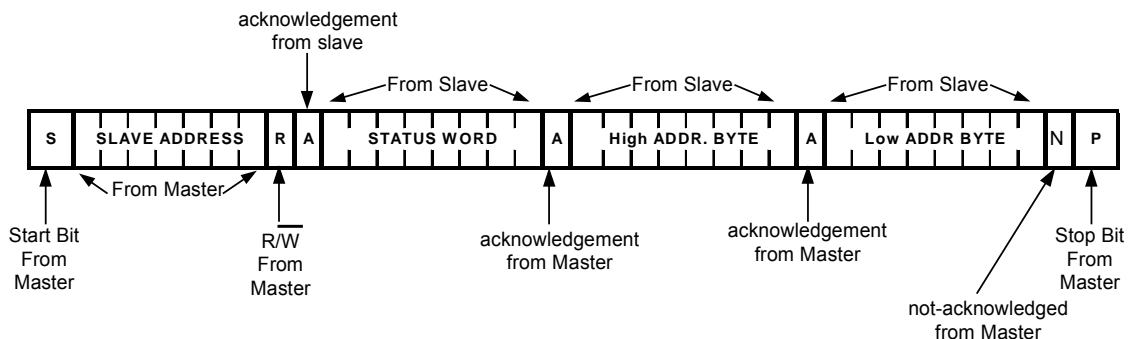
Before any data is transmitted on the I²C interface, the current bus master must address the slave it wishes to transfer data to or from. The Slave Address is always sent out as the 1st byte following the Start Condition sequence. An example of a Master transmitting an address to a ISD5216 slave is shown below. In this case, the Master is writing data to the slave and the R/W bit is "0", i.e. a Write cycle. All the bits transferred are from the Master to the Slave, except for the indicated Acknowledge bits.

Master Transmits to Slave Receiver (Write Mode)



A common procedure in the ISD5116 is the reading of the Status Bytes. The Read Status condition in the ISD5216 is triggered when the Master addresses the chip with its proper Slave Address, immediately followed by the R/W bit set to a "0" and without the Command Byte being sent. This is an example of the Master sending to the Slave, immediately followed by the Slave sending data back to the Master. The "N" not-acknowledge cycle from the Master ends the transfer of data from the Slave.

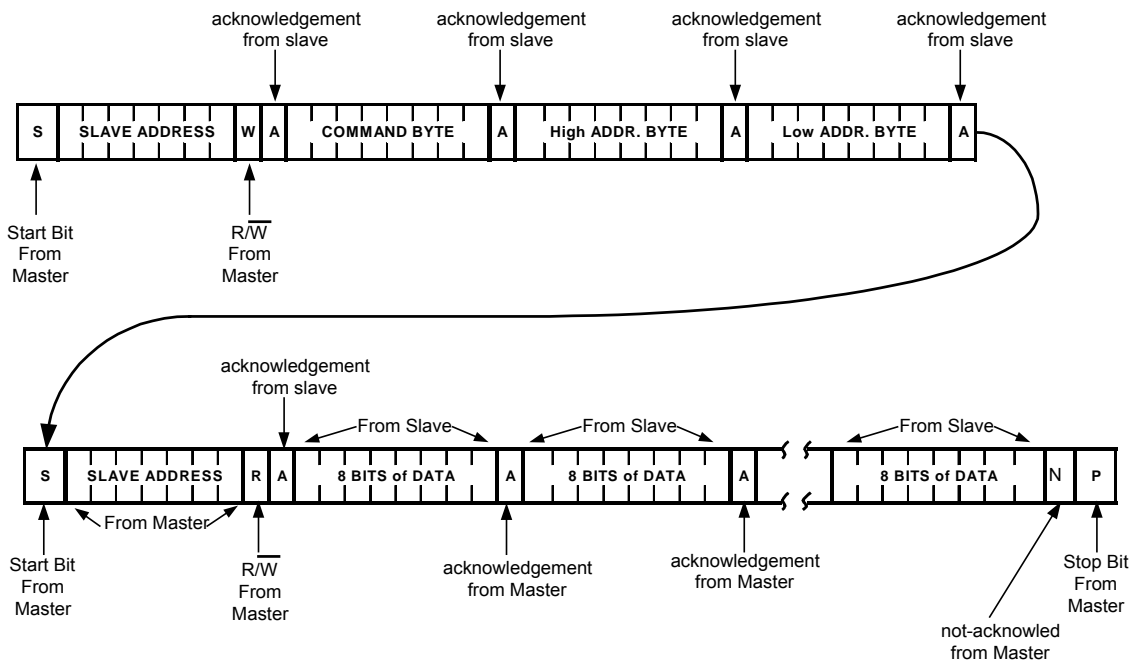
Master Reads from Slave immediately after first byte (Read Mode)





Another common operation in the ISD5216 is the reading of digital data from the chip's memory array at a specific address. This requires the I²C interface Master to first send an address to the ISD5116 Slave device, and then receive data from the Slave in a single I²C operation. To accomplish this, the data direction R/W bit must be changed in the middle of the command. The following example shows the Master sending the Slave address, then sending a Command Byte and 2 bytes of address data to the ISD5216, and then immediately changing the data direction and reading some number of bytes from the chip's digital array. An unlimited number of bytes can be read in this operation. The "N" not-acknowledge cycle from the Master forces the end of the data transfer from the Slave. The following example details the transfer explained in the section on page 41 of this datasheet.

Master Reads from the Slave after setting data address in Slave
(Write data address, READ Data)





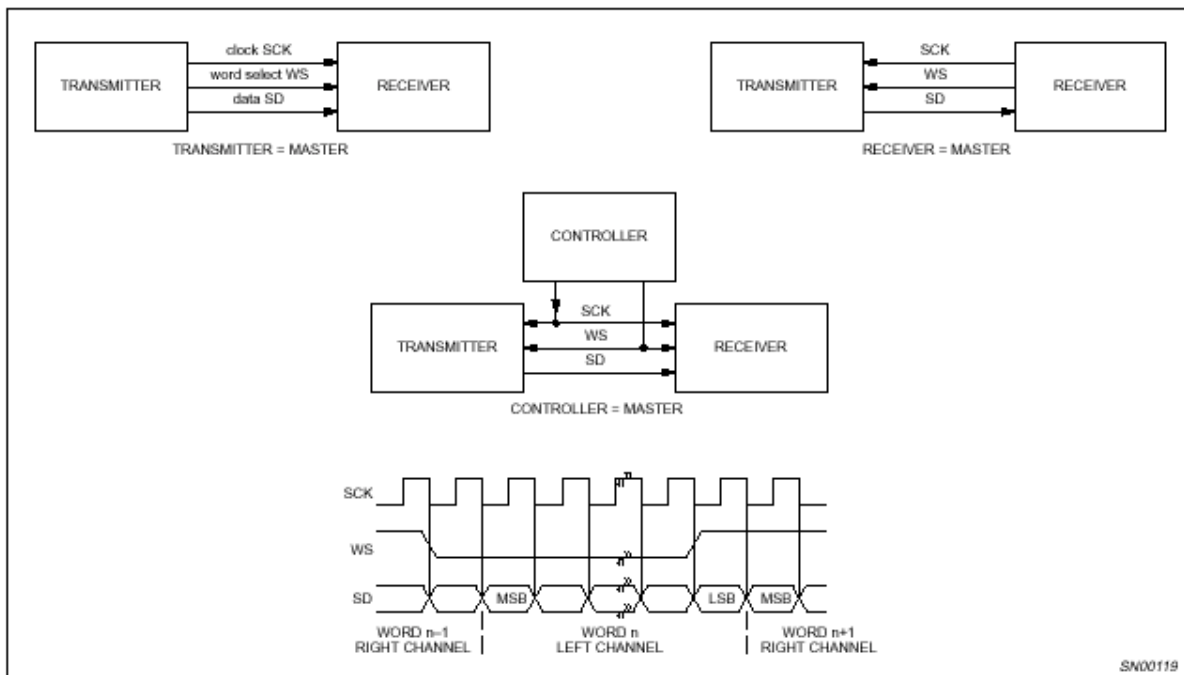
I²S SERIAL INTERFACE TECHNICAL INFORMATION

THE I²S BUS

As shown in the following figure, the bus has three lines:

- continuous serial clock (SCK)
- word select (WS)
- serial data (SD) and the device generating SCK and WS is the master.

Simple System Configurations and Basic Interface Timing



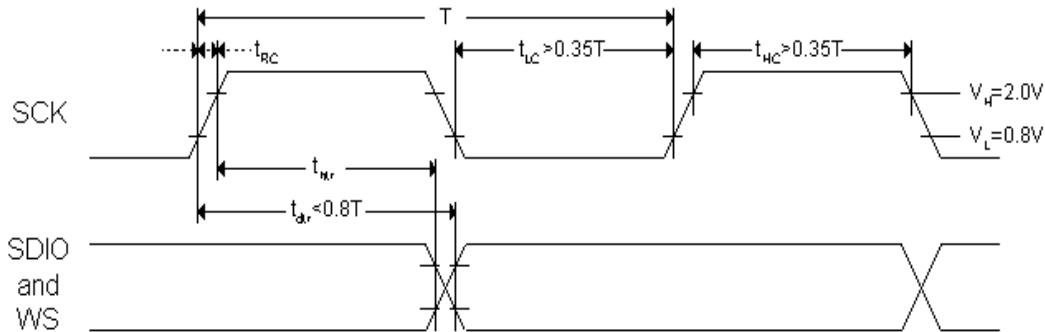
SERIAL DATA

Serial data is transmitted in two's complement with the MSB first. The MSB is transmitted first because the transmitter and receiver may have different word lengths. It isn't necessary for the transmitter to know how many bits the receiver can handle, nor does the receiver need to know how many bits are being transmitted.

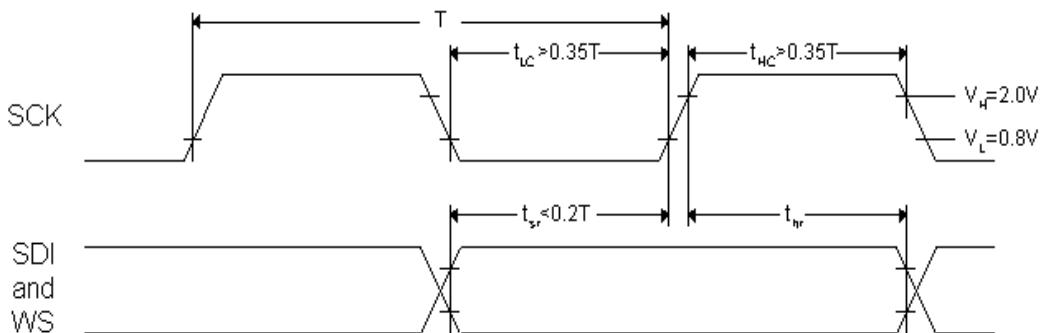
When the system word length is greater than the transmitter word length, the word is truncated (least significant data bits are set to '0') for data transmission. If the receiver is sent more bits than its word length, the bits after the LSB are ignored. On the other hand, if the receiver is sent fewer bits than its word length, the missing bits are set to zero internally. And so, the MSB has a fixed position, whereas the position of the LSB depends on the word length. The transmitter always sends the MSB of the next word one clock period after the WS changes.



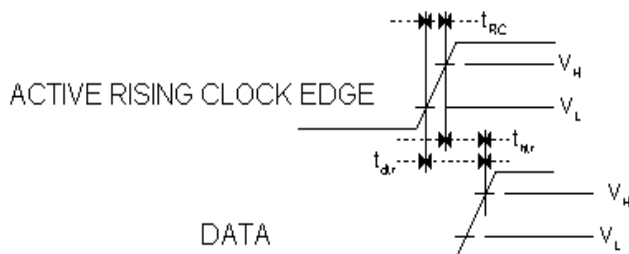
Serial data sent by the transmitter may be synchronized with either the trailing (HIGH-to-LOW) or the leading (LOW-to-HIGH) edge of the clock signal. However, the serial data must be latched into the receiver on the leading edge of the serial clock signal, and so there are some restrictions when transmitting data that is synchronized with the leading edge (see figure below).



Timing For I²S Transmitter



Timing For I²S Receiver



Clock rise-time definition with respect to the voltage levels

Note that the specifications are defined by the transmitter speed. The specification of the receiver has to be able to match the performance of the transmitter.



WORD SELECT

The word select line indicates the channel being transmitted:

- WS = 0; channel 1 (left)
- WS = 1; channel 2 (right)

WS may change either on a trailing or leading edge of the serial clock, but it doesn't need to be symmetrical. In the slave, this signal is latched on the leading edge of the clock signal. The WS line changes one clock period before the MSB is transmitted. This allows the slave transmitter to derive synchronous timing of the serial data that will be set up for transmission. Furthermore, it enables the receiver to store the previous word and clear the input for the next word (see figure [Timing for I²S Transmitter](#) on previous page.)

TIMING

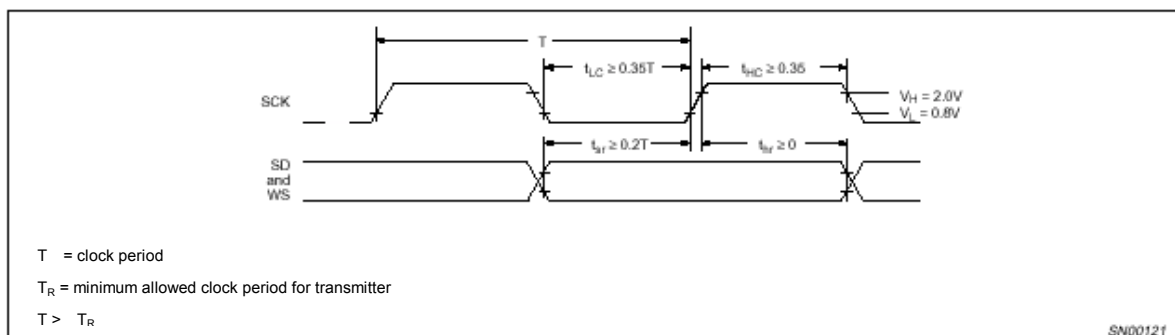
In the I²S format, any device can act as the system master by providing the necessary clock signals. A slave will usually derive its internal clock signal from an external clock input. This means, taking into account the propagation delays between master clock and the data and/or word-select signals, that the total delay is simply the sum of:

- the delay between the external (master) clock and the slave's internal clock; and
- the delay between the internal clock and the data and/or word-select signals.

For data and word-select inputs, the external to internal clock delay is of no consequence because it only lengthens the effective set-up time (see figure [Timing for I²S Transmitter](#) on previous page.) The major part of the time margin is to accommodate the difference between the propagation delay of the transmitter, and the time required to set up the receiver.

All timing requirements are specified relative to the clock period or to the minimum allowed clock period of a device. This means that higher data rates can be used in the future.

Timing for I²S Receiver



Note that the specifications are defined by the transmitter speed. The specification of the receiver has to be able to match the performance of the transmitter.



S Parameters (all values in nanoseconds)

Parameter	Transmitter				Receiver				NOTES
	Lower Limit		Upper Limit		Lower Limit		Upper Limit		
	MIN	MAX	MIN	MAX	MIN	MAX	MIN	MAX	
Bit Clock period T	325				325				
High time t_{HC}		114				114			
Low time t_{LC}		114				114			
Rise time t_{RC}			49						
Delay t_{dtr}				260					
Hold time t_{htr}	100								
Set-up time t_{sr}						65			
Hold time t_{hr}						0			

Voltage Level Specification

Output Levels

$V_L < 0.4V$

$V_H > 2.4V$ both levels able to drive one standard TTL input ($I_{IL} = -1.6mA$ and $I_{IH} = 0.04mA$).

Input Levels

$V_{IL} = 0.8V$

$V_{IH} = 2.0V$

Note: At present, TTL is considered a standard for logic levels. As other IC (LSI) technologies become popular, other levels will also be supported.

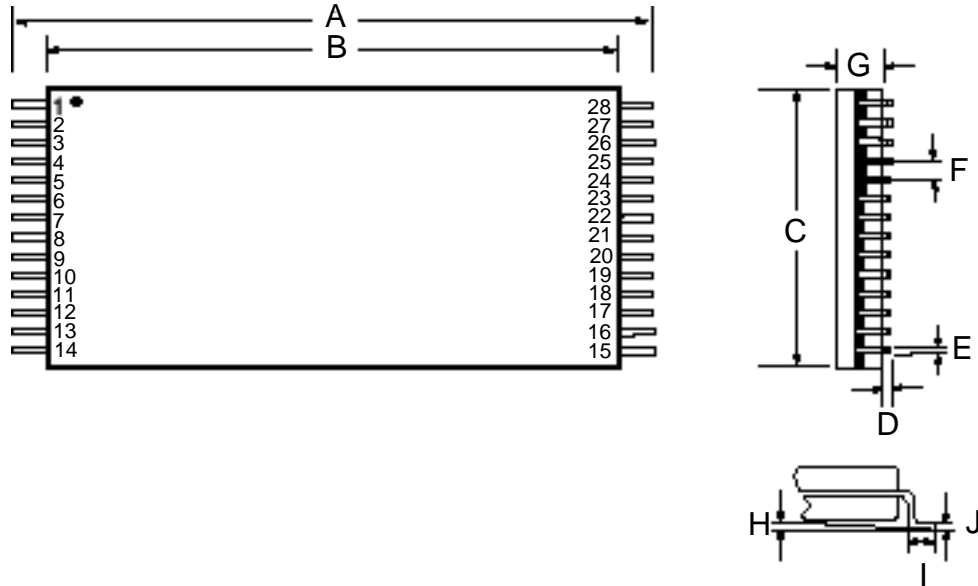
I5216 SERIES

Advanced Information
PRELIMINARY



DEVICE PHYSICAL DIMENSIONS

PLASTIC THIN SMALL OUTLINE PACKAGE (TSOP) TYPE E DIMENSIONS



PLASTIC THIN SMALL OUTLINE PACKAGE (TSOP) TYPE E DIMENSIONS

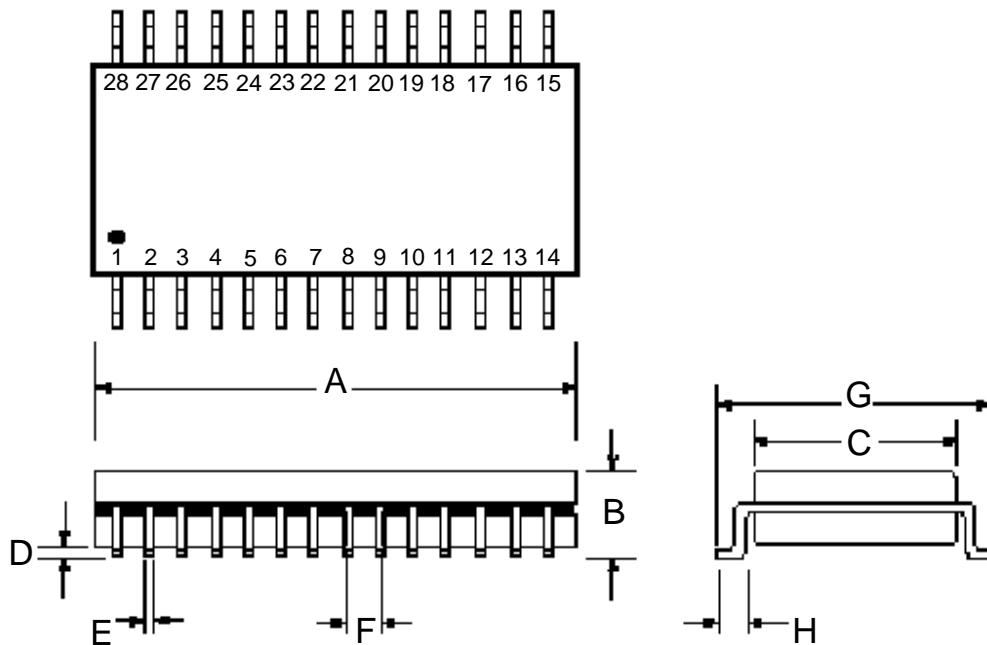
	INCHES			MILLIMETERS		
	Min	Nom	Max	Min	Nom	Max
A	0.520	0.528	0.535	13.20	13.40	13.60
B	0.461	0.465	0.469	11.70	11.80	11.90
C	0.311	0.315	0.319	7.90	8.00	8.10
D	0.002		0.006	0.05		0.15
E	0.007	0.009	0.011	0.17	0.22	0.27
F		0.0217			0.55	
G	0.037	0.039	0.041	0.95	1.00	1.05
H	0 ⁰	3 ⁰	6 ⁰	0 ⁰	3 ⁰	6 ⁰
I	0.020	0.022	0.028	0.50	0.55	0.70
J	0.004		0.008	0.10		0.21

I5216 SERIES

Advanced Information
PRELIMINARY



PLASTIC SMALL OUTLINE INTEGRATED CIRCUIT (SOIC) DIMENSIONS



PLASTIC SMALL OUTLINE INTEGRATED CIRCUIT (SOIC) DIMENSIONS

	INCHES			MILLIMETERS		
	Min	Nom	Max	Min	Nom	Max
A	0.701	0.706	0.711	17.81	17.93	18.06
B	0.097	0.101	0.104	2.46	2.56	2.64
C	0.292	0.296	0.299	7.42	7.52	7.59
D	0.005	0.009	0.0115	0.127	0.22	0.29
E	0.014	0.016	0.019	0.35	0.41	0.48
F		0.050			1.27	
G	0.400	0.406	0.410	10.16	10.31	10.41
H	0.024	0.032	0.040	0.61	0.81	1.02

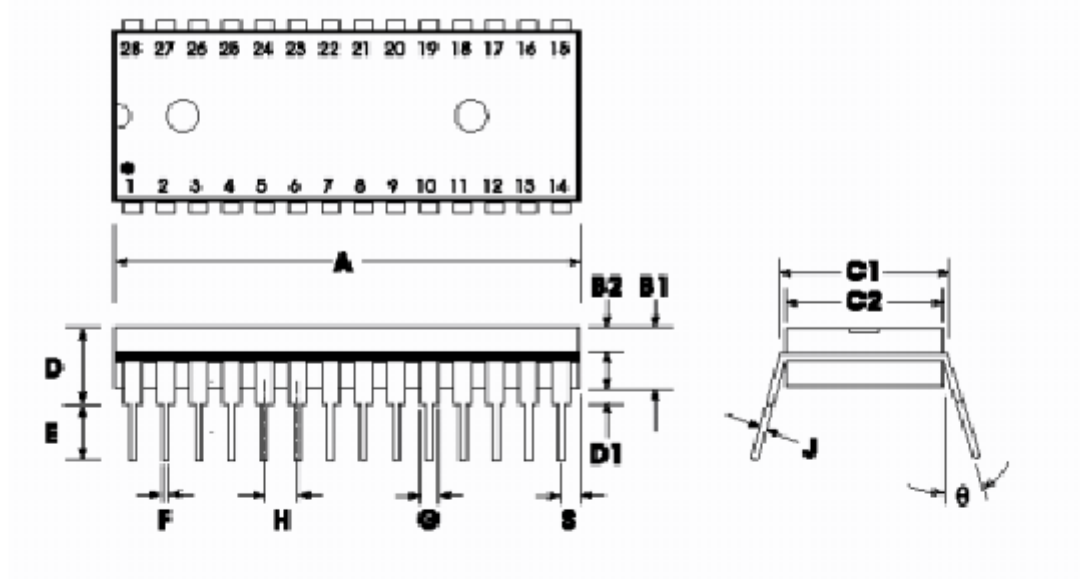
Note: Lead coplanarity to be within 0.004 inches.

I5216 SERIES

Advanced Information
PRELIMINARY



PLASTIC DUAL INLINE PACKAGE (PDIP) DIMENSIONS



Plastic Dual In-Line Package (PDIP) (P) Dimensions

	INCHES			MILLIMETERS		
	Min	Nom	Max	Min	Nom	Max
A	1.445	1.450	1.455	36.70	36.83	36.96
B1		0.150			3.81	
B2	0.065	0.070	0.075	1.65	1.78	1.91
C1	0.600		0.625	15.24		15.88
C2	0.530	0.540	0.550	13.46	13.72	13.97
D			0.19			4.83
D1	0.015			0.38		
E	0.125		0.135	3.18		3.43
F	0.015	0.018	0.022	0.38	0.46	0.56
G	0.055	0.060	0.065	1.40	1.52	1.65
H		0.100			2.54	
J	0.008	0.010	0.012	0.20	0.25	0.30
S	0.070	0.075	0.080	1.78	1.91	2.03
theta	0°		15°	0°		15°



DIE BONDING PHYSICAL LAYOUT

I5216 DEVICE PIN/PAD LOCATIONS WITH RESPECT TO DIE CENTER IN MICRON (μM)

PIN	Pin Name	X Axis	Y Axis
V _{SSD}	V _{SS} Digital Ground	-1880.70	4721.30
V _{SSD}	V _{SS} Digital Ground	-1709.10	4721.30
AD0	Address 0	-1407.20	4721.30
SDA	Serial Data Address	-1066.00	4721.30
AD1	Address 1	-743.70	4721.30
SCL	Serial Clock Line	-428.60	4721.30
V _{CCD}	V _{CC} Digital Supply Voltage	-156.50	4721.30
V _{CCD}	V _{CC} Digital Supply Voltage	58.90	4721.30
MCLK	External Clock Input	246.80	4721.30
$\overline{\text{INT}}$	Interrupt	554.10	4720.50
RAC	Row Address Clock	1029.00	4721.30
SDIO	Serial Data Input Output	1362.60	4721.30
SDI	Serial Data Input	1679.50	4721.30
V _{SSA}	V _{SS} Analog Ground	1840.55	4721.30
V _{SSA}	“ “ “	-2027.80	-4716.20
MIC+	Non-inverting Microphone Input	-1824.20	-4716.20
MIC-	Inverting Microphone Input	-1628.60	-4716.20
MICBS	Microphone Bias Voltage	-1327.95	-4716.20
ACAP	AGC/AutoMute Cap	-905.70	-4716.20
SP-	Speaker Negative	-373.50	-4716.20
V _{SSA}	V _{SS} Analog Ground	-39.90	-4716.20
V _{SSA}	V _{SS} Analog Ground	50.10	-4716.20
SP+	Speaker Positive	383.70	-4716.20
V _{CCA}	V _{CC} Analog Supply Voltage	717.30	-4716.20
V _{CCA}	V _{CC} Analog Supply Voltage	807.30	-4716.20
AUX IN	Auxiliary Input	1073.00	-4716.20
AUX OUT	Auxiliary Output	1325.95	-4716.20
SCK	Serial Data Clock	1634.65	-4716.20
WS	Word Select	1896.25	-4716.20



I5216 SERIES BONDING PHYSICAL LAYOUT ⁽¹⁾ (UNPACKAGED DIE)

I5216 Series

Die Dimensions

X: 4380 μm

Y: 9880 μm

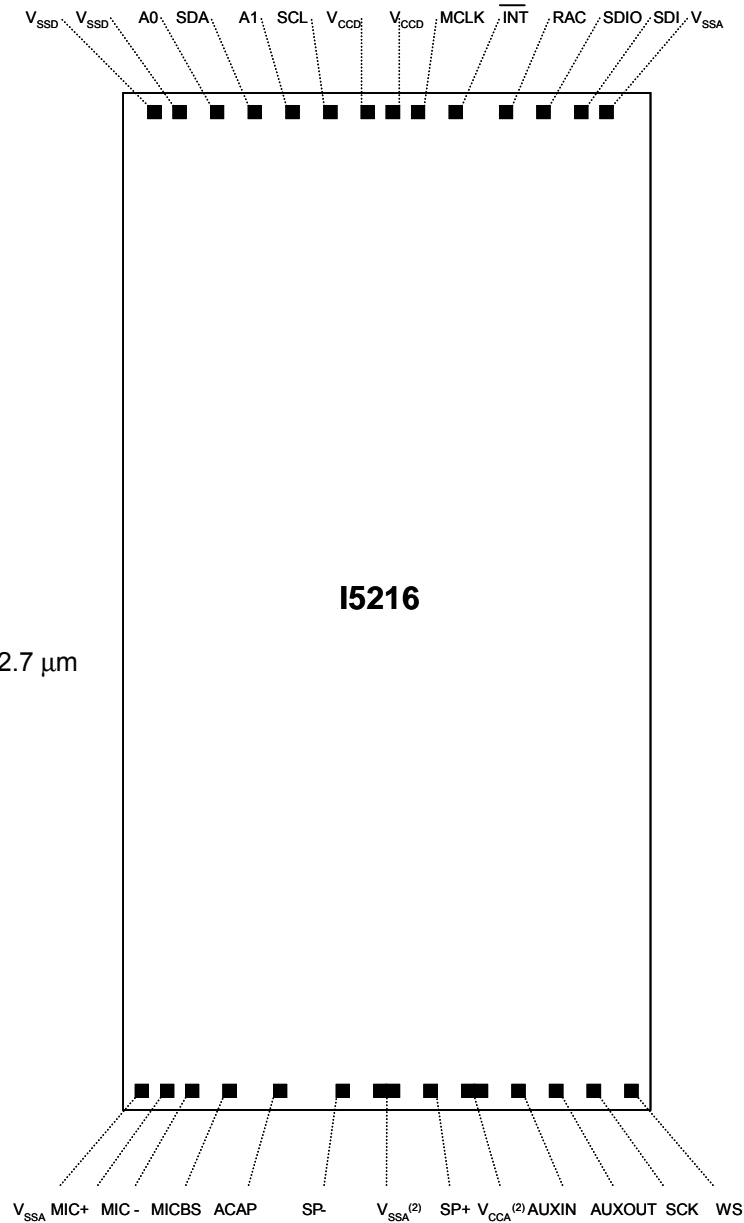
Die Thickness⁽³⁾

292.1 μm + 12.7 μm

Pad Opening (min)

90x 90 μm

3.5 x 3.5 mils



1. The backside of die is internally connected to Vss. It MUST NOT be connected to any other potential or damage may occur.
2. Double bond recommended.

This figure reflects the current die thickness. Please contact Winbond as this thickness may change in the future.

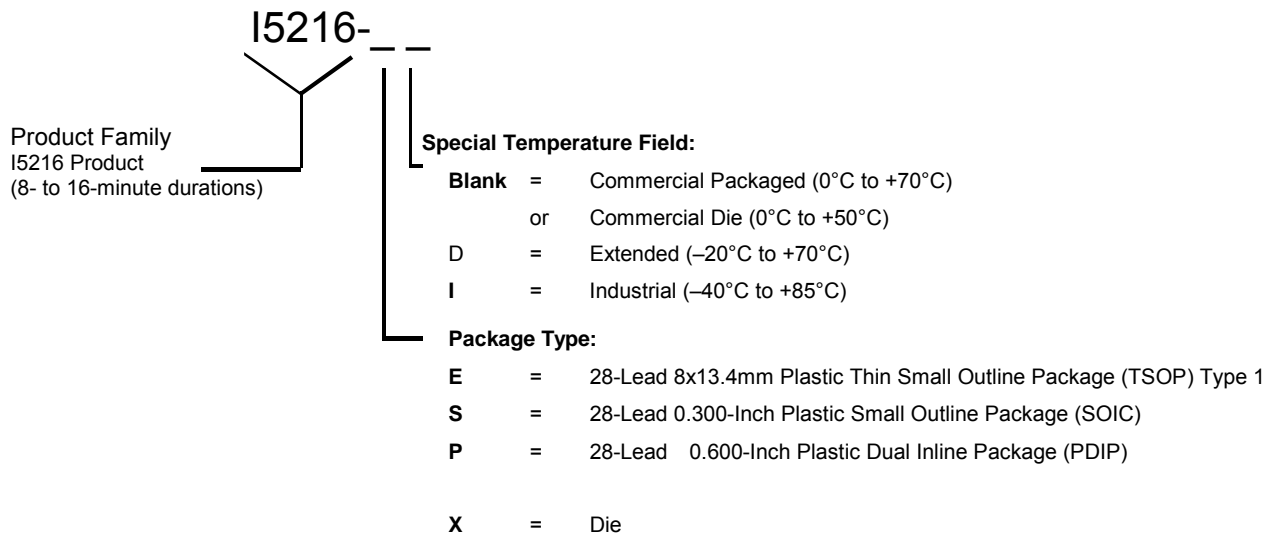
I5216 SERIES

Advanced Information
PRELIMINARY



ORDERING INFORMATION

WINBOND PART NUMBER DESCRIPTION



I5216 SERIES

Advanced Information
PRELIMINARY



When ordering I5216 series devices, please refer to the following valid part numbers.

Part Number
I5216E
I5216ED
I5216EI
I5216S
I5216SD
I5216SI
I5216P
I5216X

Chip scale package is available upon customer's request.

For the latest product information, access Winbond's worldwide website at <http://www.winbond-usa.com>



Headquarters

No. 4, Creation Rd. III,
Science-Based Industrial Park,
Hsinchu, Taiwan
TEL: 886-3-5770066
FAX: 886-3-5665577
<http://www.winbond.com.tw/>

Taipei Office

11F, No. 115, Sec. 3,
Min-Sheng East. Rd.,
Taipei, Taiwan
TEL: 886-2-27190505
FAX: 886-2-27197502

Winbond Electronics Corporation America

2727 North First Street, San Jose,
CA 95134, U.S.A.
TEL: 1-408-9436666
FAX: 1-408-5441798

Winbond Electronics Corporation Japan

7F Daini-ueno BLDG, 3-7-18
Shinyokohama Kohoku-ku,
Yokohama, 222-0033
TEL: 81-45-4781881
FAX: 81-45-4781800

Winbond Electronics (Shanghai) Ltd.

27F, 2299 Yan An W. Rd. Shanghai,
200336 China
TEL: 86-21-62365999
FAX: 86-21-62365998

Winbond Electronics (H.K.) Ltd.

Unit 9-15, 22F, Millennium City,
No. 378 Kwun Tong Rd.,
Kowloon, Hong Kong
TEL: 852-27513100
FAX: 852-27552064

*Please note that all data and specifications are subject to change without notice.
All the trade marks of products and companies mentioned in this data sheet belong to their respective owners.*