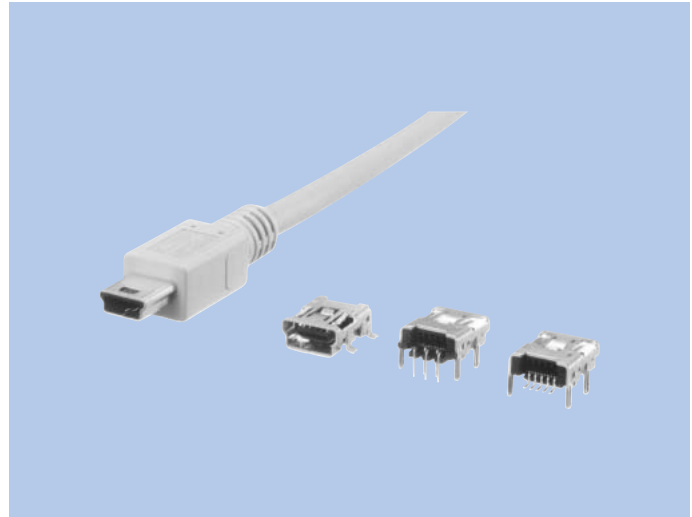


USB Series "Mini-B" Connectors IAM-E45, CAM-E42F · E47F · E48F

FEATURES

1. Ultra-small size realized for 5 pins.
Compared to MITSUMI's conventional product
Volume : 1/10 (CAM-E42F · E47F · E48F)
Coupling projection area ratio : 1/5
(CAM-E42F · E47F · E48F)
2. Ideal for connections between PCs and small, thin PC peripherals, such as digital still cameras, portable music players, mobile phones, etc.).
3. Sequential mechanism that shifts contact timing for power supply and signal contact is used.
4. Couple/decouple reliability ensured for 5,000 times
5. Weight : 0.6g (CAM-E42F · E47F · E48F)
6. Supports USB 2.0



HOW TO ORDER

1. IAM-E45

E45-005-

1 2 3 4

- 1 Series No. (E45)
- 2 No. of contacts (005 : 5pins)
- 3 Product Specifications
- 4 Cable length (Standard)
A : 300mm, B : 500mm, C : 800mm
D : 1000mm, E : 1300mm, F : 1500mm

2. CAM-E42F

E42F-005-8904A

1 2 3

- 1 Series No. (E42F)
- 2 No. of contacts (005 : 5pins)
- 3 Product Specifications

3. CAM-E47F

E47F-005-8903A

1 2 3

- 1 Series No. (E47F)
- 2 No. of contacts (005 : 5pins)
- 3 Product Specifications

4. CAM-E48F

E48F-005-8902A

1 2 3

- 1 Series No. (E48F)
- 2 No. of contacts (005 : 5pins)
- 3 Product Specifications

SPECIFICATIONS

ELECTRICAL CHARACTERISTICS

Rated Voltage	AC 5V (rms)
Rated Current	1.0A
Withstanding Voltage	100V AC (rms) 1minute
Insulation Resistance	100MΩ min. (at 500V DC)
Contact Resistance	50mΩ max.

MECHANICAL CHARACTERISTICS

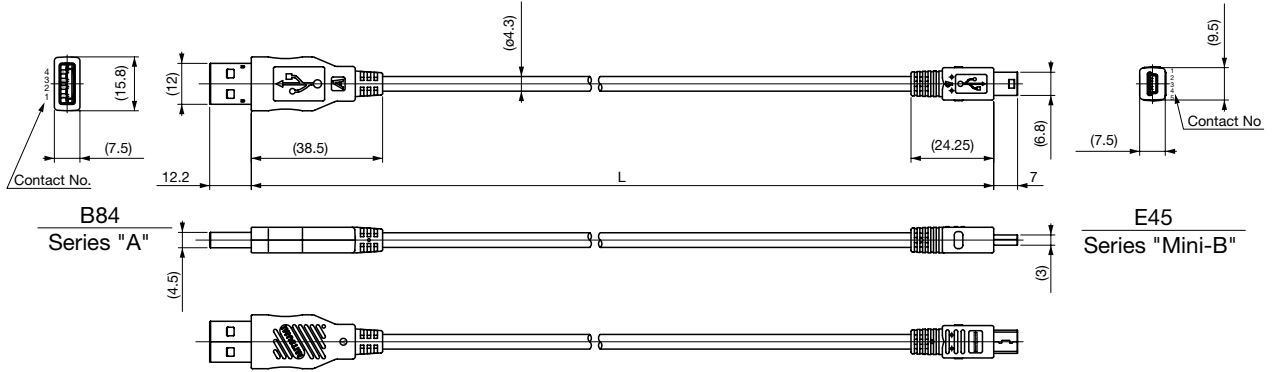
Life (Matching Cycle)	5,000 times
Total Insertion Force	35N (3.57kgf) max.
Total Withdrawal Force	Beginning 7N (0.71kgf) min.
	After 5,000 times 3N (0.31kgf) min.

MATERIAL & FINISH

Component parts		Material	Finish
IAM-E45	Housing	PBT resin	(Black)
	Contact	Copper alloy	Contact area: Gold
	Shield Case	Steel	Nickel plating
	Over mold	PVC resin	Optional
	Cable	PVC resin	Optional
CAM-E42F · E47F · E48F	Housing	Thermo plastic	(Black)
	Contact	Copper alloy	Contact area: Gold
	Shield Case	Copper alloy	Tin reflow plating (Gold plating is also available)

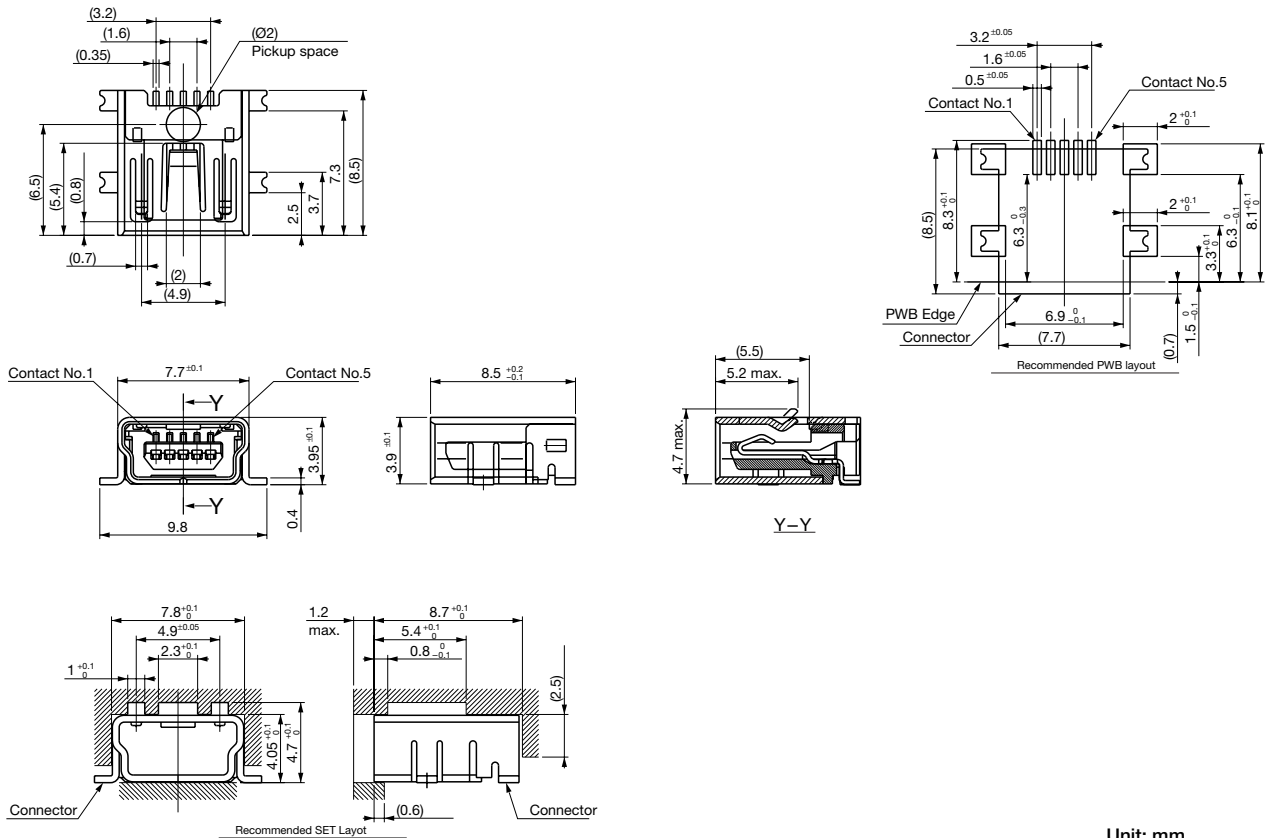
DIMENSIONS

IAM-E45



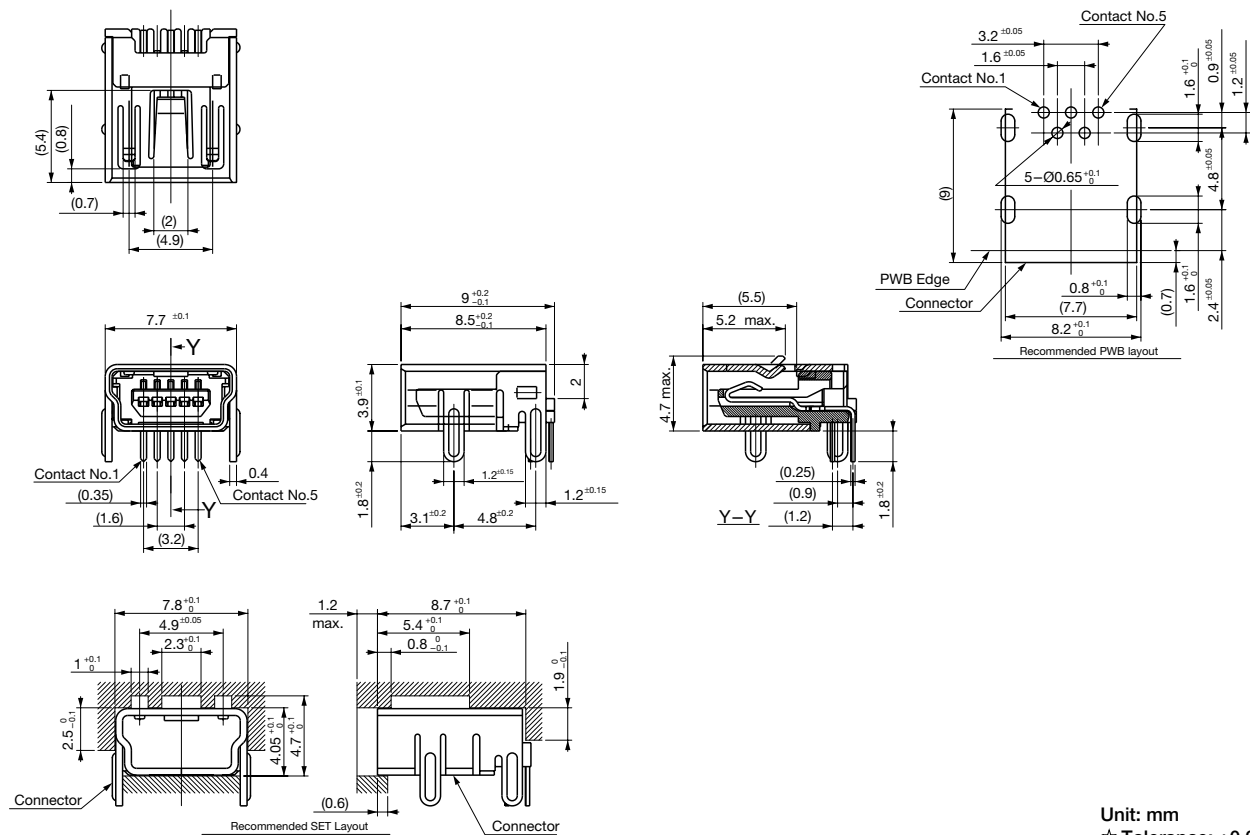
Unit: mm
 ☆ Tolerance: ±0.3

CAM-E42F



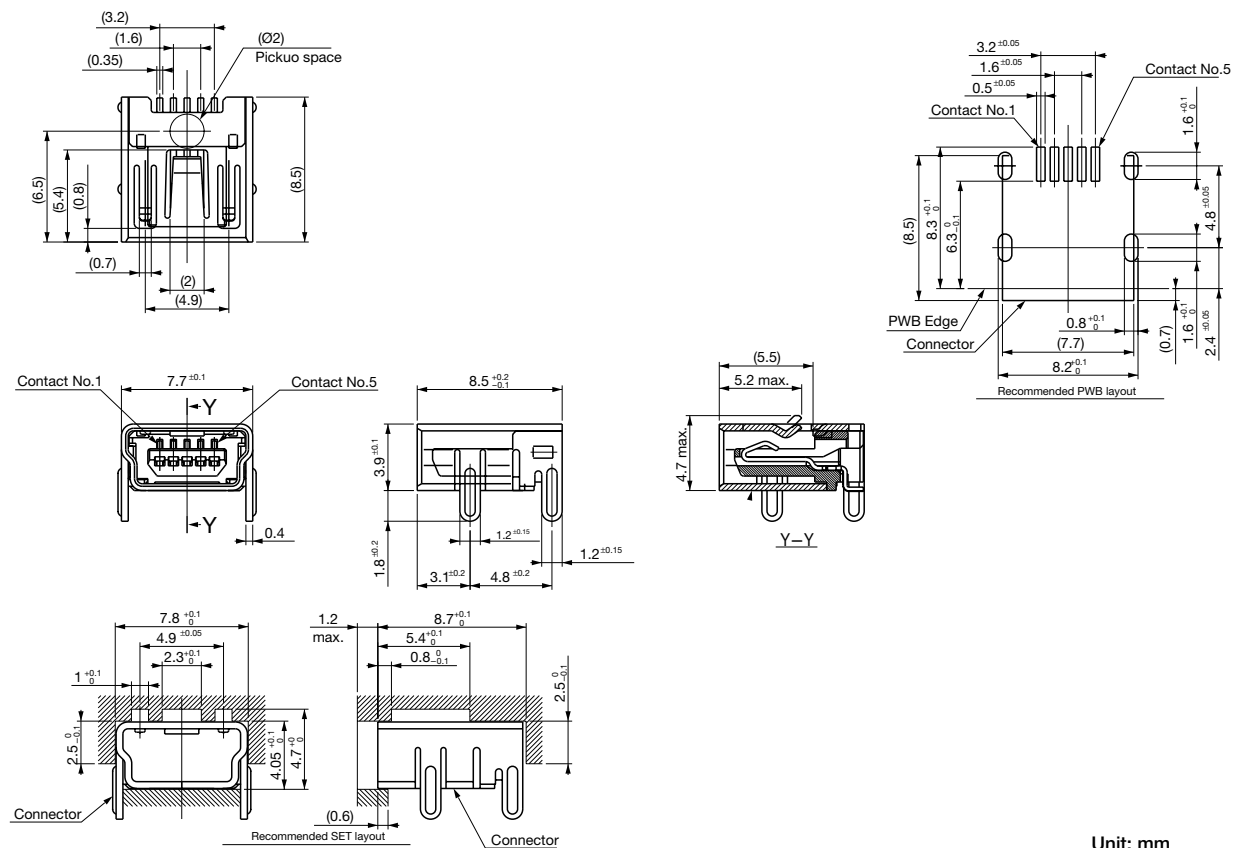
Unit: mm
 Tolerance: ±0.3

CAM-E47F



Unit: mm
 ☆ Tolerance: ±0.3

CAM-E48F



Unit: mm
 Tolerance: ±0.3