

Specifications

Insulation Resistance: 1,000MΩ min. at 500V DC
 Dielectric Withstanding Voltage: 700V AC for 1 minute
 Contact Resistance: 30mΩ max. at 10mA/20mV max.
 Current Rating: 1A max.
 Operating Temperature Range: -40°C to +170°C
 (-40°C to +150°C for -004 type)
 Mating Cycles: 10,000 insertions min.
 Contact Force: 20g min. per pin at minimum displacement of 0.3mm
 80g max. per pin at maximum displacement of 0.7mm

Materials and Finish

Housing: Polyetherimide (PEI), glass-filled
 Contacts: Beryllium Copper (BeCu)
 Plating: Gold over Nickel

Part Number (Details)

IC191 - 032 2 - 001 x - x

Series No. *t*

No. of Contact Pins

Number of Sides with Contacts

Design Number

Posi

N = Without Positioning Pin

Unmarked = With Positioning Pin

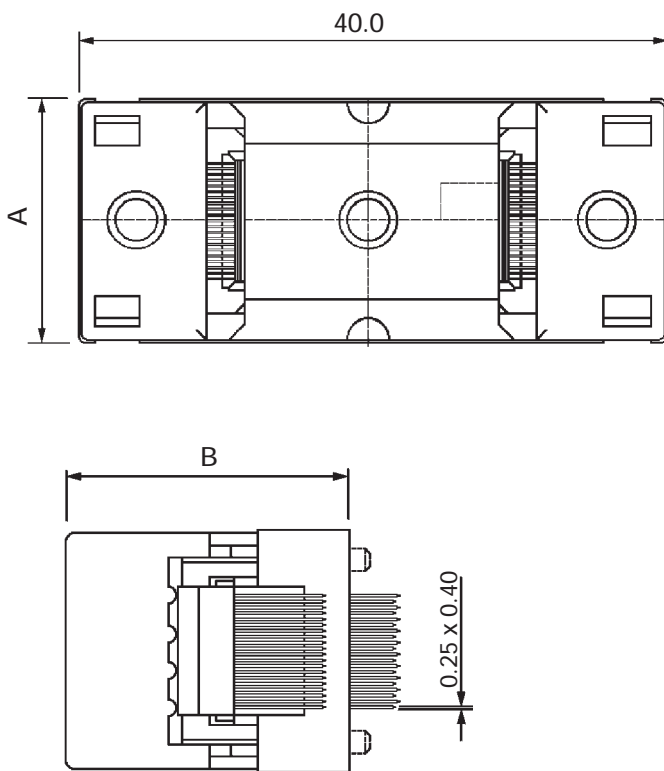
K = With Protection Key

Unmarked = Without Protection Key

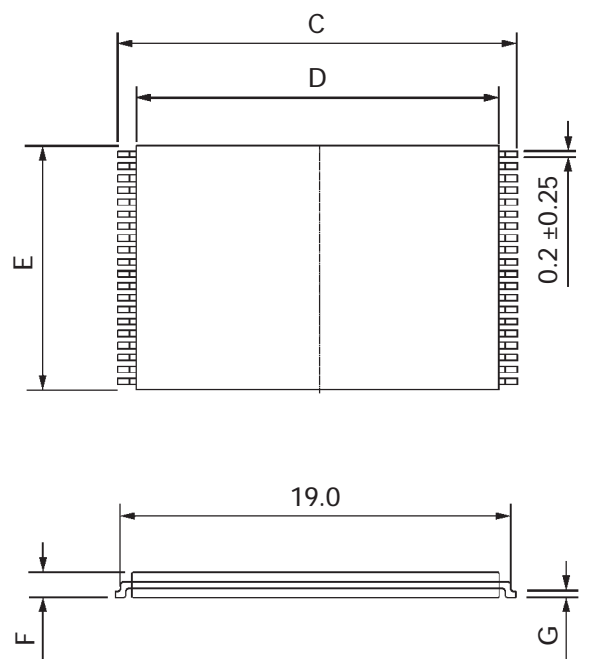
*Protection Key: Prevents IC from releasing during transportation

Applicable Socket and IC Dimensions (Reference Only)

Outline Socket Dimensions



Outline IC Dimensions

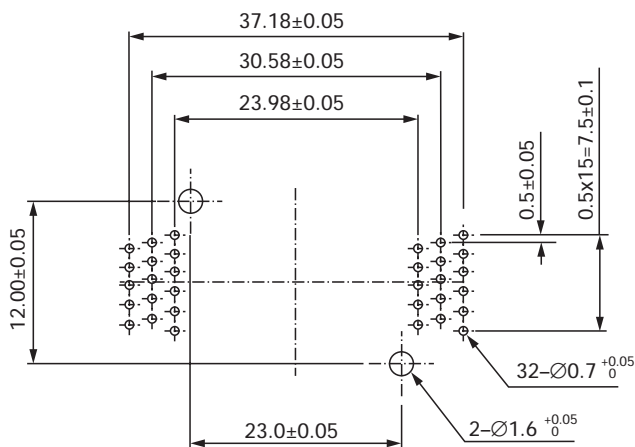


Part Number	Pin Count	Pitch	Socket Dim.		IC Dimensions				
			A	B	C	D	E	F	G
IC191-0322-001 x-x	32	0.5	16.0	19.0	19.8 ~ 20.2	18.3 ~ 18.5	8.2 max.	1.27	0.15
IC191-0402-002 x-x	40	0.5	18.0	19.0	19.8 ~ 20.2	18.3 ~ 18.5	10.2 max.	1.27	0.125
IC191-0482-004 x-x	48	0.5	20.0	19.2	19.9 ~ 20.1	18.35 ~ 18.45	12.3 max.	1.20 max.	0.157

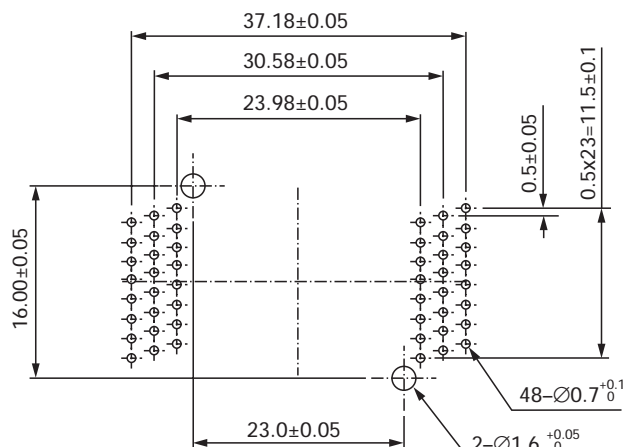
Recommended PCB Layouts

Top view from socket

TSOP IC191-0322-001 (32 Pins)



TSOP IC191-0482-004 (48 Pins)



TSOP IC191-0402-002 (40 Pins)

