

## 3<sup>1</sup>/<sub>2</sub> Digit LCD/LED, Low Power Display, A/D Converters with Overrange Recovery

### Features

- First Reading Overrange Recovery in One Conversion Period
- Guaranteed Zero Reading for 0V Input on All Scales
- True Polarity at Zero for Precise Null Detection
- 1pA Typical Input Current
- True Differential Input and Reference, Direct Display Drive
  - LCD ICL7136
  - LED ICL7137
- Low Noise - Less Than 15µV<sub>p-p</sub>
- On Chip Clock and Reference
- No Additional Active Circuits Required
- Low Power - Less Than 1mW
- Surface Mount Package Available
- Drop-In Replacement for ICL7126, No Changes Needed

### Ordering Information

| PART NUMBER | TEMP. RANGE (°C) | PACKAGE           | PKG. NO.  |
|-------------|------------------|-------------------|-----------|
| ICL7136CPL  | 0 to 70          | 40 Ld PDIP        | E40.6     |
| ICL7136RCPL | 0 to 70          | 40 Ld PDIP (Note) | E40.6     |
| ICL7136CM44 | 0 to 70          | 44 Ld MQFP        | Q44.10x10 |
| ICL7137CPL  | 0 to 70          | 40 Ld PDIP        | E40.6     |
| ICL7137RCPL | 0 to 70          | 40 Ld PDIP (Note) | E40.6     |
| ICL7137CM44 | 0 to 70          | 44 Ld MQFP        | Q44.10x10 |

NOTE: "R" indicates device with reversed leads.

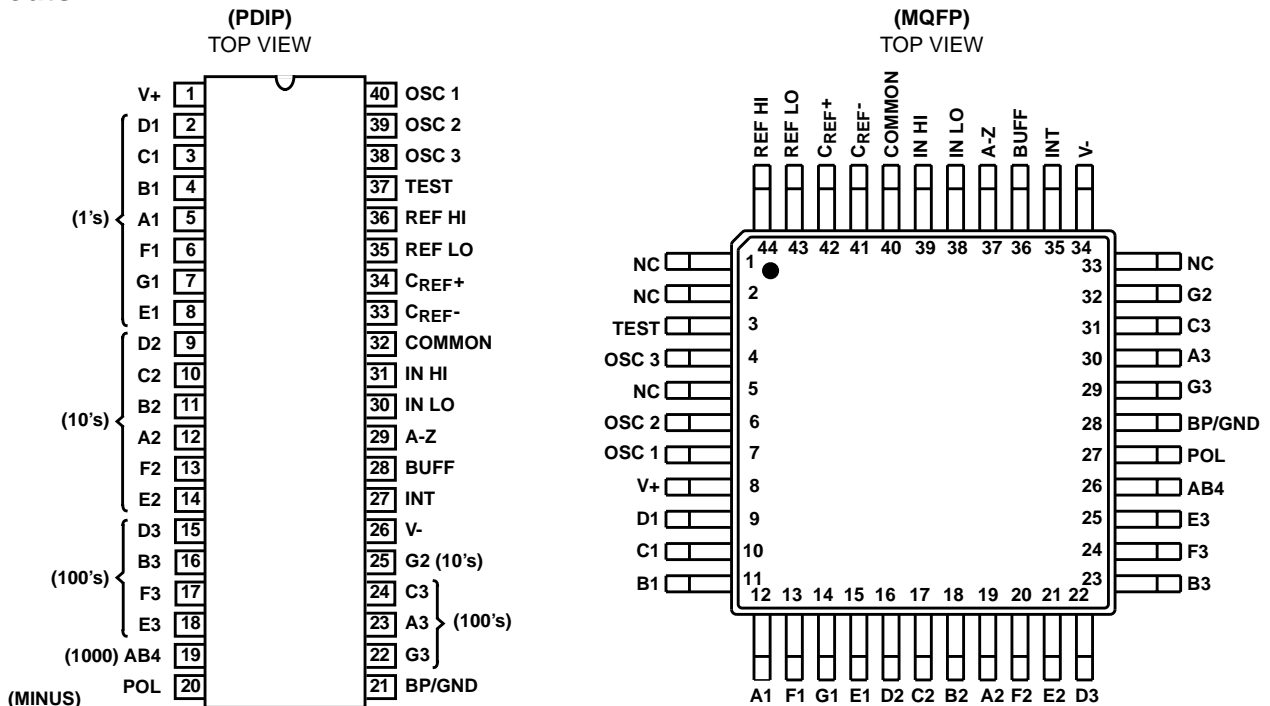
### Description

The Intersil ICL7136 and ICL7137 are high performance, low power 3<sup>1</sup>/<sub>2</sub> digit, A/D converters. Included are seven segment decoders, display drivers, a reference, and a clock. The ICL7136 is designed to interface with a liquid crystal display (LCD) and includes a multiplexed backplane drive; the ICL7137 will directly drive an instrument size, light emitting diode (LED) display.

The ICL7136 and ICL7137 bring together a combination of high accuracy, versatility, and true economy. It features auto-zero to less than 10µV, zero drift of less than 1µV/°C, input bias current of 10pA (Max), and rollover error of less than one count. True differential inputs and reference are useful in all systems, but give the designer an uncommon advantage when measuring load cells, strain gauges and other bridge type transducers. Finally, the true economy of single power supply operation (ICL7136), enables a high performance panel meter to be built with the addition of only 10 passive components and a display.

The ICL7136 and ICL7137 are improved versions of the ICL7126, eliminating the overrange hangover and hysteresis effects, and should be used in its place in all applications. It can also be used as a plug-in replacement for the ICL7106 in a wide variety of applications, changing only the passive components.

### Pinouts



# ICL7136, ICL7137

## Absolute Maximum Ratings

|  |            |
|--|------------|
| Supply Voltage                               |            |
| ICL7136, V+ to V-                            | 15V        |
| ICL7137, V+ to GND                           | 6V         |
| ICL7137, V- to GND                           | -9V        |
| Analog Input Voltage (Either Input) (Note 1) | V+ to V-   |
| Reference Input Voltage (Either Input)       | V+ to V-   |
| Clock Input                                  |            |
| ICL7136                                      | TEST to V+ |
| ICL7137                                      | GND to V+  |

## Thermal Information

|  |                                  |
|--|----------------------------------|
| Thermal Resistance (Typical, Note 2)     | $\theta_{JA}$ (°C/W)             |
| PDIP Package                             | 50                               |
| MQFP Package                             | 80                               |
| Maximum Junction Temperature             | 150°C                            |
| Maximum Storage Temperature Range        | -65°C to 150°C                   |
| Maximum Lead Temperature (Soldering 10s) | 300°C<br>(MQFP - Lead Tips Only) |

## Operating Conditions

Temperature Range . . . . . 0°C to 70°C

*CAUTION: Stresses above those listed in "Absolute Maximum Ratings" may cause permanent damage to the device. This is a stress only rating and operation of the device at these or any other conditions above those indicated in the operational sections of this specification is not implied.*

### NOTES:

- Input voltages may exceed the supply voltages provided the input current is limited to  $\pm 100\mu\text{A}$ .
- $\theta_{JA}$  is measured with the component mounted on an evaluation PC board in free air.

## Electrical Specifications (Note 3)

| PARAMETER  | TEST CONDITIONS  | MIN    | TYP         | MAX     | UNITS            |
|--|--|--------|-------------|---------|------------------|
| <b>SYSTEM PERFORMANCE</b>  |  |        |             |         |                  |
| Zero Input Reading   | $V_{IN} = 0V$ , Full Scale = 200mV   | -000.0 | $\pm 000.0$ | +000.0  | Digital Reading  |
| Ratiometric Reading  | $V_{IN} = V_{REF}$ , $V_{REF} = 100mV$   | 999    | 999/1000    | 1000    | Digital Reading  |
| Rollover Error   | $-V_{IN} = +V_{IN} \cong 200mV$ Difference in Reading for Equal Positive and Negative Inputs Near Full Scale | -      | $\pm 0.2$   | $\pm 1$ | Counts           |
| Linearity  | Full Scale = 200mV or Full Scale = 2V Maximum Deviation from Best Straight Line Fit (Note 5)                 | -      | $\pm 0.2$   | $\pm 1$ | Counts           |
| Common Mode Rejection Ratio  | $V_{CM} = \pm 1V$ , $V_{IN} = 0V$ , Full Scale = 200mV (Note 5)  | -      | 50          | -       | $\mu V/V$        |
| Noise  | $V_{IN} = 0V$ , Full Scale = 200mV (Peak-To-Peak Value Not Exceeded 95% of Time) (Note 5)                    | -      | 15          | -       | $\mu V$          |
| Leakage Current Input  | $V_{IN} = 0V$ (Note 5)   | -      | 1           | 10      | pA               |
| Zero Reading Drift   | $V_{IN} = 0V$ , 0°C To 70°C (Note 5)   | -      | 0.2         | 1       | $\mu V/^\circ C$ |
| Scale Factor Temperature Coefficient                                       | $V_{IN} = 199mV$ , 0°C To 70°C, (Ext. Ref. 0ppm/°C) (Note 5)   | -      | 1           | 5       | ppm/°C           |
| COMMON Pin Analog Common Voltage   | 25k $\Omega$ Between Common and Positive Supply (With Respect to + Supply)                                   | 2.4    | 3.0         | 3.2     | V                |
| Temperature Coefficient of Analog Common                                   | 25k $\Omega$ Between Common and Positive Supply (With Respect to + Supply) (Note 5)                          | -      | 150         | -       | ppm/°C           |
| <b>SUPPLY CURRENT ICL7136</b>  |  |        |             |         |                  |
| V+ Supply Current  | $V_{IN} = 0$ (Does Not Include Common Current) 16kHz Oscillator (Note 6)                                     | -      | 70          | 100     | $\mu A$          |
| <b>SUPPLY CURRENT ICL7137</b>  |  |        |             |         |                  |
| V+ Supply Current  | $V_{IN} = 0$ (Does Not Include Common Current) 16kHz Oscillator (Note 6)                                     | -      | 70          | 200     | $\mu A$          |
| V- Supply Current  |  | -      | 40          | -       | $\mu A$          |
| <b>DISPLAY DRIVER ICL7136 ONLY</b>   |  |        |             |         |                  |
| Peak-To-Peak Segment Drive Voltage<br>Peak-To-Peak Backplane Drive Voltage | $V+ = \text{to } V- = 9V$ (Note 4)   | 4      | 5.5         | 6       | V                |

# ICL7136, ICL7137

## Electrical Specifications (Note 3) (Continued)

| PARAMETER  | TEST CONDITIONS               | MIN | TYP | MAX | UNITS |
|--|-------------------------------|-----|-----|-----|-------|
| <b>DISPLAY DRIVER ICL7137 ONLY</b>                 |                               |     |     |     |       |
| Segment Sinking Current<br>(Except Pins 19 and 20) | V+ = 5V, Segment Voltage = 3V | 5   | 8   | -   | mA    |
| Pin 19 Only  |                               | 10  | 16  | -   | mA    |
| Pin 20 Only  |                               | 4   | 7   | -   | mA    |

**NOTES:**

- Unless otherwise noted, specifications apply to both the ICL7136 and ICL7137 at  $T_A = 25^\circ\text{C}$ ,  $f_{\text{CLOCK}} = 48\text{kHz}$ . ICL7136 is tested in the circuit of Figure 1. ICL7137 is tested in the circuit of Figure 2.
- Back plane drive is in phase with segment drive for 'off' segment, 180 degrees out of phase for 'on' segment. Frequency is 20 times conversion rate. Average DC component is less than 50mV.
- Not tested, guaranteed by design.
- 48kHz oscillator increases current by 20 $\mu\text{A}$  (Typ).

## Typical Applications and Test Circuits

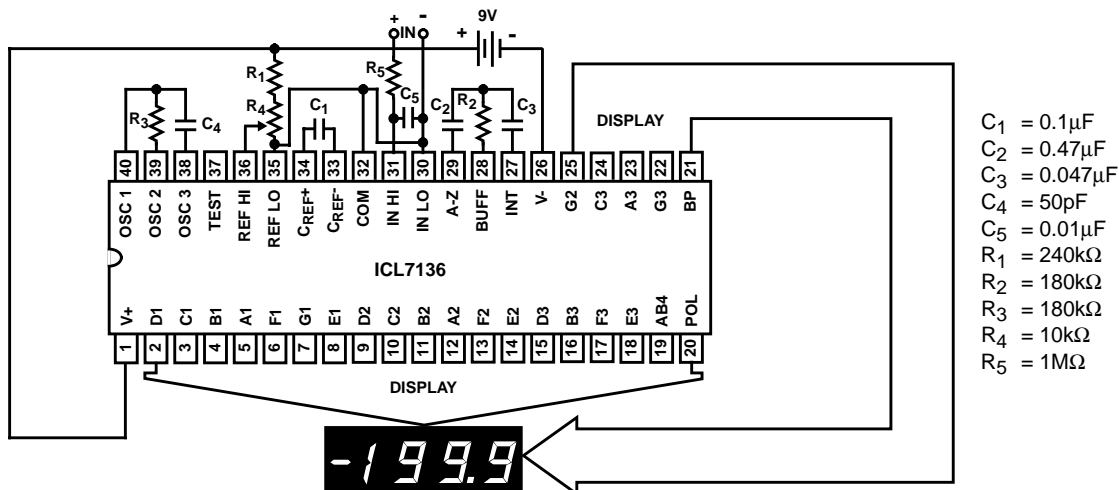


FIGURE 1. ICL7136 TEST CIRCUIT AND TYPICAL APPLICATION WITH LCD DISPLAY COMPONENTS SELECTED FOR 200mV FULL SCALE

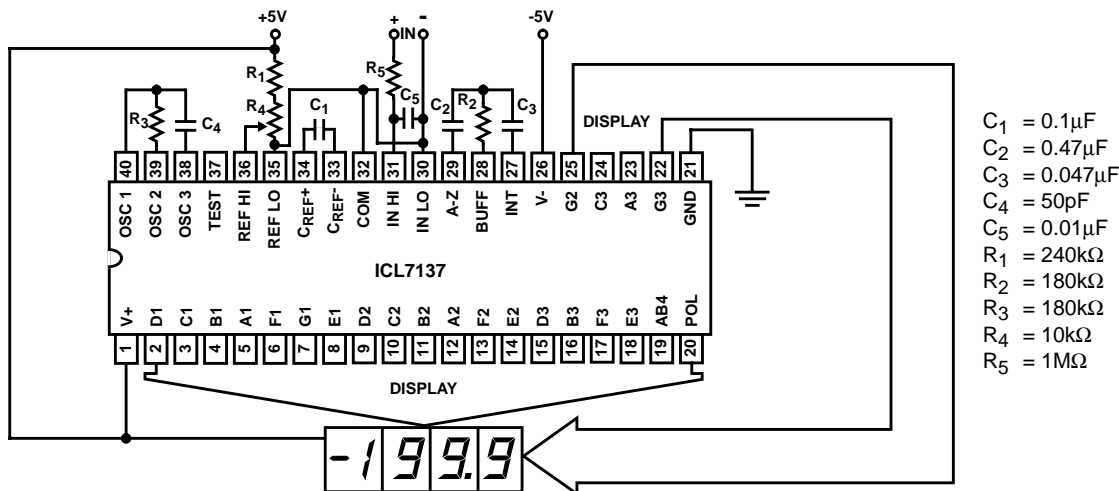


FIGURE 2. ICL7137 TEST CIRCUIT AND TYPICAL APPLICATION WITH LED DISPLAY COMPONENTS SELECTED FOR 200mV FULL SCALE

**Design Information Summary Sheet**

• **OSCILLATOR FREQUENCY**

$f_{OSC} = 0.45/RC$   
 $C_{OSC} > 50pF; R_{OSC} > 50k\Omega$   
 $f_{OSC} (Typ) = 48kHz$

• **OSCILLATOR PERIOD**

$t_{OSC} = RC/0.45$

• **INTEGRATION CLOCK FREQUENCY**

$f_{CLOCK} = f_{OSC}/4$

• **INTEGRATION PERIOD**

$t_{INT} = 1000 \times (4/f_{OSC})$

• **60/50Hz REJECTION CRITERION**

$t_{INT}/t_{60Hz}$  or  $t_{INT}/t_{50Hz} = \text{Integer}$

• **OPTIMUM INTEGRATION CURRENT**

$I_{INT} = 1\mu A$

• **FULL SCALE ANALOG INPUT VOLTAGE**

$V_{INFS} (Typ) = 200mV$  or  $2V$

• **INTEGRATE RESISTOR**

$R_{INT} = \frac{V_{INFS}}{I_{INT}}$

• **INTEGRATE CAPACITOR**

$C_{INT} = \frac{(t_{INT})(I_{INT})}{V_{INT}}$

• **INTEGRATOR OUTPUT VOLTAGE SWING**

$V_{INT} = \frac{(t_{INT})(I_{INT})}{C_{INT}}$

• **V<sub>INT</sub> MAXIMUM SWING:**

$(V- + 0.5V) < V_{INT} < (V+ - 0.5V)$ ,  $V_{INT} (Typ) = 2V$

• **DISPLAY COUNT**

$COUNT = 1000 \times \frac{V_{IN}}{V_{REF}}$

• **CONVERSION CYCLE**

$t_{CYC} = t_{CLOCK} \times 4000$   
 $t_{CYC} = t_{OSC} \times 16,000$   
 when  $f_{OSC} = 48kHz$ ;  $t_{CYC} = 333ms$

• **COMMON MODE INPUT VOLTAGE**

$(V- + 1V) < V_{IN} < (V+ - 0.5V)$

• **AUTO-ZERO CAPACITOR**

$0.01\mu F < C_{AZ} < 1\mu F$

• **REFERENCE CAPACITOR**

$0.1\mu F < C_{REF} < 1\mu F$

• **V<sub>COM</sub>**

Biased between V+ and V-.

• **V<sub>COM</sub> ≡ V+ - 2.8V**

Regulation lost when V+ to V- < ≅6.8V.  
 If V<sub>COM</sub> is externally pulled down to (V+ to V-)/2, the V<sub>COM</sub> circuit will turn off.

• **ICL7136 POWER SUPPLY: SINGLE 9V**

V+ - V- = 9V  
 Digital supply is generated internally  
 $V_{TEST} \equiv V+ - 4.5V$

• **ICL7136 DISPLAY: LCD**

Type: Direct drive with digital logic supply amplitude.

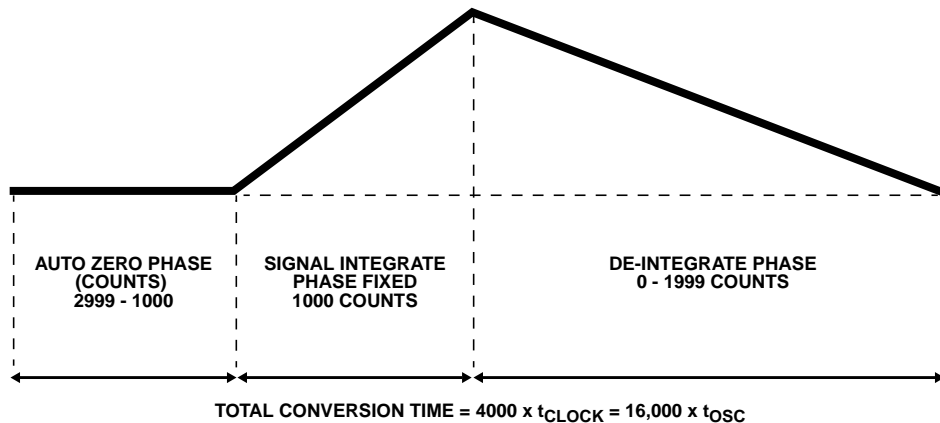
• **ICL7137 POWER SUPPLY: DUAL ±5.0V**

V+ = +5V to GND  
 V- = -5V to GND  
 Digital Logic and LED driver supply V+ to GND

• **ICL7137 DISPLAY: LED**

Type: Non-Multiplexed Common Anode

**Typical Integrator Amplifier Output Waveform (INT Pin)**



**ICL7136, ICL7137**

**Pin Descriptions**

| PIN NUMBER     |                 | NAME                                   | FUNCTION                  | DESCRIPTION   |
|----------------|-----------------|--|---------------------------|---|
| 40 PIN DIP     | 44 PIN FLATPACK |  |                           |   |
| 1              | 8               | V+                                     | Supply                    | Power Supply.   |
| 2              | 9               | D1                                     | Output                    | Driver Pin for Segment "D" of the display units digit.  |
| 3              | 10              | C1                                     | Output                    | Driver Pin for Segment "C" of the display units digit.  |
| 4              | 11              | B1                                     | Output                    | Driver Pin for Segment "B" of the display units digit.  |
| 5              | 12              | A1                                     | Output                    | Driver Pin for Segment "A" of the display units digit.  |
| 6              | 13              | F1                                     | Output                    | Driver Pin for Segment "F" of the display units digit.  |
| 7              | 14              | G1                                     | Output                    | Driver Pin for Segment "G" of the display units digit.  |
| 8              | 15              | E1                                     | Output                    | Driver Pin for Segment "E" of the display units digit.  |
| 9              | 16              | D2                                     | Output                    | Driver Pin for Segment "D" of the display tens digit.   |
| 10             | 17              | C2                                     | Output                    | Driver Pin for Segment "C" of the display tens digit.   |
| 11             | 18              | B2                                     | Output                    | Driver Pin for Segment "B" of the display tens digit.   |
| 12             | 19              | A2                                     | Output                    | Driver Pin for Segment "A" of the display tens digit.   |
| 13             | 20              | F2                                     | Output                    | Driver Pin for Segment "F" of the display tens digit.   |
| 14             | 21              | E2                                     | Output                    | Driver Pin for Segment "E" of the display tens digit.   |
| 15             | 22              | D3                                     | Output                    | Driver pin for segment "D" of the display hundreds digit.   |
| 16             | 23              | B3                                     | Output                    | Driver pin for segment "B" of the display hundreds digit.   |
| 17             | 24              | F3                                     | Output                    | Driver pin for segment "F" of the display hundreds digit.   |
| 18             | 25              | E3                                     | Output                    | Driver pin for segment "E" of the display hundreds digit.   |
| 19             | 26              | AB4                                    | Output                    | Driver pin for both "A" and "B" segments of the display thousands digit.  |
| 20             | 27              | POL                                    | Output                    | Driver pin for the negative sign of the display.  |
| 21             | 28              | BP/GND                                 | Output                    | Driver pin for the LCD backplane/Power Supply Ground.   |
| 22             | 29              | G3                                     | Output                    | Driver pin for segment "G" of the display hundreds digit.   |
| 23             | 30              | A3                                     | Output                    | Driver pin for segment "A" of the display hundreds digit.   |
| 24             | 31              | C3                                     | Output                    | Driver pin for segment "C" of the display hundreds digit.   |
| 25             | 32              | G2                                     | Output                    | Driver pin for segment "G" of the display tens digit.   |
| 26             | 34              | V                                      | Supply                    | Negative power supply.  |
| 27             | 35              | INT                                    | Output                    | Integrator amplifier output. To be connected to integrating capacitor.  |
| 28             | 36              | BUFF                                   | Output                    | Input buffer amplifier output. To be connected to integrating resistor.   |
| 29             | 37              | A-Z                                    | Input                     | Integrator amplifier input. To be connected to auto-zero capacitor.   |
| 30<br>31       | 38<br>39        | IN LO<br>IN HI                         | Input                     | Differential inputs. To be connected to input voltage to be measured. LO and HI designators are for reference and do not imply that LO should be connected to lower potential, e.g., for negative inputs IN LO has a higher potential than IN HI. |
| 32             | 40              | COMMON                                 | Supply/<br>Output         | Internal voltage reference output.  |
| 33<br>34       | 41<br>42        | C <sub>REF-</sub><br>C <sub>REF+</sub> |                           | Connection pins for reference capacitor.  |
| 35<br>36       | 43<br>44        | REF LO<br>REF HI                       | Input                     | Input pins for reference voltage to the device. REF HI should be positive reference to REF LO.  |
| 37             | 3               | TEST                                   | Input                     | Display test. Turns on all segments when tied to V+.  |
| 38<br>39<br>40 | 4<br>6<br>7     | OSC3<br>OSC2<br>OSC1                   | Output<br>Output<br>Input | Device clock generator circuit connection pins.   |

**Detailed Description**

**Analog Section**

Figure 3 shows the Analog Section for the ICL7136 and ICL7137. Each measurement cycle is divided into four phases. They are (1) auto-zero (A-Z), (2) signal integrate (INT) and (3) de-integrate (DE), (4) zero integrate (ZI).

**Auto-Zero Phase**

During auto-zero three things happen. First, input high and low are disconnected from the pins and internally shorted to analog COMMON. Second, the reference capacitor is charged to the reference voltage. Third, a feedback loop is closed around the system to charge the auto-zero capacitor  $C_{AZ}$  to compensate for offset voltages in the buffer amplifier, integrator, and comparator. Since the comparator is included in the loop, the A-Z accuracy is limited only by the noise of the system. In any case, the offset referred to the input is less than  $10\mu V$ .

**Signal Integrate Phase**

During signal integrate, the auto-zero loop is opened, the internal short is removed, and the internal input high and low are connected to the external pins. The converter then integrates the differential voltage between IN HI and IN LO for a fixed time. This differential voltage can be within a wide common mode range: up to 1V from either supply. If, on the other hand, the input signal has no return with respect to the converter power supply, IN LO can be tied to analog COMMON to establish the correct common mode voltage. At the end of this phase, the polarity of the integrated signal is determined.

**De-Integrate Phase**

The final phase is de-integrate, or reference integrate. Input low is internally connected to analog COMMON and input

high is connected across the previously charged reference capacitor. Circuitry within the chip ensures that the capacitor will be connected with the correct polarity to cause the integrator output to return to zero. The time required for the output to return to zero is proportional to the input signal. Specifically the digital reading displayed is:

$$\text{DISPLAY READING} = 1000 \left( \frac{V_{IN}}{V_{REF}} \right).$$

**Zero Integrator Phase**

The final phase is zero integrator. First, input low is shorted to analog COMMON. Second, the reference capacitor is charged to the reference voltage. Finally, a feedback loop is closed around the system to IN HI to cause the integrator output to return to zero. Under normal conditions, this phase lasts for between 11 to 140 clock pulses, but after a "heavy" overrange conversion, it is extended to 740 clock pulses.

**Differential Input**

The input can accept differential voltages anywhere within the common mode range of the input amplifier, or specifically from 0.5V below the positive supply to 1V above the negative supply. In this range, the system has a CMRR of 86dB typical. However, care must be exercised to assure the integrator output does not saturate. A worst case condition would be a large positive common mode voltage with a near full scale negative differential input voltage. The negative input signal drives the integrator positive when most of its swing has been used up by the positive common mode voltage. For these critical applications the integrator output swing can be reduced to less than the recommended 2V full scale swing with little loss of accuracy. The integrator output can swing to within 0.3V of either supply without loss of linearity.

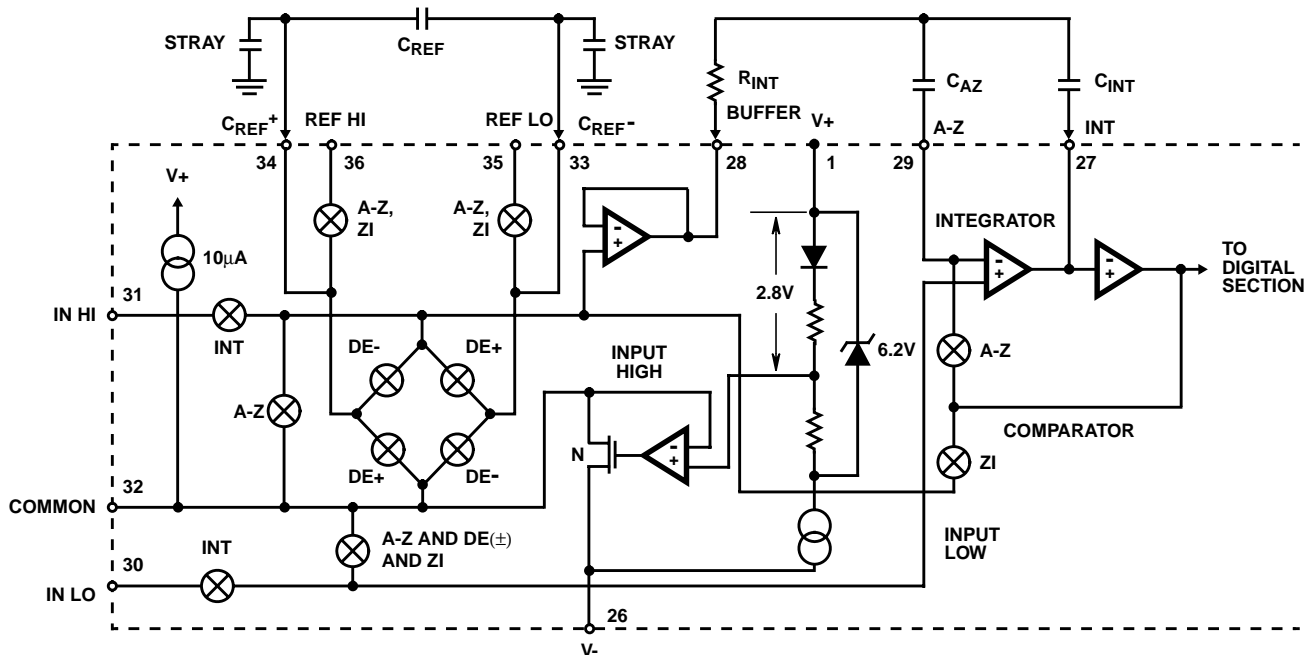


FIGURE 3. ANALOG SECTION OF ICL7136 AND ICL7137

**Differential Reference**

The reference voltage can be generated anywhere within the power supply voltage of the converter. The main source of common mode error is a roll-over voltage caused by the reference capacitor losing or gaining charge to stray capacity on its nodes. If there is a large common mode voltage, the reference capacitor can gain charge (increase voltage) when called up to de-integrate a positive signal but lose charge (decrease voltage) when called up to de-integrate a negative input signal. This difference in reference for positive or negative input voltage will give a roll-over error. However, by selecting the reference capacitor such that it is large enough in comparison to the stray capacitance, this error can be held to less than 0.5 count worst case. (See Component Value Selection.)

**Analog COMMON**

This pin is included primarily to set the common mode voltage for battery operation (ICL7136) or for any system where the input signals are floating with respect to the power supply. The COMMON pin sets a voltage that is approximately 2.8V more negative than the positive supply. This is selected to give a minimum end-of-life battery voltage of about 6.8V. However, analog COMMON has some of the attributes of a reference voltage. When the total supply voltage is large enough to cause the zener to regulate ( $>7V$ ), the COMMON voltage will have a low voltage coefficient ( $0.001\%/V$ ), low output impedance ( $\approx 15\Omega$ ), and a temperature coefficient typically less than  $150\text{ppm}/^\circ\text{C}$ .

The limitations of the on chip reference should also be recognized, however. With the ICL7137, the internal heating which results from the LED drivers can cause some degradation in performance. Due to their higher thermal resistance, plastic parts are poorer in this respect than ceramic. The combination of reference Temperature Coefficient (TC), internal chip dissipation, and package thermal resistance can increase noise near full scale from  $25\mu\text{V}$  to  $80\mu\text{V}_{\text{p-p}}$ . Also the linearity in going from a high dissipation count such as 1000 (20 segments on) to a low dissipation count such as 1111 (8 segments on) can suffer by a count or more. Devices with a positive TC reference may require several counts to pull out of an over range condition. This is because over-range is a low dissipation mode, with the three least significant digits blanked. Similarly, units with a negative TC may cycle between over range and a non-over range count as the die alternately heats and cools. All these problems are of course eliminated if an external reference is used.

The ICL7136, with its negligible dissipation, suffers from none of these problems. In either case, an external reference can easily be added, as shown in Figure 4.

Analog COMMON is also used as the input low return during auto-zero and de-integrate. If IN LO is different from analog COMMON, a common mode voltage exists in the system and is taken care of by the excellent CMRR of the converter. However, in some applications IN LO will be set at a fixed known voltage (power supply common for instance). In this application, analog COMMON should be tied to the same point, thus removing the common mode voltage from the converter. The same holds true for the reference voltage. If

reference can be conveniently tied to analog COMMON, it should be since this removes the common mode voltage from the reference system.

Within the IC, analog COMMON is tied to an N-Channel FET that can sink approximately 3mA of current to hold the voltage 2.8V below the positive supply (when a load is trying to pull the common line positive). However, there is only  $10\mu\text{A}$  of source current, so COMMON may easily be tied to a more negative voltage thus overriding the internal reference.

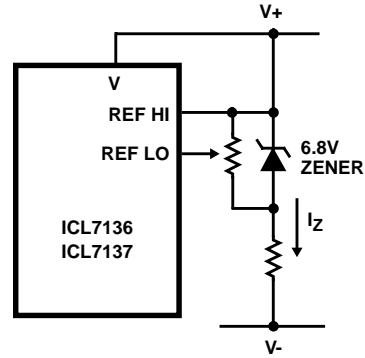


FIGURE 4A.

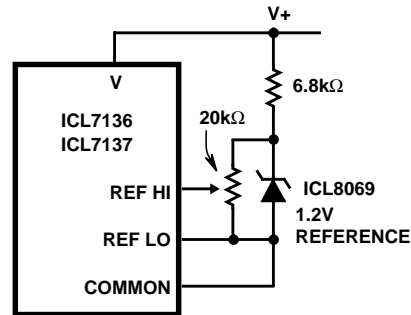


FIGURE 4B.

FIGURE 4. USING AN EXTERNAL REFERENCE

**TEST**

The TEST pin serves two functions. On the ICL7136 it is coupled to the internally generated digital supply through a  $500\Omega$  resistor. Thus it can be used as the negative supply for externally generated segment drivers such as decimal points or any other presentation the user may want to include on the LCD display. Figures 5 and 6 show such an application. No more than a 1mA load should be applied.

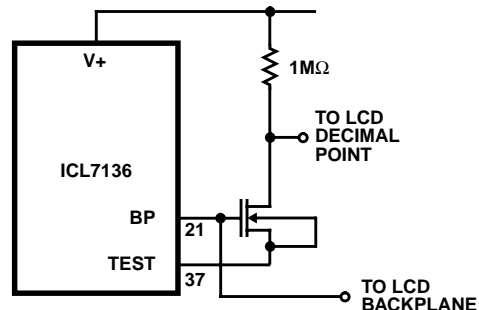


FIGURE 5. SIMPLE INVERTER FOR FIXED DECIMAL POINT





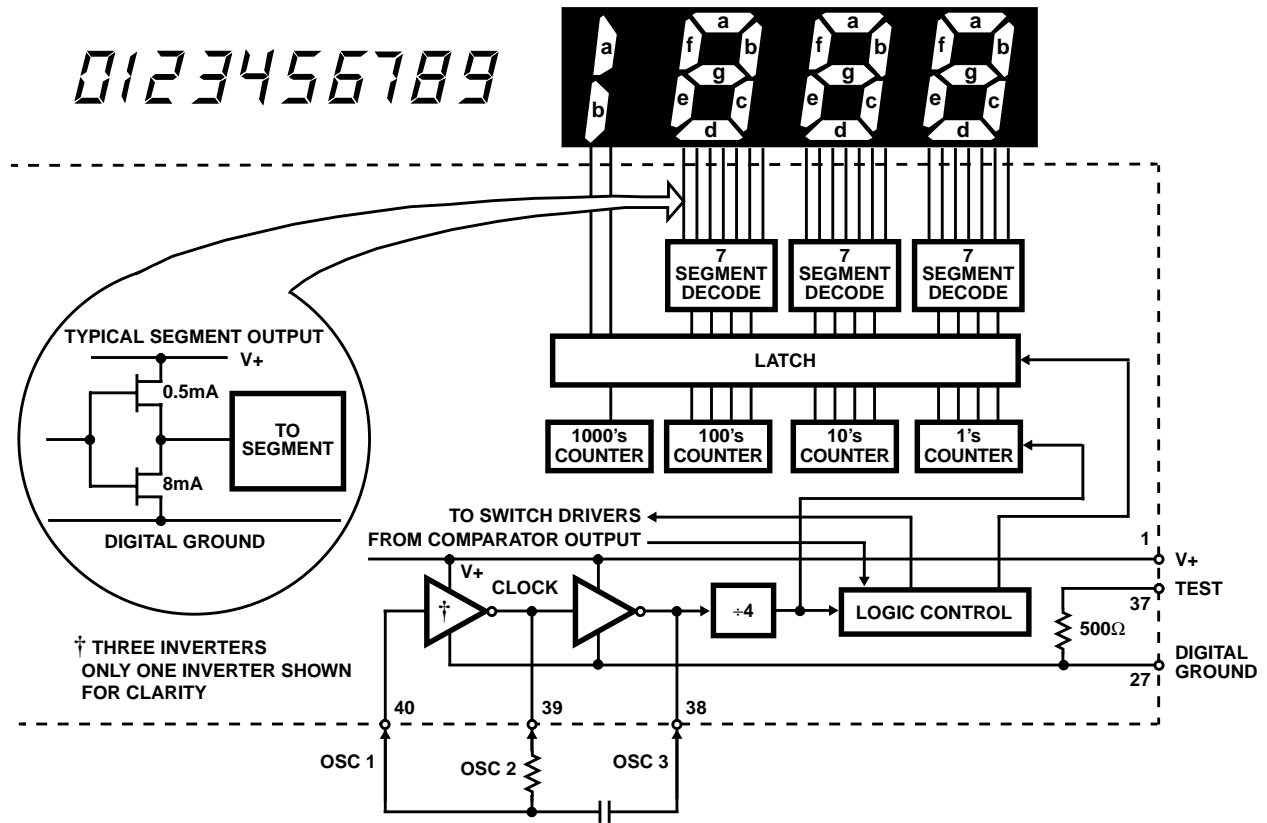


FIGURE 8. ICL7137 DIGITAL SECTION

**System Timing**

Figure 9 shows the clocking arrangement used in the ICL7136 and ICL7137. Two basic clocking arrangements can be used:

1. Figure 9A, an external oscillator connected to pin 40.
2. Figure 9B, an R-C oscillator using all three pins.

The oscillator frequency is divided by four before it clocks the decade counters. It is then further divided to form the three convert-cycle phases. These are signal integrate (1000 counts), reference de-integrate (0 to 2000 counts) and auto-zero (1000 to 3000 counts). For signals less than full scale, auto-zero gets the unused portion of reference de-integrate. This makes a complete measure cycle of 4,000 counts (16,000 clock pulses) independent of input voltage. For three readings/second, an oscillator frequency of 48kHz would be used.

To achieve maximum rejection of 60Hz pickup, the signal integrate cycle should be a multiple of 60Hz. Oscillator frequencies of 240kHz, 120kHz, 80kHz, 60kHz, 48kHz, 40kHz,  $33\frac{1}{3}$ kHz, etc., should be selected. For 50Hz rejection, Oscillator frequencies of 200kHz, 100kHz,  $66\frac{2}{3}$ kHz, 50kHz, 40kHz, etc. would be suitable. Note that 40kHz (2.5 readings/sec.) will reject both 50Hz and 60Hz (also 400Hz and 440Hz).

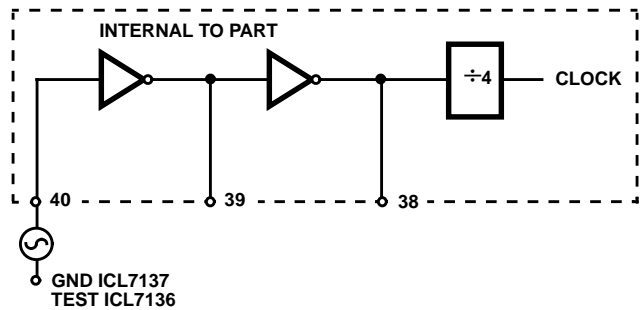


FIGURE 9A. EXTERNAL OSCILLATOR

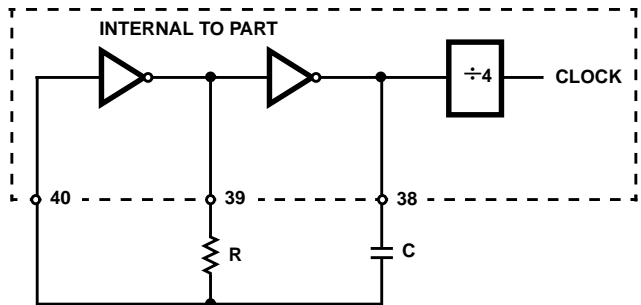


FIGURE 9B. RC OSCILLATOR

FIGURE 9. CLOCK CIRCUITS

## Component Value Selection

### Integrating Resistor

Both the buffer amplifier and the integrator have a class A output stage with 100 $\mu$ A of quiescent current. They can supply 1 $\mu$ A of drive current with negligible nonlinearity. The integrating resistor should be large enough to remain in this very linear region over the input voltage range, but small enough that undue leakage requirements are not placed on the PC board. For 2V full scale, 1.8M $\Omega$  is near optimum and similarly a 180k $\Omega$  for a 200mV scale.

### Integrating Capacitor

The integrating capacitor should be selected to give the maximum voltage swing that ensures tolerance buildup will not saturate the integrator swing (approximately 0.3V from either supply). In the ICL7136 or the ICL7137, when the analog COMMON is used as a reference, a nominal +2V full-scale integrator swing is fine. For the ICL7137 with +5V supplies and analog COMMON tied to supply ground, a  $\pm$ 3.5V to +4V swing is nominal. For three readings/second (48kHz clock) nominal values for C<sub>INT</sub> are 0.047 $\mu$ F and 0.5 $\mu$ F, respectively. Of course, if different oscillator frequencies are used, these values should be changed in inverse proportion to maintain the same output swing.

An additional requirement of the integrating capacitor is that it must have a low dielectric absorption to prevent roll-over errors. While other types of capacitors are adequate for this application, polypropylene capacitors give undetectable errors at reasonable cost.

### Auto-Zero Capacitor

The size of the auto-zero capacitor has some influence on the noise of the system. For 200mV full scale where noise is very important, a 0.47 $\mu$ F capacitor is recommended. On the 2V scale, a 0.047 $\mu$ F capacitor increases the speed of recovery from overload and is adequate for noise on this scale.

### Reference Capacitor

A 0.1 $\mu$ F capacitor gives good results in most applications. However, where a large common mode voltage exists (i.e., the REF LO pin is not at analog COMMON) and a 200mV scale is used, a larger value is required to prevent roll-over error. Generally 1 $\mu$ F will hold the roll-over error to 0.5 count in this instance.

### Oscillator Components

For all ranges of frequency a 180k $\Omega$  resistor is recommended and the capacitor is selected from the equation

$$f = \frac{0.45}{RC} \text{ For 48kHz Clock (3 Readings/sec.),}$$

$$C = 50\text{pF.}$$

### Reference Voltage

The analog input required to generate full scale output (2000 counts) is:  $V_{IN} = 2V_{REF}$ . Thus, for the 200mV and 2V scale,  $V_{REF}$  should equal 100mV and 1V, respectively. However, in many applications where the A/D is connected to a transducer, there will exist a scale factor other than unity between the input voltage and the digital reading. For instance, in a weighing system, the designer might like to have a full scale reading when the voltage from the transducer is 0.662V. Instead of dividing the input down to 200mV, the designer should use the input voltage directly and select  $V_{REF} = 0.341V$ . Suitable values for integrating resistor and capacitor would be 330k $\Omega$  and 0.047 $\mu$ F. This makes the system slightly quieter and also avoids a divider network on the input. The ICL7137 with  $\pm$ 5V supplies can accept input signals up to  $\pm$ 4V. Another advantage of this system occurs when a digital reading of zero is desired for  $V_{IN} \neq 0$ . Temperature and weighing systems with a variable fare are examples. This offset reading can be conveniently generated by connecting the voltage transducer between IN HI and COMMON and the variable (or fixed) offset voltage between COMMON and IN LO.

### ICL7137 Power Supplies

The ICL7137 is designed to work from  $\pm$ 5V supplies. However, if a negative supply is not available, it can be generated from the clock output with 2 diodes, 2 capacitors, and an inexpensive IC. Figure 10 shows this application. See ICL7660 data sheet for an alternative.

In fact, in selected applications no negative supply is required. The conditions to use a single +5V supply are:

1. The input signal can be referenced to the center of the common mode range of the converter.
2. The signal is less than  $\pm$ 1.5V.
3. An external reference is used.

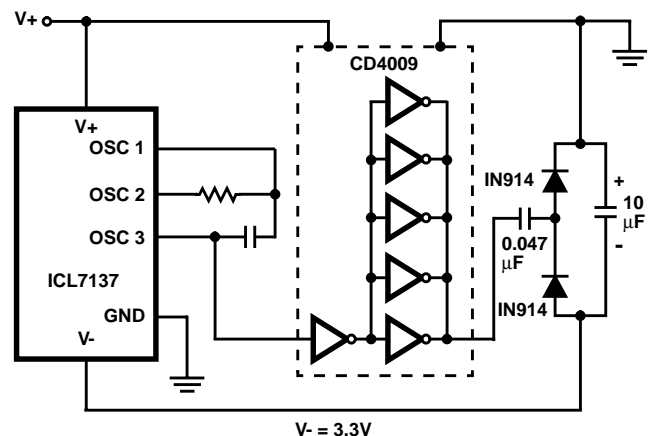


FIGURE 10. GENERATING NEGATIVE SUPPLY FROM +5V

**Typical Applications**

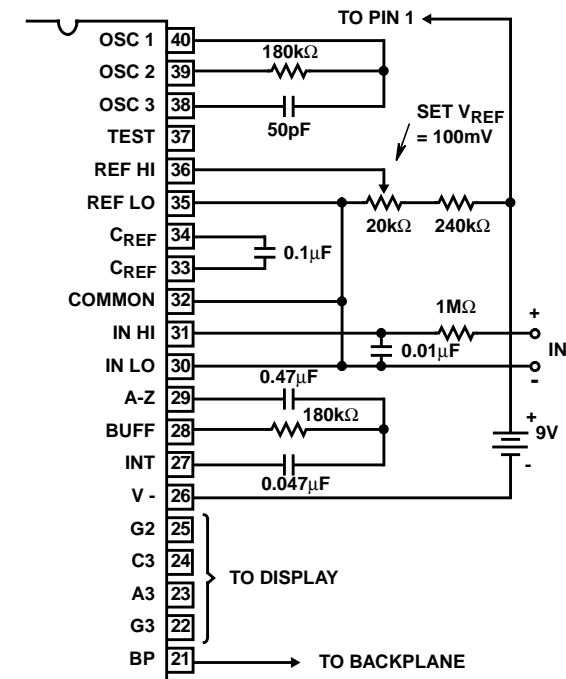
The ICL7136 and ICL7137 may be used in a wide variety of configurations. The circuits which follow show some of the possibilities, and serve to illustrate the exceptional versatility of these A/D converters.

The following application notes contain very useful information on understanding and applying this part and are available from Intersil semiconductor.

**Application Notes**

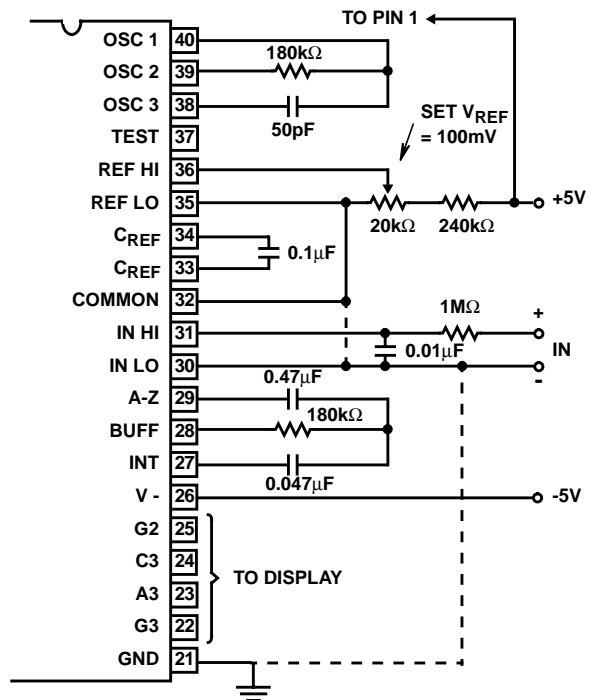
| NOTE # | DESCRIPTION   | AnswerFAX DOC. # |
|--------|---|------------------|
| AN016  | "Selecting A/D Converters"  | 9016             |
| AN017  | "The Integrating A/D Converter"   | 9017             |
| AN018  | "Do's and Don'ts of Applying A/D Converters"  | 9018             |
| AN023  | "Low Cost Digital Panel Meter Designs"  | 9023             |
| AN032  | "Understanding the Auto-Zero and Common Mode Performance of the ICL7136/7/9 Family" | 9032             |
| AN046  | "Building a Battery-Operated Auto Ranging DVM with the ICL7106"                     | 9046             |
| AN052  | "Tips for Using Single Chip 3 <sup>1</sup> / <sub>2</sub> Digit A/D Converters"     | 9052             |

**Typical Applications**



Values shown are for 200mV full scale, 3 readings/sec., floating supply voltage (9V battery).

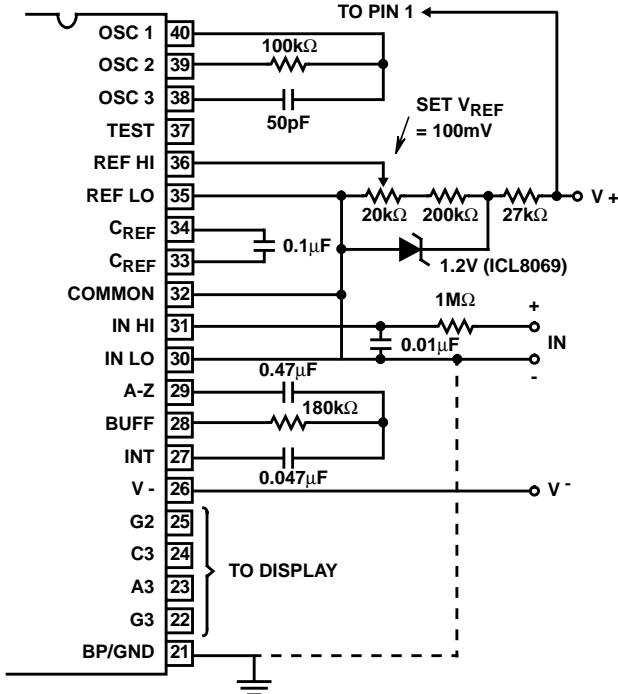
FIGURE 11. ICL7136 USING THE INTERNAL REFERENCE



Values shown are for 200mV full scale, 3 readings/sec. IN LO may be tied to either COMMON for inputs floating with respect to supplies, or GND for single ended inputs. (See discussion under Analog COMMON.)

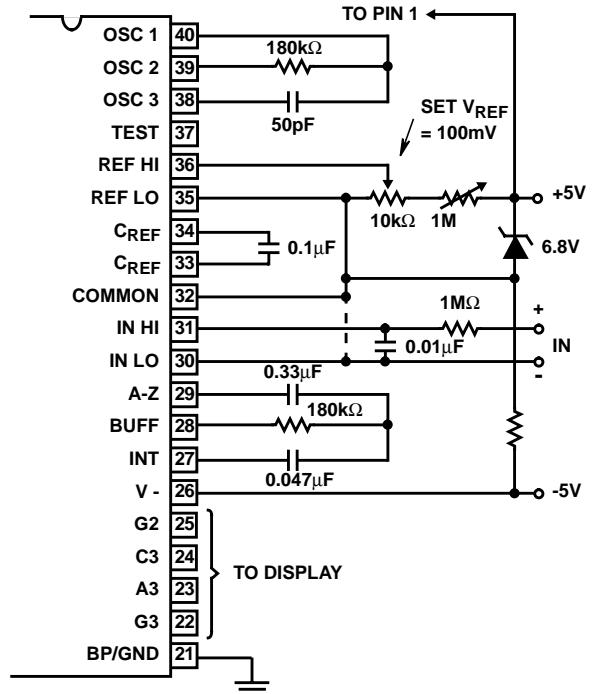
FIGURE 12. ICL7137 USING THE INTERNAL REFERENCE

Typical Applications (Continued)



IN LO is tied to supply COMMON establishing the correct common mode voltage. If COMMON is not shorted to GND, the input voltage may float with respect to the power supply and COMMON acts as a pre-regulator for the reference. If COMMON is shorted to GND, the input is single ended (referred to supply GND) and the pre-regulator is overridden.

FIGURE 13. ICL7137 WITH AN EXTERNAL BAND-GAP REFERENCE (1.2V TYPE)



Since low TC zeners have breakdown voltages ~ 6.8V, diode must be placed across the total supply (10V). As in the case of Figure 14, IN LO may be tied to either COMMON or GND

FIGURE 14. ICL7137 WITH ZENER DIODE REFERENCE

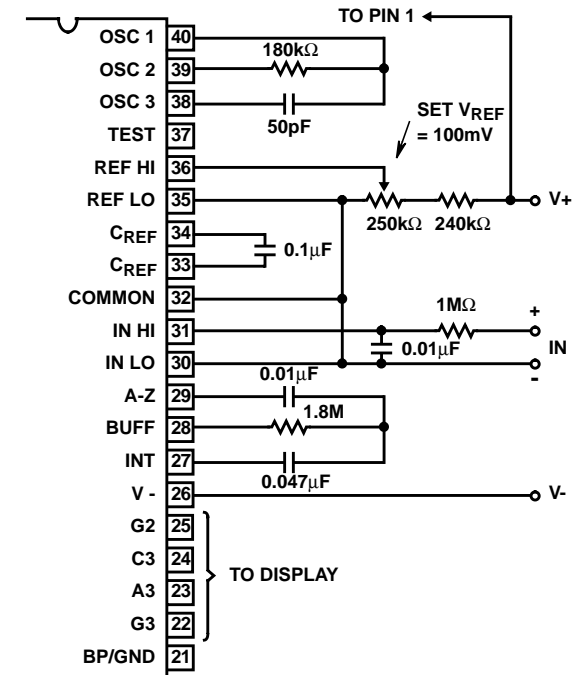
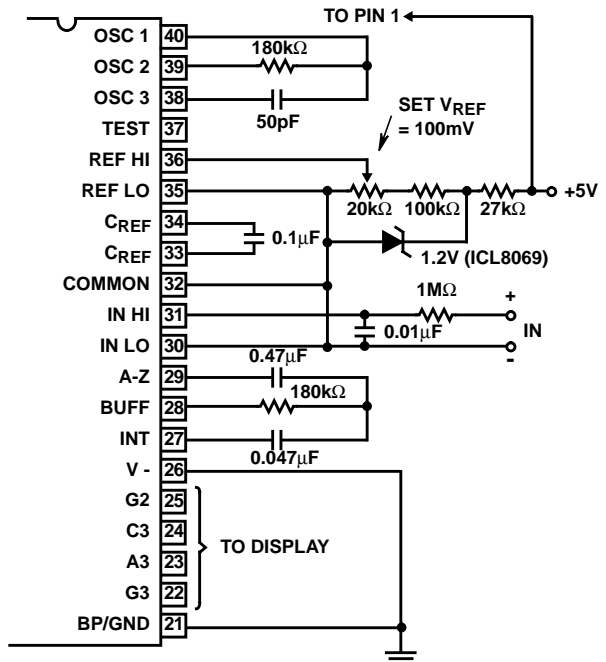


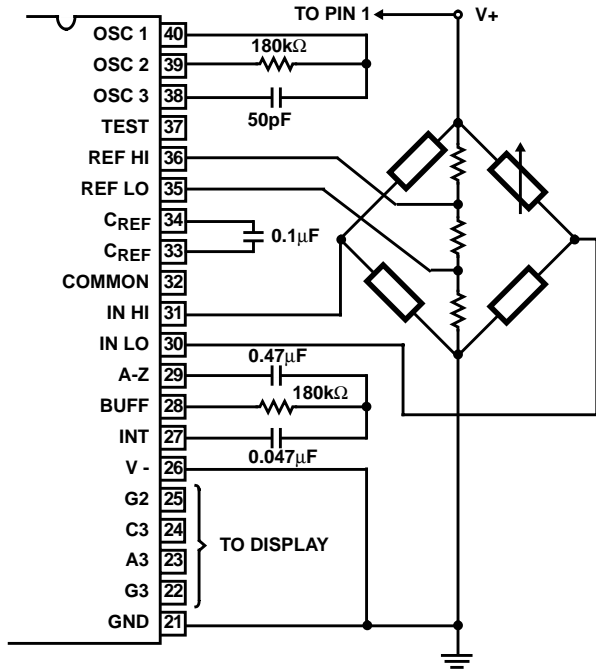
FIGURE 15. ICL7136 AND ICL7137: RECOMMENDED COMPONENT VALUES FOR 2V FULL SCALE



An external reference must be used in this application, since the voltage between V+ and V- is insufficient for correct operation of the internal reference.

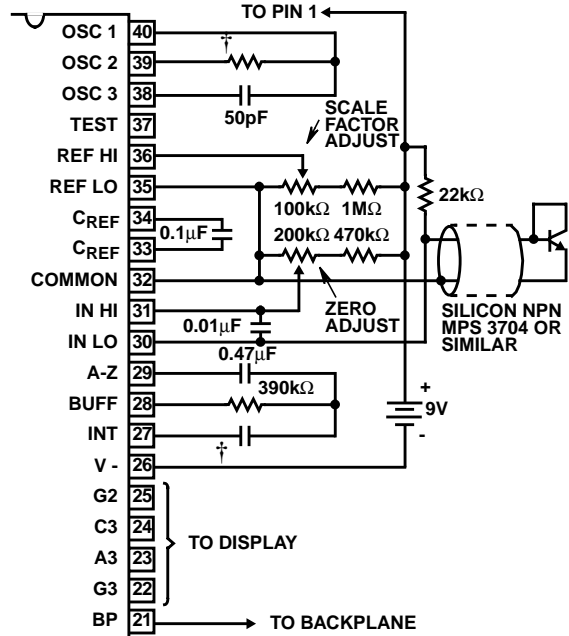
FIGURE 16. ICL7137 OPERATED FROM SINGLE +5V

Typical Applications (Continued)



The resistor values within the bridge are determined by the desired sensitivity.

FIGURE 17. ICL7137 MEASURING RATIOMETRIC VALUES OF QUAD LOAD CELL



A silicon diode-connected transistor has a temperature coefficient of about  $-2\text{mV}/^\circ\text{C}$ . Calibration is achieved by placing the sensing transistor in ice water and adjusting the zeroing potentiometer for a 000.0 reading. The sensor should then be placed in boiling water and the scale-factor potentiometer adjusted for a 100.0 reading. † Value depends on clock frequency.

FIGURE 18. ICL7136 USED AS A DIGITAL CENTIGRADE THERMOMETER

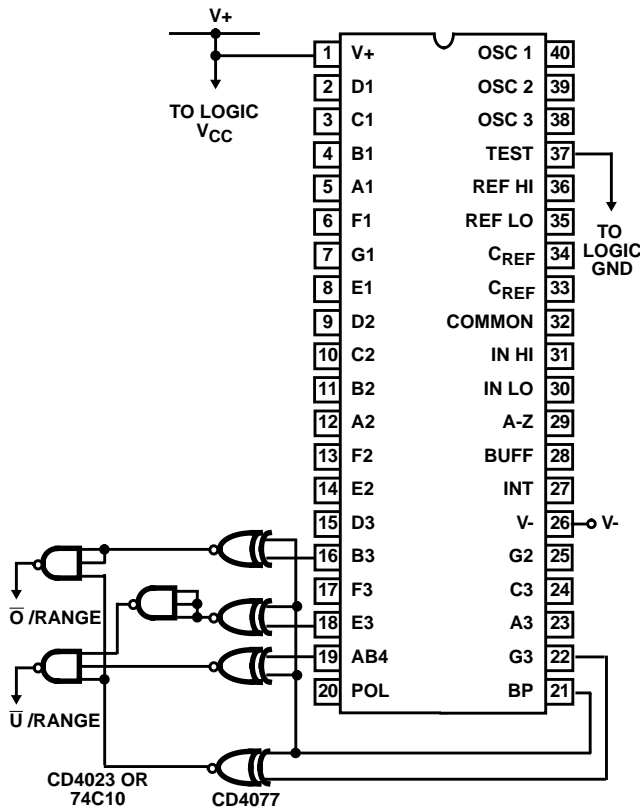


FIGURE 19. CIRCUIT FOR DEVELOPING UNDERRANGE AND OVERRANGE SIGNAL FROM ICL7136 OUTPUTS

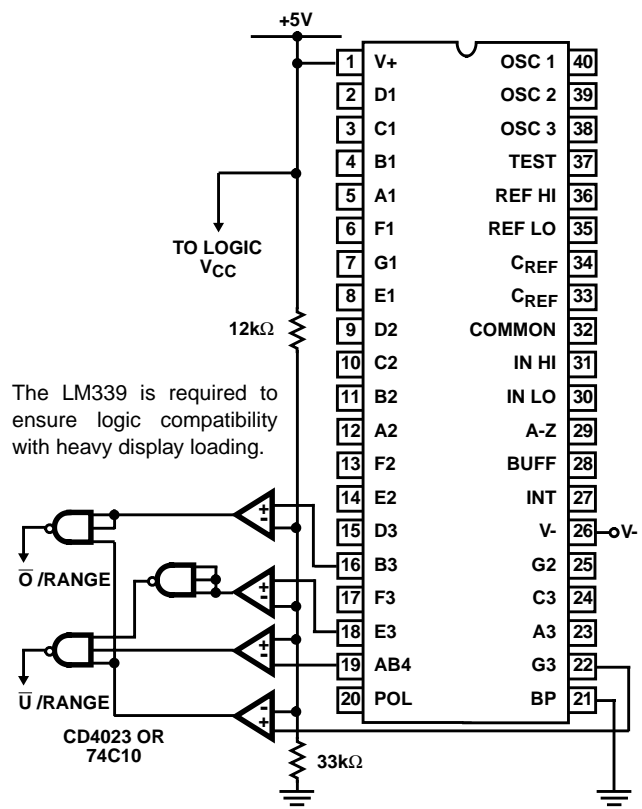
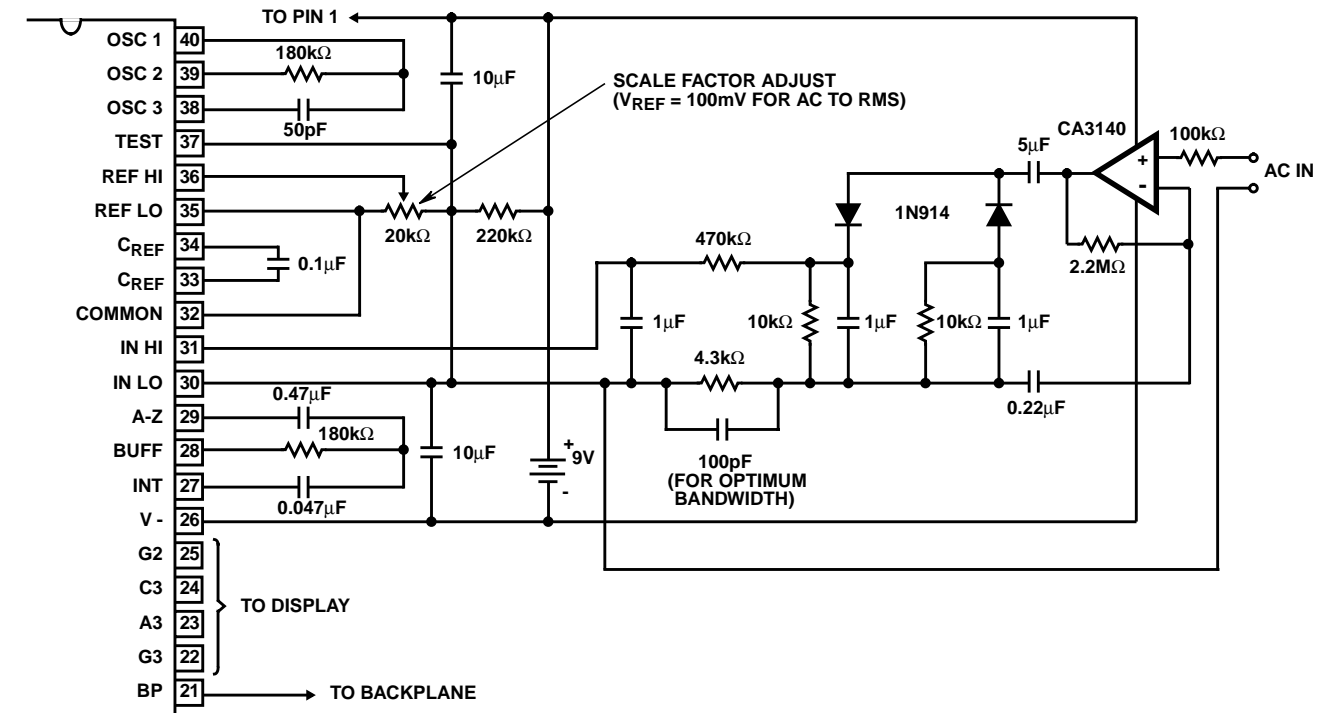


FIGURE 20. CIRCUIT FOR DEVELOPING UNDERRANGE AND OVERRANGE SIGNALS FROM ICL7137 OUTPUT

Typical Applications (Continued)



Test is used as a common-mode reference level to ensure compatibility with most op amps.

FIGURE 21. AC TO DC CONVERTER WITH ICL7136

# ICL7136, ICL7137

## Die Characteristics

### DIE DIMENSIONS:

127 mils x 149 mils

### METALLIZATION:

Type: Al

Thickness:  $10\text{k}\text{\AA} \pm 1\text{k}\text{\AA}$

### PASSIVATION:

Type: PSG Nitride

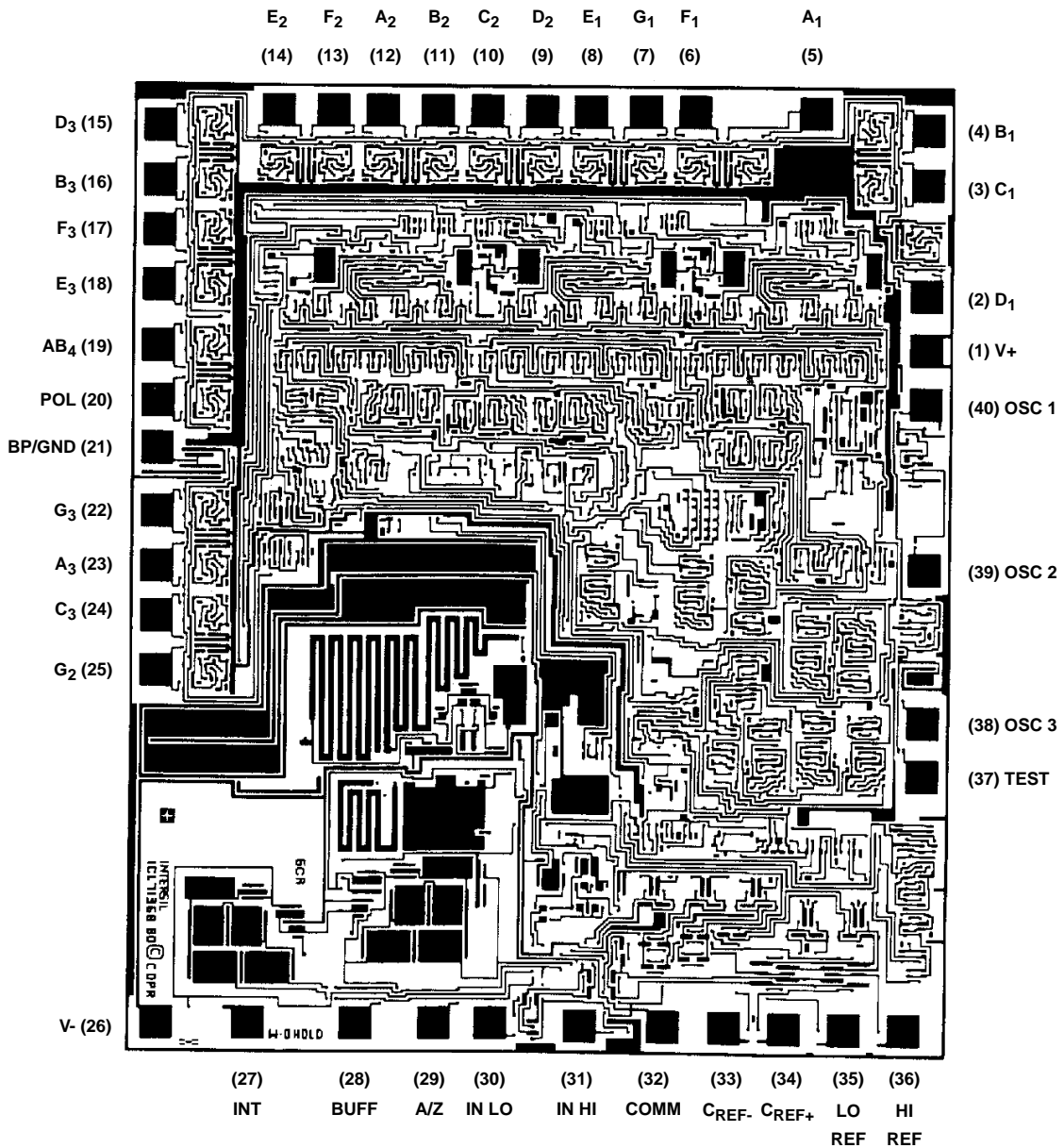
Thickness:  $15\text{k}\text{\AA} \pm 3\text{k}\text{\AA}$

### WORST CASE CURRENT DENSITY:

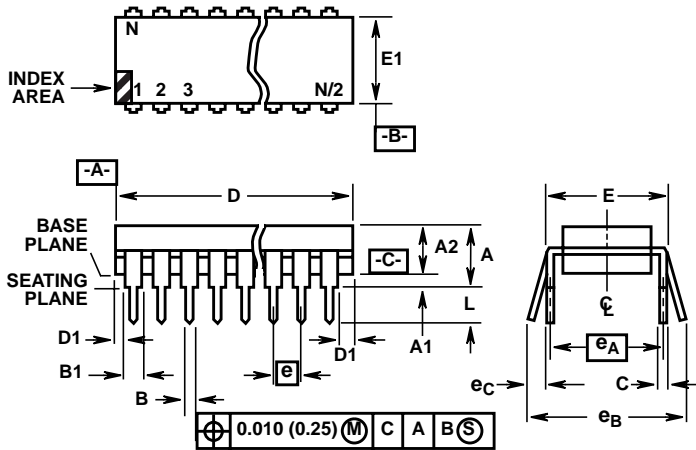
$9.1 \times 10^4 \text{ A/cm}^2$

## Metallization Mask Layout

ICL7136, ICL7137



Dual-In-Line Plastic Packages (PDIP)



NOTES:

1. Controlling Dimensions: INCH. In case of conflict between English and Metric dimensions, the inch dimensions control.
2. Dimensioning and tolerancing per ANSI Y14.5M-1982.
3. Symbols are defined in the "MO Series Symbol List" in Section 2.2 of Publication No. 95.
4. Dimensions A, A1 and L are measured with the package seated in JEDEC seating plane gauge GS-3.
5. D, D1, and E1 dimensions do not include mold flash or protrusions. Mold flash or protrusions shall not exceed 0.010 inch (0.25mm).
6. E and  $e_A$  are measured with the leads constrained to be perpendicular to datum  $-C-$ .
7.  $e_B$  and  $e_C$  are measured at the lead tips with the leads unconstrained.  $e_C$  must be zero or greater.
8. B1 maximum dimensions do not include dambar protrusions. Dambar protrusions shall not exceed 0.010 inch (0.25mm).
9. N is the maximum number of terminal positions.
10. Corner leads (1, N, N/2 and N/2 + 1) for E8.3, E16.3, E18.3, E28.3, E42.6 will have a B1 dimension of 0.030 - 0.045 inch (0.76 - 1.14mm).

E40.6 (JEDEC MS-011-AC ISSUE B)  
40 LEAD DUAL-IN-LINE PLASTIC PACKAGE

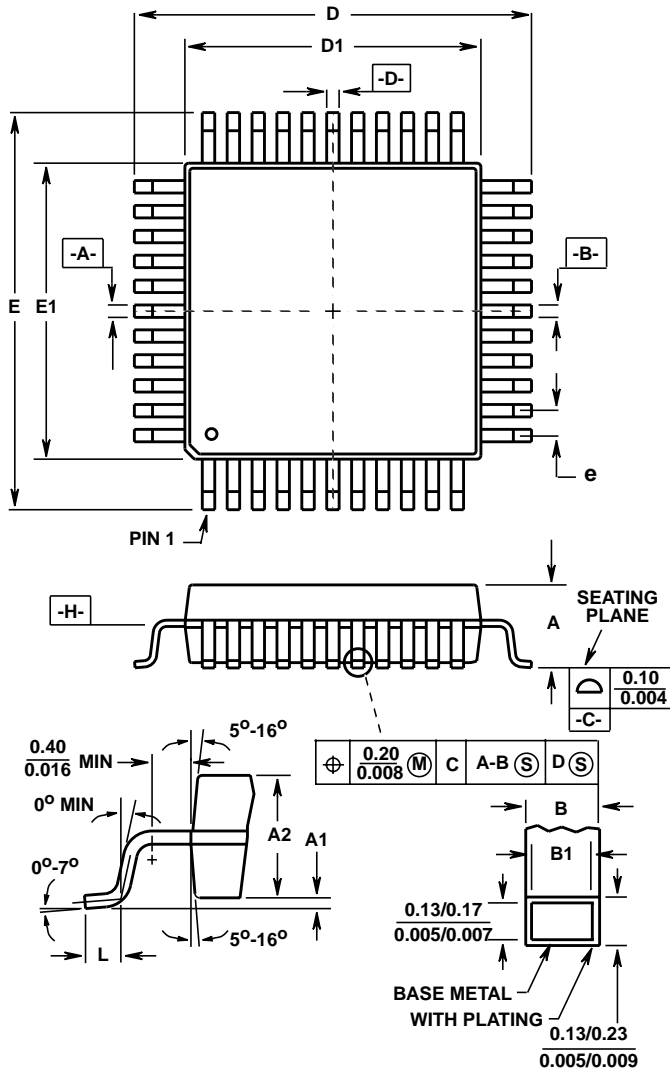
| SYMBOL | INCHES    |       | MILLIMETERS |       | NOTES |
|--------|-----------|-------|-------------|-------|-------|
|        | MIN       | MAX   | MIN         | MAX   |       |
| A      | -         | 0.250 | -           | 6.35  | 4     |
| A1     | 0.015     | -     | 0.39        | -     | 4     |
| A2     | 0.125     | 0.195 | 3.18        | 4.95  | -     |
| B      | 0.014     | 0.022 | 0.356       | 0.558 | -     |
| B1     | 0.030     | 0.070 | 0.77        | 1.77  | 8     |
| C      | 0.008     | 0.015 | 0.204       | 0.381 | -     |
| D      | 1.980     | 2.095 | 50.3        | 53.2  | 5     |
| D1     | 0.005     | -     | 0.13        | -     | 5     |
| E      | 0.600     | 0.625 | 15.24       | 15.87 | 6     |
| E1     | 0.485     | 0.580 | 12.32       | 14.73 | 5     |
| e      | 0.100 BSC |       | 2.54 BSC    |       | -     |
| $e_A$  | 0.600 BSC |       | 15.24 BSC   |       | 6     |
| $e_B$  | -         | 0.700 | -           | 17.78 | 7     |
| L      | 0.115     | 0.200 | 2.93        | 5.08  | 4     |
| N      | 40        |       | 40          |       | 9     |

Rev. 0 12/93



# ICL7136, ICL7137

## Metric Plastic Quad Flatpack Packages (MQFP/PQFP)



### Q44.10x10 (JEDEC MO-108AA-2 ISSUE A) 44 LEAD METRIC PLASTIC QUAD FLATPACK PACKAGE

| SYM-BOL | INCHES    |       | MILLIMETERS |       | NOTES |
|---------|-----------|-------|-------------|-------|-------|
|         | MIN       | MAX   | MIN         | MAX   |       |
| A       | -         | 0.093 | -           | 2.35  | -     |
| A1      | 0.004     | 0.010 | 0.10        | 0.25  | -     |
| A2      | 0.077     | 0.083 | 1.95        | 2.10  | -     |
| B       | 0.012     | 0.018 | 0.30        | 0.45  | 6     |
| B1      | 0.012     | 0.016 | 0.30        | 0.40  | -     |
| D       | 0.510     | 0.530 | 12.95       | 13.45 | 3     |
| D1      | 0.390     | 0.398 | 9.90        | 10.10 | 4, 5  |
| E       | 0.510     | 0.530 | 12.95       | 13.45 | 3     |
| E1      | 0.390     | 0.398 | 9.90        | 10.10 | 4, 5  |
| L       | 0.026     | 0.037 | 0.65        | 0.95  | -     |
| N       | 44        |       | 44          |       | 7     |
| e       | 0.032 BSC |       | 0.80 BSC    |       | -     |

Rev. 1 1/94

#### NOTES:

1. Controlling dimension: MILLIMETER. Converted inch dimensions are not necessarily exact.
2. All dimensions and tolerances per ANSI Y14.5M-1982.
3. Dimensions D and E to be determined at seating plane **-C-**.
4. Dimensions D1 and E1 to be determined at datum plane **-H-**.
5. Dimensions D1 and E1 do not include mold protrusion. Allowable protrusion is 0.25mm (0.010 inch) per side.
6. Dimension B does not include dambar protrusion. Allowable dambar protrusion shall be 0.08mm (0.003 inch) total.
7. "N" is the number of terminal positions.

All Intersil semiconductor products are manufactured, assembled and tested under **ISO9000** quality systems certification.

Intersil products are sold by description only. Intersil Corporation reserves the right to make changes in circuit design and/or specifications at any time without notice. Accordingly, the reader is cautioned to verify that data sheets are current before placing orders. Information furnished by Intersil is believed to be accurate and reliable. However, no responsibility is assumed by Intersil or its subsidiaries for its use; nor for any infringements of patents or other rights of third parties which may result from its use. No license is granted by implication or otherwise under any patent or patent rights of Intersil or its subsidiaries.

For information regarding Intersil Corporation and its products, see web site <http://www.intersil.com>