

# World's First Wide-Range 6-Axis MEMS MotionTracking™ Device for Sports and High Impact Applications

## GENERAL DESCRIPTION

Many of today's wearable and sports solutions, which analyze the motion of a user's golf or tennis swings, soccer ball kicks, or basketball activities, require higher than currently available  $\pm 2000$  dps (degrees per second) FSR for gyroscope and  $\pm 16g$  FSR for accelerometer to better insure that critical data is not lost at the point of high impact or high speed rotation. The ICM-20649 6-axis inertial sensor offers the smallest size, lowest profile and lowest power in conjunction with industry leading high FSR.

With an extended FSR range of  $\pm 4000$  dps for gyroscope and  $\pm 30g$  for accelerometer, the ICM-20649 enables precise analysis of contact sports applications providing continuous motion sensor data before, during and after impact providing more accurate feedback

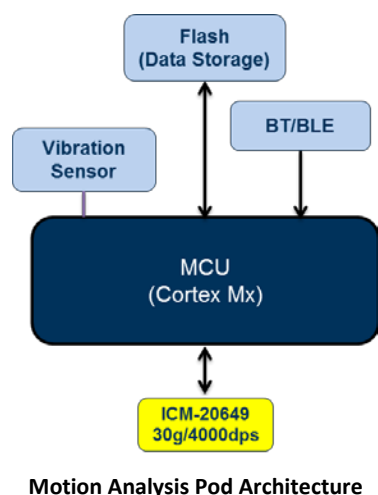
The ICM-20649 is the world's first wide-range 6-axis MotionTracking device for Sports and other High Impact applications. It is available in a 3x3x0.9 mm 24-pin QFN package.

## ORDERING INFORMATION

PART	TEMP RANGE	PACKAGE
ICM-20649†	-40°C to +85°C	24-Pin QFN

†Denotes RoHS and Green-Compliant Package

## BLOCK DIAGRAM



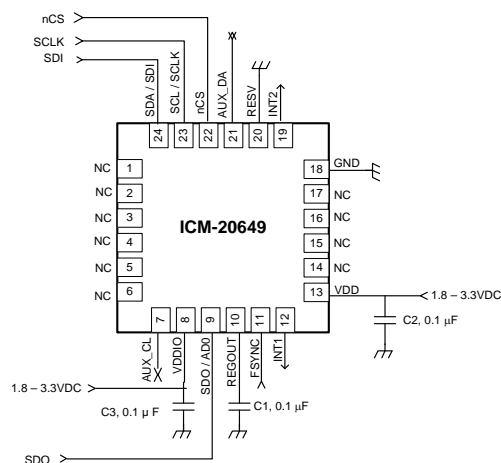
## APPLICATIONS

- Sports
- Wearable Sensors
- High Impact Applications

## FEATURES

- 3-Axis gyroscope with programmable FSR of  $\pm 500$  dps,  $\pm 100$  dps,  $\pm 2000$  dps, and  $\pm 4000$  dps
- 3-Axis accelerometer with programmable FSR of  $\pm 4g$ ,  $\pm 8g$ ,  $\pm 16g$ , and  $\pm 30g$
- User-programmable interrupts
- Wake-on-motion interrupt for low power operation of applications processor
- 512-byte FIFO buffer enables the applications processor to read the data in bursts
- On-Chip 16-bit ADCs and Programmable Filters
- DMP Enabled:
  - SMD, Step Count, Step Detect, Activity Classifier, RV, GRV
  - Calibration of accel/gyro/compass
- Host interface: 7 MHz SPI or 400 kHz I<sup>2</sup>C
- Digital-output temperature sensor
- VDD operating range of 1.71V to 3.6V
- MEMS structure hermetically sealed and bonded at wafer level
- RoHS and Green compliant

## TYPICAL OPERATING CIRCUIT



**TABLE OF CONTENTS**

GENERAL DESCRIPTION..... 1

ORDERING INFORMATION..... 1

APPLICATIONS..... 1

FEATURES..... 1

TYPICAL OPERATING CIRCUIT ..... 1

1 Introduction ..... 10

    1.1 Purpose and Scope..... 10

    1.2 Product Overview..... 10

2 Features ..... 11

    2.1 Gyroscope Features ..... 11

    2.2 Accelerometer Features..... 11

    2.3 DMP Features..... 11

    2.4 Additional Features ..... 11

3 Electrical Characteristics ..... 12

    3.1 Gyroscope Specifications ..... 12

    3.2 Accelerometer Specifications..... 13

    3.3 Electrical Specifications..... 14

        3.3.1 D.C. Electrical Characteristics..... 14

        3.3.2 A.C. Electrical Characteristics ..... 15

        3.3.3 Other Electrical Specifications ..... 16

    3.4 I<sup>2</sup>C Timing Characterization..... 17

    3.5 SPI Timing Characterization ..... 18

    3.6 Absolute Maximum Ratings ..... 19

4 Applications Information ..... 20

    4.1 Pin Out Diagram and Signal Description ..... 20

    4.2 Typical Operating Circuit..... 21

    4.3 Bill of Materials for External Components ..... 21

    4.4 Block Diagram ..... 22

    4.5 Overview ..... 22

    4.6 Three-Axis MEMS Gyroscope with 16-bit ADCs and Signal Conditioning ..... 23

    4.7 Three-Axis MEMS Accelerometer with 16-bit ADCs and Signal Conditioning..... 23

    4.8 Digital Motion Processor..... 23

    4.9 Primary I<sup>2</sup>C and SPI Serial Communications Interfaces ..... 23

        4.9.1 ICM-20649 Solution Using I<sup>2</sup>C Interface..... 23

        4.9.2 ICM-20649 Solution Using SPI Interface ..... 25

    4.10 Auxiliary I<sup>2</sup>C Serial Interface..... 26

    4.11 Auxiliary I<sup>2</sup>C Bus Modes of Operation:..... 26

    4.12 Self-Test ..... 26

4.13	Clocking.....	26
4.14	Sensor Data Registers .....	27
4.15	FIFO.....	27
4.16	FSYNC.....	27
4.17	Interrupts.....	27
4.18	Digital-Output Temperature Sensor .....	27
4.19	Bias and LDOs .....	27
4.20	Charge Pump .....	27
4.21	Power Modes.....	28
5	Programmable Interrupts .....	29
6	Digital Interface .....	30
6.1	I <sup>2</sup> C and SPI Serial Interfaces .....	30
6.2	I <sup>2</sup> C Interface.....	30
6.3	I <sup>2</sup> C Communications Protocol .....	31
6.4	I <sup>2</sup> C Terms .....	33
6.5	SPI Interface .....	33
7	Register Map.....	35
7.1	User Bank 0 Register Map:.....	35
7.2	User Bank 1 Register Map:.....	36
7.3	User Bank 2 Register Map:.....	36
7.4	User Bank 3 Register Map:.....	37
8	Register Descriptions .....	38
8.1	USR Bank 0 Register Map.....	38
8.1.1	WHO_AM_I .....	38
8.1.2	USER_CTRL .....	38
8.1.3	LP_CONFIG .....	39
8.1.4	PWR_MGMT_1.....	39
8.1.5	PWR_MGMT_2.....	40
8.1.6	INT_PIN_CFG .....	40
8.1.7	INT_ENABLE .....	41
8.1.8	INT_ENABLE_1 .....	41
8.1.9	INT_ENABLE_2 .....	41
8.1.10	INT_ENABLE_3 .....	42
8.1.11	I2C_MST_STATUS .....	42
8.1.12	INT_STATUS .....	42
8.1.13	12.1.13 INT_STATUS_1 .....	43
8.1.14	INT_STATUS_2 .....	43
8.1.15	INT_STATUS_3 .....	43
8.1.16	DELAY_TIMEH .....	43
8.1.17	DELAY_TIMEL.....	44

8.1.18	ACCEL_XOUT_H .....	44
8.1.19	ACCEL_XOUT_L .....	44
8.1.20	ACCEL_YOUT_H .....	44
8.1.21	ACCEL_YOUT_L .....	45
8.1.22	ACCEL_ZOUT_H.....	45
8.1.23	ACCEL_ZOUT_L .....	45
8.1.24	GYRO_XOUT_H .....	45
8.1.25	GYRO_XOUT_L.....	46
8.1.26	GYRO_YOUT_H .....	46
8.1.27	GYRO_YOUT_L .....	46
8.1.28	GYRO_ZOUT_H .....	46
8.1.29	GYRO_ZOUT_L .....	47
8.1.30	TEMP_OUT_H .....	47
8.1.31	TEMP_OUT_L.....	47
8.1.32	EXT_SLV_SENS_DATA_00 .....	47
8.1.33	EXT_SLV_SENS_DATA_01 .....	48
8.1.34	EXT_SLV_SENS_DATA_02 .....	48
8.1.35	EXT_SLV_SENS_DATA_03 .....	48
8.1.36	EXT_SLV_SENS_DATA_04 .....	48
8.1.37	EXT_SLV_SENS_DATA_05 .....	49
8.1.38	EXT_SLV_SENS_DATA_06 .....	49
8.1.39	EXT_SLV_SENS_DATA_07 .....	49
8.1.40	EXT_SLV_SENS_DATA_08 .....	49
8.1.41	EXT_SLV_SENS_DATA_09 .....	50
8.1.42	EXT_SLV_SENS_DATA_10 .....	50
8.1.43	EXT_SLV_SENS_DATA_11 .....	50
8.1.44	EXT_SLV_SENS_DATA_12 .....	50
8.1.45	EXT_SLV_SENS_DATA_13 .....	51
8.1.46	EXT_SLV_SENS_DATA_14 .....	51
8.1.47	EXT_SLV_SENS_DATA_15 .....	51
8.1.48	EXT_SLV_SENS_DATA_16 .....	51
8.1.49	EXT_SLV_SENS_DATA_17 .....	52
8.1.50	EXT_SLV_SENS_DATA_18 .....	52
8.1.51	EXT_SLV_SENS_DATA_19 .....	52
8.1.52	EXT_SLV_SENS_DATA_20 .....	52
8.1.53	EXT_SLV_SENS_DATA_21 .....	53
8.1.54	EXT_SLV_SENS_DATA_22 .....	53
8.1.55	EXT_SLV_SENS_DATA_23 .....	53
8.1.56	FIFO_EN_1 .....	54
8.1.57	FIFO_EN_2 .....	54

8.1.58	FIFO_RST .....	55
8.1.59	FIFO_MODE .....	55
8.1.60	FIFO_COUNTH.....	55
8.1.61	FIFO_COUNTL .....	55
8.1.62	FIFO_R_W .....	56
8.1.63	DATA_RDY_STATUS .....	56
8.1.64	FIFO_CFG .....	56
8.1.65	REG_BANK_SEL .....	56
8.2	USR Bank 1 Register Map .....	57
8.2.1	SELF_TEST_X_GYRO .....	57
8.2.2	SELF_TEST_Y_GYRO .....	57
8.2.3	SELF_TEST_Z_GYRO.....	57
8.2.4	SELF_TEST_X_ACCEL .....	57
8.2.5	SELF_TEST_Y_ACCEL.....	58
8.2.6	SELF_TEST_Z_ACCEL.....	58
8.2.7	XA_OFFS_H.....	58
8.2.8	XA_OFFS_L .....	58
8.2.9	YA_OFFS_H.....	58
8.2.10	YA_OFFS_L .....	59
8.2.11	ZA_OFFS_H .....	59
8.2.12	ZA_OFFS_L .....	59
8.2.13	TIMEBASE_CORRECTION_PLL.....	59
8.2.14	REG_BANK_SEL .....	60
8.3	USR Bank 2 Register Map .....	61
8.3.1	GYRO_SMPLRT_DIV.....	61
8.3.2	GYRO_CONFIG_1.....	61
8.3.3	GYRO_CONFIG_2.....	62
8.3.4	XG_OFFS_USRH.....	63
8.3.5	XG_OFFS_USRL.....	64
8.3.6	YG_OFFS_USRH.....	64
8.3.7	YG_OFFS_USRL.....	64
8.3.8	ZG_OFFS_USRH .....	64
8.3.9	ZG_OFFS_USRL.....	64
8.3.10	ODR_ALIGN_EN .....	65
8.3.11	ACCEL_SMPLRT_DIV_1 .....	65
8.3.12	ACCEL_SMPLRT_DIV_2 .....	65
8.3.13	ACCEL_INTEL_CTRL.....	65
8.3.14	ACCEL_WOM_THR.....	66
8.3.15	ACCEL_CONFIG .....	66
8.3.16	ACCEL_CONFIG_2 .....	67

8.3.17	FSYNC_CONFIG .....	69
8.3.18	TEMP_CONFIG .....	69
8.3.19	MOD_CTRL_USR .....	70
8.3.20	REG_BANK_SEL .....	70
8.4	USR Bank 3 Register Map .....	71
8.4.1	I2C_MST_ODR_CONFIG .....	71
8.4.2	I2C_MST_CTRL .....	71
8.4.3	I2C_MST_DELAY_CTRL .....	71
8.4.4	I2C_SLV0_ADDR .....	72
8.4.5	I2C_SLV0_REG .....	72
8.4.6	I2C_SLV0_CTRL .....	72
8.4.7	I2C_SLV0_DO .....	73
8.4.8	I2C_SLV1_ADDR .....	73
8.4.9	I2C_SLV1_REG .....	73
8.4.10	I2C_SLV1_CTRL .....	74
8.4.11	SLV1_DO .....	74
8.4.12	I2C_SLV2_ADDR .....	75
8.4.13	I2C_SLV2_REG .....	75
8.4.14	I2C_SLV2_CTRL .....	75
8.4.15	I2C_SLV2_DO .....	76
8.4.16	I2C_SLV3_ADDR .....	76
8.4.17	I2C_SLV3_REG .....	76
8.4.18	I2C_SLV3_CTRL .....	77
8.4.19	I2C_SLV3_DO .....	77
8.4.20	I2C_SLV4_ADDR .....	78
8.4.21	I2C_SLV4_REG .....	78
8.4.22	I2C_SLV4_CTRL .....	78
8.4.23	I2C_SLV4_DO .....	78
8.4.24	I2C_SLV4_DI .....	79
8.4.25	REG_BANK_SEL .....	79
9	Use Notes .....	80
9.1	Gyroscope Mode Transition .....	80
9.2	Power Management 1 Register Setting .....	80
9.3	DMP Memory Access .....	80
9.4	Time Base Correction .....	80
9.5	I <sup>2</sup> C Master Clock Frequency .....	81
9.6	Clocking .....	81
9.7	LP_EN Bit-Field Usage .....	82
9.8	Register Access Using SPI Interface .....	82
10	Orientation of Axes .....	83

11	Package Dimensions .....	84
12	Part Number Part Markings .....	86
13	References .....	87
14	Revision History .....	88

**LIST OF FIGURES**

Figure 1. I<sup>2</sup>C Bus Timing Diagram ..... 17

Figure 2. SPI Bus Timing Diagram..... 18

Figure 3. Pin out Diagram for ICM-20649 3.0x3.0x0.9 mm QFN..... 20

Figure 4. ICM-20649 Application Schematic (a) I<sup>2</sup>C operation (b) SPI operation ..... 21

Figure 5. ICM-20649 Block Diagram..... 22

Figure 6. ICM-20649 Solution Using I<sup>2</sup>C Interface..... 24

Figure 7. ICM-20649 Solution Using SPI Interface ..... 25

Figure 8. START and STOP Conditions..... 31

Figure 9. Acknowledge on the I<sup>2</sup>C Bus ..... 31

Figure 10. Complete I<sup>2</sup>C Data Transfer..... 32

Figure 11. Typical SPI Master / Slave Configuration ..... 34

Figure 12. Orientation of Axes of Sensitivity and Polarity of Rotation ..... 83

Figure 13. Package Dimensions..... 84

Figure 14. Part Number Package Markings..... 86



**LIST OF TABLES**

Table 1. Gyroscope Specifications ..... 12

Table 2. Accelerometer Specifications ..... 13

Table 3. D.C. Electrical Characteristics ..... 14

Table 4. A.C. Electrical Characteristics ..... 16

Table 5. Other Electrical Specifications ..... 16

Table 6. I<sup>2</sup>C Timing Characteristics ..... 17

Table 7. SPI Timing Characteristics (7 MHz) ..... 18

Table 8. Absolute Maximum Ratings ..... 19

Table 9. Signal Descriptions ..... 20

Table 10. Bill of Materials ..... 21

Table 11. Power Modes for ICM-20649 ..... 28

Table 12. Table of Interrupt Sources ..... 29

Table 13. Serial Interface ..... 30

Table 14. I<sup>2</sup>C Terms ..... 33

Table 15. Configuration ..... 62

Table 16. Gyroscope Filter Bandwidths (Low-Power Mode) ..... 63

Table 17. Accelerometer Configuration ..... 67

Table 18. Accelerometer Configuration 2 ..... 68

Table 19. I<sup>2</sup>C Master Clock Frequency ..... 81

Table 20. Package Dimensions ..... 85

Table 21. Part Number Package Markings ..... 86

## 1 INTRODUCTION

### 1.1 PURPOSE AND SCOPE

This document is a preliminary product specification, providing a description, specifications, and design related information on the ICM-20649 MotionTracking device.

Final specifications are available via our sales contacts. For references to register map and descriptions of individual registers, please refer to the ICM-20649 Register Map and Register Descriptions sections.

### 1.2 PRODUCT OVERVIEW

The ICM-20649 is a MotionTracking device that combines a 3-axis gyroscope, 3-axis accelerometer, and a Digital Motion Processor™ (DMP) all in a small 3.0x3.0x0.9mm QFN package. The device supports the following features:

- Android Lollipop support
- FIFO of size 512 bytes (FIFO size will vary depending on DMP feature-set)
- Runtime Calibration
- Enhanced FSYNC functionality to improve timing for applications like EIS

ICM-20649 devices, with their 6-axis integration, on-chip DMP, and run-time calibration firmware, enable manufacturers to eliminate the costly and complex selection, qualification, and system level integration of discrete devices, guaranteeing optimal motion performance for consumers.

The gyroscope has a programmable full-scale range up to  $\pm 4000$  dps. The accelerometer has a user-programmable accelerometer full-scale range up to  $\pm 30g$ . Factory-calibrated initial sensitivity of both sensors reduces production-line calibration requirements.

Other key features include on-chip 16-bit ADCs, programmable digital filters, an embedded temperature sensor, and programmable interrupts. The device features I<sup>2</sup>C and SPI serial interfaces, a VDD operating range of 1.71V to 3.6V, and a separate digital IO supply, VDDIO from 1.71V to 3.6V.

Communication with all registers of the device is performed using I<sup>2</sup>C at up to 100 kHz (standard-mode) or up to 400 kHz (fast-mode), or SPI at up to 7 MHz.

By leveraging its patented and volume-proven CMOS-MEMS fabrication platform, which integrates MEMS wafers with companion CMOS electronics through wafer-level bonding, InvenSense has driven the package size down to a footprint and thickness of 3.0x3.0x0.9 mm (24-pin QFN), to provide a very small yet high-performance, low-cost package. The device provides high robustness by supporting 10,000g shock reliability.

## 2 FEATURES

### 2.1 GYROSCOPE FEATURES

The triple-axis MEMS gyroscope in the ICM-20649 includes the following features:

- Digital-output X-, Y-, and Z-axis angular rate sensors (gyroscopes) with a user-programmable full-scale range of  $\pm 500$  dps,  $\pm 1000$  dps,  $\pm 2000$  dps, and  $\pm 4000$  dps and integrated 16-bit ADCs
- Digitally-programmable low-pass filter
- Factory calibrated sensitivity scale factor
- Self-test

### 2.2 ACCELEROMETER FEATURES

The triple-axis MEMS accelerometer in ICM-20649 includes the following features:

- Digital-output X-, Y-, and Z-axis accelerometer with a programmable full scale range of  $\pm 4g$ ,  $\pm 8g$ ,  $\pm 16g$ , and  $\pm 30g$  and integrated 16-bit ADCs
- User-programmable interrupts
- Wake-on-motion interrupt for low power operation of applications processor
- Self-test

### 2.3 DMP FEATURES

The DMP in ICM-20649 includes the following capabilities:

- Offloads computation of motion processing algorithms from the host processor. The DMP can be used to minimize power, simplify timing, simplify the software architecture, and save valuable MIPS on the host processor for use in applications.
- Optimized for Android Lollipop for low power features (AP suspended) including SMD, Step Count, Step Detect, Activity Classification, Rotation Vector, and Gaming Rotation Vector
- Optimized for Android Lollipop batching, both while the AP is active and suspended. The DMP will also batch data from externally connected sensors such as a compass, or pressure sensor.
- The DMP enables ultra-low power run-time and background calibration of the accelerometer, gyroscope, and compass, maintaining optimal performance of the sensor data for both physical and virtual sensors generated through sensor fusion. This enables the best user experience for all sensor enabled applications for the lifetime of the device.
- DMP features simplify the software architecture resulting in quicker time to market.
- DMP features are OS, Platform, and Architecture independent, supporting virtually any AP, MCU, or other embedded architecture.

### 2.4 ADDITIONAL FEATURES

The ICM-20649 includes the following additional features:

- I<sup>2</sup>C at up to 100 kHz (standard-mode) or up to 400 kHz (fast-mode) or SPI at up to 7 MHz for communication with registers
- Auxiliary master I<sup>2</sup>C bus for reading data from external sensors (e.g. magnetometer)
- Digital-output temperature sensor
- 10,000g shock tolerant
- MEMS structure hermetically sealed and bonded at wafer level
- RoHS and Green compliant

### 3 ELECTRICAL CHARACTERISTICS

#### 3.1 GYROSCOPE SPECIFICATIONS

Typical Operating Circuit of section 4.2, VDD = 1.8 V, VDDIO = 1.8 V, T<sub>A</sub> = 25°C, unless otherwise noted.

**Note:** All specifications apply to Standard (Duty-Cycled) Mode and Low-Noise Mode, unless noted otherwise.

PARAMETER	CONDITIONS	MIN	TYP	MAX	UNITS	NOTES
<b>GYROSCOPE SENSITIVITY</b>						
Full-Scale Range	GYRO_FS_SEL = 0		±500		dps	1
	GYRO_FS_SEL = 1		±1000		dps	1
	GYRO_FS_SEL = 2		±2000		dps	1
	GYRO_FS_SEL = 3		±4000		dps	1
Gyroscope ADC Word Length			16		bits	1
Sensitivity Scale Factor	GYRO_FS_SEL = 0		65.5		LSB/(dps)	1
	GYRO_FS_SEL = 1		32.8		LSB/(dps)	1
	GYRO_FS_SEL = 2		16.4		LSB/(dps)	1
	GYRO_FS_SEL = 3		8.2		LSB/(dps)	1
Sensitivity Scale Factor Tolerance	25°C		±0.5		%	3
Sensitivity Scale Factor Variation Over Temperature	-40°C to +85°C		±2		%	2
Nonlinearity	Best fit straight line; 25°C		±0.1		%	2, 4
Cross-Axis Sensitivity			±2		%	2, 4
<b>ZERO-RATE OUTPUT (ZRO)</b>						
Initial ZRO Tolerance	25°C (Component-level)		±5		dps	3
ZRO Variation Over Temperature	-40°C to +85°C		±0.05		dps/°C	2
<b>GYROSCOPE NOISE PERFORMANCE (GYRO_FS_SEL=0)</b>						
Noise Spectral Density	Based on Noise Bandwidth = 10 Hz		0.0175		dps/√Hz	3
<b>GYROSCOPE MECHANICAL FREQUENCIES</b>		25	27	29	kHz	3
<b>LOW PASS FILTER RESPONSE</b>	Programmable Range	5.7		197	Hz	1, 4
<b>GYROSCOPE START-UP TIME</b>			35		ms	2, 4
<b>OUTPUT DATA RATE</b>	Standard (duty-cycled) Mode	4.4		562.5	Hz	1
	Low-Noise Mode GYRO_FCHOICE = 1; GYRO_DLPFCFG = x	4.4		1.125k	Hz	
	Low-Noise Mode GYRO_FCHOICE = 0; GYRO_DLPFCFG = x			9k	Hz	

**Table 1. Gyroscope Specifications**

**Notes:**

1. Guaranteed by design.
2. Derived from validation or characterization of parts, not guaranteed in production.
3. Tested in production.
4. Low-noise mode specification.

### 3.2 ACCELEROMETER SPECIFICATIONS

Typical Operating Circuit of section 4.2, VDD = 1.8 V, VDDIO = 1.8 V, T<sub>A</sub> = 25°C, unless otherwise noted.

**Note:** All specifications apply to Standard (Duty-Cycled) Mode and Low-Noise Mode, unless noted otherwise.

PARAMETER	CONDITIONS	MIN	TYP	MAX	UNITS	NOTES
<b>ACCELEROMETER SENSITIVITY</b>						
Full-Scale Range	ACCEL_FS = 0		±4		g	1
	ACCEL_FS = 1		±8		g	1
	ACCEL_FS = 2		±16		g	1
	ACCEL_FS = 3		±30		g	1
ADC Word Length	Output in two's complement format		16		bits	1
Sensitivity Scale Factor	ACCEL_FS = 0		8,192		LSB/g	1
	ACCEL_FS = 1		4,096		LSB/g	1
	ACCEL_FS = 2		2,048		LSB/g	1
	ACCEL_FS = 3		1,024		LSB/g	1
Initial Tolerance	Component-level		±0.5		%	3
Sensitivity Change vs. Temperature	-40°C to +85°C ACCEL_FS=0		±0.026		%/°C	2
Nonlinearity	Best Fit Straight Line		±0.5		%	2, 4
Cross-Axis Sensitivity			±2		%	2, 4
<b>ACCELEROMETER NOISE PERFORMANCE</b>						
Noise Spectral Density	Based on Noise Bandwidth = 10 Hz		285		µg/√Hz	3
<b>LOW PASS FILTER RESPONSE</b>	Programmable Range	5.7		246	Hz	1, 4
<b>INTELLIGENCE FUNCTION INCREMENT</b>			32		mg/LSB	1
<b>ACCELEROMETER STARTUP TIME</b>	From Sleep mode		20		ms	2, 4
	From Cold Start, 1ms V <sub>DD</sub> ramp		30		ms	2, 4
<b>OUTPUT DATA RATE</b>	Low-Power Mode	0.27		562.5	Hz	1
	Low-Noise Mode ACCEL_FCHOICE = 1; ACCEL_DLPFCFG = x	4.5		1.125k	Hz	
	Low-Noise Mode ACCEL_FCHOICE = 0; ACCEL_DLPFCFG = x			4.5k	Hz	

**Table 2. Accelerometer Specifications**

**Notes:**

1. Guaranteed by design.
2. Derived from validation or characterization of parts, not guaranteed in production.
3. Tested in production.
4. Low-noise mode specification.

### 3.3 ELECTRICAL SPECIFICATIONS

#### 3.3.1 D.C. Electrical Characteristics

Typical Operating Circuit of section 4.2, VDD = 1.8 V, VDDIO = 1.8 V, T<sub>A</sub> = 25°C, unless otherwise noted.

PARAMETER	CONDITIONS	MIN	TYP	MAX	UNITS	NOTES
<b>SUPPLY VOLTAGES</b>						
VDD		1.71	1.8	3.6	V	1
VDDIO		1.71	1.8	3.6	V	1
<b>SUPPLY CURRENTS</b>						
Gyroscope Only (DMP & Accelerometer disabled)	Low-Noise Mode		2.67		mA	2
Accelerometer Only (DMP & Gyroscope disabled)	Low-Noise Mode		760		μA	2
Gyroscope + Accelerometer (DMP disabled)	Low-Noise Mode		3.21		mA	2
Gyroscope Only (DMP & Accelerometer disabled)	Low-Power Mode, 102.3 Hz update rate, 1x averaging filter		1.23		mA	2, 3
Accelerometer Only (DMP & Gyroscope disabled)	Low-Power Mode, 102.3 Hz update rate, 1x averaging filter		68.9		μA	2, 3
Gyroscope + Accelerometer (DMP disabled)	Low-Power Mode, 102.3 Hz update rate, 1x averaging filter		1.27		mA	2, 3
Full-Chip Sleep Mode			8		μA	2
<b>TEMPERATURE RANGE</b>						
Specified Temperature Range	Performance parameters are not applicable beyond Specified Temperature Range	-40		+85	°C	1

**Table 3. D.C. Electrical Characteristics**

**Notes:**

1. Guaranteed by design.
2. Derived from validation or characterization of parts, not guaranteed in production.
3. The 102.3 Hz ODR value shown here is an example; please see the section below for the full list of ODRs supported and corresponding current values.

**3.3.2 A.C. Electrical Characteristics**

Typical Operating Circuit of section 4.2, VDD = 1.8 V, VDDIO = 1.8 V, T<sub>A</sub> = 25°C, unless otherwise noted.

PARAMETER	CONDITIONS	MIN	TYP	MAX	UNITS	NOTES
<b>SUPPLIES</b>						
Supply Ramp Time (T <sub>RAMP</sub> )	Monotonic ramp. Ramp rate is 10% to 90% of the final value.	0.01	20	100	ms	1
<b>TEMPERATURE SENSOR</b>						
Operating Range	Ambient	-40		85	°C	1
Sensitivity	Untrimmed		333.87		LSB/°C	
Room Temp Offset	21°C		0		LSB	
<b>Power-On RESET</b>						
Supply Ramp Time (T <sub>RAMP</sub> )	Valid power-on RESET	0.01	20	100	ms	1
Start-up time for register read/write	From power-up		11	100	ms	1
<b>I<sup>2</sup>C ADDRESS</b>	AD0 = 0		1101000			
	AD0 = 1		1101001			
<b>DIGITAL INPUTS (FSYNC, ADO, SCLK, SDI, CS)</b>						
V <sub>IH</sub> , High Level Input Voltage		0.7*VDDIO			V	1
V <sub>IL</sub> , Low Level Input Voltage				0.3*VDDIO	V	
C <sub>I</sub> , Input Capacitance			< 10		pF	
<b>DIGITAL OUTPUT (SDO, INT)</b>						
V <sub>OH</sub> , High Level Output Voltage	R <sub>LOAD</sub> = 1 MΩ;	0.9*VDDIO			V	1
V <sub>OL</sub> , LOW-Level Output Voltage	R <sub>LOAD</sub> = 1 MΩ;			0.1*VDDIO	V	
V <sub>OL,INT1</sub> , INT Low-Level Output Voltage	OPEN = 1, 0.3 mA sink Current			0.1	V	
Output Leakage Current	OPEN = 1		100		nA	
t <sub>INT</sub> , INT Pulse Width	LATCH_INT_EN = 0		50		μs	
<b>I<sup>2</sup>C I/O (SCL, SDA)</b>						
V <sub>IL</sub> , LOW Level Input Voltage		-0.5 V		0.3*VDDIO	V	1
V <sub>IH</sub> , HIGH-Level Input Voltage		0.7*VDDIO		VDDIO + 0.5 V	V	
V <sub>hys</sub> , Hysteresis			0.1*VDDIO		V	
V <sub>OL</sub> , LOW-Level Output Voltage	3 mA sink current	0		0.4	V	
I <sub>OL</sub> , LOW-Level Output Current	V <sub>OL</sub> = 0.4 V		3		mA	
	V <sub>OL</sub> = 0.6 V		6		mA	
Output Leakage Current			100		nA	
t <sub>of</sub> , Output Fall Time from V <sub>IHmax</sub> to V <sub>ILmax</sub>	C <sub>b</sub> bus capacitance in pf	20+0.1 C <sub>b</sub>		250	ns	
<b>AUXILLIARY I/O (AUX_CL, AUX_DA)</b>						
V <sub>IL</sub> , LOW-Level Input Voltage		-0.5 V		0.3*VDDIO	V	1
V <sub>IH</sub> , HIGH-Level Input Voltage		0.7* VDDIO		VDDIO + 0.5 V	V	
V <sub>hys</sub> , Hysteresis			0.1* VDDIO		V	
V <sub>OL1</sub> , LOW-Level Output Voltage	VDDIO > 2 V; 1 mA sink current	0		0.4	V	
V <sub>OL3</sub> , LOW-Level Output Voltage	VDDIO < 2 V; 1 mA sink current	0		0.2* VDDIO	V	
I <sub>OL</sub> , LOW-Level Output Current	V <sub>OL</sub> = 0.4 V		3		mA	
	V <sub>OL</sub> = 0.6 V		6		mA	
Output Leakage Current			100		nA	
t <sub>of</sub> , Output Fall Time from V <sub>IHmax</sub> to V <sub>ILmax</sub>	C <sub>b</sub> bus capacitance in pF	20+0.1C <sub>b</sub>		250	ns	
<b>INTERNAL CLOCK SOURCE</b>						
Clock Frequency Initial Tolerance	Accelerometer Only Mode	-5		+5	%	1
	Gyroscope or 6-Axis Mode WITHOUT Timebase Correction	-9		+9	%	1
	Gyroscope or 6-Axis Mode WITH Timebase Correction	-1		+1		

PARAMETER	CONDITIONS	MIN	TYP	MAX	UNITS	NOTES
Frequency Variation over Temperature	Accelerometer Only Mode	-10		+10	%	1
	Gyroscope or 6-Axis Mode		±1		%	1

**Table 4. A.C. Electrical Characteristics**

**Notes:**

1. Derived from validation or characterization of parts, not guaranteed in production.

**3.3.3 Other Electrical Specifications**

Typical Operating Circuit of section 4.2, VDD = 1.8 V, VDDIO = 1.8 V, T<sub>A</sub> = 25°C, unless otherwise noted.

PARAMETER	CONDITIONS	MIN	TYP	MAX	Units	Notes
<b>SERIAL INTERFACE</b>						
SPI Operating Frequency, All Registers Read/Write	Low Speed Characterization		100 ±10%		kHz	
	High Speed Characterization		7 ±10%		MHz	
I <sup>2</sup> C Operating Frequency	All registers, Fast-mode			400	kHz	
	All registers, Standard-mode			100	kHz	

**Table 5. Other Electrical Specifications**



### 3.4 I<sup>2</sup>C TIMING CHARACTERIZATION

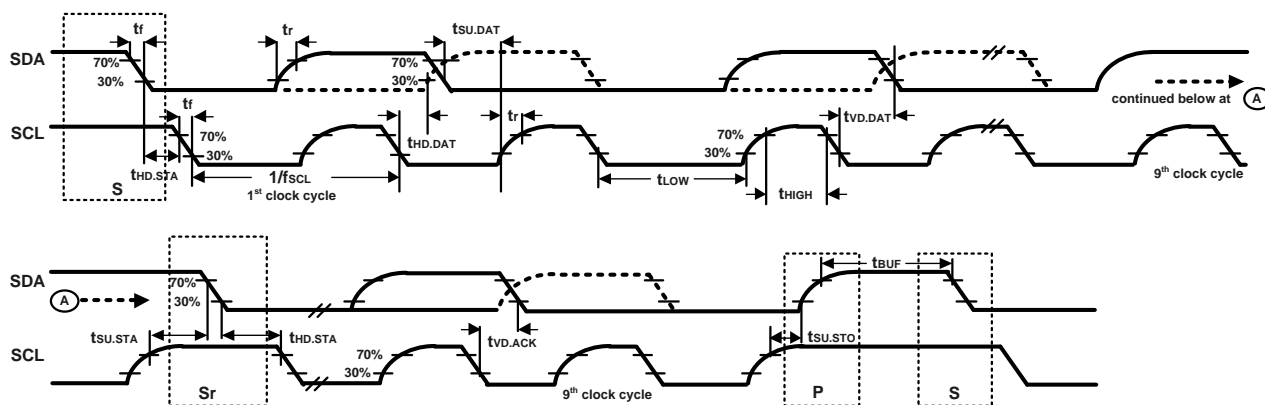
Typical Operating Circuit of section 4.2, VDD = 1.8 V, VDDIO = 1.8 V, T<sub>A</sub> = 25°C, unless otherwise noted.

PARAMETERS	CONDITIONS	MIN	TYPICAL	MAX	UNITS	NOTES
<b>I<sup>2</sup>C TIMING</b>						
<b>I<sup>2</sup>C FAST-MODE</b>						
f <sub>SCL</sub> , SCL Clock Frequency				400	kHz	1, 2
t <sub>HD,STA</sub> , (Repeated) START Condition Hold Time		0.6			μs	1, 2
t <sub>LOW</sub> , SCL Low Period		1.3			μs	1, 2
t <sub>HIGH</sub> , SCL High Period		0.6			μs	1, 2
t <sub>SU,STA</sub> , Repeated START Condition Setup Time		0.6			μs	1, 2
t <sub>HD,DAT</sub> , SDA Data Hold Time		0			μs	1, 2
t <sub>SU,DAT</sub> , SDA Data Setup Time		100			ns	1, 2
t <sub>r</sub> , SDA and SCL Rise Time	C <sub>b</sub> bus cap. from 10 to 400 pF	20+0.1C <sub>b</sub>		300	ns	1, 2
t <sub>f</sub> , SDA and SCL Fall Time	C <sub>b</sub> bus cap. from 10 to 400 pF	20+0.1C <sub>b</sub>		300	ns	1, 2
t <sub>SU,STO</sub> , STOP Condition Setup Time		0.6			μs	1, 2
t <sub>BUF</sub> , Bus Free Time Between STOP and START Condition		1.3			μs	1, 2
C <sub>b</sub> , Capacitive Load for each Bus Line			< 400		pF	1, 2
t <sub>VD,DAT</sub> , Data Valid Time				0.9	μs	1, 2
t <sub>VD,ACK</sub> , Data Valid Acknowledge Time				0.9	μs	1, 2

**Table 6. I<sup>2</sup>C Timing Characteristics**

**Notes:**

1. Timing Characteristics apply to both Primary and Auxiliary I<sup>2</sup>C Bus.
2. Based on characterization of 5 parts over temperature and voltage as mounted on evaluation board or in sockets.



**Figure 1. I<sup>2</sup>C Bus Timing Diagram**

### 3.5 SPI TIMING CHARACTERIZATION

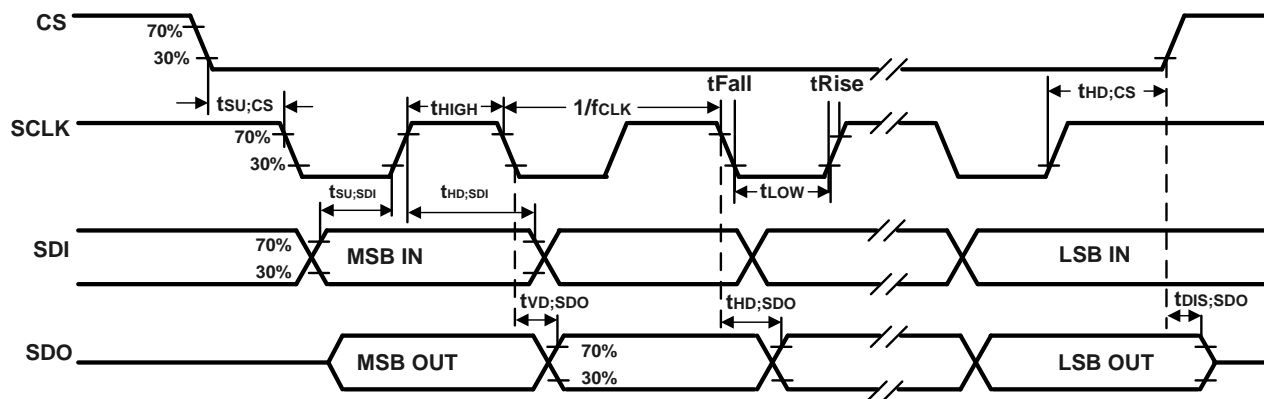
Typical Operating Circuit of section 4.2, VDD = 1.8 V, VDDIO = 1.8 V, T<sub>A</sub> = 25°C, unless otherwise noted.

Parameters	Conditions	Min	Typical	Max	Units	Notes
<b>SPI TIMING</b>						
f <sub>SCLK</sub> , SCLK Clock Frequency				7	MHz	
t <sub>LOW</sub> , SCLK Low Period		64			ns	
t <sub>HIGH</sub> , SCLK High Period		64			ns	
t <sub>SU,CS</sub> , CS Setup Time		8			ns	
t <sub>HD,CS</sub> , CS Hold Time		500			ns	
t <sub>SU,SDI</sub> , SDI Setup Time		5			ns	
t <sub>HD,SDI</sub> , SDI Hold Time		7			ns	
t <sub>VD,SDO</sub> , SDO Valid Time	C <sub>load</sub> = 20 pF			59	ns	
t <sub>HD,SDO</sub> , SDO Hold Time	C <sub>load</sub> = 20 pF	6			ns	
t <sub>DIS,SDO</sub> , SDO Output Disable Time				50	ns	

**Table 7. SPI Timing Characteristics (7 MHz)**

**Note:**

- Based on characterization of 5 parts over temperature and voltage as mounted on evaluation board or in sockets.



**Figure 2. SPI Bus Timing Diagram**

### 3.6 ABSOLUTE MAXIMUM RATINGS

Stress above those listed as “Absolute Maximum Ratings” may cause permanent damage to the device. These are stress ratings only and functional operation of the device at these conditions is not implied. Exposure to the absolute maximum ratings conditions for extended periods may affect device reliability.

Parameter	Rating
Supply Voltage, VDD	-0.5V to 4V
Supply Voltage, VDDIO	-0.5V to 4V
REGOUT	-0.5V to 2V
Input Voltage Level (AUX_DA, ADO, FSYNC, INT, SCL, SDA)	-0.5V to VDD + 0.5V
Acceleration (Any Axis, unpowered)	10,000g for 0.2 ms
Operating Temperature Range	-40°C to +105°C
Storage Temperature Range	-40°C to +125°C
Electrostatic Discharge (ESD) Protection	2 kV (HBM); 200V (MM)
Latch-up	JEDEC Class II (2), 125°C ±100 mA

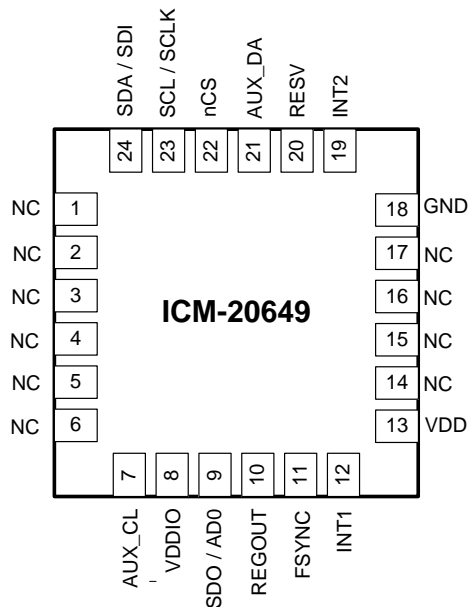
**Table 8. Absolute Maximum Ratings**

## 4 APPLICATIONS INFORMATION

### 4.1 PIN OUT DIAGRAM AND SIGNAL DESCRIPTION

PIN NUMBER	PIN NAME	PIN DESCRIPTION
7	AUX_CL	I <sup>2</sup> C Master serial clock, for connecting to external sensors.
8	VDDIO	Digital I/O supply voltage.
9	AD0 / SDO	I <sup>2</sup> C Slave Address LSB (AD0); SPI serial data output (SDO).
10	REGOUT	Regulator filter capacitor connection.
11	FSYNC	Frame synchronization digital input. Connect to GND if unused.
12	INT1	Interrupt 1.
13	VDD	Power supply voltage.
18	GND	Power supply ground.
19	INT2	Interrupt 2.
20	RESV	Reserved. Connect to GND.
21	AUX_DA	I <sup>2</sup> C master serial data, for connecting to external sensors.
22	nCS	Chip select (SPI mode only).
23	SCL / SCLK	I <sup>2</sup> C serial clock (SCL); SPI serial clock (SCLK).
24	SDA / SDI	I <sup>2</sup> C serial data (SDA); SPI serial data input (SDI).
1 – 6, 14 - 17	NC	No Connect pins. Do not connect.

**Table 9. Signal Descriptions**



**Figure 3. Pin out Diagram for ICM-20649 3.0x3.0x0.9 mm QFN**

## 4.2 TYPICAL OPERATING CIRCUIT

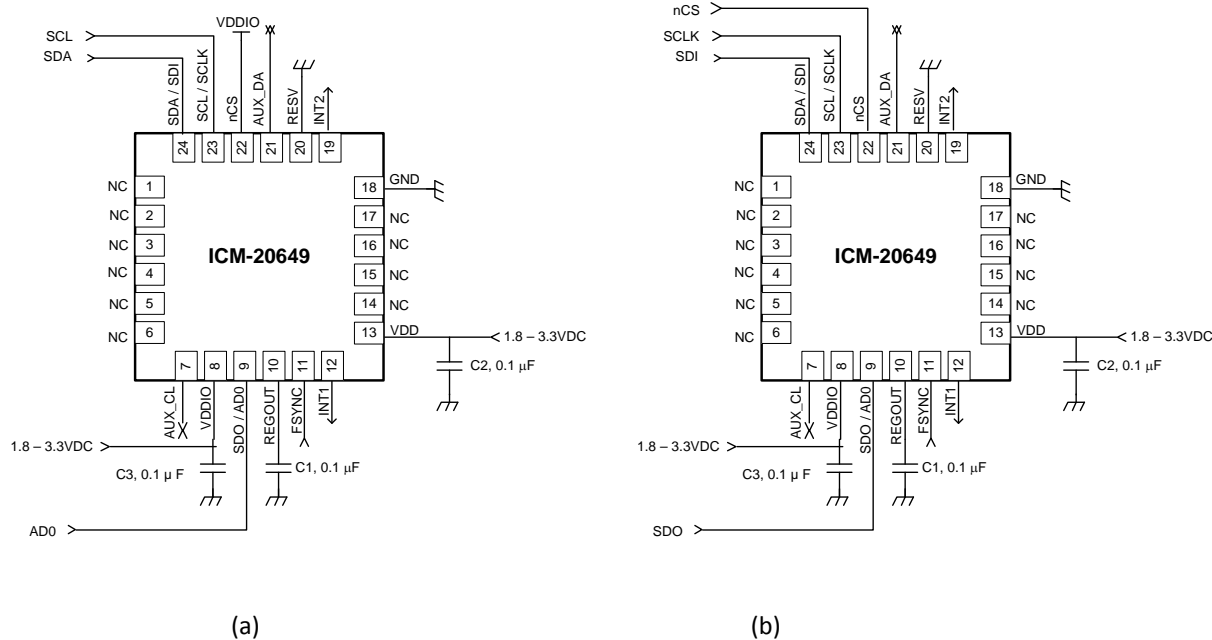


Figure 4. ICM-20649 Application Schematic (a) I<sup>2</sup>C operation (b) SPI operation

## 4.3 BILL OF MATERIALS FOR EXTERNAL COMPONENTS

Component	Label	Specification	Quantity
Regulator Filter Capacitor	C1	Ceramic, X7R, 0.1 μF ±10%	1
VDD Bypass Capacitor	C2	Ceramic, X7R, 0.1 μF ±10%	1
VDDIO Bypass Capacitor	C3	Ceramic, X7R, 0.1 μF ±10%	1

Table 10. Bill of Materials

#### 4.4 BLOCK DIAGRAM

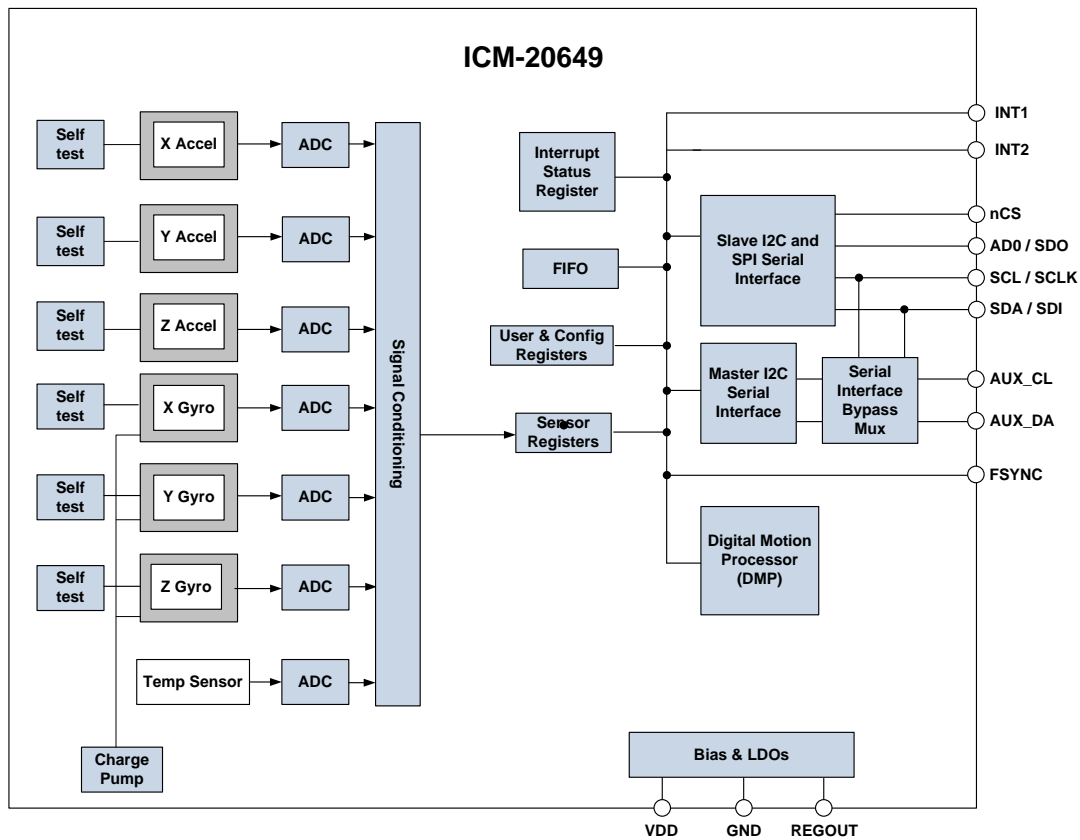


Figure 5. ICM-20649 Block Diagram

#### 4.5 OVERVIEW

The ICM-20649 is comprised of the following key blocks and functions:

- Three-axis MEMS rate gyroscope sensor with 16-bit ADCs and signal conditioning
- Three-axis MEMS accelerometer sensor with 16-bit ADCs and signal conditioning
- Digital Motion Processor (DMP) engine
- Primary I<sup>2</sup>C and SPI serial communications interfaces
- Auxiliary I<sup>2</sup>C serial interface
- Self-Test
- Clocking
- Sensor Data Registers
- FIFO
- FSYNC
- Interrupts
- Digital-Output Temperature Sensor
- Bias and LDOs
- Charge Pump
- Power Modes

#### 4.6 THREE-AXIS MEMS GYROSCOPE WITH 16-BIT ADCS AND SIGNAL CONDITIONING

The ICM-20649 consists of three independent vibratory MEMS rate gyroscopes, which detect rotation about the X-, Y-, and Z- Axes. When the gyros are rotated about any of the sense axes, the Coriolis Effect causes a vibration that is detected by a capacitive pickoff. The resulting signal is amplified, demodulated, and filtered to produce a voltage that is proportional to the angular rate. This voltage is digitized using individual on-chip 16-bit Analog-to-Digital Converters (ADCs) to sample each axis. The full-scale range of the gyro sensors may be digitally programmed to  $\pm 500$ ,  $\pm 1000$ ,  $\pm 2000$ , or  $\pm 4000$  degrees per second (dps).

#### 4.7 THREE-AXIS MEMS ACCELEROMETER WITH 16-BIT ADCS AND SIGNAL CONDITIONING

The ICM-20649's 3-Axis accelerometer uses separate proof masses for each axis. Acceleration along a particular axis induces displacement on the corresponding proof mass, and capacitive sensors detect the displacement differentially. The ICM-20649's architecture reduces the accelerometers' susceptibility to fabrication variations as well as to thermal drift. When the device is placed on a flat surface, it will measure  $0g$  on the X- and Y-axes and  $+1g$  on the Z-axis. The accelerometers' scale factor is calibrated at the factory and is nominally independent of supply voltage. Each sensor has a dedicated sigma-delta ADC for providing digital outputs. The full scale range of the digital output can be adjusted to  $\pm 4g$ ,  $\pm 8g$ ,  $\pm 16g$ , or  $\pm 30g$ .

#### 4.8 DIGITAL MOTION PROCESSOR

The embedded Digital Motion Processor (DMP) within the ICM-20649 offloads computation of motion processing algorithms from the host processor. The DMP acquires data from accelerometers, gyroscopes, and additional third party sensors such as magnetometers, and processes the data. The resulting data can be read from the FIFO. The DMP has access to the external pins, which can be used for generating interrupts.

The purpose of the DMP is to offload both timing requirements and processing power from the host processor. Typically, motion processing algorithms should be run at a high rate, often around 200 Hz, in order to provide accurate results with low latency. This is required even if the application updates at a much lower rate; for example, a low power user interface may update as slowly as 5 Hz, but the motion processing should still run at 200 Hz. The DMP can be used to minimize power, simplify timing, simplify the software architecture, and save valuable MIPS on the host processor for use in applications.

The DMP is optimized for Android Lollipop support.

#### 4.9 PRIMARY I<sup>2</sup>C AND SPI SERIAL COMMUNICATIONS INTERFACES

The ICM-20649 communicates to a system processor using either a SPI or an I<sup>2</sup>C serial interface. The ICM-20649 always acts as a slave when communicating to the system processor. The LSB of the of the I<sup>2</sup>C slave address is set by pin 1 (AD0).

##### 4.9.1 ICM-20649 Solution Using I<sup>2</sup>C Interface

In Figure 6, the system processor is an I<sup>2</sup>C master to the ICM-20649. In addition, the ICM-20649 is an I<sup>2</sup>C master to the optional external compass sensor. The ICM-20649 has limited capabilities as an I<sup>2</sup>C Master, and depends on the system processor to manage the initial configuration of any auxiliary sensors. The ICM-20649 has an interface bypass multiplexer, which connects the system processor I<sup>2</sup>C bus pins 23 and 24 (SCL and SDA) directly to the auxiliary sensor I<sup>2</sup>C bus pins 7 and 21 (AUX\_CL and AUX\_DA).

Once the auxiliary sensors have been configured by the system processor, the interface bypass multiplexer should be disabled so that the ICM-20649 auxiliary I<sup>2</sup>C master can take control of the sensor I<sup>2</sup>C bus and gather data from the auxiliary sensors.

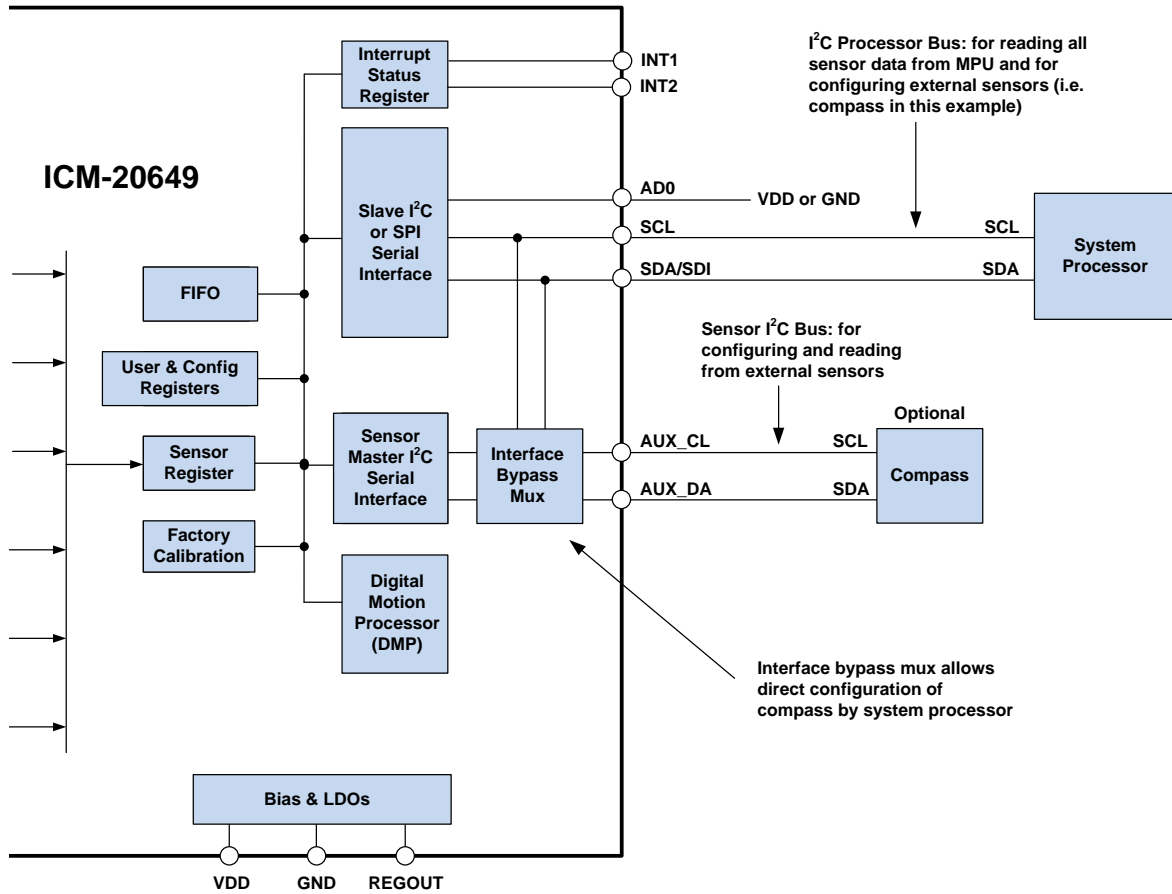


Figure 6. ICM-20649 Solution Using I<sup>2</sup>C Interface

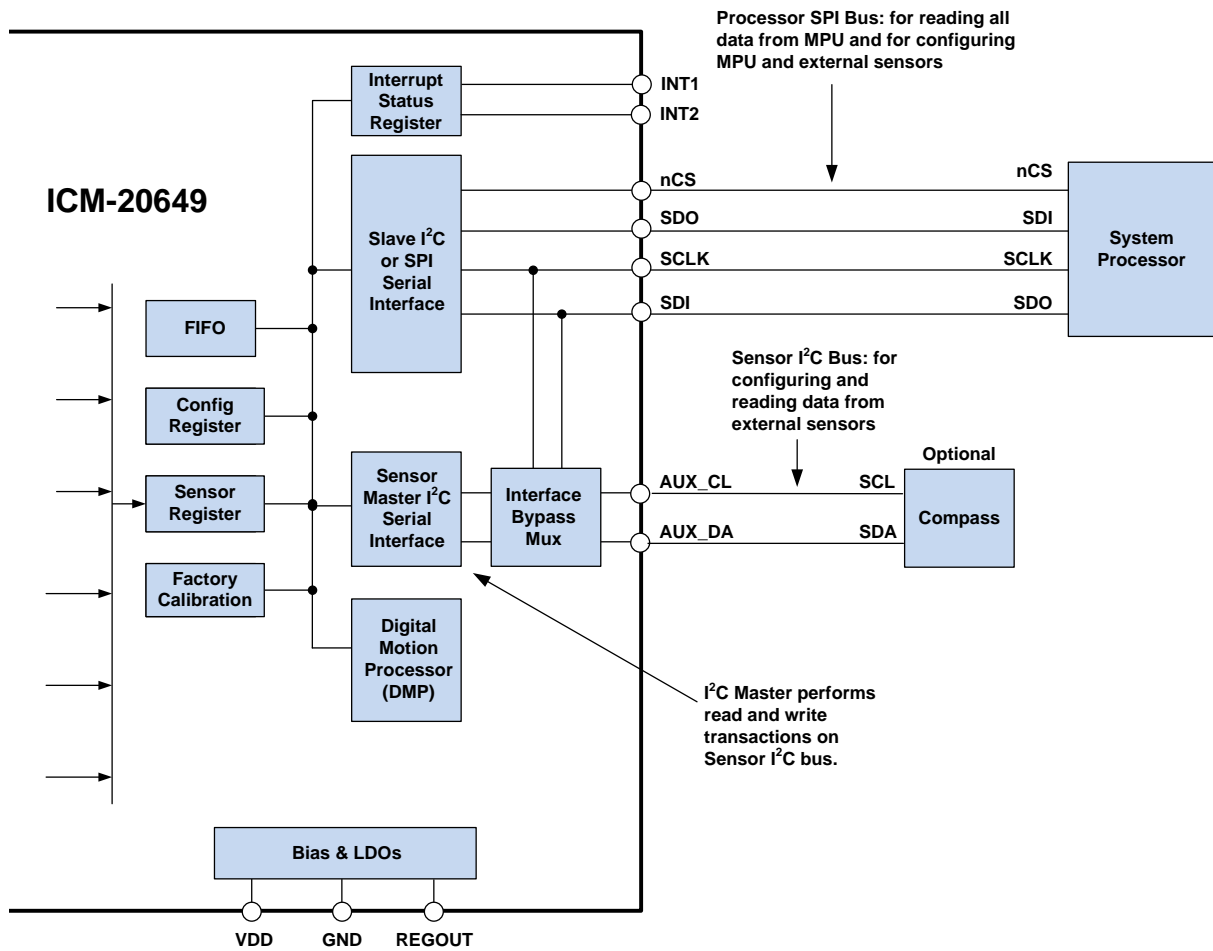


**4.9.2 ICM-20649 Solution Using SPI Interface**

In Figure 7, the system processor is an SPI master to the ICM-20649. Pins 9, 22, 23, and 24 are used to support the SDO, nCS, SCLK, and SDI signals for SPI communications. Because these SPI pins are shared with the I<sup>2</sup>C slave pins (9, 23 and 24), the system processor cannot access the auxiliary I<sup>2</sup>C bus through the interface bypass multiplexer, which connects the processor I<sup>2</sup>C interface pins to the sensor I<sup>2</sup>C interface pins. Since the ICM-20649 has limited capabilities as an I<sup>2</sup>C Master, and depends on the system processor to manage the initial configuration of any auxiliary sensors, another method must be used for programming the sensors on the auxiliary sensor I<sup>2</sup>C bus pins 7 and 21 (AUX\_CL and AUX\_DA).

When using SPI communications between the ICM-20649 and the system processor, configuration of devices on the auxiliary I<sup>2</sup>C sensor bus can be achieved by using I<sup>2</sup>C Slaves 0-4 to perform read and write transactions on any device and register on the auxiliary I<sup>2</sup>C bus. The I<sup>2</sup>C Slave 4 interface can be used to perform only single byte read and write transactions. Once the external sensors have been configured, the ICM-20649 can perform single or multi-byte reads using the sensor I<sup>2</sup>C bus. The read results from the Slave 0-3 controllers can be written to the FIFO buffer as well as to the external sensor registers.

For more information regarding the control of the ICM-20649's auxiliary I<sup>2</sup>C interface, please refer to the ICM-20649 Register Map and Register Descriptions sections.



**Figure 7. ICM-20649 Solution Using SPI Interface**

#### 4.10 AUXILIARY I<sup>2</sup>C SERIAL INTERFACE

The ICM-20649 has an auxiliary I<sup>2</sup>C bus for communicating to an off-chip 3-Axis digital output magnetometer or other sensors. This bus has two operating modes:

- **I<sup>2</sup>C Master Mode:** The ICM-20649 acts as a master to any external sensors connected to the auxiliary I<sup>2</sup>C bus
- **Pass-Through Mode:** The ICM-20649 directly connects the primary and auxiliary I<sup>2</sup>C buses together, allowing the system processor to directly communicate with any external sensors.

#### 4.11 AUXILIARY I<sup>2</sup>C BUS MODES OF OPERATION:

**I<sup>2</sup>C Master Mode:** Allows the ICM-20649 to directly access the data registers of external digital sensors, such as a magnetometer. In this mode, the ICM-20649 directly obtains data from auxiliary sensors without intervention from the system applications processor.

For example, in I<sup>2</sup>C Master mode, the ICM-20649 can be configured to perform burst reads, returning the following data from a magnetometer:

- X magnetometer data (2 bytes)
- Y magnetometer data (2 bytes)
- Z magnetometer data (2 bytes)

The I<sup>2</sup>C Master can be configured to read up to 24 bytes from up to 4 auxiliary sensors. A fifth sensor can be configured to work single byte read/write mode.

**Pass-Through Mode:** Allows an external system processor to act as master and directly communicate to the external sensors connected to the auxiliary I<sup>2</sup>C bus pins (AUX\_DA and AUX\_CL). In this mode, the auxiliary I<sup>2</sup>C bus control logic (3<sup>rd</sup> party sensor interface block) of the ICM-20649 is disabled, and the auxiliary I<sup>2</sup>C pins AUX\_CL and AUX\_DA (pins 7 and 21) are connected to the main I<sup>2</sup>C bus (Pins 23 and 24) through analog switches internally. Pass-Through mode is useful for configuring the external sensors.

#### 4.12 SELF-TEST

Self-test allows for the testing of the mechanical and electrical portions of the sensors. The self-test for each measurement axis can be activated by means of the gyroscope and accelerometer self-test registers.

When the self-test is activated, the electronics cause the sensors to be actuated and produce an output signal. The output signal is used to observe the self-test response.

The self-test response is defined as follows:

$$\text{SELF-TEST RESPONSE} = \text{SENSOR OUTPUT WITH SELF-TEST ENABLED} - \text{SENSOR OUTPUT WITHOUT SELF-TEST ENABLED}$$

The self-test response for each gyroscope axis is defined in the gyroscope specification table, while that for each accelerometer axis is defined in the accelerometer specification table.

When the value of the self-test response is within the specified min/max limits, the part has passed self-test. When the self-test response exceeds the min/max values, the part is deemed to have failed self-test. It is recommended to use InvenSense MotionApps software for executing self-test.

#### 4.13 CLOCKING

The internal system clock sources include: (1) an internal relaxation oscillator, and (2) a PLL with MEMS gyroscope oscillator as the reference clock. With the recommended clock selection setting (CLKSEL = 1), the best clock source for optimum sensor performance and power consumption will be automatically selected based on the power mode. Specifically, the internal relaxation oscillator will be selected when operating in accelerometer only mode, while the PLL will be selected whenever gyroscope is on, which includes gyroscope and 6-axis modes.

As clock accuracy is critical to the preciseness of distance and angle calculations performed by DMP, it should be noted that the internal relaxation oscillator and PLL show different performances in some aspects. The internal relaxation oscillator is trimmed to have a consistent operating frequency at room temperature, while the PLL clock frequency varies from part to part. The PLL frequency deviation from the nominal value in percentage is captured in register `TIMEBASE_CORRECTION_PLL` (detailed in section 12.5), and users can factor it in during distance and angle calculations to not sacrifice accuracy. Other than that, PLL has better frequency stability and lower frequency variation over temperature than the internal relaxation oscillator.

#### 4.14 SENSOR DATA REGISTERS

The sensor data registers contain the latest gyro, accelerometer, auxiliary sensor, and temperature measurement data. They are read-only registers, and are accessed via the serial interface. Data from these registers may be read anytime.

#### 4.15 FIFO

The ICM-20649 contains a FIFO of size 512 bytes (FIFO size will vary depending on DMP feature-set) that is accessible via the Serial Interface. The FIFO configuration register determines which data is written into the FIFO. Possible choices include gyro data, accelerometer data, temperature readings, auxiliary sensor readings, and `FSYNC` input.

A FIFO counter keeps track of how many bytes of valid data are contained in the FIFO. The FIFO register supports burst reads. The interrupt function may be used to determine when new data is available.

For further information regarding the FIFO, please refer to the ICM-20649 Register Map and Register Descriptions sections.

#### 4.16 FSYNC

The `FSYNC` pin can be used from an external interrupt source to wake up the device from sleep. It is particularly useful in EIS applications to synchronize the gyroscope ODR with external inputs from an imaging sensor. Connecting the `VSYNC` or `HSYNC` pin of the image sensor subsystem to `FSYNC` on ICM-20649 allows timing synchronization between the two otherwise unconnected subsystems.

An `FSYNC_ODR` delay time register is used to capture the delay between an `FSYNC` pulse and the very next gyroscope data ready pulse.

#### 4.17 INTERRUPTS

Interrupt functionality is configured via the Interrupt Configuration register. Items that are configurable include the INT pins configuration, the interrupt latching and clearing method, and triggers for the interrupt. Section 5 provides a summary of interrupt sources. The ICM-20649 includes two interrupt pins, INT1 and INT2. Certain DMP-based interrupts are mapped to INT2 while all other interrupts are mapped to INT1. The interrupt status can be read from the Interrupt Status register.

For further information regarding interrupts, please refer to the ICM-20649 Register Map and Register Descriptions sections.

#### 4.18 DIGITAL-OUTPUT TEMPERATURE SENSOR

An on-chip temperature sensor and ADC are used to measure the ICM-20649 die temperature. The readings from the ADC can be read from the FIFO or the Sensor Data registers.

#### 4.19 BIAS AND LDOS

The bias and LDO section generates the internal supply and the reference voltages and currents required by the ICM-20649. Its two inputs are an unregulated VDD and a VDDIO logic reference supply voltage. The LDO output is bypassed by a capacitor at REGOUT. For further details on the capacitor, please refer to the Bill of Materials for External Components.

#### 4.20 CHARGE PUMP

An on-chip charge pump generates the high voltage required for the MEMS oscillators.

#### 4.21 POWER MODES

The following table lists the user-accessible power modes for ICM-20649.

MODE	NAME	GYRO	ACCEL	DMP
1	Sleep Mode	Off	Off	Off
2	Accelerometer Mode	Off	Low-Noise or Duty-Cycled	Duty-Cycled or Off
3	Gyroscope Mode	Low-Noise or Duty-Cycled	Off	Duty-Cycled or Off
4	6-Axis Mode	Low-Noise or Duty-Cycled	Low-Noise or Duty-Cycled	Duty-Cycled or Off
5	DMP only mode	Off	Off	Duty-Cycled

**Table 11. Power Modes for ICM-20649**

**Note:** The standard mode of gyroscope and accelerometer operation is duty-cycled.

## 5 PROGRAMMABLE INTERRUPTS

The ICM-20649 has a programmable interrupt system which can generate an interrupt signal on the INT pins. Status flags indicate the source of an interrupt. Interrupt sources may be enabled and disabled individually. The following table lists the interrupt sources and which interrupt may propagate to which pin.

INTERRUPT SOURCE	INTERRUPT PIN
DMP Interrupt	INT1/INT2
Wake on Motion Interrupt	INT1
PLL RDY Interrupt	INT1
I2C Master Interrupt	INT1
Raw Data Ready Interrupt	INT1
FIFO Overflow Interrupt	INT1
FIFO Watermark Interrupt	INT1

**Table 12. Table of Interrupt Sources**

For information regarding interrupt registers, please refer to the ICM-20649 Register Map and Register Descriptions sections.

## 6 DIGITAL INTERFACE

### 6.1 I<sup>2</sup>C AND SPI SERIAL INTERFACES

The internal registers and memory of the ICM-20649 can be accessed using either I<sup>2</sup>C at 400 kHz or SPI at 7 MHz. SPI operates in four-wire mode.

Pin Number	Pin Name	Pin Description
9	AD0 / SDO	I <sup>2</sup> C Slave Address LSB (AD0); SPI serial data output (SDO)
22	nCS	Chip select (SPI mode only)
23	SCL / SCLK	I <sup>2</sup> C serial clock (SCL); SPI serial clock (SCLK)
24	SDA / SDI	I <sup>2</sup> C serial data (SDA); SPI serial data input (SDI)

**Table 13. Serial Interface**

**Note:** To prevent switching into I<sup>2</sup>C mode when using SPI, the I<sup>2</sup>C interface should be disabled by setting the *I2C\_IF\_DIS* configuration bit. Setting this bit should be performed immediately after waiting for the time specified by the “Start-Up Time for Register Read/Write” in section 3.3.1.

For further information regarding the *I2C\_IF\_DIS* bit, please refer to the ICM-20649 Register Map and Register Descriptions sections.

### 6.2 I<sup>2</sup>C INTERFACE

I<sup>2</sup>C is a two-wire interface comprised of the signals serial data (SDA) and serial clock (SCL). In general, the lines are open-drain and bi-directional. In a generalized I<sup>2</sup>C interface implementation, attached devices can be a master or a slave. The master device puts the slave address on the bus, and the slave device with the matching address acknowledges the master.

The ICM-20649 always operates as a slave device when communicating to the system processor, which thus acts as the master. SDA and SCL lines typically need pull-up resistors to VDD. The maximum bus speed is 400 kHz.

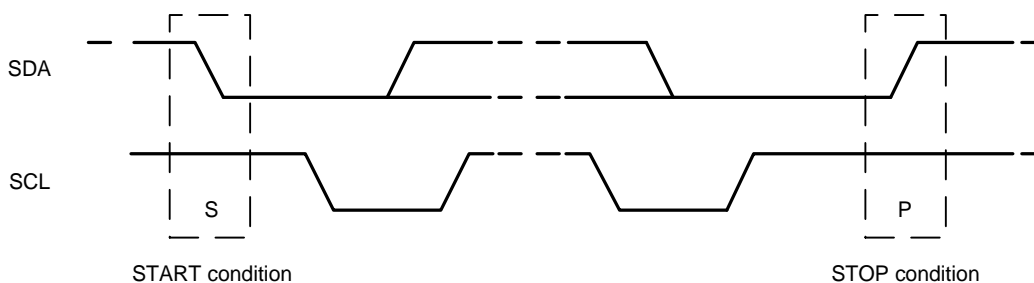
The slave address of the ICM-20649 is b110100X which is 7 bits long. The LSB bit of the 7-bit address is determined by the logic level on pin AD0. This allows two ICM-20649s to be connected to the same I<sup>2</sup>C bus. When used in this configuration, the address of the one of the devices should be b1101000 (pin AD0 is logic low) and the address of the other should be b1101001 (pin AD0 is logic high).

### 6.3 I<sup>2</sup>C COMMUNICATIONS PROTOCOL

#### START (S) and STOP (P) Conditions

Communication on the I<sup>2</sup>C bus starts when the master puts the START condition (S) on the bus, which is defined as a HIGH-to-LOW transition of the SDA line while SCL line is HIGH (see figure below). The bus is considered to be busy until the master puts a STOP condition (P) on the bus, which is defined as a LOW to HIGH transition on the SDA line while SCL is HIGH (see Figure 8).

Additionally, the bus remains busy if a repeated START (Sr) is generated instead of a STOP condition.

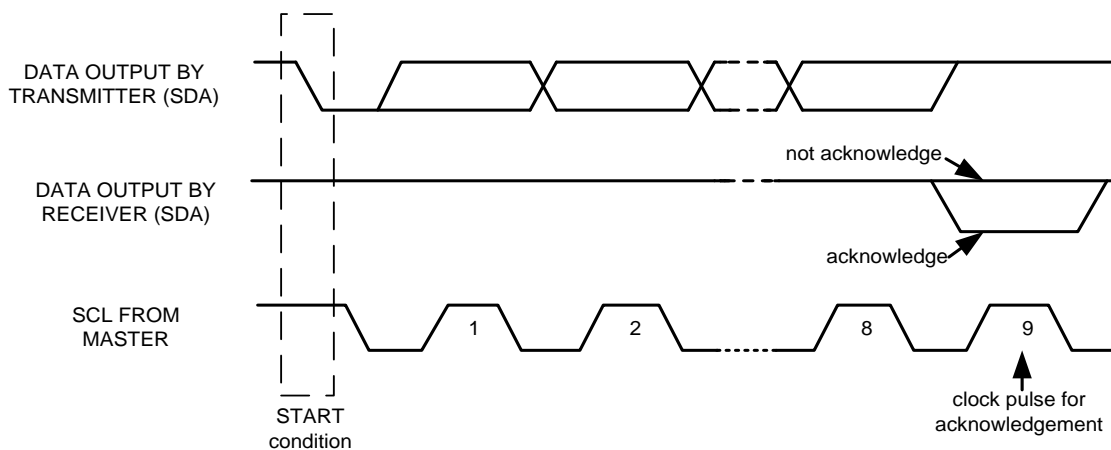


**Figure 8. START and STOP Conditions**

#### Data Format / Acknowledge

I<sup>2</sup>C data bytes are defined to be 8-bits long. There is no restriction to the number of bytes transmitted per data transfer. Each byte transferred must be followed by an acknowledge (ACK) signal. The clock for the acknowledge signal is generated by the master, while the receiver generates the actual acknowledge signal by pulling down SDA and holding it low during the HIGH portion of the acknowledge clock pulse.

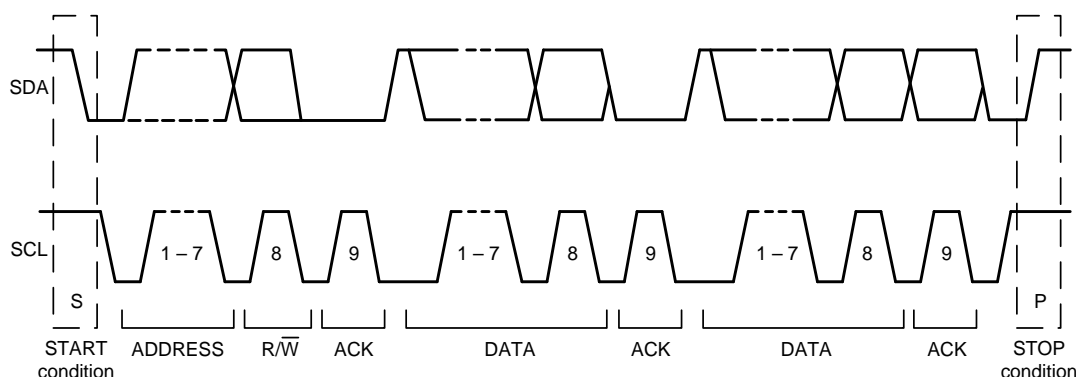
If a slave is busy and cannot transmit or receive another byte of data until some other task has been performed, it can hold SCL LOW, thus forcing the master into a wait state. Normal data transfer resumes when the slave is ready, and releases the clock line (refer to Figure 9).



**Figure 9. Acknowledge on the I<sup>2</sup>C Bus**

*Communications*

After beginning communications with the START condition (S), the master sends a 7-bit slave address followed by an 8<sup>th</sup> bit, the read/write bit. The read/write bit indicates whether the master is receiving data from or is writing to the slave device. Then, the master releases the SDA line and waits for the acknowledge signal (ACK) from the slave device. Each byte transferred must be followed by an acknowledge bit. To acknowledge, the slave device pulls the SDA line LOW and keeps it LOW for the high period of the SCL line. Data transmission is always terminated by the master with a STOP condition (P), thus freeing the communications line. However, the master can generate a repeated START condition (Sr), and address another slave without first generating a STOP condition (P). A LOW to HIGH transition on the SDA line while SCL is HIGH defines the stop condition. All SDA changes should take place when SCL is low, with the exception of start and stop conditions.



**Figure 10. Complete I<sup>2</sup>C Data Transfer**

To write the internal ICM-20649 registers, the master transmits the start condition (S), followed by the I<sup>2</sup>C address and the write bit (0). At the 9<sup>th</sup> clock cycle (when the clock is high), the ICM-20649 acknowledges the transfer. Then the master puts the register address (RA) on the bus. After the ICM-20649 acknowledges the reception of the register address, the master puts the register data onto the bus. This is followed by the ACK signal, and data transfer may be concluded by the stop condition (P). To write multiple bytes after the last ACK signal, the master can continue outputting data rather than transmitting a stop signal. In this case, the ICM-20649 automatically increments the register address and loads the data to the appropriate register. The following figures show single and two-byte write sequences.

*Single-Byte Write Sequence*

Master	S	AD+W		RA		DATA		P
Slave			ACK		ACK		ACK	

*Burst Write Sequence*

Master	S	AD+W		RA		DATA		DATA		P
Slave			ACK		ACK		ACK		ACK	

To read the internal ICM-20649 registers, the master sends a start condition, followed by the I<sup>2</sup>C address and a write bit, and then the register address that is going to be read. Upon receiving the ACK signal from the ICM-20649, the master transmits a start signal followed by the slave address and read bit. As a result, the ICM-20649 sends an ACK signal and the data. The communication ends with a not acknowledge (NACK) signal and a stop bit from master. The NACK condition is defined such that the SDA line remains high at the 9<sup>th</sup> clock cycle. The following figures show single and two-byte read sequences.



*Single-Byte Read Sequence*

Master	S	AD+W		RA		S	AD+R			NACK	P
Slave			ACK		ACK			ACK	DATA		

*Burst Read Sequence*

Master	S	AD+W		RA		S	AD+R			ACK		NACK	P
Slave			ACK		ACK			ACK	DATA		DATA		

**6.4 I<sup>2</sup>C TERMS**

SIGNAL	DESCRIPTION
S	Start Condition: SDA goes from high to low while SCL is high
AD	Slave I <sup>2</sup> C address
W	Write bit (0)
R	Read bit (1)
ACK	Acknowledge: SDA line is low while the SCL line is high at the 9 <sup>th</sup> clock cycle
NACK	Not-Acknowledge: SDA line stays high at the 9 <sup>th</sup> clock cycle
RA	ICM-20649 internal register address
DATA	Transmit or received data
P	Stop condition: SDA going from low to high while SCL is high

**Table 14. I<sup>2</sup>C Terms**

**6.5 SPI INTERFACE**

SPI is a 4-wire synchronous serial interface that uses two control lines and two data lines. The ICM-20649 always operates as a Slave device during standard Master-Slave SPI operation.

With respect to the Master, the Serial Clock output (SCLK), the Serial Data Output (SDO) and the Serial Data Input (SDI) are shared among the Slave devices. Each SPI slave device requires its own Chip Select (CS) line from the master.

CS goes low (active) at the start of transmission and goes back high (inactive) at the end. Only one CS line is active at a time, ensuring that only one slave is selected at any given time. The CS lines of the non-selected slave devices are held high, causing their SDO lines to remain in a high-impedance (high-z) state so that they do not interfere with any active devices.

*SPI Operational Features*

1. Data is delivered MSB first and LSB last
2. Data is latched on the rising edge of SCLK
3. Data should be transitioned on the falling edge of SCLK
4. The maximum frequency of SCLK is 7 MHz
5. SPI read and write operations are completed in 16 or more clock cycles (two or more bytes). The first byte contains the SPI Address, and the following byte(s) contain(s) the SPI data. The first bit of the first byte contains the Read/Write bit and indicates the Read (1) or Write (0) operation. The following 7 bits contain the Register Address. In cases of multiple-byte Read/Writes, data is two or more bytes:

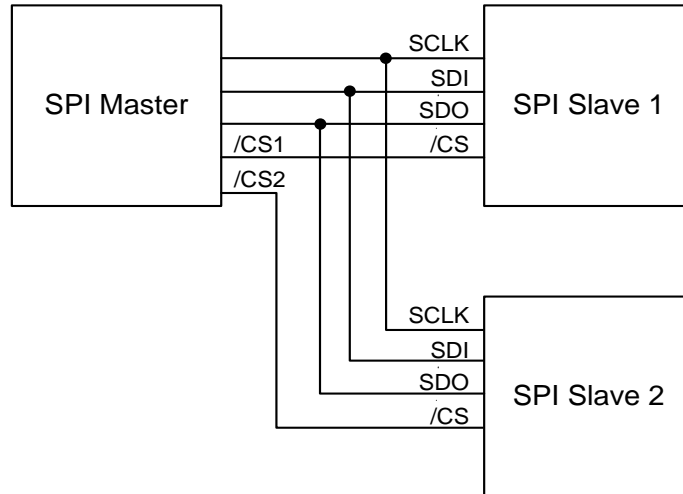
*SPI Address format*

<b>MSB</b>							<b>LSB</b>
R/W	A6	A5	A4	A3	A2	A1	A0

*SPI Data format*

<b>MSB</b>							<b>LSB</b>
D7	D6	D5	D4	D3	D2	D1	D0

6. Supports Single or Burst Read/Writes.



**Figure 11. Typical SPI Master / Slave Configuration**

## 7 REGISTER MAP

The following table lists the register map for the ICM-20649, for user banks 0, 1, 2, 3.

### 7.1 USER BANK 0 REGISTER MAP:

Addr (Hex)	Addr (Dec.)	Register Name	Serial I/F	Bit7	Bit6	Bit5	Bit4	Bit3	Bit2	Bit1	Bit0	
00	0	WHO_AM_I	R	WHO_AM_I[7:0]								
03	3	USER_CTRL	R/W	DMP_EN	FIFO_EN	I2C_MST_EN	I2C_IF_DIS	DMP_RST	SRAM_RST	I2C_MST_RST	-	
05	5	LP_CONFIG	R/W		I2C_MST_CYCLE	ACCEL_CYCLE	GYRO_CYCLE	-				
06	6	PWR_MGMT_1	R/W	DEVICE_RESET	SLEEP	LP_EN	-	TEMP_DIS	CLKSEL[2:0]			
07	7	PWR_MGMT_2	R/W	-		DISABLE_ACCEL			DISABLE_GYRO			
0F	15	INT_PIN_CFG	R/W	INT1_ACTL	INT1_OPEN	INT1_LATCH_INT_EN	INT_ANYRD_2CLEAR	ACTL_FSYNC	FSYNC_INT_MODE_EN	BYPASS_EN	-	
10	16	INT_ENABLE	R/W	REG_WOF_EN	-		DMP_INT2_EN	WOM_INT_EN	PLL_RDY_EN	DMP_INT1_EN	I2C_MST_INT_EN	
11	17	INT_ENABLE_1	R/W	INT2_ACTL	INT2_OPEN	INT2_LATCH_EN	-				RAW_DATA_0_RDY_EN	
12	18	INT_ENABLE_2	R/W	-			FIFO_OVERFLOW_EN[4:0]					
13	19	INT_ENABLE_3	R/W	-			FIFO_WM_EN[4:0]					
17	23	I2C_MST_STATUS	R/C	PASS_THROUGH	I2C_SLV4_DONE	I2C_LOST_ARB	I2C_SLV4_NACK	I2C_SLV3_NACK	I2C_SLV2_NACK	I2C_SLV1_NACK	I2C_SLV0_NACK	
19	25	INT_STATUS	R/C	-				WOM_INT	PLL_RDY_INT	DMP_INT1	I2C_MST_INT	
1A	26	INT_STATUS_1	R/C	-								RAW_DATA_0_RDY_INT
1B	27	INT_STATUS_2	R/C	-			FIFO_OVERFLOW_INT[4:0]					
1C	28	INT_STATUS_3	R/C	-			FIFO_WM_INT[4:0]					
28	40	DELAY_TIMEH	R	DELAY_TIMEH[7:0]								
29	41	DELAY_TIMEL	R	DELAY_TIMEL[7:0]								
2D	45	ACCEL_XOUT_H	R	ACCEL_XOUT_H[7:0]								
2E	46	ACCEL_XOUT_L	R	ACCEL_XOUT_L[7:0]								
2F	47	ACCEL_YOUT_H	R	ACCEL_YOUT_H[7:0]								
30	48	ACCEL_YOUT_L	R	ACCEL_YOUT_L[7:0]								
31	49	ACCEL_ZOUT_H	R	ACCEL_ZOUT_H[7:0]								
32	50	ACCEL_ZOUT_L	R	ACCEL_ZOUT_L[7:0]								
33	51	GYRO_XOUT_H	R	GYRO_XOUT_H[7:0]								
34	52	GYRO_XOUT_L	R	GYRO_XOUT_L[7:0]								
35	53	GYRO_YOUT_H	R	GYRO_YOUT_H[7:0]								
36	54	GYRO_YOUT_L	R	GYRO_YOUT_L[7:0]								
37	55	GYRO_ZOUT_H	R	GYRO_ZOUT_H[7:0]								
38	56	GYRO_ZOUT_L	R	GYRO_ZOUT_L[7:0]								
39	57	TEMP_OUT_H	R	TEMP_OUT_H[7:0]								
3A	58	TEMP_OUT_L	R	TEMP_OUT_L[7:0]								
3B	59	EXT_SLV_SENS_DATA_00	R	EXT_SLV_SENS_DATA_00[7:0]								
3C	60	EXT_SLV_SENS_DATA_01	R	EXT_SLV_SENS_DATA_01[7:0]								
3D	61	EXT_SLV_SENS_DATA_02	R	EXT_SLV_SENS_DATA_02[7:0]								
3E	62	EXT_SLV_SENS_DATA_03	R	EXT_SLV_SENS_DATA_03[7:0]								
3F	63	EXT_SLV_SENS_DATA_04	R	EXT_SLV_SENS_DATA_04[7:0]								
40	64	EXT_SLV_SENS_DATA_05	R	EXT_SLV_SENS_DATA_05[7:0]								
41	65	EXT_SLV_SENS_DATA_06	R	EXT_SLV_SENS_DATA_06[7:0]								
42	66	EXT_SLV_SENS_DATA_07	R	EXT_SLV_SENS_DATA_07[7:0]								
43	67	EXT_SLV_SENS_DATA_08	R	EXT_SLV_SENS_DATA_08[7:0]								
44	68	EXT_SLV_SENS_DATA_09	R	EXT_SLV_SENS_DATA_09[7:0]								
45	69	EXT_SLV_SENS_DATA_10	R	EXT_SLV_SENS_DATA_10[7:0]								
46	70	EXT_SLV_SENS_DATA_11	R	EXT_SLV_SENS_DATA_11[7:0]								
47	71	EXT_SLV_SENS_DATA_12	R	EXT_SLV_SENS_DATA_12[7:0]								
48	72	EXT_SLV_SENS_DATA_13	R	EXT_SLV_SENS_DATA_13[7:0]								

Addr (Hex)	Addr (Dec.)	Register Name	Serial I/F	Bit7	Bit6	Bit5	Bit4	Bit3	Bit2	Bit1	Bit0		
49	73	EXT_SLV_SENS_DATA_14	R	EXT_SLV_SENS_DATA_14[7:0]									
4A	74	EXT_SLV_SENS_DATA_15	R	EXT_SLV_SENS_DATA_15[7:0]									
4B	75	EXT_SLV_SENS_DATA_16	R	EXT_SLV_SENS_DATA_16[7:0]									
4C	76	EXT_SLV_SENS_DATA_17	R	EXT_SLV_SENS_DATA_17[7:0]									
4D	77	EXT_SLV_SENS_DATA_18	R	EXT_SLV_SENS_DATA_18[7:0]									
4E	78	EXT_SLV_SENS_DATA_19	R	EXT_SLV_SENS_DATA_19[7:0]									
4F	79	EXT_SLV_SENS_DATA_20	R	EXT_SLV_SENS_DATA_20[7:0]									
50	80	EXT_SLV_SENS_DATA_21	R	EXT_SLV_SENS_DATA_21[7:0]									
51	81	EXT_SLV_SENS_DATA_22	R	EXT_SLV_SENS_DATA_22[7:0]									
52	82	EXT_SLV_SENS_DATA_23	R	EXT_SLV_SENS_DATA_23[7:0]									
66	102	FIFO_EN_1	R/W	-				SLV_3_FIFO_EN	SLV_2_FIFO_EN	SLV_1_FIFO_EN	SLV_0_FIFO_EN		
67	103	FIFO_EN_2	R/W	-				ACCEL_FIFO_EN	GYRO_Z_FIFO_EN	GYRO_Y_FIFO_EN	GYRO_X_FIFO_EN	TEMP_FIFO_EN	
68	104	FIFO_RST	R/W	-				FIFO_RESET[4:0]					
69	105	FIFO_MODE	R/W	-				FIFO_MODE[4:0]					
70	112	FIFO_COUNTH	R	-				FIFO_CNT[12:8]					
71	113	FIFO_COUNTL	R	FIFO_CNT[7:0]									
72	114	FIFO_R_W	R/W	FIFO_R_W[7:0]									
74	116	DATA_RDY_STATUS	R/C	WOF_STATUS	-				RAW_DATA_RDY[3:0]				
76	118	FIFO_CFG	R/W	-								FIFO_CFG	
7F	127	REG_BANK_SEL	R/W	-				USER_BANK[1:0]		-			

## 7.2 USER BANK 1 REGISTER MAP:

Addr (Hex)	Addr (Dec.)	Register Name	Serial I/F	Bit7	Bit6	Bit5	Bit4	Bit3	Bit2	Bit1	Bit0		
02	2	SELF_TEST_X_GYRO	R/W	XG_ST_DATA[7:0]									
03	3	SELF_TEST_Y_GYRO	R/W	YG_ST_DATA[7:0]									
04	4	SELF_TEST_Z_GYRO	R/W	ZG_ST_DATA[7:0]									
0E	14	SELF_TEST_X_ACCEL	R/W	XA_ST_DATA[7:0]									
0F	15	SELF_TEST_Y_ACCEL	R/W	YA_ST_DATA[7:0]									
10	16	SELF_TEST_Z_ACCEL	R/W	ZA_ST_DATA[7:0]									
14	20	XA_OFFS_H	R/W	XA_OFFS[14:7]									
15	21	XA_OFFS_L	R/W	XA_OFFS[6:0]									
17	23	YA_OFFS_H	R/W	YA_OFFS[14:7]									
18	24	YA_OFFS_L	R/W	YA_OFFS[6:0]									
1A	26	ZA_OFFS_H	R/W	ZA_OFFS[14:7]									
1B	27	ZA_OFFS_L	R/W	ZA_OFFS[6:0]									
28	40	TIMEBASE_CORRECTION_PL L	R/W	TBC_PLL[7:0]									
7F	127	REG_BANK_SEL	R/W	-				USER_BANK[1:0]		-			

## 7.3 USER BANK 2 REGISTER MAP:

Addr (Hex)	Addr (Dec.)	Register Name	Serial I/F	Bit7	Bit6	Bit5	Bit4	Bit3	Bit2	Bit1	Bit0	
00	0	GYRO_SMP_LRT_DIV	R/W	GYRO_SMP_LRT_DIV[7:0]								
01	1	GYRO_CONFIG_1	R/W	-				GYRO_DL_PFCFG[2:0]		GYRO_FS_SEL[1:0]		GYRO_FCHOICE
02	2	GYRO_CONFIG_2	R/W	-				XGYRO_CTEN	YGYRO_CTEN	ZGYRO_CTEN	GYRO_AVG_CFG[2:0]	
03	3	XG_OFFS_USRH	R/W	X_OFFS_USER[15:8]								
04	4	XG_OFFS_USRL	R/W	X_OFFS_USER[7:0]								
05	5	YG_OFFS_USRH	R/W	Y_OFFS_USER[15:8]								
06	6	YG_OFFS_USRL	R/W	Y_OFFS_USER[7:0]								
07	7	ZG_OFFS_USRH	R/W	Z_OFFS_USER[15:8]								
08	8	ZG_OFFS_USRL	R/W	Z_OFFS_USER[7:0]								

Addr (Hex)	Addr (Dec.)	Register Name	Serial I/F	Bit7	Bit6	Bit5	Bit4	Bit3	Bit2	Bit1	Bit0		
09	9	ODR_ALIGN_EN	R/W	-							ODR_ALIGN_EN		
10	16	ACCEL_SMP_LRT_DIV_1	R/W	-				ACCEL_SMP_LRT_DIV[11:8]					
11	17	ACCEL_SMP_LRT_DIV_2	R/W	ACCEL_SMP_LRT_DIV[7:0]									
12	18	ACCEL_INTEL_CTRL	R/W	-							ACCEL_INTEL_EN	ACCEL_INTEL_MODE_INT	
13	19	ACCEL_WOM_THR	R/W	WOM_THRESHOLD[7:0]									
14	20	ACCEL_CONFIG	R/W	-	ACCEL_DLP_CFG[2:0]				ACCEL_FS_SEL[1:0]		ACCEL_FCHOICE		
15	21	ACCEL_CONFIG_2	R/W	-			AX_ST_EN_REG	AY_ST_EN_REG	AZ_ST_EN_REG	DEC3_CFG[1:0]			
52	82	FSYNC_CONFIG	R/W	DELAY_TIME_EN	-	WOF_DEGLITCH_EN	WOF_EDGE_INT	EXT_SYNC_SET[3:0]					
53	83	TEMP_CONFIG	R/W	-							TEMP_DLP_CFG[2:0]		
54	84	MOD_CTRL_USR	R/W	-									REG_LP_DMP_EN
7F	127	REG_BANK_SEL	R/W	-			USER_BANK[1:0]		-				

### 7.4 USER BANK 3 REGISTER MAP:

Addr (Hex)	Addr (Dec.)	Register Name	Serial I/F	Bit7	Bit6	Bit5	Bit4	Bit3	Bit2	Bit1	Bit0	
00	0	I2C_MST_ODR_CONFIG	R/W	-							I2C_MST_ODR_CONFIG[3:0]	
01	1	I2C_MST_CTRL	R/W	MULT_MST_EN	-		I2C_MST_PNSR	I2C_MST_CLK[3:0]				
02	2	I2C_MST_DELAY_CTRL	R/W	DELAY_SHADOW	-		I2C_SLV4_DELAY_EN	I2C_SLV3_DELAY_EN	I2C_SLV2_DELAY_EN	I2C_SLV1_DELAY_EN	I2C_SLV0_DELAY_EN	
03	3	I2C_SLV0_ADDR	R/W	I2C_SLV0_RNW	I2C_ID_0[6:0]							
04	4	I2C_SLV0_REG	R/W	I2C_SLV0_REG[7:0]								
05	5	I2C_SLV0_CTRL	R/W	I2C_SLV0_EN	I2C_SLV0_BYTE_SW	I2C_SLV0_REG_DIS	I2C_SLV0_GRP	I2C_SLV0_LEN[3:0]				
06	6	I2C_SLV0_DO	R/W	I2C_SLV0_DO[7:0]								
07	7	I2C_SLV1_ADDR	R/W	I2C_SLV1_RNW	I2C_ID_1[6:0]							
08	8	I2C_SLV1_REG	R/W	I2C_SLV1_REG[7:0]								
09	9	I2C_SLV1_CTRL	R/W	I2C_SLV1_EN	I2C_SLV1_BYTE_SW	I2C_SLV1_REG_DIS	I2C_SLV1_GRP	I2C_SLV1_LEN[3:0]				
0A	10	I2C_SLV1_DO	R/W	I2C_SLV1_DO[7:0]								
0B	11	I2C_SLV2_ADDR	R/W	I2C_SLV2_RNW	I2C_ID_2[6:0]							
0C	12	I2C_SLV2_REG	R/W	I2C_SLV2_REG[7:0]								
0D	13	I2C_SLV2_CTRL	R/W	I2C_SLV2_EN	I2C_SLV2_BYTE_SW	I2C_SLV2_REG_DIS	I2C_SLV2_GRP	I2C_SLV2_LEN[3:0]				
0E	14	I2C_SLV2_DO	R/W	I2C_SLV2_DO[7:0]								
0F	15	I2C_SLV3_ADDR	R/W	I2C_SLV3_RNW	I2C_ID_3[6:0]							
10	16	I2C_SLV3_REG	R/W	I2C_SLV3_REG[7:0]								
11	17	I2C_SLV3_CTRL	R/W	I2C_SLV3_EN	I2C_SLV3_BYTE_SW	I2C_SLV3_REG_DIS	I2C_SLV3_GRP	I2C_SLV3_LEN[3:0]				
12	18	I2C_SLV3_DO	R/W	I2C_SLV3_DO[7:0]								
13	19	I2C_SLV4_ADDR	R/W	I2C_SLV4_RNW	I2C_ID_4[6:0]							
14	20	I2C_SLV4_REG	R/W	I2C_SLV4_REG[7:0]								
15	21	I2C_SLV4_CTRL	R/W	I2C_SLV4_EN	I2C_SLV4_BYTE_SW	I2C_SLV4_REG_DIS	I2C_SLV4_DLY[4:0]					
16	22	I2C_SLV4_DO	R/W	I2C_SLV4_DO[7:0]								
17	23	I2C_SLV4_DI	R	I2C_SLV4_DI[7:0]								
7F	127	REG_BANK_SEL	R/W	-			USER_BANK[1:0]		-			

## 8 REGISTER DESCRIPTIONS

This section describes the function and contents of each register within the ICM-20649.

**Note:** The device will come up in sleep mode upon power-up.

### 8.1 USR BANK 0 REGISTER MAP

#### 8.1.1 WHO\_AM\_I

**Name:** WHO\_AM\_I  
**Address:** 0 (00h)  
**Type:** USR0  
**Bank:** 0  
**Serial IF:** R  
**Reset Value:** 0xE1

BIT	NAME	FUNCTION
7:0	WHO_AM_I[7:0]	Register to indicate to user which device is being accessed. The value for ICM-20649 is 0xE1

#### 8.1.2 USER\_CTRL

**Name:** USER\_CTRL  
**Address:** 3 (03h)  
**Type:** USR0  
**Bank:** 0  
**Serial IF:** R/W  
**Reset Value:** 0x00

BIT	NAME	FUNCTION
7	DMP_EN	1 – Enables DMP features. 0 – DMP features are disabled after the current processing round has completed.
6	FIFO_EN	1 – Enable FIFO operation mode. 0 – Disable FIFO access from serial interface. To disable FIFO writes by DMA, use FIFO_EN register. To disable possible FIFO writes from DMP, disable the DMP.
5	I2C_MST_EN	1 – Enable the I <sup>2</sup> C Master I/F module; pins ES_DA and ES_SCL are isolated from pins SDA/SDI and SCL/ SCLK. 0 – Disable I <sup>2</sup> C Master I/F module; pins ES_DA and ES_SCL are logically driven by pins SDA/SDI and SCL/ SCLK.
4	I2C_IF_DIS	1 – Reset I <sup>2</sup> C Slave module and put the serial interface in SPI mode only.
3	DMP_RST	1 – Reset DMP module. Reset is asynchronous. This bit auto clears after one clock cycle of the internal 20 MHz clock.
2	SRAM_RST	1 – Reset SRAM module. Reset is asynchronous. This bit auto clears after one clock cycle of the internal 20 MHz clock.
1	I2C_MST_RST	1 – Reset I <sup>2</sup> C Master module. Reset is asynchronous. This bit auto clears after one clock cycle of the internal 20 MHz clock. <b>Note:</b> This bit should only be set when the I <sup>2</sup> C master has hung. If this bit is set during an active I <sup>2</sup> C master transaction, the I <sup>2</sup> C slave will hang, which will require the host to reset the slave.
0	-	Reserved.

### 8.1.3 LP\_CONFIG

**Name:** LP\_CONFIG

**Address:** 5 (05h)

**Type:** USR0

**Bank:** 0

**Serial IF:** R/W

**Reset Value:** 0x40

BIT	NAME	FUNCTION
7	-	Reserved.
6	I2C_MST_CYCLE	1 - Operate I <sup>2</sup> C master in duty cycled mode. ODR is determined by I2C_MST_ODR_CONFIG register. 0 - Disable I <sup>2</sup> C master duty cycled mode.
5	ACCEL_CYCLE	1 - Operate ACCEL in duty cycled mode. ODR is determined by ACCEL_SMPLRT_DIV register. 0 - Disable ACCEL duty cycled mode.
4	GYRO_CYCLE	1 - Operate GYRO in duty cycled mode. ODR is determined by GYRO_SMPLRT_DIV register. 0 - Disable GYRO duty cycled mode.
3:0	-	Reserved.

### 8.1.4 PWR\_MGMT\_1

**Name:** PWR\_MGMT\_1

**Address:** 6 (06h)

**Type:** USR0

**Bank:** 0

**Serial IF:** R/W

**Reset Value:** 0x41

BIT	NAME	FUNCTION										
7	DEVICE_RESET	1 - Reset the internal registers and restores the default settings. Write a 1 to set the reset; the bit will auto clear.										
6	SLEEP	When set, the chip is set to sleep mode (in sleep mode all analog is powered off). Clearing the bit wakes the chip from sleep mode.										
5	LP_EN	The LP_EN only affects the digital circuitry, it helps to reduce the digital current when sensors are in LP mode. Please note that the sensors themselves are set in LP mode by the LP_CONFIG register settings. Sensors in LP mode, and use of LP_EN bit together help to reduce overall current. The bit settings are: 1: Turn on low power feature. 0: Turn off low power feature. LP_EN has no effect when the sensors are in low-noise mode.										
4	-	Reserved.										
3	TEMP_DIS	When set to 1, this bit disables the temperature sensor.										
2:0	CLKSEL[2:0]	<table border="0"> <tr> <td><b>Code</b></td> <td><b>Clock Source</b></td> </tr> <tr> <td>0</td> <td>Internal 20 MHz oscillator</td> </tr> <tr> <td>1-5</td> <td>Auto selects the best available clock source - PLL if ready, else use the Internal oscillator</td> </tr> <tr> <td>6</td> <td>Internal 20 MHz oscillator</td> </tr> <tr> <td>7</td> <td>Stops the clock and keeps timing generator in reset</td> </tr> </table> <p><b>Note:</b> CLKSEL[2:0] should be set to 1~5 to achieve full gyroscope performance.</p>	<b>Code</b>	<b>Clock Source</b>	0	Internal 20 MHz oscillator	1-5	Auto selects the best available clock source - PLL if ready, else use the Internal oscillator	6	Internal 20 MHz oscillator	7	Stops the clock and keeps timing generator in reset
<b>Code</b>	<b>Clock Source</b>											
0	Internal 20 MHz oscillator											
1-5	Auto selects the best available clock source - PLL if ready, else use the Internal oscillator											
6	Internal 20 MHz oscillator											
7	Stops the clock and keeps timing generator in reset											

### 8.1.5 PWR\_MGMT\_2

**Name:** PWR\_MGMT\_2

**Address:** 7 (07h)

**Type:** USR0

**Bank:** 0

**Serial IF:** R/W

**Reset Value:** 0x00

BIT	NAME	FUNCTION
7:6	-	Reserved.
5:3	DISABLE_ACCEL	Only the following values are applicable: 111 – Accelerometer (all axes) disabled. 000 – Accelerometer (all axes) on.
2:0	DISABLE_GYRO	Only the following values are applicable: 111 – Gyroscope (all axes) disabled. 000 – Gyroscope (all axes) on.

### 8.1.6 INT\_PIN\_CFG

**Name:** INT\_PIN\_CFG

**Address:** 15 (0Fh)

**Type:** USR0

**Bank:** 0

**Serial IF:** R/W

**Reset Value:** 0x00

BIT	NAME	FUNCTION
7	INT1_ACTL	1 – The logic level for INT1 pin is active low. 0 – The logic level for INT1 pin is active high.
6	INT1_OPEN	1 – INT1 pin is configured as open drain. 0 – INT1 pin is configured as push-pull.
5	INT1_LATCH_EN	1 – INT1 pin level held until interrupt status is cleared. 0 – INT1 pin indicates interrupt pulse is width 50 $\mu$ s.
4	INT_ANYRD_2CLEAR	1 – Interrupt status in INT_STATUS is cleared (set to 0) if any read operation is performed. 0 – Interrupt status in INT_STATUS is cleared (set to 0) only by reading INT_STATUS register. This bit only affects the interrupt status bits that are contained in the register INT_STATUS, and the corresponding hardware interrupt. This bit does not affect the interrupt status bits that are contained in registers INT_STATUS_1, INT_STATUS_2, INT_STATUS_3, and the corresponding hardware interrupt.
3	ACTL_FSYNC	1 – The logic level for the FSYNC pin as an interrupt to the ICM-20649 is active low. 0 – The logic level for the FSYNC pin as an interrupt to the ICM-20649 is active high.
2	FSYNC_INT_MODE_EN	1 – This enables the FSYNC pin to be used as an interrupt. A transition to the active level described by the ACTL_FSYNC bit will cause an interrupt. The status of the interrupt is read in the I <sup>2</sup> C Master Status register PASS_THROUGH bit. 0 – This disables the FSYNC pin from causing an interrupt.
1	BYPASS_EN	When asserted, the I <sup>2</sup> C_MASTER interface pins (ES_CL and ES_DA) will go into 'bypass mode' when the I <sup>2</sup> C master interface is disabled.
0	-	Reserved.



### 8.1.7 INT\_ENABLE

**Name:** INT\_ENABLE  
**Address:** 16 (10h)  
**Type:** USR0  
**Bank:** 0  
**Serial IF:** R/W  
**Reset Value:** 0x00

BIT	NAME	FUNCTION
7	REG_WOF_EN	1 – Enable wake on FSYNC interrupt 0 – Function is disabled.
6:5	-	Reserved
4	DMP_INT2_EN	1 – Enable DMP interrupt to propagate to interrupt pin 2. 0 – Function is disabled.
3	WOM_INT_EN	1 – Enable interrupt for wake on motion to propagate to interrupt pin 1. 0 – Function is disabled.
2	PLL_RDY_EN	1 – Enable PLL RDY interrupt (PLL RDY means PLL is running and in use as the clock source for the system) to propagate to interrupt pin 1. 0 – Function is disabled.
1	DMP_INT1_EN	1 – Enable DMP interrupt to propagate to interrupt pin 1. 0 – Function is disabled.
0	I2C_MST_INT_EN	1 – Enable I <sup>2</sup> C master interrupt to propagate to interrupt pin 1. 0 – Function is disabled.

### 8.1.8 INT\_ENABLE\_1

**Name:** INT\_ENABLE\_1  
**Address:** 17 (11h)  
**Type:** USR0  
**Bank:** 0  
**Serial IF:** R/W  
**Reset Value:** 0x00

BIT	NAME	FUNCTION
7	INT2_ACTL	1 – The logic level for INT2 pin is active low. 0 – The logic level for INT2 pin is active high.
6	INT2_OPEN	1 – INT2 pin is configured as open drain. 0 – INT2 pin is configured as push-pull.
5	INT2_LATCH_EN	1 – INT2 pin level held until interrupt status is cleared. 0 – INT2 pin indicates interrupt pulse is width 50 $\mu$ s.
4:1	-	Reserved.
0	RAW_DATA_0_RDY_EN	1 – Enable raw data ready interrupt from any sensor to propagate to interrupt pin 1. 0 – Function is disabled.

### 8.1.9 INT\_ENABLE\_2

**Name:** INT\_ENABLE\_2  
**Address:** 18 (12h)  
**Type:** USR0  
**Bank:** 0  
**Serial IF:** R/W  
**Reset Value:** 0x00

BIT	NAME	FUNCTION
7:5	-	Reserved.
4:0	FIFO_OVERFLOW_EN[4:0]	1 – Enable interrupt for FIFO overflow to propagate to interrupt pin 1. 0 – Function is disabled.

### 8.1.10 INT\_ENABLE\_3

**Name:** INT\_ENABLE\_3

**Address:** 19 (13h)

**Type:** USR0

**Bank:** 0

**Serial IF:** R/W

**Reset Value:** 0x00

BIT	NAME	FUNCTION
7:5	-	Reserved.
4:0	FIFO_WM_EN[4:0]	1 – Enable interrupt for FIFO watermark to propagate to interrupt pin 1. 0 – Function is disabled.

### 8.1.11 I2C\_MST\_STATUS

**Name:** I2C\_MST\_STATUS

**Address:** 23 (17h)

**Type:** USR0

**Bank:** 0

**Serial IF:** R/C

**Reset Value:** 0x00

BIT	NAME	FUNCTION
7	PASS_THROUGH	Status of FSYNC interrupt – used as a way to pass an external interrupt through this chip to the host. If enabled in the INT_PIN_CFG register by asserting bit FSYNC_INT_MODE_EN, this will cause an interrupt. A read of this register clears all status bits in this register.
6	I2C_SLV4_DONE	Asserted when I <sup>2</sup> C slave 4's transfer is complete, will cause an interrupt if bit I2C_MST_INT_EN in the INT_ENABLE register is asserted, and if the SLV4_DONE_INT_EN bit is asserted in the I2C_SLV4_CTRL register.
5	I2C_LOST_ARB	Asserted when I <sup>2</sup> C slave loses arbitration of the I <sup>2</sup> C bus, will cause an interrupt if bit I2C_MST_INT_EN in the INT_ENABLE register is asserted.
4	I2C_SLV4_NACK	Asserted when slave 4 receives a NACK, will cause an interrupt if bit I2C_MST_INT_EN in the INT_ENABLE register is asserted.
3	I2C_SLV3_NACK	Asserted when slave 3 receives a NACK, will cause an interrupt if bit I2C_MST_INT_EN in the INT_ENABLE register is asserted.
2	I2C_SLV2_NACK	Asserted when slave 2 receives a NACK, will cause an interrupt if bit I2C_MST_INT_EN in the INT_ENABLE register is asserted.
1	I2C_SLV1_NACK	Asserted when slave 1 receives a NACK, will cause an interrupt if bit I2C_MST_INT_EN in the INT_ENABLE register is asserted.
0	I2C_SLV0_NACK	Asserted when slave 0 receives a NACK, will cause an interrupt if bit I2C_MST_INT_EN in the INT_ENABLE register is asserted.

### 8.1.12 INT\_STATUS

**Name:** INT\_STATUS

**Address:** 25 (19h)

**Type:** USR0

**Bank:** 0

**Serial IF:** R/C

**Reset Value:** 0x00

BIT	NAME	FUNCTION
7:4	-	Reserved.
3	WOM_INT	1 – Wake on motion interrupt occurred.
2	PLL_RDY_INT	1 – Indicates that the PLL has been enabled and is ready (delay of 4 ms ensures lock).
1	DMP_INT1	1 – Indicates the DMP has generated INT1 interrupt.
0	I2C_MST_INT	1 - Indicates I <sup>2</sup> C master has generated an interrupt.

**8.1.13 12.1.13 INT\_STATUS\_1**

**Name:** INT\_STATUS\_1  
**Address:** 26 (1Ah)  
**Type:** USR0  
**Bank:** 0  
**Serial IF:** R/C  
**Reset Value:** 0x00

BIT	NAME	FUNCTION
7:1	-	Reserved.
0	RAW_DATA_0_RDY_INT	1 – Sensor Register Raw Data, from all sensors, is updated and ready to be read.

**8.1.14 INT\_STATUS\_2**

**Name:** INT\_STATUS\_2  
**Address:** 27 (1Bh)  
**Type:** USR0  
**Bank:** 0  
**Serial IF:** R/C  
**Reset Value:** 0x00

BIT	NAME	FUNCTION
7:5	-	Reserved.
4:0	FIFO_OVERFLOW_INT[4:0]	1 – FIFO Overflow interrupt occurred.

**8.1.15 INT\_STATUS\_3**

**Name:** INT\_STATUS\_3  
**Address:** 28 (1Ch)  
**Type:** USR0  
**Bank:** 0  
**Serial IF:** R/C  
**Reset Value:** 0x00

BIT	NAME	FUNCTION
7:5	-	Reserved.
4:0	FIFO_WM_INT[4:0]	1 – Watermark interrupt for FIFO occurred.

**8.1.16 DELAY\_TIMEH**

**Name:** DELAY\_TIMEH  
**Address:** 40 (28h)  
**Type:** USR0  
**Bank:** 0  
**Serial IF:** R  
**Reset Value:** 0x00

BIT	NAME	FUNCTION
7:0	DELAY_TIMEH[7:0]	High-byte of delay time between FSYNC event and the 1st gyro ODR event (after the FSYNC event).  Reading DELAY_TIMEH will lock DELAY_TIMEH and DELAY_TIMEL from the next update. Reading DELAY_TIMEL will unlock DELAY_TIMEH and DELAY_TIMEL to take the next update due to an FSYNC event.

**8.1.17 DELAY\_TIMEL**

**Name:** DELAY\_TIMEL  
**Address:** 41 (29h)  
**Type:** USR0  
**Bank:** 0  
**Serial IF:** R  
**Reset Value:** 0x00

BIT	NAME	FUNCTION
7:0	DELAY_TIMEL[7:0]	<p>Low-byte of delay time between FSYNC event and the 1st gyro ODR event (after the FSYNC event).</p> <p>Reading DELAY_TIMEH will lock DELAY_TIMEH and DELAY_TIMEL from the next update. Reading DELAY_TIMEL will unlock DELAY_TIMEH and DELAY_TIMEL to take the next update due to an FSYNC event.</p> <p>Delay time in <math>\mu\text{s}</math> = (DELAY_TIMEH * 256 + DELAY_TIMEL) * 0.9645</p>

**8.1.18 ACCEL\_XOUT\_H**

**Name:** ACCEL\_XOUT\_H  
**Address:** 45 (2Dh)  
**Type:** USR0  
**Bank:** 0  
**Serial IF:** R  
**Reset Value:** 0x00

BIT	NAME	FUNCTION
7:0	ACCEL_XOUT_H[7:0]	High Byte of Accelerometer X-axis data.

**8.1.19 ACCEL\_XOUT\_L**

**Name:** ACCEL\_XOUT\_L  
**Address:** 46 (2Eh)  
**Type:** USR0  
**Bank:** 0  
**Serial IF:** R  
**Reset Value:** 0x00

BIT	NAME	FUNCTION
7:0	ACCEL_XOUT_L[7:0]	<p>Low Byte of Accelerometer X-axis data.</p> <p>To convert the output of the accelerometer to acceleration measurement use the formula below:  <math display="block">X\_acceleration = ACCEL\_XOUT / Accel\_Sensitivity</math></p>

**8.1.20 ACCEL\_YOUT\_H**

**Name:** ACCEL\_YOUT\_H  
**Address:** 47 (2Fh)  
**Type:** USR0  
**Bank:** 0  
**Serial IF:** R  
**Reset Value:** 0x00

BIT	NAME	FUNCTION
7:0	ACCEL_YOUT_H[7:0]	High Byte of Accelerometer Y-axis data.

### 8.1.21 ACCEL\_YOUT\_L

**Name:** ACCEL\_YOUT\_L  
**Address:** 48 (30h)  
**Type:** USR0  
**Bank:** 0  
**Serial IF:** R  
**Reset Value:** 0x00

BIT	NAME	FUNCTION
7:0	ACCEL_YOUT_L[7:0]	Low Byte of Accelerometer Y-axis data  To convert the output of the accelerometer to acceleration measurement use the formula below: $Y\_acceleration = ACCEL\_YOUT / Accel\_Sensitivity$

### 8.1.22 ACCEL\_ZOUT\_H

**Name:** ACCEL\_ZOUT\_H  
**Address:** 49 (31h)  
**Type:** USR0  
**Bank:** 0  
**Serial IF:** R  
**Reset Value:** 0x00

BIT	NAME	FUNCTION
7:0	ACCEL_ZOUT_H[7:0]	High Byte of Accelerometer Z-axis data.

### 8.1.23 ACCEL\_ZOUT\_L

**Name:** ACCEL\_ZOUT\_L  
**Address:** 50 (32h)  
**Type:** USR0  
**Bank:** 0  
**Serial IF:** R  
**Reset Value:** 0x00

BIT	NAME	FUNCTION
7:0	ACCEL_ZOUT_L[7:0]	Low Byte of Accelerometer Z-axis data.  To convert the output of the accelerometer to acceleration measurement use the formula below: $Z\_acceleration = ACCEL\_ZOUT / Accel\_Sensitivity$

### 8.1.24 GYRO\_XOUT\_H

**Name:** GYRO\_XOUT\_H  
**Address:** 51 (33h)  
**Type:** USR0  
**Bank:** 0  
**Serial IF:** R  
**Reset Value:** 0x00

BIT	NAME	FUNCTION
7:0	GYRO_XOUT_H[7:0]	High Byte of Gyroscope X-axis data.

**8.1.25 GYRO\_XOUT\_L**

**Name:** GYRO\_XOUT\_L  
**Address:** 52 (34h)  
**Type:** USR0  
**Bank:** 0  
**Serial IF:** R  
**Reset Value:** 0x00

BIT	NAME	FUNCTION
7:0	GYRO_XOUT_L[7:0]	Low Byte of Gyroscope X-axis data.  To convert the output of the gyroscope to angular rate measurement use the formula below: $X\_angular\_rate = GYRO\_XOUT / Gyro\_Sensitivity$

**8.1.26 GYRO\_YOUT\_H**

**Name:** GYRO\_YOUT\_H  
**Address:** 53 (35h)  
**Type:** USR0  
**Bank:** 0  
**Serial IF:** R  
**Reset Value:** 0x00

BIT	NAME	FUNCTION
7:0	GYRO_YOUT_H[7:0]	High Byte of Gyroscope Y-axis data.

**8.1.27 GYRO\_YOUT\_L**

**Name:** GYRO\_YOUT\_L  
**Address:** 54 (36h)  
**Type:** USR0  
**Bank:** 0  
**Serial IF:** R  
**Reset Value:** 0x00

BIT	NAME	FUNCTION
7:0	GYRO_YOUT_L[7:0]	Low Byte of Gyroscope Y-axis data.  To convert the output of the gyroscope to angular rate measurement use the formula below: $Y\_angular\_rate = GYRO\_YOUT / Gyro\_Sensitivity$

**8.1.28 GYRO\_ZOUT\_H**

**Name:** GYRO\_ZOUT\_H  
**Address:** 55 (37h)  
**Type:** USR0  
**Bank:** 0  
**Serial IF:** R  
**Reset Value:** 0x00

BIT	NAME	FUNCTION
7:0	GYRO_ZOUT_H[7:0]	High Byte of Gyroscope Z-axis data.

### 8.1.29 GYRO\_ZOUT\_L

**Name:** GYRO\_ZOUT\_L  
**Address:** 56 (38h)  
**Type:** USR0  
**Bank:** 0  
**Serial IF:** R  
**Reset Value:** 0x00

BIT	NAME	FUNCTION
7:0	GYRO_ZOUT_L[7:0]	Low Byte of Gyroscope Z-axis data.  To convert the output of the gyroscope to angular rate measurement use the formula below: $Z\_angular\_rate = GYRO\_ZOUT / Gyro\_Sensitivity$

### 8.1.30 TEMP\_OUT\_H

**Name:** TEMP\_OUT\_H  
**Address:** 57 (39h)  
**Type:** USR0  
**Bank:** 0  
**Serial IF:** R  
**Reset Value:** 0x00

BIT	NAME	FUNCTION
7:0	TEMP_OUT_H[7:0]	High Byte of Temp sensor data.

### 8.1.31 TEMP\_OUT\_L

**Name:** TEMP\_OUT\_L  
**Address:** 58 (3Ah)  
**Type:** USR0  
**Bank:** 0  
**Serial IF:** R  
**Reset Value:** 0x00

BIT	NAME	FUNCTION
7:0	TEMP_OUT_L[7:0]	Low Byte of Temp sensor data.  To convert the output of the temperature sensor to degrees C use the following formula: $TEMP\_degC = ((TEMP\_OUT - RoomTemp\_Offset) / Temp\_Sensitivity) + 21degC$

### 8.1.32 EXT\_SLV\_SENS\_DATA\_00

**Name:** EXT\_SLV\_SENS\_DATA\_00  
**Address:** 59 (3Bh)  
**Type:** USR0  
**Bank:** 0  
**Serial IF:** R  
**Reset Value:** 0x00

BIT	NAME	FUNCTION
7:0	EXT_SLV_SENS_DATA_00[7:0]	Sensor data read from external I <sup>2</sup> C devices via the I <sup>2</sup> C master interface. The data stored is controlled by the I2C_SLV(0-4)_ADDR, I2C_SLV(0-4)_REG, and I2C_SLV(0-4)_CTRL registers.

### 8.1.33 EXT\_SLV\_SENS\_DATA\_01

**Name:** EXT\_SLV\_SENS\_DATA\_01  
**Address:** 60 (3Ch)  
**Type:** USR0  
**Bank:** 0  
**Serial IF:** R  
**Reset Value:** 0x00

BIT	NAME	FUNCTION
7:0	EXT_SLV_SENS_DATA_01[7:0]	Sensor data read from external I <sup>2</sup> C devices via the I <sup>2</sup> C master interface. The data stored is controlled by the I2C_SLV(0-4)_ADDR, I2C_SLV(0-4)_REG, and I2C_SLV(0-4)_CTRL registers.

### 8.1.34 EXT\_SLV\_SENS\_DATA\_02

**Name:** EXT\_SLV\_SENS\_DATA\_02  
**Address:** 61 (3Dh)  
**Type:** USR0  
**Bank:** 0  
**Serial IF:** R  
**Reset Value:** 0x00

BIT	NAME	FUNCTION
7:0	EXT_SLV_SENS_DATA_02[7:0]	Sensor data read from external I <sup>2</sup> C devices via the I <sup>2</sup> C master interface. The data stored is controlled by the I2C_SLV(0-4)_ADDR, I2C_SLV(0-4)_REG, and I2C_SLV(0-4)_CTRL registers.

### 8.1.35 EXT\_SLV\_SENS\_DATA\_03

**Name:** EXT\_SLV\_SENS\_DATA\_03  
**Address:** 62 (3Eh)  
**Type:** USR0  
**Bank:** 0  
**Serial IF:** R  
**Reset Value:** 0x00

BIT	NAME	FUNCTION
7:0	EXT_SLV_SENS_DATA_03[7:0]	Sensor data read from external I <sup>2</sup> C devices via the I <sup>2</sup> C master interface. The data stored is controlled by the I2C_SLV(0-4)_ADDR, I2C_SLV(0-4)_REG, and I2C_SLV(0-4)_CTRL registers.

### 8.1.36 EXT\_SLV\_SENS\_DATA\_04

**Name:** EXT\_SLV\_SENS\_DATA\_04  
**Address:** 63 (3Fh)  
**Type:** USR0  
**Bank:** 0  
**Serial IF:** R  
**Reset Value:** 0x00

BIT	NAME	FUNCTION
7:0	EXT_SLV_SENS_DATA_04[7:0]	Sensor data read from external I <sup>2</sup> C devices via the I <sup>2</sup> C master interface. The data stored is controlled by the I2C_SLV(0-4)_ADDR, I2C_SLV(0-4)_REG, and I2C_SLV(0-4)_CTRL registers.



**8.1.37 EXT\_SLV\_SENS\_DATA\_05**

**Name:** EXT\_SLV\_SENS\_DATA\_05  
**Address:** 64 (40h)  
**Type:** USR0  
**Bank:** 0  
**Serial IF:** R  
**Reset Value:** 0x00

BIT	NAME	FUNCTION
7:0	EXT_SLV_SENS_DATA_05[7:0]	Sensor data read from external I <sup>2</sup> C devices via the I <sup>2</sup> C master interface. The data stored is controlled by the I2C_SLV(0-4)_ADDR, I2C_SLV(0-4)_REG, and I2C_SLV(0-4)_CTRL registers.

**8.1.38 EXT\_SLV\_SENS\_DATA\_06**

**Name:** EXT\_SLV\_SENS\_DATA\_06  
**Address:** 65 (41h)  
**Type:** USR0  
**Bank:** 0  
**Serial IF:** R  
**Reset Value:** 0x00

BIT	NAME	FUNCTION
7:0	EXT_SLV_SENS_DATA_06[7:0]	Sensor data read from external I <sup>2</sup> C devices via the I <sup>2</sup> C master interface. The data stored is controlled by the I2C_SLV(0-4)_ADDR, I2C_SLV(0-4)_REG, and I2C_SLV(0-4)_CTRL registers.

**8.1.39 EXT\_SLV\_SENS\_DATA\_07**

**Name:** EXT\_SLV\_SENS\_DATA\_07  
**Address:** 66 (42h)  
**Type:** USR0  
**Bank:** 0  
**Serial IF:** R  
**Reset Value:** 0x00

BIT	NAME	FUNCTION
7:0	EXT_SLV_SENS_DATA_07[7:0]	Sensor data read from external I <sup>2</sup> C devices via the I <sup>2</sup> C master interface. The data stored is controlled by the I2C_SLV(0-4)_ADDR, I2C_SLV(0-4)_REG, and I2C_SLV(0-4)_CTRL registers.

**8.1.40 EXT\_SLV\_SENS\_DATA\_08**

**Name:** EXT\_SLV\_SENS\_DATA\_08  
**Address:** 67 (43h)  
**Type:** USR0  
**Bank:** 0  
**Serial IF:** R  
**Reset Value:** 0x00

BIT	NAME	FUNCTION
7:0	EXT_SLV_SENS_DATA_08[7:0]	Sensor data read from external I <sup>2</sup> C devices via the I <sup>2</sup> C master interface. The data stored is controlled by the I2C_SLV(0-4)_ADDR, I2C_SLV(0-4)_REG, and I2C_SLV(0-4)_CTRL registers.

**8.1.41 EXT\_SLV\_SENS\_DATA\_09**

**Name:** EXT\_SLV\_SENS\_DATA\_09  
**Address:** 68 (44h)  
**Type:** USR0  
**Bank:** 0  
**Serial IF:** R  
**Reset Value:** 0x00

BIT	NAME	FUNCTION
7:0	EXT_SLV_SENS_DATA_09[7:0]	Sensor data read from external I <sup>2</sup> C devices via the I <sup>2</sup> C master interface. The data stored is controlled by the I2C_SLV(0-4)_ADDR, I2C_SLV(0-4)_REG, and I2C_SLV(0-4)_CTRL registers.

**8.1.42 EXT\_SLV\_SENS\_DATA\_10**

**Name:** EXT\_SLV\_SENS\_DATA\_10  
**Address:** 69 (45h)  
**Type:** USR0  
**Bank:** 0  
**Serial IF:** R  
**Reset Value:** 0x00

BIT	NAME	FUNCTION
7:0	EXT_SLV_SENS_DATA_10[7:0]	Sensor data read from external I <sup>2</sup> C devices via the I <sup>2</sup> C master interface. The data stored is controlled by the I2C_SLV(0-4)_ADDR, I2C_SLV(0-4)_REG, and I2C_SLV(0-4)_CTRL registers.

**8.1.43 EXT\_SLV\_SENS\_DATA\_11**

**Name:** EXT\_SLV\_SENS\_DATA\_11  
**Address:** 70 (46h)  
**Type:** USR0  
**Bank:** 0  
**Serial IF:** R  
**Reset Value:** 0x00

BIT	NAME	FUNCTION
7:0	EXT_SLV_SENS_DATA_11[7:0]	Sensor data read from external I <sup>2</sup> C devices via the I <sup>2</sup> C master interface. The data stored is controlled by the I2C_SLV(0-4)_ADDR, I2C_SLV(0-4)_REG, and I2C_SLV(0-4)_CTRL registers.

**8.1.44 EXT\_SLV\_SENS\_DATA\_12**

**Name:** EXT\_SLV\_SENS\_DATA\_12  
**Address:** 71 (47h)  
**Type:** USR0  
**Bank:** 0  
**Serial IF:** R  
**Reset Value:** 0x00

BIT	NAME	FUNCTION
7:0	EXT_SLV_SENS_DATA_12[7:0]	Sensor data read from external I <sup>2</sup> C devices via the I <sup>2</sup> C master interface. The data stored is controlled by the I2C_SLV(0-4)_ADDR, I2C_SLV(0-4)_REG, and I2C_SLV(0-4)_CTRL registers.

#### 8.1.45 EXT\_SLV\_SENS\_DATA\_13

**Name:** EXT\_SLV\_SENS\_DATA\_13

**Address:** 72 (48h)

**Type:** USR0

**Bank:** 0

**Serial IF:** R

**Reset Value:** 0x00

BIT	NAME	FUNCTION
7:0	EXT_SLV_SENS_DATA_13[7:0]	Sensor data read from external I <sup>2</sup> C devices via the I <sup>2</sup> C master interface. The data stored is controlled by the I2C_SLV(0-4)_ADDR, I2C_SLV(0-4)_REG, and I2C_SLV(0-4)_CTRL registers.

#### 8.1.46 EXT\_SLV\_SENS\_DATA\_14

**Name:** EXT\_SLV\_SENS\_DATA\_14

**Address:** 73 (49h)

**Type:** USR0

**Bank:** 0

**Serial IF:** R

**Reset Value:** 0x00

BIT	NAME	FUNCTION
7:0	EXT_SLV_SENS_DATA_14[7:0]	Sensor data read from external I <sup>2</sup> C devices via the I <sup>2</sup> C master interface. The data stored is controlled by the I2C_SLV(0-4)_ADDR, I2C_SLV(0-4)_REG, and I2C_SLV(0-4)_CTRL registers.

#### 8.1.47 EXT\_SLV\_SENS\_DATA\_15

**Name:** EXT\_SLV\_SENS\_DATA\_15

**Address:** 74 (4Ah)

**Type:** USR0

**Bank:** 0

**Serial IF:** R

**Reset Value:** 0x00

BIT	NAME	FUNCTION
7:0	EXT_SLV_SENS_DATA_15[7:0]	Sensor data read from external I <sup>2</sup> C devices via the I <sup>2</sup> C master interface. The data stored is controlled by the I2C_SLV(0-4)_ADDR, I2C_SLV(0-4)_REG, and I2C_SLV(0-4)_CTRL registers.

#### 8.1.48 EXT\_SLV\_SENS\_DATA\_16

**Name:** EXT\_SLV\_SENS\_DATA\_16

**Address:** 75 (4Bh)

**Type:** USR0

**Bank:** 0

**Serial IF:** R

**Reset Value:** 0x00

BIT	NAME	FUNCTION
7:0	EXT_SLV_SENS_DATA_16[7:0]	Sensor data read from external I <sup>2</sup> C devices via the I <sup>2</sup> C master interface. The data stored is controlled by the I2C_SLV(0-4)_ADDR, I2C_SLV(0-4)_REG, and I2C_SLV(0-4)_CTRL registers.

**8.1.49 EXT\_SLV\_SENS\_DATA\_17**

**Name:** EXT\_SLV\_SENS\_DATA\_17  
**Address:** 76 (4Ch)  
**Type:** USR0  
**Bank:** 0  
**Serial IF:** R  
**Reset Value:** 0x00

BIT	NAME	FUNCTION
7:0	EXT_SLV_SENS_DATA_17[7:0]	Sensor data read from external I <sup>2</sup> C devices via the I <sup>2</sup> C master interface. The data stored is controlled by the I2C_SLV(0-4)_ADDR, I2C_SLV(0-4)_REG, and I2C_SLV(0-4)_CTRL registers.

**8.1.50 EXT\_SLV\_SENS\_DATA\_18**

**Name:** EXT\_SLV\_SENS\_DATA\_18  
**Address:** 77 (4Dh)  
**Type:** USR0  
**Bank:** 0  
**Serial IF:** R  
**Reset Value:** 0x00

BIT	NAME	FUNCTION
7:0	EXT_SLV_SENS_DATA_18[7:0]	Sensor data read from external I <sup>2</sup> C devices via the I <sup>2</sup> C master interface. The data stored is controlled by the I2C_SLV(0-4)_ADDR, I2C_SLV(0-4)_REG, and I2C_SLV(0-4)_CTRL registers.

**8.1.51 EXT\_SLV\_SENS\_DATA\_19**

**Name:** EXT\_SLV\_SENS\_DATA\_19  
**Address:** 78 (4Eh)  
**Type:** USR0  
**Bank:** 0  
**Serial IF:** R  
**Reset Value:** 0x00

BIT	NAME	FUNCTION
7:0	EXT_SLV_SENS_DATA_19[7:0]	Sensor data read from external I <sup>2</sup> C devices via the I <sup>2</sup> C master interface. The data stored is controlled by the I2C_SLV(0-4)_ADDR, I2C_SLV(0-4)_REG, and I2C_SLV(0-4)_CTRL registers.

**8.1.52 EXT\_SLV\_SENS\_DATA\_20**

**Name:** EXT\_SLV\_SENS\_DATA\_20  
**Address:** 79 (4Fh)  
**Type:** USR0  
**Bank:** 0  
**Serial IF:** R  
**Reset Value:** 0x00

BIT	NAME	FUNCTION
7:0	EXT_SLV_SENS_DATA_20[7:0]	Sensor data read from external I <sup>2</sup> C devices via the I <sup>2</sup> C master interface. The data stored is controlled by the I2C_SLV(0-4)_ADDR, I2C_SLV(0-4)_REG, and I2C_SLV(0-4)_CTRL registers.

**8.1.53 EXT\_SLV\_SENS\_DATA\_21**

**Name:** EXT\_SLV\_SENS\_DATA\_21  
**Address:** 80 (50h)  
**Type:** USR0  
**Bank:** 0  
**Serial IF:** R  
**Reset Value:** 0x00

BIT	NAME	FUNCTION
7:0	EXT_SLV_SENS_DATA_21[7:0]	Sensor data read from external I <sup>2</sup> C devices via the I <sup>2</sup> C master interface. The data stored is controlled by the I2C_SLV(0-4)_ADDR, I2C_SLV(0-4)_REG, and I2C_SLV(0-4)_CTRL registers.

**8.1.54 EXT\_SLV\_SENS\_DATA\_22**

**Name:** EXT\_SLV\_SENS\_DATA\_22  
**Address:** 81 (51h)  
**Type:** USR0  
**Bank:** 0  
**Serial IF:** R  
**Reset Value:** 0x00

BIT	NAME	FUNCTION
7:0	EXT_SLV_SENS_DATA_22[7:0]	Sensor data read from external I <sup>2</sup> C devices via the I <sup>2</sup> C master interface. The data stored is controlled by the I2C_SLV(0-4)_ADDR, I2C_SLV(0-4)_REG, and I2C_SLV(0-4)_CTRL registers.

**8.1.55 EXT\_SLV\_SENS\_DATA\_23**

**Name:** EXT\_SLV\_SENS\_DATA\_23  
**Address:** 82 (52h)  
**Type:** USR0  
**Bank:** 0  
**Serial IF:** R  
**Reset Value:** 0x00

BIT	NAME	FUNCTION
7:0	EXT_SLV_SENS_DATA_23[7:0]	Sensor data read from external I <sup>2</sup> C devices via the I <sup>2</sup> C master interface. The data stored is controlled by the I2C_SLV(0-4)_ADDR, I2C_SLV(0-4)_REG, and I2C_SLV(0-4)_CTRL registers.

**8.1.56 FIFO\_EN\_1**

**Name:** FIFO\_EN\_1  
**Address:** 102 (66h)  
**Type:** USR0  
**Bank:** 0  
**Serial IF:** R/W  
**Reset Value:** 0x00

BIT	NAME	FUNCTION
7:4	-	Reserved.
3	SLV_3_FIFO_EN	1 – Write EXT_SENS_DATA registers associated to SLV_3 (as determined by I2C_SLV2_CTRL, I2C_SLV1_CTRL, and I2C_SL20_CTRL) to the FIFO at the sample rate. 0 – Function is disabled.
2	SLV_2_FIFO_EN	1 – Write EXT_SENS_DATA registers associated to SLV_2 (as determined by I2C_SLV0_CTRL, I2C_SLV1_CTRL, and I2C_SL20_CTRL) to the FIFO at the sample rate. 0 – Function is disabled.
1	SLV_1_FIFO_EN	1 – Write EXT_SENS_DATA registers associated to SLV_1 (as determined by I2C_SLV0_CTRL and I2C_SLV1_CTRL) to the FIFO at the sample rate. 0 – Function is disabled.
0	SLV_0_FIFO_EN	1 – Write EXT_SENS_DATA registers associated to SLV_0 (as determined by I2C_SLV0_CTRL) to the FIFO at the sample rate. 0 – Function is disabled.

**8.1.57 FIFO\_EN\_2**

**Name:** FIFO\_EN\_2  
**Address:** 103 (67h)  
**Type:** USR0  
**Bank:** 0  
**Serial IF:** R/W  
**Reset Value:** 0x00

BIT	NAME	FUNCTION
7:5	-	Reserved.
4	ACCEL_FIFO_EN	1 – Write ACCEL_XOUT_H, ACCEL_XOUT_L, ACCEL_YOUT_H, ACCEL_YOUT_L, ACCEL_ZOUT_H, and ACCEL_ZOUT_L to the FIFO at the sample rate. 0 – Function is disabled.
3	GYRO_Z_FIFO_EN	1 – Write GYRO_ZOUT_H and GYRO_ZOUT_L to the FIFO at the sample rate. 0 – Function is disabled.
2	GYRO_Y_FIFO_EN	1 – Write GYRO_YOUT_H and GYRO_YOUT_L to the FIFO at the sample rate. 0 – Function is disabled.
1	GYRO_X_FIFO_EN	1 – Write GYRO_XOUT_H and GYRO_XOUT_L to the FIFO at the sample rate. 0 – Function is disabled.
0	TEMP_FIFO_EN	1 – Write TEMP_OUT_H and TEMP_OUT_L to the FIFO at the sample rate. 0 – Function is disabled.

**8.1.58 FIFO\_RST**

**Name:** FIFO\_RST  
**Address:** 104 (68h)  
**Type:** USR0  
**Bank:** 0  
**Serial IF:** R/W  
**Reset Value:** 0x00

BIT	NAME	FUNCTION
7:5	-	Reserved.
4:0	FIFO_RESET[4:0]	S/W FIFO reset. Assert and hold to set FIFO size to 0. Assert and de-assert to reset FIFO.

**8.1.59 FIFO\_MODE**

**Name:** FIFO\_MODE  
**Address:** 105 (69h)  
**Type:** USR0  
**Bank:** 0  
**Serial IF:** R/W  
**Reset Value:** 0x00

BIT	NAME	FUNCTION
7:5	-	Reserved.
4:0	FIFO_MODE[4:0]	0 - Stream 1 - Snapshot When set to '1', when the FIFO is full, additional writes will not be written to FIFO. When set to '0', when the FIFO is full, additional writes will be written to the FIFO, replacing the oldest data.

**8.1.60 FIFO\_COUNTH**

**Name:** FIFO\_COUNTH  
**Address:** 112 (70h)  
**Type:** USR0  
**Bank:** 0  
**Serial IF:** R  
**Reset Value:** 0x00

BIT	NAME	FUNCTION
7:5	-	Reserved.
4:0	FIFO_CNT[12:8]	High Bits, count indicates the number of written bytes in the FIFO. Reading this byte latches the data for both FIFO_COUNTH, and FIFO_COUNTL.

**8.1.61 FIFO\_COUNTL**

**Name:** FIFO\_COUNTL  
**Address:** 113 (71h)  
**Type:** USR0  
**Bank:** 0  
**Serial IF:** R  
**Reset Value:** 0x00

BIT	NAME	FUNCTION
7:0	FIFO_CNT[7:0]	Low bits, count indicates the number of written bytes in the FIFO.

### 8.1.62 FIFO\_R\_W

**Name:** FIFO\_R\_W  
**Address:** 114 (72h)  
**Type:** USR0  
**Bank:** 0  
**Serial IF:** R/W  
**Reset Value:** 0x00

BIT	NAME	FUNCTION
7:0	FIFO_R_W[7:0]	Reading from or writing to this register actually reads/writes the FIFO. For example, to write a byte to the FIFO, write the desired byte value to FIFO_R_W[7:0]. To read a byte from the FIFO, perform a register read operation and access the result in FIFO_R_W[7:0].

### 8.1.63 DATA\_RDY\_STATUS

**Name:** DATA\_RDY\_STATUS  
**Address:** 116 (74h)  
**Type:** USR0  
**Bank:** 0  
**Serial IF:** R/C  
**Reset Value:** 0x00

BIT	NAME	FUNCTION
7	WOF_STATUS	Wake on FSYNC interrupt status. Cleared on read.
6:4	-	Reserved.
3:0	RAW_DATA_RDY[3:0]	Data from sensors is copied to FIFO or SRAM. Set when sequence controller kicks off on a sensor data load. Only bit 0 is relevant in a single FIFO configuration. Cleared on read.

### 8.1.64 FIFO\_CFG

**Name:** FIFO\_CFG  
**Address:** 118 (76h)  
**Type:** USR0  
**Bank:** 0  
**Serial IF:** R/W  
**Reset Value:** 0x00

BIT	NAME	FUNCTION
7:1	-	Reserved.
0	FIFO_CFG	This bit should be set to 1 if interrupt status for each sensor is required.

### 8.1.65 REG\_BANK\_SEL

**Name:** REG\_BANK\_SEL  
**Address:** 127 (7Fh)  
**Type:** ALL  
**Bank:** 0  
**Serial IF:** R/W  
**Reset Value:** 0x00

BIT	NAME	FUNCTION
7:6	-	Reserved.
5:4	USER_BANK[1:0]	Use the following values in this bit-field to select a USER BANK. 0: Select USER BANK 0 1: Select USER BANK 1 2: Select USER BANK 2 3: Select USER BANK 3
3:0	-	Reserved.



## 8.2 USR BANK 1 REGISTER MAP

### 8.2.1 SELF\_TEST\_X\_GYRO

**Name:** SELF\_TEST\_X\_GYRO

**Address:** 2 (02h)

**Type:** USR1

**Bank:** 1

**Serial IF:** R/W

**Reset Value:** 0x00

BIT	NAME	FUNCTION
7:0	XG_ST_DATA[7:0]	The value in this register indicates the self-test output generated during manufacturing tests. This value is to be used to check against subsequent self-test outputs performed by the end user.

### 8.2.2 SELF\_TEST\_Y\_GYRO

**Name:** SELF\_TEST\_Y\_GYRO

**Address:** 3 (03h)

**Type:** USR1

**Bank:** 1

**Serial IF:** R/W

**Reset Value:** 0x00

BIT	NAME	FUNCTION
7:0	YG_ST_DATA[7:0]	The value in this register indicates the self-test output generated during manufacturing tests. This value is to be used to check against subsequent self-test outputs performed by the end user.

### 8.2.3 SELF\_TEST\_Z\_GYRO

**Name:** SELF\_TEST\_Z\_GYRO

**Address:** 4 (04h)

**Type:** USR1

**Bank:** 1

**Serial IF:** R/W

**Reset Value:** 0x00

BIT	NAME	FUNCTION
7:0	ZG_ST_DATA[7:0]	The value in this register indicates the self-test output generated during manufacturing tests. This value is to be used to check against subsequent self-test outputs performed by the end user.

### 8.2.4 SELF\_TEST\_X\_ACCEL

**Name:** SELF\_TEST\_X\_ACCEL

**Address:** 14 (0Eh)

**Type:** USR1

**Bank:** 1

**Serial IF:** R/W

**Reset Value:** 0x00

BIT	NAME	FUNCTION
7:0	XA_ST_DATA[7:0]	Contains self-test data for the X Accelerometer.

### 8.2.5 SELF\_TEST\_Y\_ACCEL

**Name:** SELF\_TEST\_Y\_ACCEL  
**Address:** 15 (0Fh)  
**Type:** USR1  
**Bank:** 1  
**Serial IF:** R/W  
**Reset Value:** 0x00

BIT	NAME	FUNCTION
7:0	YA_ST_DATA[7:0]	Contains self-test data for the Y Accelerometer.

### 8.2.6 SELF\_TEST\_Z\_ACCEL

**Name:** SELF\_TEST\_Z\_ACCEL  
**Address:** 16 (10h)  
**Type:** USR1  
**Bank:** 1  
**Serial IF:** R/W  
**Reset Value:** 0x00

BIT	NAME	FUNCTION
7:0	ZA_ST_DATA[7:0]	Contains self-test data for the Z Accelerometer.

### 8.2.7 XA\_OFFS\_H

**Name:** XA\_OFFS\_H  
**Address:** 20 (14h)  
**Type:** USR1  
**Bank:** 1  
**Serial IF:** R/W  
**Reset Value:** Trimmed on a per-part basis for optimal performance

BIT	NAME	FUNCTION
7:0	XA_OFFS[14:7]	Upper bits of the X accelerometer offset cancellation.

### 8.2.8 XA\_OFFS\_L

**Name:** XA\_OFFS\_L  
**Address:** 21 (15h)  
**Type:** USR1  
**Bank:** 1  
**Serial IF:** R/W  
**Reset Value:** Trimmed on a per-part basis for optimal performance

BIT	NAME	FUNCTION
7:1	XA_OFFS[6:0]	Lower bits of the X accelerometer offset cancellation.
0	-	Reserved.

### 8.2.9 YA\_OFFS\_H

**Name:** YA\_OFFS\_H  
**Address:** 23 (17h)  
**Type:** USR1  
**Bank:** 1  
**Serial IF:** R/W  
**Reset Value:** Trimmed on a per-part basis for optimal performance

BIT	NAME	FUNCTION
7:0	YA_OFFS[14:7]	Upper bits of the Y accelerometer offset cancellation.

### 8.2.10 YA\_OFFS\_L

**Name:** YA\_OFFS\_L  
**Address:** 24 (18h)  
**Type:** USR1  
**Bank:** 1  
**Serial IF:** R/W  
**Reset Value:** Trimmed on a per-part basis for optimal performance

BIT	NAME	FUNCTION
7:1	YA_OFFS[6:0]	Lower bits of the Y accelerometer offset cancellation.
0	-	Reserved.

### 8.2.11 ZA\_OFFS\_H

**Name:** ZA\_OFFS\_H  
**Address:** 26 (1Ah)  
**Type:** USR1  
**Bank:** 1  
**Serial IF:** R/W  
**Reset Value:** Trimmed on a per-part basis for optimal performance

BIT	NAME	FUNCTION
7:0	ZA_OFFS[14:7]	Upper bits of the Z accelerometer offset cancellation.

### 8.2.12 ZA\_OFFS\_L

**Name:** ZA\_OFFS\_L  
**Address:** 27 (1Bh)  
**Type:** USR1  
**Bank:** 1  
**Serial IF:** R/W  
**Reset Value:** Trimmed on a per-part basis for optimal performance

BIT	NAME	FUNCTION
7:1	ZA_OFFS[6:0]	Lower bits of the Z accelerometer offset cancellation.
0	-	Reserved.

### 8.2.13 TIMEBASE\_CORRECTION\_PLL

**Name:** TIMEBASE\_CORRECTION\_PLL  
**Address:** 40 (28h)  
**Type:** USR1  
**Bank:** 1  
**Serial IF:** R/W  
**Reset Value:** 0x00

BIT	NAME	FUNCTION
7:0	TBC_PLL[7:0]	System PLL clock period error (signed, [-10%, +10%]).

**8.2.14 REG\_BANK\_SEL**

**Name:** REG\_BANK\_SEL

**Address:** 127 (7Fh)

**Type:**

**Bank:** 1

**Serial IF:** R/W

**Reset Value:** 0x00

BIT	NAME	FUNCTION
7:6	-	Reserved.
5:4	USER_BANK[1:0]	Use the following values in this bit-field to select a USER BANK 0: Select USER BANK 0 1: Select USER BANK 1 2: Select USER BANK 2 3: Select USER BANK 3
3:0	-	Reserved.

### 8.3 USR BANK 2 REGISTER MAP

#### 8.3.1 GYRO\_SMPLRT\_DIV

**Name:** GYRO\_SMPLRT\_DIV

**Address:** 0 (00h)

**Type:** USR2

**Bank:** 2

**Serial IF:** R/W

**Reset Value:** 0x00

BIT	NAME	FUNCTION
7:0	GYRO_SMPLRT_DIV[7:0]	Gyro sample rate divider. Divides the internal sample rate to generate the sample rate that controls sensor data output rate, FIFO sample rate, and DMP sequence rate. <b>Note:</b> This register is only effective when FCHOICE = 1'b1 (FCHOICE_B register bit is 1'b0), and (0 < DLPF_CFG < 7). ODR is computed as follows: 1.1 kHz/(1+GYRO_SMPLRT_DIV[7:0])

#### 8.3.2 GYRO\_CONFIG\_1

**Name:** GYRO\_CONFIG\_1

**Address:** 1 (01h)

**Type:** USR2

**Bank:** 2

**Serial IF:** R/W

**Reset Value:** 0x01

BIT	NAME	FUNCTION
7:6	-	Reserved.
5:3	GYRO_DLPFCFG[2:0]	Gyro low pass filter configuration as shown in Table 15.
2:1	GYRO_FS_SEL[1:0]	Gyro Full Scale Select: 00 = ±500 dps 01 = ±1000 dps 10 = ±2000 dps 11 = ±4000 dps
0	GYRO_FCHOICE	0 – Bypass gyro DLPF. 1 – Enable gyro DLPF.

The gyroscope DLPF is configured by GYRO\_DLPFCFG, when GYRO\_FCHOICE = 1. The gyroscope data is filtered according to the value of GYRO\_DLPFCFG and GYRO\_FCHOICE as shown in Table 15.

GYRO_FCHOICE	GYRO_DLPFCFG	Output		
		3dB BW [Hz]	NBW [Hz]	Rate [Hz]
0	x	12106	12316	9000
1	0	196.6	229.8	1125/(1+GYRO_SMPLRT_DIV)Hz where GYRO_SMPLRT_DIV is 0, 1, 2,...255
1	1	151.8	187.6	1125/(1+GYRO_SMPLRT_DIV)Hz where GYRO_SMPLRT_DIV is 0, 1, 2,...255
1	2	119.5	154.3	1125/(1+GYRO_SMPLRT_DIV)Hz where GYRO_SMPLRT_DIV is 0, 1, 2,...255
1	3	51.2	73.3	1125/(1+GYRO_SMPLRT_DIV)Hz where GYRO_SMPLRT_DIV is 0, 1, 2,...255
1	4	23.9	35.9	1125/(1+GYRO_SMPLRT_DIV)Hz where GYRO_SMPLRT_DIV is 0, 1, 2,...255
1	5	11.6	17.8	1125/(1+GYRO_SMPLRT_DIV)Hz where GYRO_SMPLRT_DIV is 0, 1, 2,...255
1	6	5.7	8.9	1125/(1+GYRO_SMPLRT_DIV)Hz where GYRO_SMPLRT_DIV is 0, 1, 2,...255
1	7	361.4	376.5	1125/(1+GYRO_SMPLRT_DIV)Hz where GYRO_SMPLRT_DIV is 0, 1, 2,...255

**Table 15. Configuration**

### 8.3.3 GYRO\_CONFIG\_2

**Name:** GYRO\_CONFIG\_2

**Address:** 2 (02h)

**Type:** USR2

**Bank:** 2

**Serial IF:** R/W

**Reset Value:** 0x00

BIT	NAME	FUNCTION
7:6	-	Reserved.
5	XGYRO_CTEN	X Gyro self-test enable.
4	YGYRO_CTEN	Y Gyro self-test enable.
3	ZGYRO_CTEN	Z Gyro self-test enable.
2:0	GYRO_AVGCFG[2:0]	Averaging filter configuration settings for low-power mode. 0: 1x averaging 1: 2x averaging 2: 4x averaging 3: 8x averaging 4: 16x averaging 5: 32x averaging 6: 64x averaging 7: 128x averaging

Table 16 lists the gyroscope filter bandwidths available in the low-power mode of operation. In the low-power mode of operation, the gyroscope is duty-cycled.

GYRO_SmplRT_DIV	Averages	1x	2x	4x	8x	16x	32x	64x	128x
	GYRO_FCHOICE	1	1	1	1	1	1	1	1
	GYRO_AVGCFG	0	1	2	3	4	5	6	7
	Ton [ms]	1.15	1.59	2.48	4.26	7.82	14.93	29.15	57.59
	NBW [Hz]	773.5	469.8	257.8	134.8	68.9	34.8	17.5	8.8
	RMS Noise [dps-rms] TYP (based on gyroscope noise: 0.0175dps/ $\sqrt{\text{Hz}}$ )	0.49	0.38	0.28	0.20	0.15	0.10	0.07	0.05
	ODR [Hz]	Current Consumption [mA] TYP							
255	4.4	1.04	1.05	1.05	1.06	1.09	1.14	1.24	1.45
64	17.3	1.07	1.08	1.10	1.15	1.25	1.45	1.85	N/A
63	17.6	1.07	1.08	1.11	1.16	1.26	1.46	1.87	
32	34.1	1.10	1.12	1.17	1.27	1.47	1.86	N/A	
31	35.2	1.10	1.13	1.18	1.28	1.48	1.89		
22	48.9	1.13	1.16	1.23	1.37	1.66	2.22		
16	66.2	1.16	1.21	1.30	1.49	1.88	N/A		
15	70.3	1.17	1.22	1.32	1.52	1.93			
10	102.3	1.23	1.30	1.45	1.74	2.34			
8	125.0	1.27	1.36	1.54	1.90	N/A			
7	140.6	1.30	1.40	1.60	2.01				
5	187.5	1.38	1.52	1.79	2.33				
4	225.0	1.45	1.62	1.94	N/A				
3	281.3	1.56	1.76	2.17					
2	375.0	1.74	2.00	N/A					
1	562.5	2.09	N/A						

**Table 16. Gyroscope Filter Bandwidths (Low-Power Mode)**

**Note:** Ton is the ON time for motion measurement when the gyroscope is in duty cycle mode.

### 8.3.4 XG\_OFFS\_USRH

**Name:** XG\_OFFS\_USRH

**Address:** 3 (03h)

**Type:** USR2

**Bank:** 2

**Serial IF:** R/W

**Reset Value:** 0x00

BIT	NAME	FUNCTION
7:0	X_OFFS_USER[15:8]	Upper byte of X gyro offset cancellation.

### 8.3.5 XG\_OFFS\_USRL

**Name:** XG\_OFFS\_USRL  
**Address:** 4 (04h)  
**Type:** USR2  
**Bank:** 2  
**Serial IF:** R/W  
**Reset Value:** 0x00

BIT	NAME	FUNCTION
7:0	X_OFFS_USER[7:0]	Lower byte of X gyro offset cancellation.

### 8.3.6 YG\_OFFS\_USRH

**Name:** YG\_OFFS\_USRH  
**Address:** 5 (05h)  
**Type:** USR2  
**Bank:** 2  
**Serial IF:** R/W  
**Reset Value:** 0x00

BIT	NAME	FUNCTION
7:0	Y_OFFS_USER[15:8]	Upper byte of Y gyro offset cancellation.

### 8.3.7 YG\_OFFS\_USRL

**Name:** YG\_OFFS\_USRL  
**Address:** 6 (06h)  
**Type:** USR2  
**Bank:** 2  
**Serial IF:** R/W  
**Reset Value:** 0x00

BIT	NAME	FUNCTION
7:0	Y_OFFS_USER[7:0]	Lower byte of Y gyro offset cancellation.

### 8.3.8 ZG\_OFFS\_USRH

**Name:** ZG\_OFFS\_USRH  
**Address:** 7 (07h)  
**Type:** USR2  
**Bank:** 2  
**Serial IF:** R/W  
**Reset Value:** 0x00

BIT	NAME	FUNCTION
7:0	Z_OFFS_USER[15:8]	Upper byte of Z gyro offset cancellation.

### 8.3.9 ZG\_OFFS\_USRL

**Name:** ZG\_OFFS\_USRL  
**Address:** 8 (08h)  
**Type:** USR2  
**Bank:** 2  
**Serial IF:** R/W  
**Reset Value:** 0x00

BIT	NAME	FUNCTION
7:0	Z_OFFS_USER[7:0]	Lower byte of Z gyro offset cancellation.



### 8.3.10 ODR\_ALIGN\_EN

**Name:** ODR\_ALIGN\_EN  
**Address:** 9 (09h)  
**Type:** USR2  
**Bank:** 2  
**OTP:** No  
**Serial IF:** R/W  
**Reset Value:** 0x00

BIT	NAME	FUNCTION
7:1	-	Reserved.
0	ODR_ALIGN_EN	0: Disables ODR start-time alignment. 1: Enables ODR start-time alignment when any of the following registers is written (with the same value or with different values): GYRO_SMPLRT_DIV, ACCEL_SMPLRT_DIV_1, ACCEL_SMPLRT_DIV_2, I2C_MST_ODR_CONFIG

### 8.3.11 ACCEL\_SMPLRT\_DIV\_1

**Name:** ACCEL\_SMPLRT\_DIV\_1  
**Address:** 16 (10h)  
**Type:** USR2  
**Bank:** 2  
**Serial IF:** R/W  
**Reset Value:** 0x00

BIT	NAME	FUNCTION
7:4	-	Reserved.
3:0	ACCEL_SMPLRT_DIV[11:8]	MSB for ACCEL sample rate div.

### 8.3.12 ACCEL\_SMPLRT\_DIV\_2

**Name:** ACCEL\_SMPLRT\_DIV\_2  
**Address:** 17 (11h)  
**Type:** USR2  
**Bank:** 2  
**Serial IF:** R/W  
**Reset Value:** 0x00

BIT	NAME	FUNCTION
7:0	ACCEL_SMPLRT_DIV[7:0]	LSB for ACCEL sample rate div. ODR is computed as follows: $1.125 \text{ kHz} / (1 + \text{ACCEL\_SMPLRT\_DIV}[11:0])$

### 8.3.13 ACCEL\_INTEL\_CTRL

**Name:** ACCEL\_INTEL\_CTRL  
**Address:** 18 (12h)  
**Type:** USR2  
**Bank:** 2  
**Serial IF:** R/W  
**Reset Value:** 0x00

BIT	NAME	FUNCTION
7:2	-	Reserved.
1	ACCEL_INTEL_EN	Enable the WOM logic.
0	ACCEL_INTEL_MODE_INT	Selects WOM algorithm. 1- Compare the current sample with the previous sample. 0 - Initial sample is stored, all future samples are compared to the initial sample

**8.3.14 ACCEL\_WOM\_THR**

**Name:** ACCEL\_WOM\_THR  
**Address:** 19 (13h)  
**Type:** USR2  
**Bank:** 2  
**Serial IF:** R/W  
**Reset Value:** 0x00

BIT	NAME	FUNCTION
7:0	WOM_THRESHOLD[7:0]	This register holds the threshold value for the Wake on Motion Interrupt for ACCEL x/y/z axes. LSB = 4 mg. Range is 0 mg to 1020 mg

**8.3.15 ACCEL\_CONFIG**

**Name:** ACCEL\_CONFIG  
**Address:** 20 (14h)  
**Type:** USR2  
**Bank:** 2  
**Serial IF:** R/W  
**Reset Value:** 0x01

BIT	NAME	FUNCTION
7:6	-	Reserved.
5:3	ACCEL_DLPFCFG[2:0]	Accelerometer low pass filter configuration as shown in Table 17.
2:1	ACCEL_FS_SEL[1:0]	Accelerometer Full Scale Select: 00: ±4g 01: ±8g 10: ±16g 11: ±30g
0	ACCEL_FCHOICE	0 - Bypass accel DLPF. 1 - Enable accel DLPF.

ACCEL_FCHOICE	ACCEL_DLPFCFG	Output		
		3dB BW [Hz]	NBW [Hz]	Rate [Hz]
0	x	1209	1248	4500
1	0	246.0	265.0	1125/(1+ACCEL_SMPLRT_DIV)Hz where ACCEL_SMPLRT_DIV is 0, 1, 2,...4095
1	1	246.0	265.0	1125/(1+ACCEL_SMPLRT_DIV)Hz where ACCEL_SMPLRT_DIV is 0, 1, 2,...4095
1	2	111.4	136.0	1125/(1+ACCEL_SMPLRT_DIV)Hz where ACCEL_SMPLRT_DIV is 0, 1, 2,...4095
1	3	50.4	68.8	1125/(1+ACCEL_SMPLRT_DIV)Hz where ACCEL_SMPLRT_DIV is 0, 1, 2,...4095
1	4	23.9	34.4	1125/(1+ACCEL_SMPLRT_DIV)Hz where ACCEL_SMPLRT_DIV is 0, 1, 2,...4095
1	5	11.5	17.0	1125/(1+ACCEL_SMPLRT_DIV)Hz where ACCEL_SMPLRT_DIV is 0, 1, 2,...4095
1	6	5.7	8.3	1125/(1+ACCEL_SMPLRT_DIV)Hz where ACCEL_SMPLRT_DIV is 0, 1, 2,...4095
1	7	473	499	1125/(1+ACCEL_SMPLRT_DIV)Hz where ACCEL_SMPLRT_DIV is 0, 1, 2,...4095

**Table 17. Accelerometer Configuration**

The data rate out of the DLPF filter block can be further reduced by a factor of 1.125 kHz/(1+ACCEL\_SMPLRT\_DIV[11:0]) where ACCEL\_SMPLRT\_DIV is a 12-bit integer.

**8.3.16 ACCEL\_CONFIG\_2**

**Name:** ACCEL\_CONFIG\_2  
**Address:** 21 (15h)  
**Type:** USR2  
**Bank:** 2  
**Serial IF:** R/W  
**Reset Value:** 0x00

BIT	NAME	FUNCTION
7:5	-	Reserved.
4	AX_ST_EN_REG	X Accel self-test enable.
3	AY_ST_EN_REG	Y Accel self-test enable.
2	AZ_ST_EN_REG	Z Accel self-test enable.
1:0	DEC3_CFG[1:0]	Controls the number of samples averaged in the accelerometer decimator: 0: Average 1 or 4 samples depending on ACCEL_FCHOICE (see table below) 1 - Average 8 samples. 2 - Average 16 samples. 3 - Average 32 samples.

Table 18 lists the accelerometer filter bandwidths available in the low-power mode of operation. In the low-power mode of operation, the accelerometer is duty-cycled.

	Averages	1x	4x	8x	16x	32x
	ACCEL_FCHOICE	0	1	1	1	1
	ACCEL_DLPFCFG	x	7	7	7	7
	DEC3_CFG	0	0	1	2	3
	Ton (ms)	0.821	1.488	2.377	4.154	7.71
	NBW (Hz)	1237.5	496.8	264.8	136.5	69.2
	RMS Noise [mg-rms] TYP (based on accelerometer noise: 285 $\mu$ g/ $\sqrt$ Hz)	10.0	6.4	4.6	3.3	2.4
ACCEL_SmplRT_DIV	ODR [Hz]	Current Consumption [ $\mu$ A] TYP				
4095	0.27	6.2	6.3	6.5	6.9	7.6
2044	0.55	6.3	6.6	7.0	7.7	9.2
1022	1.1	6.7	7.2	8.0	9.4	12.3
513	2.2	7.3	8.4	9.9	12.8	18.6
255	4.4	8.7	10.9	13.8	19.7	31.4
127	8.8	11.4	15.8	21.6	33.3	56.7
63	17.6	16.8	25.6	37.3	60.7	107.5
31	35.2	27.6	45.2	68.6	115.3	208.9
22	48.9	36.1	60.5	93.0	158.1	288.3
15	70.3	49.2	84.3	131.1	224.7	411.9
10	102.3	68.9	119.9	188.0	324.1	596.3
7	140.6	92.4	162.7	256.3	443.3	N/A
5	187.5	121.2	214.9			
3	281.3	178.9	319.3	N/A		
1	562.5	351.7	N/A			

**Table 18. Accelerometer Configuration 2**

**Note:** Ton is the ON time for motion measurement when the accelerometer is in duty cycle mode.

**8.3.17 FSYNC\_CONFIG**

**Name:** FSYNC\_CONFIG  
**Address:** 82 (52h)  
**Type:** USR2  
**Bank:** 2  
**Serial IF:** R/W  
**Reset Value:** 0x00

BIT	NAME	FUNCTION
7	DELAY_TIME_EN	0 - Disables delay time measurement between FSYNC event and the first ODR event (after FSYNC event). 1 - Enables delay time measurement between FSYNC event and the first ODR event (after FSYNC event).
6	-	Reserved.
5	WOF_DEGLITCH_EN	Enables digital deglitching of FSYNC input for Wake on FSYNC.
4	WOF_EDGE_INT	0 - FSYNC is a level interrupt for Wake on FSYNC. 1 - FSYNC is an edge interrupt for Wake on FSYNC.  ACTL_FSYNC is used to set the polarity of the interrupt.
3:0	EXT_SYNC_SET[3:0]	Enables the FSYNC pin data to be sampled.  EXT_SYNC_SET FSYNC bit location. 0 - Function disabled 1 - TEMP_OUT_L[0] 2 - GYRO_XOUT_L[0] 3 - GYRO_YOUT_L[0] 4 - GYRO_ZOUT_L[0] 5 - ACCEL_XOUT_L[0] 6 - ACCEL_YOUT_L[0] 7 - ACCEL_ZOUT_L[0]

**8.3.18 TEMP\_CONFIG**

**Name:** TEMP\_CONFIG  
**Address:** 83 (53h)  
**Type:** USR2  
**Bank:** 2  
**Serial IF:** R/W  
**Reset Value:** 0x00

BIT	NAME	FUNCTION																													
2:0	TEMP_DLPCFG[2:0]	Low pass filter configuration for temperature sensor as shown in the table below: <table border="1" style="margin-left: 20px;"> <thead> <tr> <th rowspan="2">TEMP_DLPCFG&lt;2:0&gt;</th> <th colspan="2">Temp Sensor</th> </tr> <tr> <th>NBW (Hz)</th> <th>Rate (kHz)</th> </tr> </thead> <tbody> <tr> <td>0</td> <td>7932.0</td> <td>9</td> </tr> <tr> <td>1</td> <td>217.9</td> <td>1.125</td> </tr> <tr> <td>2</td> <td>123.5</td> <td>1.125</td> </tr> <tr> <td>3</td> <td>65.9</td> <td>1.125</td> </tr> <tr> <td>4</td> <td>34.1</td> <td>1.125</td> </tr> <tr> <td>5</td> <td>17.3</td> <td>1.125</td> </tr> <tr> <td>6</td> <td>8.8</td> <td>Rate (kHz)</td> </tr> <tr> <td>7</td> <td>7932.0</td> <td>9</td> </tr> </tbody> </table>	TEMP_DLPCFG<2:0>	Temp Sensor		NBW (Hz)	Rate (kHz)	0	7932.0	9	1	217.9	1.125	2	123.5	1.125	3	65.9	1.125	4	34.1	1.125	5	17.3	1.125	6	8.8	Rate (kHz)	7	7932.0	9
TEMP_DLPCFG<2:0>	Temp Sensor																														
	NBW (Hz)	Rate (kHz)																													
0	7932.0	9																													
1	217.9	1.125																													
2	123.5	1.125																													
3	65.9	1.125																													
4	34.1	1.125																													
5	17.3	1.125																													
6	8.8	Rate (kHz)																													
7	7932.0	9																													

**8.3.19 MOD\_CTRL\_USR**

**Name:** MOD\_CTRL\_USR  
**Address:** 84 (54h)  
**Type:** USR2  
**Bank:** 2  
**Serial IF:** R/W  
**Reset Value:** 0x03

BIT	NAME	FUNCTION
7:1	-	Reserved.
0	REG_LP_DMP_EN	Enable turning on DMP in Low Power Accelerometer mode.

**8.3.20 REG\_BANK\_SEL**

**Name:** REG\_BANK\_SEL  
**Address:** 127 (7Fh)  
**Type:** USR2  
**Bank:** 2  
**Serial IF:** R/W  
**Reset Value:** 0x00

BIT	NAME	FUNCTION
7:6	-	Reserved.
5:4	USER_BANK[1:0]	Use the following values in this bit-field to select a USER BANK. 0 - Select USER BANK 0 1 - Select USER BANK 1 2 - Select USER BANK 2 3 - Select USER BANK 3
3:0	-	Reserved.

## 8.4 USR BANK 3 REGISTER MAP

### 8.4.1 I2C\_MST\_ODR\_CONFIG

**Name:** I2C\_MST\_ODR\_CONFIG

**Address:** 0 (00h)

**Type:** USR3

**Bank:** 3

**Serial IF:** R/W

**Reset Value:** 0x00

BIT	NAME	FUNCTION
7:4	-	Reserved.
3:0	I2C_MST_ODR_CONFIG[3:0]	ODR configuration for external sensor when gyroscope and accelerometer are disabled. ODR is computed as follows: $1 - 1 \text{ kHz} / (2^{(odr\_config[3:0])})$ When gyroscope is enabled, all sensors (including I2C_MASTER) use the gyroscope ODR. If gyroscope is disabled then all sensors (including I2C_MASTER) use the accelerometer ODR.

### 8.4.2 I2C\_MST\_CTRL

**Name:** I2C\_MST\_CTRL

**Address:** 1 (01h)

**Type:** USR3

**Bank:** 3

**Serial IF:** R/W

**Reset Value:** 0x00

BIT	NAME	FUNCTION
7	MULT_MST_EN	Enables multi-master capability. When disabled, clocking to the I2C_MST_IF can be disabled when not in use and the logic to detect lost arbitration is disabled.
6:5	-	Reserved.
4	I2C_MST_P_NSR	This bit controls the I <sup>2</sup> C Master's transition from one slave read to the next slave read. 0 - There is a restart between reads. 1 - There is a stop between reads.
3:0	I2C_MST_CLK[3:0]	Sets I <sup>2</sup> C master clock frequency as shown in Table 19.

### 8.4.3 I2C\_MST\_DELAY\_CTRL

**Name:** I2C\_MST\_DELAY\_CTRL

**Address:** 2 (02h)

**Type:** USR3

**Bank:** 3

**Serial IF:** R/W

**Reset Value:** 0x00

BIT	NAME	FUNCTION
7	DELAY_ES_SHADOW	Delays shadowing of external sensor data until all data is received.
6:5	-	Reserved.
4	I2C_SLV4_DELAY_EN	When enabled, slave 4 will only be accessed $1/(1+I2C\_SLC4\_DLY)$ samples as determined by I2C_MST_ODR_CONFIG.
3	I2C_SLV3_DELAY_EN	When enabled, slave 3 will only be accessed $1/(1+I2C\_SLC4\_DLY)$ samples as determined by I2C_MST_ODR_CONFIG.
2	I2C_SLV2_DELAY_EN	When enabled, slave 2 will only be accessed $1/(1+I2C\_SLC4\_DLY)$ samples as determined by I2C_MST_ODR_CONFIG.
1	I2C_SLV1_DELAY_EN	When enabled, slave 1 will only be accessed $1/(1+I2C\_SLC4\_DLY)$ samples as determined by I2C_MST_ODR_CONFIG.
0	I2C_SLV0_DELAY_EN	When enabled, slave 0 will only be accessed $1/(1+I2C\_SLC4\_DLY)$ samples as determined by I2C_MST_ODR_CONFIG.

#### 8.4.4 I2C\_SLV0\_ADDR

**Name:** I2C\_SLV0\_ADDR  
**Address:** 3 (03h)  
**Type:** USR3  
**Bank:** 3  
**Serial IF:** R/W  
**Reset Value:** 0x00

BIT	NAME	FUNCTION
7	I2C_SLV0_RNW	1 – Transfer is a read. 0 – Transfer is a write.
6:0	I2C_ID_0[6:0]	Physical address of I <sup>2</sup> C slave 0.

#### 8.4.5 I2C\_SLV0\_REG

**Name:** I2C\_SLV0\_REG  
**Address:** 4 (04h)  
**Type:** USR3  
**Bank:** 3  
**Serial IF:** R/W  
**Reset Value:** 0x00

BIT	NAME	FUNCTION
7:0	I2C_SLV0_REG[7:0]	I <sup>2</sup> C slave 0 register address from where to begin data transfer.

#### 8.4.6 I2C\_SLV0\_CTRL

**Name:** I2C\_SLV0\_CTRL  
**Address:** 5 (05h)  
**Type:** USR3  
**Bank:** 3  
**Serial IF:** R/W  
**Reset Value:** 0x00

BIT	NAME	FUNCTION
7	I2C_SLV0_EN	1 – Enable reading data from this slave at the sample rate and storing data at the first available EXT_SENS_DATA register, which is always EXT_SENS_DATA_00 for I <sup>2</sup> C slave 0. 0 – Function is disabled for this slave.
6	I2C_SLV0_BYTE_SW	1 – Swap bytes when reading both the low and high byte of a word. Note there is nothing to swap after reading the first byte if I2C_SLV0_REG[0] = 1, or if the last byte read has a register address LSB = 0. For example, if I2C_SLV0_REG = 0x1, and I2C_SLV0 LENG = 0x4: 1) The first byte read from address 0x1 will be stored at EXT_SENS_DATA_00, 2) The second and third bytes will be read and swapped, so the data read from address 0x2 will be stored at EXT_SENS_DATA_02, and the data read from address 0x3 will be stored at EXT_SENS_DATA_01, 3) The last byte read from address 0x4 will be stored at EXT_SENS_DATA_03  0 – No swapping occurs; bytes are written in order read.
5	I2C_SLV0_REG_DIS	When set, the transaction does not write a register value, it will only read data, or write data
4	I2C_SLV0_GRP	External sensor data typically comes in as groups of two bytes. This bit is used to determine if the groups are from the slave’s register address 0 and 1, 2 and 3, etc., or if the groups are address 1 and 2, 3 and 4, etc. 0 indicates slave register addresses 0 and 1 are grouped together (odd numbered register ends the group). 1 indicates slave register addresses 1 and 2 are grouped together (even numbered register ends the group). This allows byte swapping of registers that are grouped starting at any address.
3:0	I2C_SLV0 LENG[3:0]	Number of bytes to be read from I <sup>2</sup> C slave 0.



#### 8.4.7 I2C\_SLV0\_DO

**Name:** I2C\_SLV0\_DO  
**Address:** 6 (06h)  
**Type:** USR3  
**Bank:** 3  
**Serial IF:** R/W  
**Reset Value:** 0x00

BIT	NAME	FUNCTION
7:0	I2C_SLV0_DO[7:0]	Data out when slave 0 is set to write.

#### 8.4.8 I2C\_SLV1\_ADDR

**Name:** I2C\_SLV1\_ADDR  
**Address:** 7 (07h)  
**Type:** USR3  
**Bank:** 3  
**Serial IF:** R/W  
**Reset Value:** 0x00

BIT	NAME	FUNCTION
7	I2C_SLV1_RNW	1 – Transfer is a read. 0 – Transfer is a write.
6:0	I2C_ID_1[6:0]	Physical address of I <sup>2</sup> C slave 1.

#### 8.4.9 I2C\_SLV1\_REG

**Name:** I2C\_SLV1\_REG  
**Address:** 8 (08h)  
**Type:** USR3  
**Bank:** 3  
**Serial IF:** R/W  
**Reset Value:** 0x00

BIT	NAME	FUNCTION
7:0	I2C_SLV1_REG[7:0]	I <sup>2</sup> C slave 1 register address from where to begin data transfer.

**8.4.10 I2C\_SLV1\_CTRL**

**Name:** I2C\_SLV1\_CTRL

**Address:** 9 (09h)

**Type:** USR3

**Bank:** 3

**Serial IF:** R/W

**Reset Value:** 0x00

BIT	NAME	FUNCTION
7	I2C_SLV1_EN	1 – Enable reading data from this slave at the sample rate and storing data at the first available EXT_SENS_DATA register as determined by I2C_SLV0_EN and I2C_SLV0 LENG. 0 – Function is disabled for this slave.
6	I2C_SLV1_BYTE_SW	1 – Swap bytes when reading both the low and high byte of a word. Note there is nothing to swap after reading the first byte if I2C_SLV1_REG[0] = 1, or if the last byte read has a register address LSB = 0. For example, if I2C_SLV0_EN = 0x1, and I2C_SLV0 LENG = 0x3 (to show swap has to do with I <sup>2</sup> C slave address not EXT_SENS_DATA address), and if I2C_SLV1_REG = 0x1, and I2C_SLV1 LENG = 0x4: 1) The first byte read from address 0x1 will be stored at EXT_SENS_DATA_03 (slave 0's data will be in EXT_SENS_DATA_00, EXT_SENS_DATA_01, and EXT_SENS_DATA_02), 2) The second and third bytes will be read and swapped, so the data read from address 0x2 will be stored at EXT_SENS_DATA_04, and the data read from address 0x3 will be stored at EXT_SENS_DATA_05, 3) The last byte read from address 0x4 will be stored at EXT_SENS_DATA_06  0 – No swapping occurs; bytes are written in order read.
5	I2C_SLV1_REG_DIS	When set, the transaction does not write a register value, it will only read data, or write data
4	I2C_SLV1_GRP	External sensor data typically comes in as groups of two bytes. This bit is used to determine if the groups are from the slave's register address 0 and 1, 2 and 3, etc., or if the groups are address 1 and 2, 3 and 4, etc. 0 indicates slave register addresses 0 and 1 are grouped together (odd numbered register ends the group). 1 indicates slave register addresses 1 and 2 are grouped together (even numbered register ends the group). This allows byte swapping of registers that are grouped starting at any address.
3:0	I2C_SLV1 LENG[3:0]	Number of bytes to be read from I <sup>2</sup> C slave 1.

**8.4.11 SLV1\_DO**

**Name:** I2C\_SLV1\_DO

**Address:** 10 (0Ah)

**Type:** USR3

**Bank:** 3

**Serial IF:** R/W

**Reset Value:** 0x00

BIT	NAME	FUNCTION
7:0	I2C_SLV1_DO[7:0]	Data out when slave 1 is set to write.

#### 8.4.12 I2C\_SLV2\_ADDR

**Name:** I2C\_SLV2\_ADDR  
**Address:** 11 (0Bh)  
**Type:** USR3  
**Bank:** 3  
**Serial IF:** R/W  
**Reset Value:** 0x00

BIT	NAME	FUNCTION
7	I2C_SLV2_RNW	1 – Transfer is a read. 0 – Transfer is a write.
6:0	I2C_ID_2[6:0]	Physical address of I <sup>2</sup> C slave 2.

#### 8.4.13 I2C\_SLV2\_REG

**Name:** I2C\_SLV2\_REG  
**Address:** 12 (0Ch)  
**Type:** USR3  
**Bank:** 3  
**Serial IF:** R/W  
**Reset Value:** 0x00

BIT	NAME	FUNCTION
7:0	I2C_SLV2_REG[7:0]	I <sup>2</sup> C slave 2 register address from where to begin data transfer.

#### 8.4.14 I2C\_SLV2\_CTRL

**Name:** I2C\_SLV2\_CTRL  
**Address:** 13 (0Dh)  
**Type:** USR3  
**Bank:** 3  
**Serial IF:** R/W  
**Reset Value:** 0x00

BIT	NAME	FUNCTION
7	I2C_SLV2_EN	1 – Enable reading data from this slave at the sample rate and storing data at the first available EXT_SENS_DATA register as determined by I2C_SLV0_EN, I2C_SLV0 LENG, I2C_SLV1_EN and I2C_SLV1 LENG. 0 – Function is disabled for this slave.
6	I2C_SLV2_BYTE_SW	1 – Swap bytes when reading both the low and high byte of a word. Note there is nothing to swap after reading the first byte if I2C_SLV2_REG[0] = 1, or if the last byte read has a register address LSB = 0. See I2C_SLV1_CTRL for an example.  0 – No swapping occurs; bytes are written in order read.
5	I2C_SLV2_REG_DIS	When set, the transaction does not write a register value, it will only read data, or write data
4	I2C_SLV2_GRP	External sensor data typically comes in as groups of two bytes. This bit is used to determine if the groups are from the slave's register address 0 and 1, 2 and 3, etc., or if the groups are address 1 and 2, 3 and 4, etc. 0 indicates slave register addresses 0 and 1 are grouped together (odd numbered register ends the group). 1 indicates slave register addresses 1 and 2 are grouped together (even numbered register ends the group). This allows byte swapping of registers that are grouped starting at any address.
3:0	I2C_SLV2 LENG[3:0]	Number of bytes to be read from I <sup>2</sup> C slave 2.

**8.4.15 I2C\_SLV2\_DO**

**Name:** I2C\_SLV2\_DO  
**Address:** 14 (0Eh)  
**Type:** USR3  
**Bank:** 3  
**Serial IF:** R/W  
**Reset Value:** 0x00

BIT	NAME	FUNCTION
7:0	I2C_SLV2_DO[7:0]	Data out when slave 2 is set to write.

**8.4.16 I2C\_SLV3\_ADDR**

**Name:** I2C\_SLV3\_ADDR  
**Address:** 15 (0Fh)  
**Type:** USR3  
**Bank:** 3  
**Serial IF:** R/W  
**Reset Value:** 0x00

BIT	NAME	FUNCTION
7	I2C_SLV3_RNW	1 – Transfer is a read. 0 – Transfer is a write.
6:0	I2C_ID_3[6:0]	Physical address of I <sup>2</sup> C slave 3.

**8.4.17 I2C\_SLV3\_REG**

**Name:** I2C\_SLV3\_REG  
**Address:** 16 (10h)  
**Type:** USR3  
**Bank:** 3  
**Serial IF:** R/W  
**Reset Value:** 0x00

BIT	NAME	FUNCTION
7:0	I2C_SLV3_REG[7:0]	I <sup>2</sup> C slave 3 register address from where to begin data transfer.

**8.4.18 I2C\_SLV3\_CTRL**

**Name:** I2C\_SLV3\_CTRL

**Address:** 17 (11h)

**Type:** USR3

**Bank:** 3

**Serial IF:** R/W

**Reset Value:** 0x00

BIT	NAME	FUNCTION
7	I2C_SLV3_EN	1 – Enable reading data from this slave at the sample rate and storing data at the first available EXT_SENS_DATA register as determined by I2C_SLV0_EN, I2C_SLV0 LENG, I2C_SLV1_EN, I2C_SLV1 LENG, I2C_SLV2_EN and I2C_SLV2 LENG. 0 – Function is disabled for this slave.
6	I2C_SLV3_BYTE_SW	1 – Swap bytes when reading both the low and high byte of a word. Note there is nothing to swap after reading the first byte if I2C_SLV3_REG[0] = 1, or if the last byte read has a register address LSB = 0. See I2C_SLV1_CTRL for an example.  0 – No swapping occurs, bytes are written in order read.
5	I2C_SLV3_REG_DIS	When set, the transaction does not write a register value, it will only read data, or write data
4	I2C_SLV3_GRP	External sensor data typically comes in as groups of two bytes. This bit is used to determine if the groups are from the slave’s register address 0 and 1, 2 and 3, etc., or if the groups are address 1 and 2, 3 and 4, etc. 0 indicates slave register addresses 0 and 1 are grouped together (odd numbered register ends the group). 1 indicates slave register addresses 1 and 2 are grouped together (even numbered register ends the group). This allows byte swapping of registers that are grouped starting at any address.
3:0	I2C_SLV3 LENG[3:0]	Number of bytes to be read from I <sup>2</sup> C slave 3.

**8.4.19 I2C\_SLV3\_DO**

**Name:** I2C\_SLV3\_DO

**Address:** 18 (12h)

**Type:** USR3

**Bank:** 3

**Serial IF:** R/W

**Reset Value:** 0x00

BIT	NAME	FUNCTION
7:0	I2C_SLV3_DO[7:0]	Data out when slave 3 is set to write.

### 8.4.20 I2C\_SLV4\_ADDR

**Name:** I2C\_SLV4\_ADDR  
**Address:** 19 (13h)  
**Type:** USR3  
**Bank:** 3  
**Serial IF:** R/W  
**Reset Value:** 0x00

BIT	NAME	FUNCTION
7	I2C_SLV4_RNW	1 – Transfer is a read. 0 – Transfer is a write.
6:0	I2C_ID_4[6:0]	Physical address of I <sup>2</sup> C slave 4.

**Note:** The I<sup>2</sup>C Slave 4 interface can be used to perform only single byte read and write transactions.

### 8.4.21 I2C\_SLV4\_REG

**Name:** I2C\_SLV4\_REG  
**Address:** 20 (14h)  
**Type:** USR3  
**Bank:** 3  
**Serial IF:** R/W  
**Reset Value:** 0x00

BIT	NAME	FUNCTION
7:0	I2C_SLV4_REG[7:0]	I <sup>2</sup> C slave 4 register address from where to begin data transfer.

### 8.4.22 I2C\_SLV4\_CTRL

**Name:** I2C\_SLV4\_CTRL  
**Address:** 21 (15h)  
**Type:** USR3  
**Bank:** 3  
**Serial IF:** R/W  
**Reset Value:** 0x00

BIT	NAME	FUNCTION
7	I2C_SLV4_EN	1 – Enable data transfer with this slave at the sample rate. If read command, store data in I2C_SLV4_DI register, if write command, write data stored in I2C_SLV4_DO register. Bit is cleared when a single transfer is complete. Be sure to write I2C_SLV4_DO first 0 – Function is disabled for this slave.
6	I2C_SLV4_INT_EN	1 – Enables the completion of the I <sup>2</sup> C slave 4 data transfer to cause an interrupt. 0 – Completion of the I <sup>2</sup> C slave 4 data transfer will not cause an interrupt.
5	I2C_SLV4_REG_DIS	When set, the transaction does not write a register value, it will only read data, or write data.
4:0	I2C_SLV4_DLY[4:0]	When enabled via the I2C_MST_DELAY_CTRL, those slaves will only be enabled every $1/(1+I2C\_SLV4\_DLY)$ samples as determined by I2C_MST_ODR_CONFIG

### 8.4.23 I2C\_SLV4\_DO

**Name:** I2C\_SLV4\_DO  
**Address:** 22 (16h)  
**Type:** USR3  
**Bank:** 3  
**Serial IF:** R/W  
**Reset Value:** 0x00

BIT	NAME	FUNCTION
7:0	I2C_SLV4_DO[7:0]	Data out when slave 4 is set to write.

**8.4.24 I2C\_SLV4\_DI**

**Name:** I2C\_SLV4\_DI  
**Address:** 23 (17h)  
**Type:** USR3  
**Bank:** 3  
**Serial IF:** R  
**Reset Value:** 0x00

BIT	NAME	FUNCTION
7:0	I2C_SLV4_DI[7:0]	Data read from I <sup>2</sup> C Slave 4.

**8.4.25 REG\_BANK\_SEL**

**Name:** REG\_BANK\_SEL  
**Address:** 127 (7Fh)  
**Type:**  
**Bank:** 3  
**Serial IF:** R/W  
**Reset Value:** 0x00

BIT	NAME	FUNCTION
7:6	-	Reserved.
5:4	USER_BANK[1:0]	Use the following values in this bit-field to select a USER BANK: 0 - Select USER BANK 0 1 - Select USER BANK 1 2 - Select USER BANK 2 3 - Select USER BANK 3
3:0	-	Reserved.

## 9 USE NOTES

### 9.1 GYROSCOPE MODE TRANSITION

When gyroscope is transitioning from standard to low-noise mode, several unsettled output samples will be observed at the gyroscope output due to filter switching and settling. The number of unsettled gyroscope output samples depends on the filter and ODR settings.

### 9.2 POWER MANAGEMENT 1 REGISTER SETTING

CLKSEL[2:0] has to be set to 001 to achieve the datasheet performance.

### 9.3 DMP MEMORY ACCESS

Reading/writing DMP memory and FIFO through I<sup>2</sup>C in a multithreaded environment can cause wrong data being read. To avoid the issue, one may use SPI instead of I<sup>2</sup>C, or use I<sup>2</sup>C with mutexes.

### 9.4 TIME BASE CORRECTION

The system clock frequency at room temperature in gyroscope mode and 6-Axis mode varies from part to part, and the clock rates specified in datasheet are the nominal values. The percentage of frequency deviation from the nominal values for each part is logged in register TIMEBASE\_CORRECTION\_PLL, and the range of the code is  $\pm 10\%$  with each LSB representing a step of 0.079%. For example, if on one part TIMEBASE\_CORRECTION\_PLL = 0x0C = d'12, it means the clock frequency in gyroscope mode and 6-Axis mode is  $\sim 0.94\%$  faster than the nominal value.

When operating in accelerometer-only mode, the system clock frequency at room temperature is the nominal frequency over parts, and it is independent of the value stored in TIMEBASE\_CORRECTION\_PLL register.



## 9.5 I<sup>2</sup>C MASTER CLOCK FREQUENCY

I<sup>2</sup>C master clock frequency can be set by register I2C\_MST\_CLK as shown in the table below. Due to temperature variation and part to part variation of system clock frequency in different power modes, I2C\_MST\_CLK should be set such that in all conditions the clock frequency will not exceed what a slave device can support. To achieve a targeted clock frequency of 400 kHz, MAX, it is recommended to set I2C\_MST\_CLK = 7 (345.6 kHz / 46.67% duty cycle).

I2C_MST_CLK	Nominal CLK Frequency [kHz]	Duty Cycle
0	370.29	50.00%
1	-	-
2	370.29	50.00%
3	432.00	50.00%
4	370.29	42.86%
5	370.29	50.00%
6	345.60	40.00%
7	345.60	46.67%
8	304.94	47.06%
9	432.00	50.00%
10	432.00	41.67%
11	432.00	41.67%
12	471.27	45.45%
13	432.00	50.00%
14	345.60	46.67%
15	345.60	46.67%

**Table 19. I<sup>2</sup>C Master Clock Frequency**

## 9.6 CLOCKING

The internal system clock sources include: (1) an internal relaxation oscillator, and (2) a PLL with MEMS gyroscope oscillator as the reference clock. With the recommended clock selection setting (CLKSEL = 1), the best clock source for optimum sensor performance and power consumption will be automatically selected based on the power mode. Specifically, the internal relaxation oscillator will be selected when operating in accelerometer only mode, while the PLL will be selected whenever gyroscope is on, which includes gyroscope and 6-axis modes.

As clock accuracy is critical to the preciseness of distance and angle calculations performed by DMP, it should be noted that the internal relaxation oscillator and PLL show different performances in some aspects. The internal relaxation oscillator is trimmed to have a consistent operating frequency at room temperature, while the PLL clock frequency varies from part to part. The PLL frequency deviation from the nominal value in percentage is captured in register TIMEBASE\_CORRECTION\_PLL, and users can factor it in during distance and angle calculations to not sacrifice accuracy. Other than that, PLL has better frequency stability and lower frequency variation over temperature than the internal relaxation oscillator.

## 9.7 LP\_EN BIT-FIELD USAGE

The LP\_EN bit-field (User Bank 0, PWR\_MGMT\_1 register, bit [5] helps to reduce the digital current. The recommended setting for this bit-field is 1 to achieve the lowest possible current. However, when LP\_EN is set to 1, user may not be able to write to the following registers. If it is desired to write to registers in this list, it is recommended to first set LP\_EN=0, write the desired register(s), then set LP\_EN=1 again:

- USER BANK 0: All registers except LP\_CONFIG, PWR\_MGMT\_1, PWR\_MGMT\_2, INT\_PIN\_CFG, INT\_ENABLE, FIFO\_COUNTH, FIFO\_COUNTL, FIFO\_R\_W, FIFO\_CFG, REG\_BANK\_SEL
- USER BANK 1: All registers except REG\_BANK\_SEL
- USER BANK 2: All registers except REG\_BANK\_SEL
- USER BANK 3: All registers except REG\_BANK\_SEL

## 9.8 REGISTER ACCESS USING SPI INTERFACE

Using the SPI interface, when the AP/user disables the gyroscope sensor (User Bank 0, PWR\_MGMT\_2 register, bits [2:0]=111) as part of a sequence of register read or write commands, the AP/user will be required to subsequently wait 22 $\mu$ s prior to any of the following operations:

(1) Writing to any of the following registers:

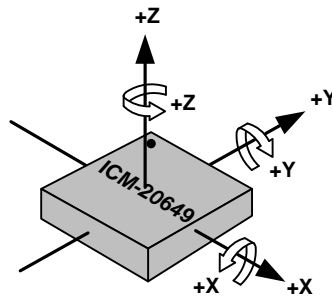
- USER BANK 0: All registers except LP\_CONFIG, PWR\_MGMT\_1, PWR\_MGMT\_2, INT\_PIN\_CFG, INT\_ENABLE, FIFO\_COUNTH, FIFO\_COUNTL, FIFO\_R\_W, FIFO\_CFG, REG\_BANK\_SEL
- USER BANK 1: All registers except REG\_BANK\_SEL
- USER BANK 2: All registers except REG\_BANK\_SEL
- USER BANK 3: All registers except REG\_BANK\_SEL

(2) Reading data from FIFO

(3) Reading from memory

## 10 ORIENTATION OF AXES

Figure 12 shows the orientation of the axes of sensitivity and the polarity of rotation. Note the pin 1 identifier (•) in the figure.



**Figure 12. Orientation of Axes of Sensitivity and Polarity of Rotation**

## 11 PACKAGE DIMENSIONS

This section provides package dimensions for the device. Information for the 24 Lead QFN 3.0x3.0x0.9 package is below.

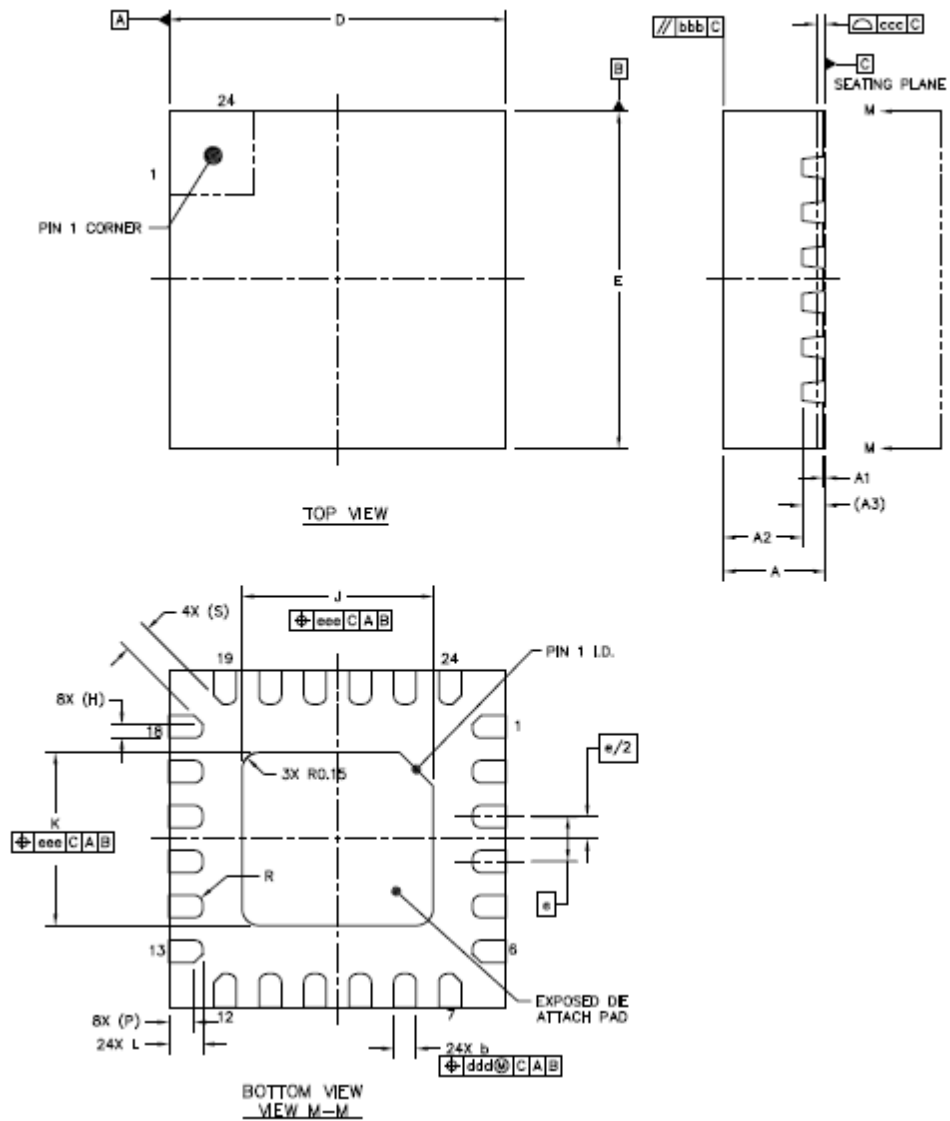


Figure 13. Package Dimensions

	SYMBOL	MIN.	NOM.	MAX.
Total Thickness	A	0.85	0.90	0.95
Stand Off	A1	0.00	0.02	0.05
Mold Thickness	A2	---	0.70	---
L/F Thickness	A3	0.203 REF		
Lead Width	b	0.15	0.20	0.25
Body Size	D	2.90	3.00	3.10
	E	2.90	3.00	3.10
Lead Pitch	e	0.40 BSC		
EP Size	J	1.65	1.70	1.75
	K	1.49	1.54	1.59
Lead Length	L	0.25	0.30	0.35
	S	0.25 REF		
	R	0.075	---	---
	H	0.12 REF		
	P	0.22 REF		
Mold Flatness	bbb	0.10		
Coplanarity	ccc	0.075		
Lead Offset	ddd	0.10		
Exposed Pad Offset	eee	0.10		

Table 20. Package Dimensions

## 12 PART NUMBER PART MARKINGS

The part number part markings for ICM-20649 devices are summarized below:

PART NUMBER	PART NUMBER PART MARKING
ICM-20649	IC2649

Table 21. Part Number Package Markings

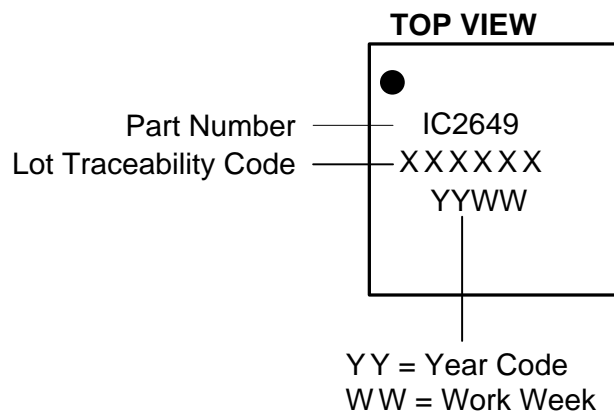


Figure 14. Part Number Package Markings

## **13 REFERENCES**

Please refer to “InvenSense MEMS Handling Application Note (AN-IVS-0002A-00)” for the following information:

- Manufacturing Recommendations
  - Assembly Guidelines and Recommendations
  - PCB Design Guidelines and Recommendations
  - MEMS Handling Instructions
  - ESD Considerations
  - Reflow Specification
  - Storage Specifications
  - Package Marking Specification
  - Tape & Reel Specification
  - Reel & Pizza Box Label
  - Packaging
  - Representative Shipping Carton Label
- Compliance
  - Environmental Compliance
  - DRC Compliance
  - Compliance Declaration Disclaimer

**14 REVISION HISTORY**

Revision Date	Revision	Description
03/25/2016	0.1	Initial Release
06/13/2016	0.2	Updated Section 3
07/22/2016	0.3	Updated Sections 3, 12
12/13/2016	1.0	Updated Section 3, 6, 12



This information furnished by InvenSense is believed to be accurate and reliable. However, no responsibility is assumed by InvenSense for its use, or for any infringements of patents or other rights of third parties that may result from its use. Specifications are subject to change without notice. InvenSense reserves the right to make changes to this product, including its circuits and software, in order to improve its design and/or performance, without prior notice. InvenSense makes no warranties, neither expressed nor implied, regarding the information and specifications contained in this document. InvenSense assumes no responsibility for any claims or damages arising from information contained in this document, or from the use of products and services detailed therein. This includes, but is not limited to, claims or damages based on the infringement of patents, copyrights, mask work and/or other intellectual property rights.

Certain intellectual property owned by InvenSense and described in this document is patent protected. No license is granted by implication or otherwise under any patent or patent rights of InvenSense. This publication supersedes and replaces all information previously supplied. Trademarks that are registered trademarks are the property of their respective companies. InvenSense sensors should not be used or sold in the development, storage, production or utilization of any conventional or mass-destructive weapons or for any other weapons or life threatening applications, as well as in any other life critical applications such as medical equipment, transportation, aerospace and nuclear instruments, undersea equipment, power plant equipment, disaster prevention and crime prevention equipment.

InvenSense® is a registered trademark of InvenSense, Inc. ICS™, ICM-20649™, Digital Motion Processor™, Digital Motion Processor™, Motion Processing Unit™, MotionFusion™, MotionInterface™, MotionTracking™, and MotionApps™ are trademarks of InvenSense, Inc.



©2016-2017 InvenSense, Inc. All rights reserved.