

# Data Sheet

- ITEM : COMMON MODE FILTER

- PART NO : ICMF112P900MFR

购买原装正品请认准-德方电子  
免费服务热线: 400-655-8700  
深圳总部电话: 0755-28187877  
网址: [www.denovocn.com](http://www.denovocn.com)

ITEM	P/N	Page
Common Mode Filter	ICMF112P900MFR	2

## 1. GENERALS

- This specification covers the engineering requirements for the ICMF112P900M (Common Mode Filter)

## 2. FEATURES

- Effective for suppressing common mode noise and almost no effect for high speed differential data line
- Ultra low profile (1.2 x 1.0 x 0.6mm)
- Ceramic multilayer type SMD component
- Non-polarized product
- It is a product conforming to RoHS directive.

## 3. APPLICATIONS

- LVDS lines in notebook computers
- USB2.0, IEEE1394, DVI, HDMI lines in PDP, LCD TV, DVD Player, PC, Audio player, DSC
- MDDI, MIPI in mobile phone

## 4. PRODUCT SPECIFICATIONS

### 4. 1 PART NUMBER CODE

ICMF   11   2P   900   M   F   R  
 ①   ②   ③   ④   ⑤   ⑥   ⑦

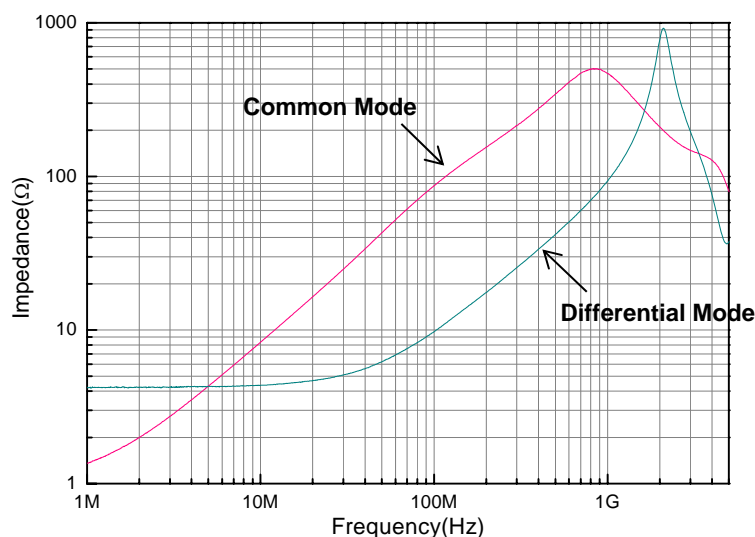
- ① Series name of ICT's Common Mode Filter
- ② Dimensions, 1.2mm (L) x 1.0mm (W)
- ③ The Number of lines, 2P = 2 lines
- ④ Common Mode Impedance (at 100MHz), 900= 90Ω
- ⑤ Tolerance of common mode impedance, M= ±25%
- ⑥ Type of electrode plating: F= Lead Free
- ⑦ Packing Type, R= Reel

购买原装正品请认准-德方电子  
 免费服务热线: 400-655-8700  
 深圳总部电话: 0755-28187877  
 网址: [www.denovocn.com](http://www.denovocn.com)

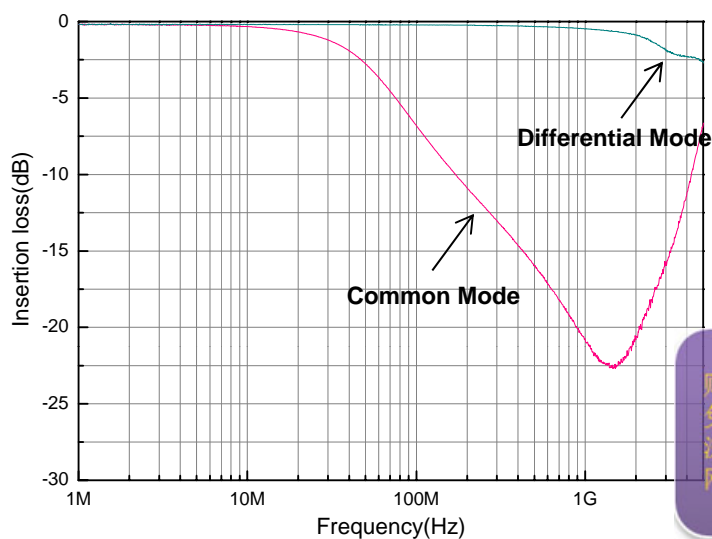
## 4. 2 SPECIFICATION OF ELECTRICAL CHARACTERISTICS

Characteristics	Common Mode Impedance	Resistance	Insulation Resistance	Rated Current
symbol	$Z_{CM}$	$R_{DC}$	$IR_{CR}$	$I_R$
Units	$\Omega$	$\Omega$	$M\Omega$	mA
Test Condition	@100MHz	$25^{\circ}C \pm 2^{\circ}C$	10V	$25^{\circ}C \pm 2^{\circ}C$
Value	$90(\pm 25\%)$	Max 4.0	Max 10	Max 100

### - Impedance Curves



### - Transmission characteristics (S-parameter)



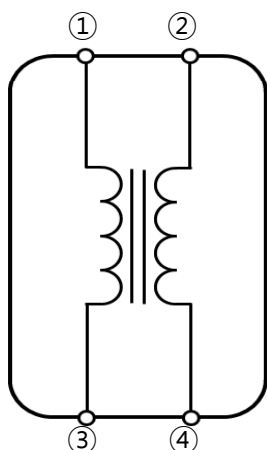
购买原装正品请认准-德方电子  
 免费服务热线: 400-655-8700  
 深圳总部电话: 0755-28187877  
 网址: [www.denovocn.com](http://www.denovocn.com)

ITEM	P/N	Page
Common Mode Filter	ICMF112P900MFR	4

### 4. 3 OPERATING TEMPERATURE

DESCRIPTION	REQUIREMENTS
Operating Temperature	-40°C ~ + 85°C

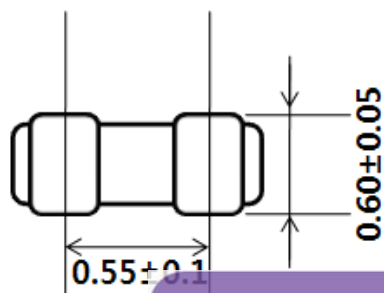
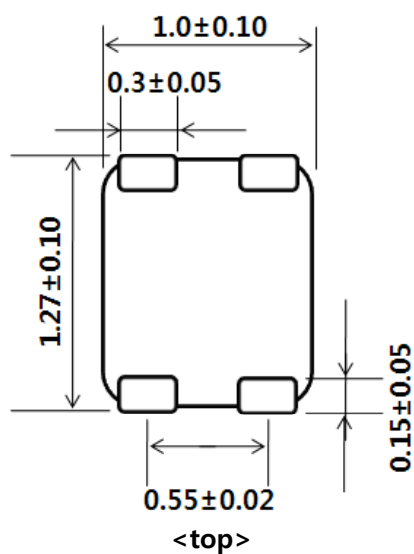
## 5. EQUIVALENT CIRCUIT



PIN NUMBER	DESCRIPTION
①~④	DATA LINE

## 6. MECHANICAL PROPERTY

### 6. 1 Appearance and Dimension



购买原装正品请认准-德方电子  
 免费服务热线: 400-655-8700  
 深圳总部电话: 0755-28187877  
 网址: [www.denovocn.com](http://www.denovocn.com)

Unit : mm