



ICN2038S

(16-Channel Constant Current LED Sink Driver with Dual Latch)

Description

The ICN2038S is a 16-channel constant current sink output LED driver. All 16-channels constant current can be set by a single external resistor, which provides users flexibility in controlling the light intensity of LEDs.

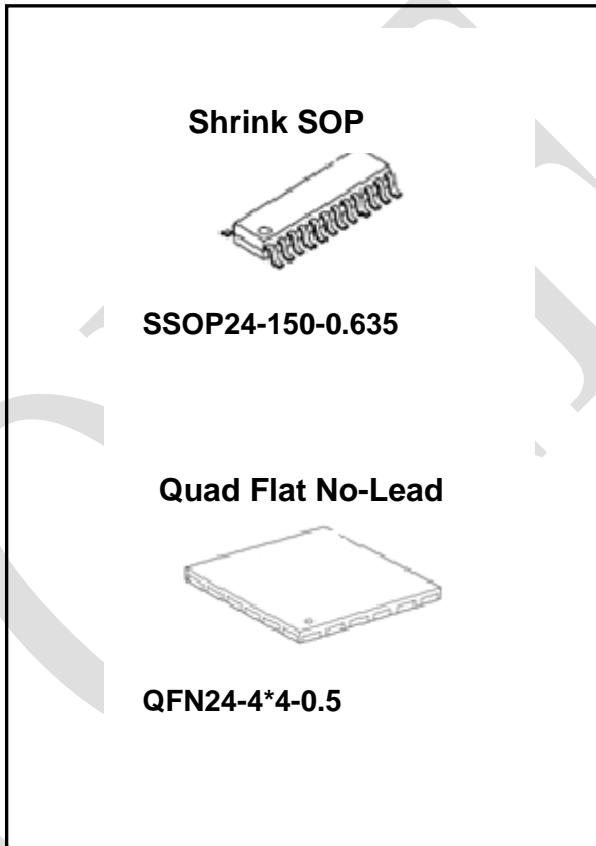
The ICN2038S exploits current precision controlling technology, which makes error between ICs less than $\pm 2.0\%$, and error between channels less than $\pm 2.0\%$. At ICN2038S output stage, 16-regulated output ports are designed to provide uniform and constant current sinks for driving LEDs within a large range of forward voltage(VF) variations.

ICN2038S contains two 16-bit shift registers and latches which convert serial input data into parallel output format. For integrated dual latches, ICN2038S could get higher refresh rate.

Features

- ✧ 16-channel constant current output
- ✧ Output current setting range :
0.5~45mA×16@V_{DD}=5V constant current output
0.5~25mA×16@V_{DD}=3.3V constant current output
- ✧ Current accuracy
Between channel :< $\pm 2.0\%$
Between ICs :< $\pm 2.0\%$
- ✧ Fast response of output current,
 \overline{OE} (min):40ns@V_{DD}=5V
- ✧ I/O: Schmitt trigger input
- ✧ Data transfer frequency:f_{MAX}=30MHz(Max)
- ✧ Power supply voltage: V_{DD}=3.3 ~ 5V
- ✧ Operating Temperature: -40°C to +85°C
- ✧ 4 bit current gain: 25%~100%
- ✧ Adjustable Pre-Charge for Ghosting Reduction
- ✧ LED Protection Circuit
- ✧ Enhanced Circuit for Caterpillar Cancelling
- ✧ Low-Gray Scale Enhancement
- ✧ Integrated Dual Latches for higher refresh rate
- ✧ Dim line at the first scan line

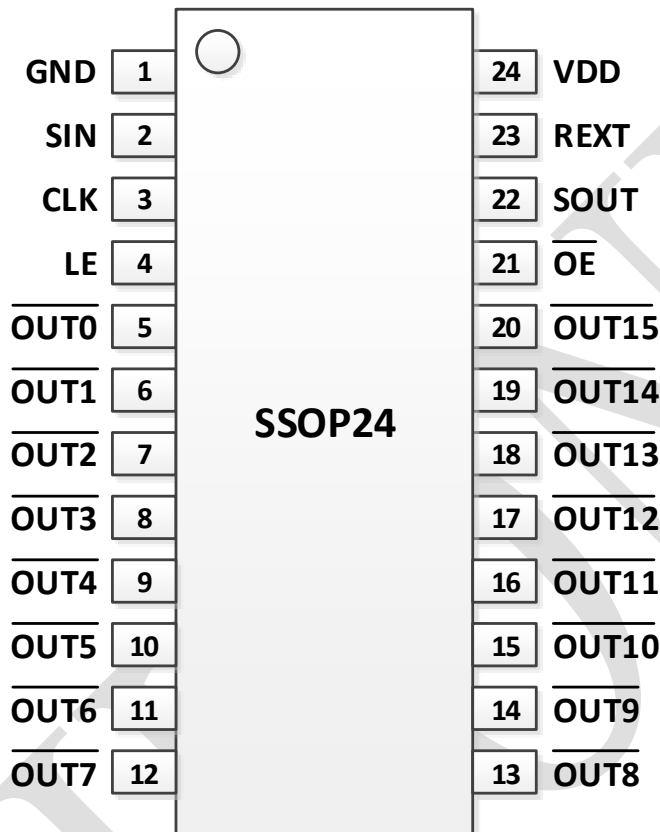
Package



ICN2038S

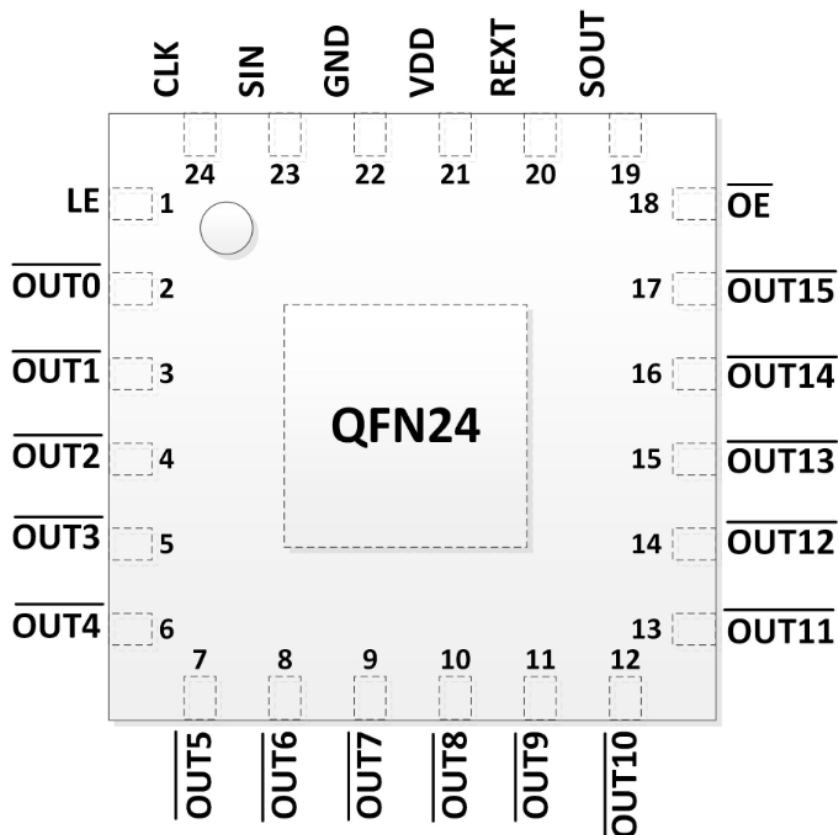
Pin Configuration

1 SSOP24-P-150-0. 635



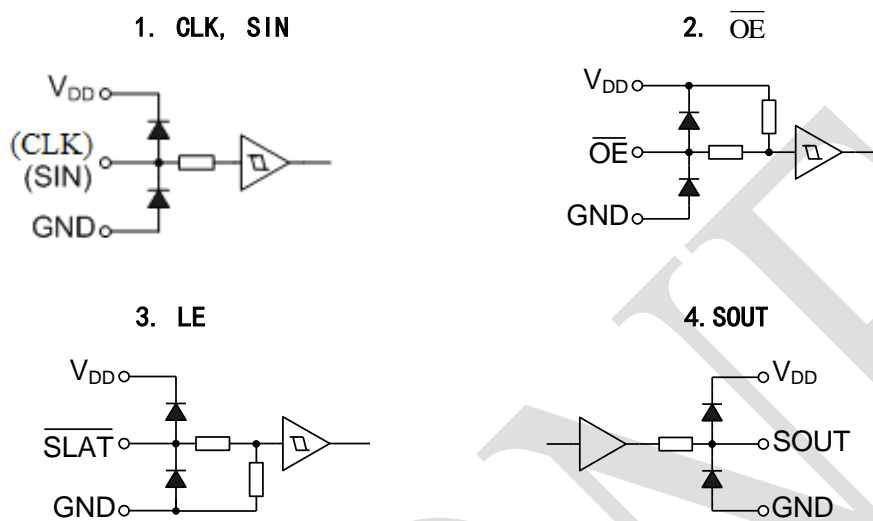
ICN2038S (SSOP24)		
Pin No.	Pin Name	Function
1	GND	Power Ground
2	SIN	Serial data or command input for driver control
3	CLK	Clock input terminal for data shift on rising edge
4	LE	The command parser is a counter of LE length: A different length of LE indicates a different command.
5~20	$\overline{\text{OUT0}} \sim \overline{\text{OUT15}}$	Constant current output
21	$\overline{\text{OE}}$	Output enable terminal, $\overline{\text{OE}}$ high level, all output drivers are enabled; $\overline{\text{OE}}$ low level, all output drivers are turned OFF
22	SOUT	Serial-data or command output to the following IC.
23	R-EXT	Constant-current value setting .Connection to an external resistor to GND.
24	VDD	Power-supply voltage

2 QFN24-4*4-0.5



ICN2038S(QFN24)		
Pin No.	Pin Name	Function
1	LE	The command parser is a counter of LE length: A different length of LE indicates a different command.
2~17	$\overline{\text{OUT0}} \sim \overline{\text{OUT15}}$	Constant current output
18	$\overline{\text{OE}}$	Output enable terminal, $\overline{\text{OE}}$ high level, all output drivers are enabled; $\overline{\text{OE}}$ low level, all output drivers are turned OFF
19	SOUT	Serial-data or command output to the following IC.
20	R-EXT	Constant-current value setting .Connection to an external resistor to GND.
21	VDD	Power-supply voltage
22	GND	Power Ground
23	SIN	Serial data or command input for driver control
24	CLK	Clock input terminal for data shift on rising edge

I/O Equivalent Circuits



Shift-Register and Command Parser

A simple 16bit shift-register is integrated. All data, such as gray scale and configuration, are latched by the shift-register.

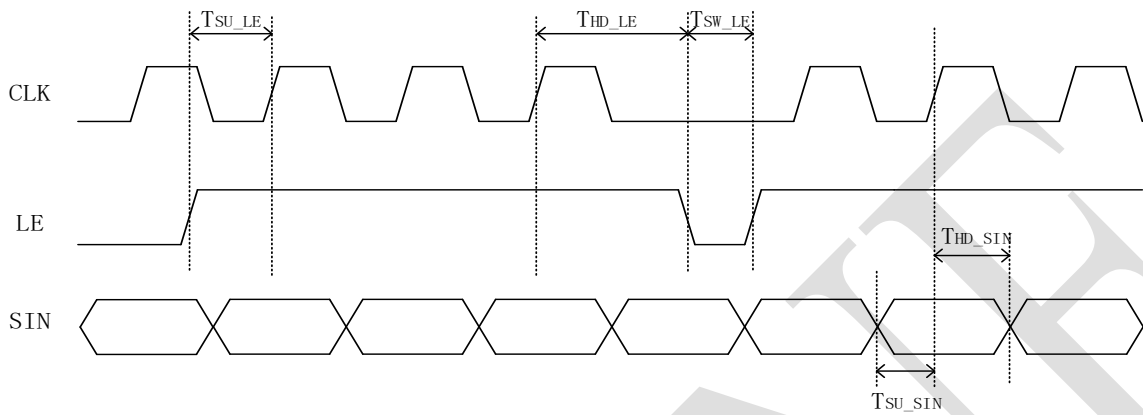
The command parser is a counter of LE length: A different length of LE indicates a different command. Such as a 3bit LE is a “Data Latch” command which indicates that there is a gray scale written in. It will send the 16bit data on shift-register to SRAM.

Control Command

Command Name	Number of DCLK Rising Edge when LE is High	Description
--	1&2	Reserved
DATA_LATCH	3	Transfer Serial data to buffers
--	4~10	Reserved
WR_REG1	11	Write Configuration Register 1
WR_REG2	12	Write Configuration Register 2

Note1: The length of LE is defined as this: How many positive-edges of DCLK when LE stays logic “1”. For example, the first pulse of LE in the next figure is show a length of 3, which is a “Data Latch” command.

LE waveforms

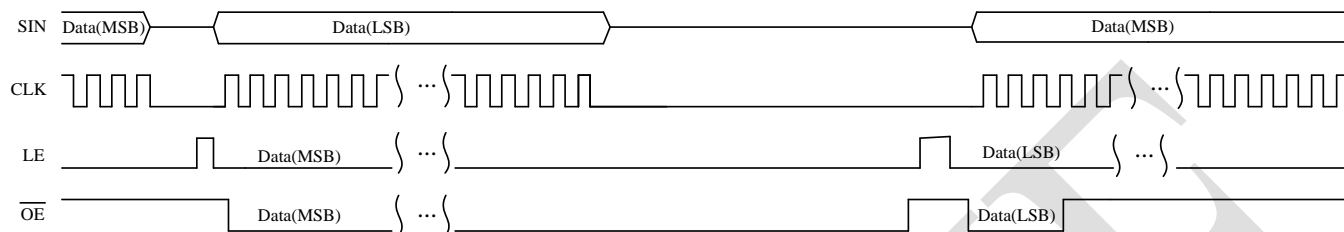


Hold time

Name	MIN	Note
T_{su_LE}	7ns	
T_{hd_LE}	7ns	
T_{sw_LE}	10ns	
T_{su_SDI}	3ns	
T_{hd_SDI}	3ns	

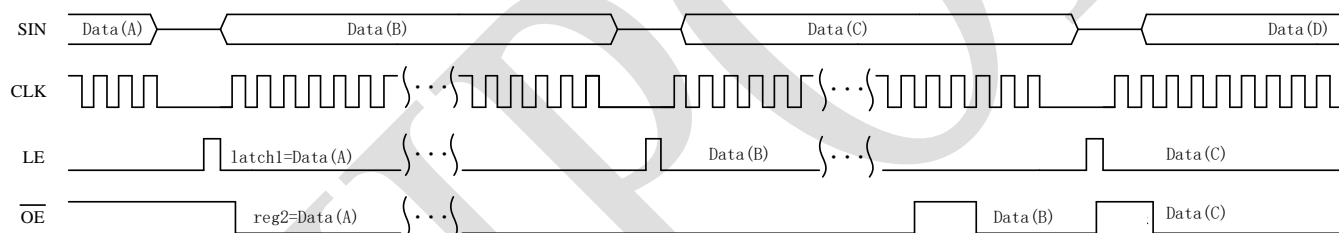
Dual Latch for higher refresh rate

Usual constant current LED sink driver timing diagrams



1. When display a high bit data, display time may far longer than data transfer time, next data transfer should wait display over.
2. When display a low bit data, display time may far shorter than data transfer time, next display should wait data transfer over.

ICN2038S dual latch timing diagrams



ICN2038S dual latch timing diagrams, data (A) and data (C) are high bit data, data (B) and data (D) are low bit data. Use the free time of display to transfer data could get higher refresh rate.

1. After data(A) transfer over, LE provide a latch signal, latch data(A)
2. After data(A) latched, \overline{OE} from 1 to 0, display data(A)
3. When display data(A), transfer data(B)
4. After data(B) transfer over, LE provide a latch signal, latch data(B), then transfer data(C)
5. After data(A) displayed, latch data(B) and display data(B)
6. After data(A) transfer over, finish display data(B)
7. Latch data(C) and transfer data(D)

Maximum Ratings ($T_a = 25^\circ\text{C}$)

Characteristics		Symbol	Rating	Unit
Supply Voltage		V_{DD}	0~7	V
Output Current		I_o	45	mA
Input Voltage		V_{IN}	$-0.4 \sim V_{DD} + 0.4$	V
Output voltage		V_{OUT}	11V	
Clock Frequency		F_{CLK}	30	MHz
GND Terminal Current		I_{GND}	+1000	mA
Power Dissipation (On PCB, 25°C)	DN-type	P_D	3.19	W
Thermal Resistance	DN-type	$R_{th(j-a)}$	39.15	°C/W
Operating Temperature		T_{opr}	-40 ~ 85	°C
Storage Temperature		T_{stg}	-55 ~ 150	°C

DC Items (Unless otherwise specified, $T_a = -40^\circ\text{C} \sim 85^\circ\text{C}$)

Characteristics	Symbol	Test Conditions	Min	Typ	Max	Unit
Power Supply Voltage	V_{DD}	-	3.3	5	6.0	V
Output Voltage when ON	$V_{O(ON)}$	\overline{OUTn}	0.6	-	4	V
High level logic input voltage	V_{IH}	-	$0.7 * V_{DD}$	-	V_{DD}	V
Low level logic input voltage	V_{IL}	-	GND	-	$0.3 * V_{DD}$	V
SOUT high level output Current	I_{OH}	$V_{DD}=5V$	-	-	-1	mA
SOUT low level output Current	I_{OL}	$V_{DD}=5V$	-	-	1	mA
Constant current output	I_o	\overline{OUTn}	0.5	-	45	mA

Transition Items (Unless otherwise specified, $V_{DD}=4.5\sim 5.5V$, $T_a = -40^{\circ}C \sim 85^{\circ}C$)

Characteristics	Symbol	Test circuit	Test Conditions	Min	Typ	Max	Unit
Serial data transfer frequency	F_{CLK}	6	-	-	-	30	MHz
Clock pulse width	t_{wCLK}	6	SCK=H or L	20	-	-	ns
Latch pulse width	t_{wLE}	6	LE=H	20	-	-	ns
Enable pulse width	t_{wOE}	6	$\overline{OE}=H$ or L, $R_{EXT}=890\Omega$	40	-	-	ns
Hold time	t_{HOLD1}	6	-	5	-	-	ns
	t_{HOLD2}	6	-	5	-	-	ns
Setup time	t_{SETUP1}	6	-	5	-	-	ns
	t_{SETUP2}	6	-	5	-	-	ns
Maximum clock rise time	t_r	6	-	-	-	500	ns
Maximum clock fall time	t_f	6	-	-	-	500	ns

Electrical Characteristics (Unless otherwise specified, $V_{DD} = 4.5\sim 5.5V$, $T_a = 25^{\circ}C$)

Characteristics	Symbol	Test circuit	Test Conditions	Min	Typ	Max	Unit
High level logic output voltage	V_{OH}	1	$I_{OH}=-1mA$, SOUT	$V_{DD}-0.4$	-	V_{DD}	V
Low level logic output voltage	V_{OL}	1	$I_{OH}=+1mA$, SOUT	-	-	0.4	V
High level logic input current	I_{IH}	2	$V_{IN}=V_{DD}$, \overline{OE} , SIN, CLK	-	-	1	μA
Low level logic input circuit	I_{IL}	3	$V_{IN}=GND$, LE, SIN, CLK	-	-	-1	μA
Power supply current	I_{DD1}	4	$R_{EXT}=0open$, OUT off	-	2.7	5.8	mA
	I_{DD2}	4	$R_{EXT}=1.24k\Omega$, OUT off	-	4.8	7.3	mA
	I_{DD3}	4	$R_{EXT}=620\Omega$, OUT off	-	6.3	9.2	mA
	I_{DD4}	4	$R_{EXT}=1.24k\Omega$, OUT on	-	5.5	8.7	mA
	I_{DD5}	4	$R_{EXT}=620\Omega$, OUT on	-	6.6	9.7	mA
Constant current output	I_{O1}	5	$V_{DD}=5.0V$, $V_O=1.0V$, $R_{EXT}=1.23k\Omega$	-	15	-	mA
	I_{O2}	5	$V_{DD}=5.0V$, $V_O=1.0V$, $R_{EXT}=615\Omega$	-	30	-	mA
Constant current error	ΔI_O	5	$V_{DD}=5.0V$, $V_O=1.0V$, $R_{EXT}=1.23k\Omega$, $OUT0 \sim OUT15$	-	± 0.15	± 0.37	mA
Constant current power supply voltage regulation	$\%V_{DD}$	5	$V_{DD}=4.5 \sim 5.5V$, $V_O=1.0V$, $R_{EXT}=1.24k\Omega$, $OUT0 \sim OUT15$	-	± 0.2	-	$\%/V$
Constant current output voltage regulation	$\%V_{OUT}$	5	$V_{DD}=5.0V$, $V_O=1.0 \sim 3.0V$, $R_{EXT}=1.24k\Omega$, $OUT0 \sim OUT15$	-	± 0.1	-	$\%/V$

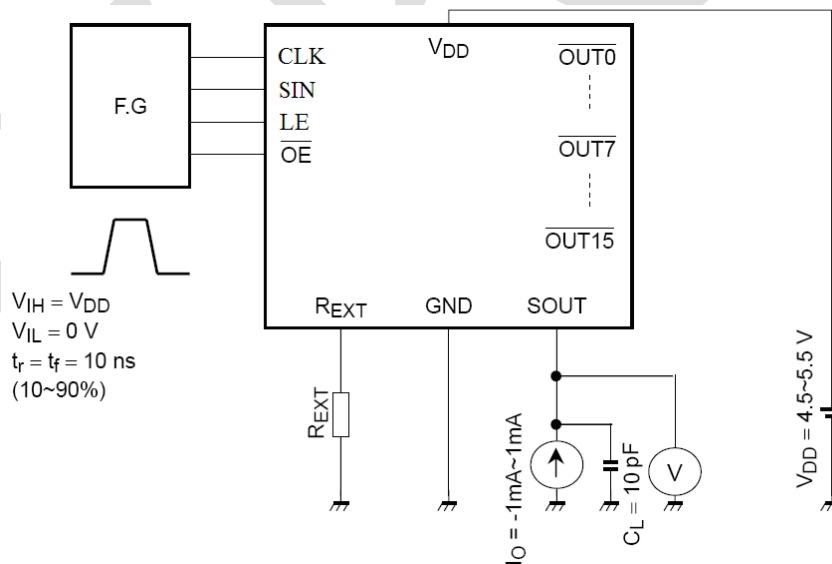
Pull-up resistor	R_{UP}	3	\overline{OE}	250	500	800	k Ω
Pull-down resistor	R_{DOWN}	2	LE	250	500	800	k Ω

Switching Characteristics (Unless otherwise specified, $T_a = 25^\circ\text{C}$, $V_{DD} = 5.0\text{V}$)

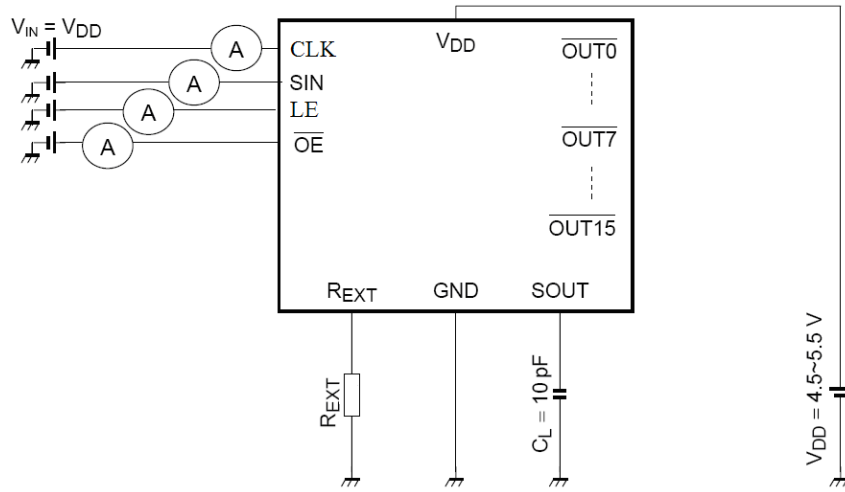
Characteristics	Symbol	Test circuit	Test conditions	Min	Typ	Max	Unit	
Propagation delay time	$\overline{OE} - \overline{OUT0}$	t_{pLH3}	6	LE=H	-	22	26	ns
	$\overline{OE} - \overline{OUT1}$	t_{pHL3}	6	LE=H	-	22	25	
	CLK-SOUT	t_{pHL}	6	-	-	26	30	
Output rise time	t_{or}	6	10~90% of voltage waveform	-	25	28	ns	
Output fall time	t_{of}	6	90~10% voltage waveform	-	33	37	ns	

Test Circuit

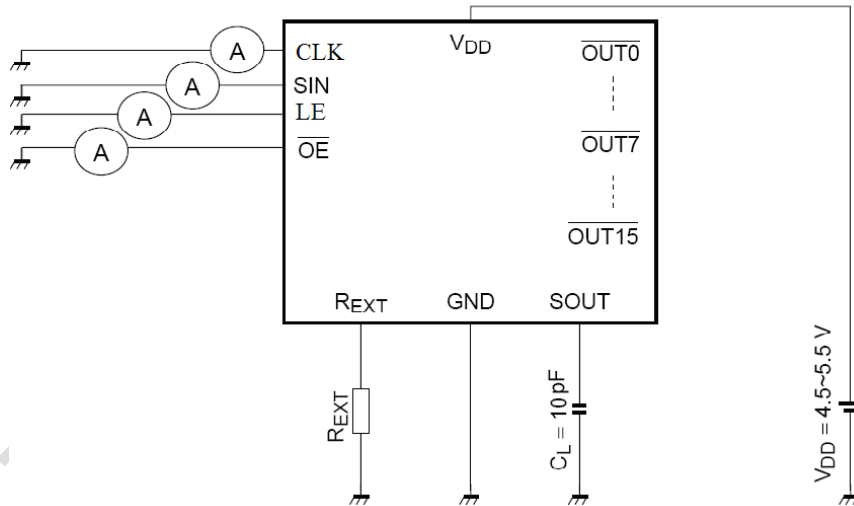
Test Circuit1: High level logic input voltage/Low level logic input voltage



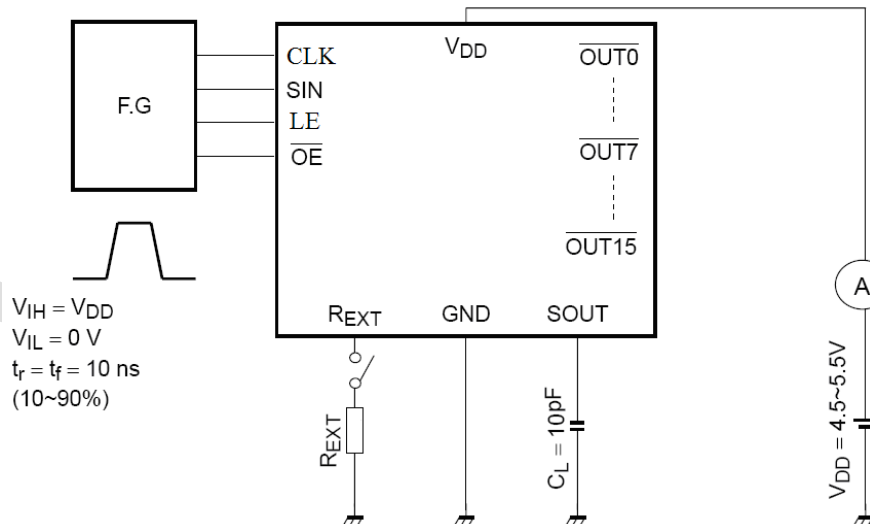
Test Circuit2: High level logic input current/Pull-down resistor



Test Circuit3: Low level logic input current/Pull-up resistor

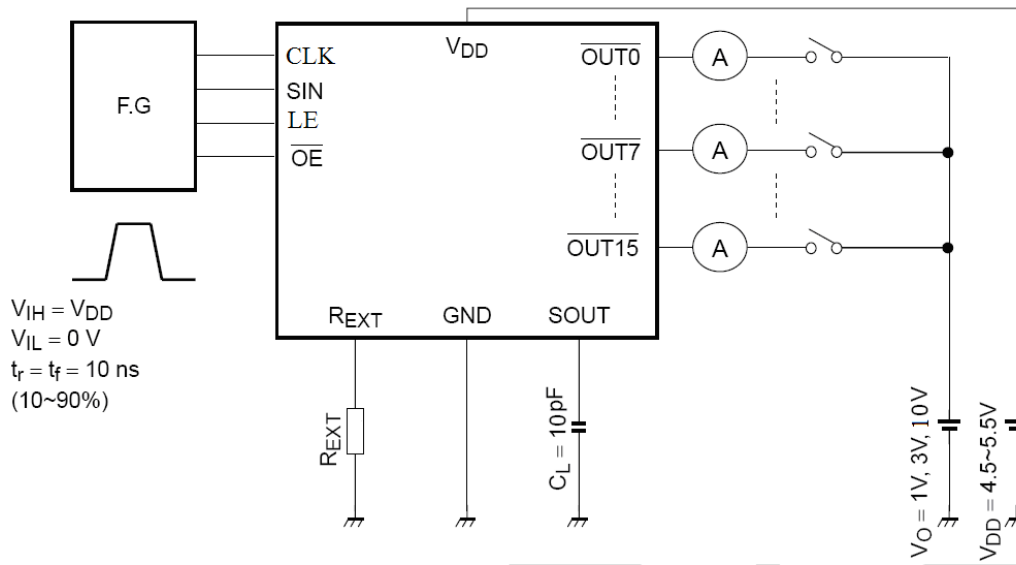


Test Circuit4: Power supply current

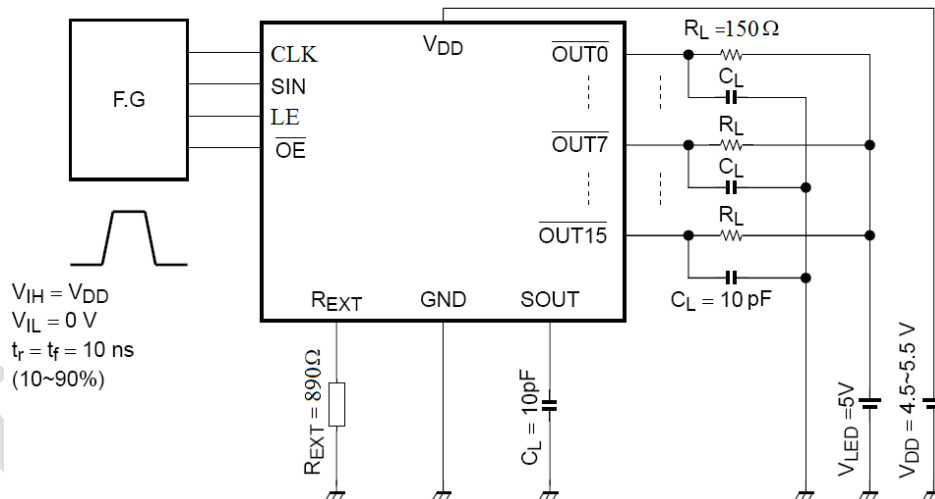


Test Circuit5: Constant current output/Output OFF leak current/Constant current error

Constant current power supply voltage regulation/Constant current output voltage regulation

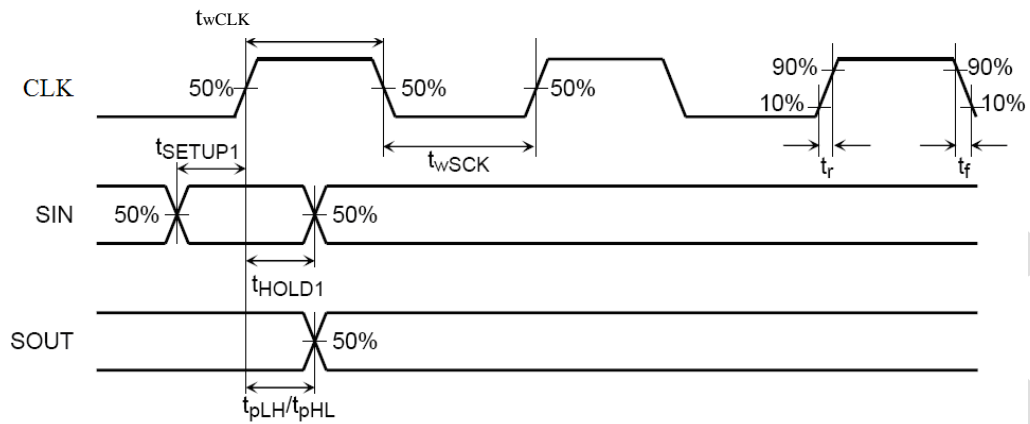


Test Circuit6: Switching Characteristics

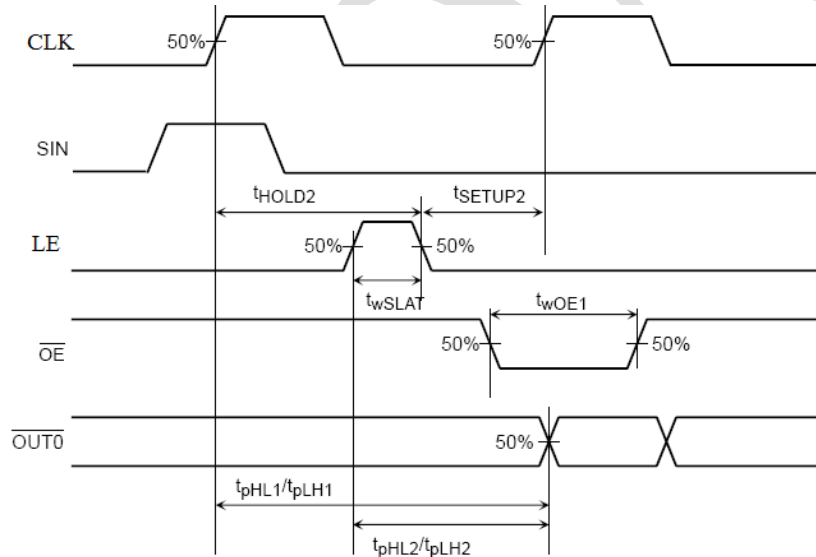


Timing Waveforms

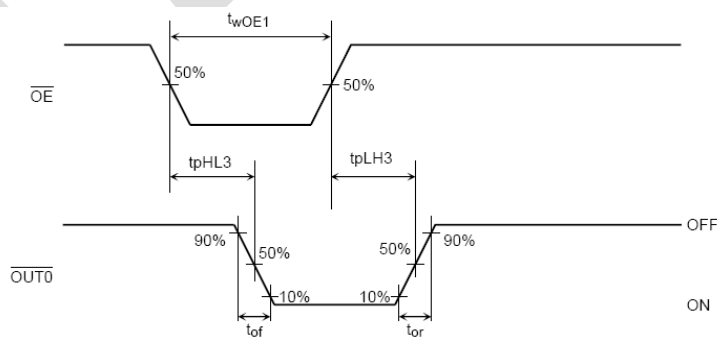
1. CLK, SIN, SOUT



2. CLK, SIN, LE, \overline{OE} , $\overline{OUT0}$



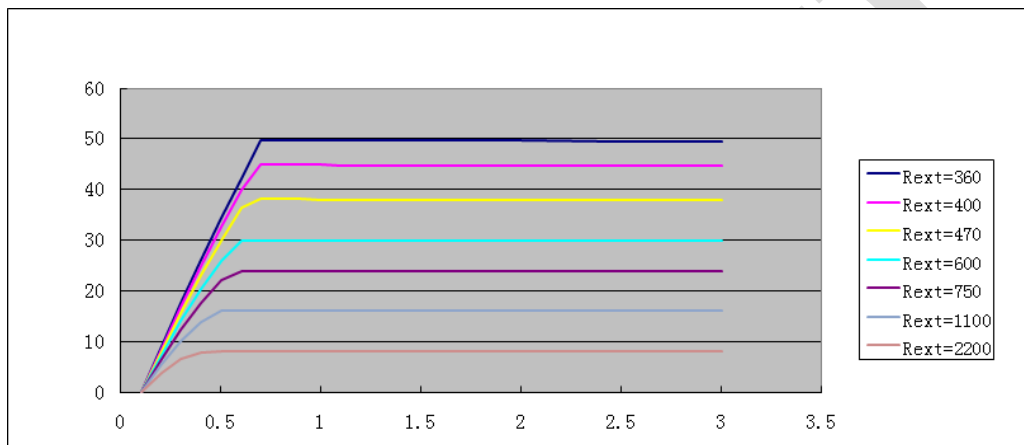
3. $\overline{OUT0}$



Application Information

ICN2038S exploits current precision controlling technology, and provides nearly no current variations from channel to channel and from IC to IC.

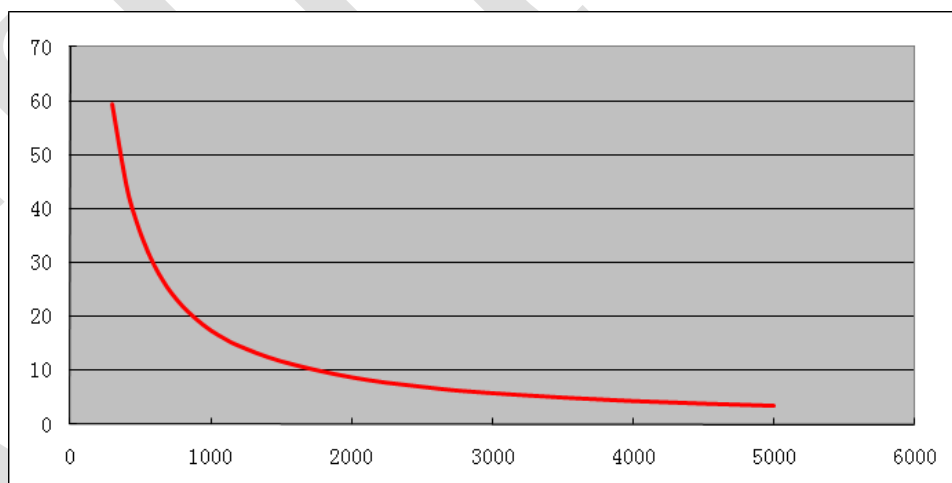
- 1) The maximum current variation between channels is less than $\pm 2.0\%$, and that between ICs $< \pm 2.0\%$.
- 2) The current characteristic of output stage is flat, and can be kept constant regardless of the variations of LED forward voltage.



Setting Output Current

The output current (I_{out}) of ICN2038S is set by an external resistor, R_{ext} . The relationship between I_{out} and R_{ext} is

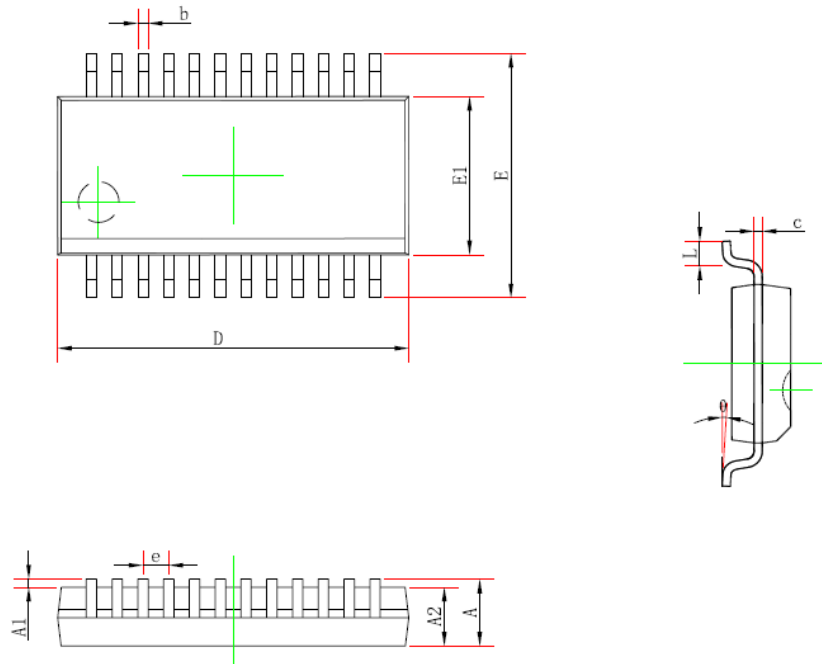
$$I_{out} = (V_{R-EXT} / R_{ext}) * 15 \quad (\text{Gain} = 100\%) \quad V_{R-EXT} = 1.24V;$$



Package Outline

(1) SSOP24-P-150-0.64

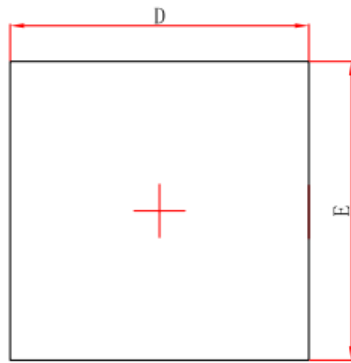
SSOP24 (150mil) PACKAGE OUTLINE DIMENSIONS



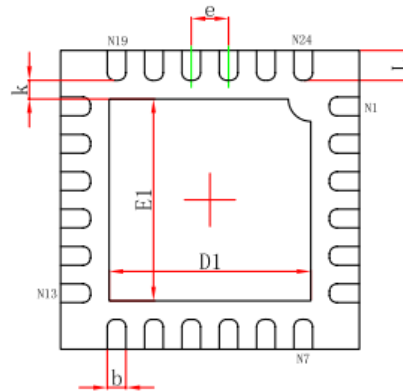
Symbol	Dimensions In Millimeters		Dimensions In Inches	
	Min	Max	Min	Max
A	—	1.750	—	0.069
A1	0.100	0.250	0.004	0.010
A2	1.250	—	0.049	—
b	0.203	0.305	0.008	0.012
c	0.102	0.254	0.004	0.010
D	8.450	8.850	0.333	0.348
E1	3.800	4.000	0.150	0.157
E	5.800	6.200	0.228	0.244
e	0.635 (BSC)		0.025 (BSC)	
L	0.400	1.270	0.016	0.050
θ	0°	8°	0°	8°

(2) QFN24-4*4-0.5

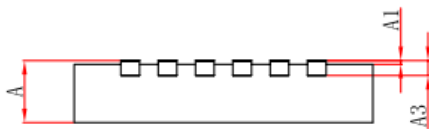
QFNWB4×4-24L (P0.50T0.75/0.85) PACKAGE OUTLINE DIMENSIONS



Top View



Bottom View



Side View

Symbol	Dimensions In Millimeters		Dimensions In Inches	
	Min.	Max.	Min.	Max.
A	0.700/0.800	0.800/0.900	0.028/0.031	0.031/0.035
A1	0.000	0.050	0.000	0.002
A3	0.203REF.		0.008REF.	
D	3.924	4.076	0.154	0.160
E	3.924	4.076	0.154	0.160
D1	2.600	2.800	0.102	0.110
E1	2.600	2.800	0.102	0.110
k	0.200MIN.		0.008MIN.	
b	0.200	0.300	0.008	0.012
e	0.500TYP.		0.020TYP.	
L	0.324	0.476	0.013	0.019

Product Ordering Information

Product number	Package (Pb-Free)	Weight (mg)
ICN2038S	SSOP24-P-150-0.635	130
ICND2038SFN-01	QFN24-4*4-0.5	38

Important information

Chipone Technology (Beijing) Co., Ltd. (Chipone) reserves the right to make changes to their products or to discontinue any product or service without notice, and advise customers to obtain the latest version of relevant information to verify, before placing orders, that information being relied on is current and complete. All products are sold subject to the terms and conditions of sale supplied at the time of order acknowledgement, including those pertaining to warranty, patent infringement, and limitation of liability.

Chipone warrants performance of its semiconductor products to the specifications applicable at the time of sale in accordance with Chipone's standard warranty. Testing and other quality control techniques are utilized to the extent Chipone deems necessary to support this warranty. Specific testing of all parameters of each device is not necessarily performed, except those mandated by government requirements.

CERTAIN APPLICATIONS USING SEMICONDUCTOR PRODUCTS MAY INVOLVE POTENTIAL RISKS OF DEATH, PERSONAL INJURY, OR SEVERE PROPERTY OR ENVIRONMENTAL DAMAGE (“CRITICAL APPLICATIONS”). CHIPONE SEMICONDUCTOR PRODUCTS ARE NOT DESIGNED, AUTHORIZED, OR WARRANTED TO BE SUITABLE FOR USE IN LIFE-SUPPORT DEVICES OR SYSTEMS OR OTHER CRITICAL APPLICATIONS. INCLUSION OF CHIPONE PRODUCTS IN SUCH APPLICATIONS IS UNDERSTOOD TO BE FULLY AT THE CUSTOMER’S RISK.

In order to minimize risks associated with the customer's applications, adequate design and operating safeguards must be provided by the customer to minimize inherent or procedural hazards.

Chipone assumes no liability for applications assistance or customer product design. Chipone does not warrant or represent that any license, either express or implied, is granted under any patent right, copyright, mask work right, or other intellectual property right of Chipone covering or relating to any combination, machine, or process in which such semiconductor products or services might be or are used. Chipone's publication of information regarding any third party's products or services does not constitute Chipone's approval, warranty or endorsement thereof.

Copyright ©2015, Chipone Technology (Beijing) Co., Ltd.