



## ICPL2530, ICPL2531

### DESCRIPTION

The ICPL2530 and ICPL2531 dual channel devices each consists of an infrared emitting diode optically coupled to a high speed photo detector transistor. A separate connection for the photodiode bias and output transistor collector increases the speed by several orders of magnitude over conventional phototransistor couplers by reducing the base-collector capacitance.

### FEATURES

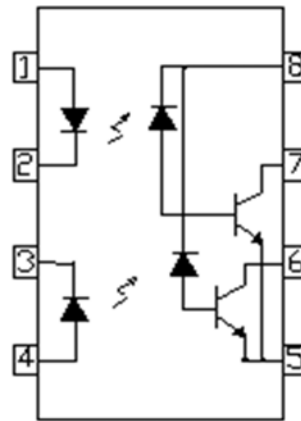
- High Speed 1Mbit/s
- High AC Isolation Voltage 5000V<sub>RMS</sub>
- Guaranteed Performance from 0°C to 70°C
- Wide Operating Temperature Range -40°C to 100 °C
- Pb Free and RoHS Compliant
- Safety Approvals Pending

### APPLICATIONS

- Line Receivers
- Telecommunication Equipment
- Power Transistor Isolation in Motor Drives
- Replacement of Low Speed Phototransistor Optocouplers
- High Speed Logic Ground Isolation

### ORDER INFORMATION

- Add G after PN for 10mm lead spacing
- Add SM after PN for Surface Mount
- Add SMT&R after PN for Surface Mount Tape & Reel



1. Anode
2. Cathode
3. Cathode
4. Anode
5. Gnd
6. Vout2
7. Vout1
8. Vcc

### ABSOLUTE MAXIMUM RATINGS

#### Input Diode

Forward Current	25mA
Peak Forward Current (50% duty cycle 1ms pulse width)	50mA
Peak Transient Current (≤ 1μs pulse width, 300pps)	1A
Reverse Voltage	5V
Power dissipation	45mW

#### Output

Average Output Current	8mA
Peak Output Current	16mA
Output Voltage	-0.5 to 20V
Supply Voltage	-0.5 to 30V
Power Dissipation	35mW

#### Total Package

Isolation Voltage	5000V <sub>RMS</sub>
Operating Temperature	-40 to 100 °C
Storage Temperature	-55 to 125 °C
Lead Soldering Temperature (10s)	260°C

#### ISOCOM COMPONENTS 2004 LTD

Unit 25B, Park View Road West, Park View Industrial Estate  
Hartlepool, Cleveland, TS25 1UD, United Kingdom  
Tel: +44 (0)1429 863 609 Fax : +44 (0)1429 863 581  
e-mail: sales@isocom.co.uk  
<http://www.isocom.com>

#### ISOCOM COMPONENTS ASIA LTD

Hong Kong Office,  
Block A, 8/F, Wah Hing Industrial mansion,  
36 Tai Yau Street, San Po Kong, Kowloon, Hong Kong.  
Tel: +852 2995 9217 Fax : +852 8161 6292  
e-mail sales@isocom.com.hk



## ICPL2530, ICPL2531

### ELECTRICAL CHARACTERISTICS

#### INPUT ( $T_A = 0^\circ\text{C}$ to $70^\circ\text{C}$ unless otherwise specified)

Parameter	Symbol	Test Condition	Min	Typ.*	Max	Unit
Forward Voltage	$V_F$	$I_F = 16\text{mA}$ , $T_A = 25^\circ\text{C}$		1.45	1.8	V
Reverse Voltage	$V_R$	$I_R = 10\mu\text{A}$	5.0			V
Temperature Coefficient	$V_F/T_A$	$I_F = 16\text{mA}$		-1.9		mV/ $^\circ\text{C}$
Input Capacitance	$C_{IN}$	$V_F = 0\text{V}$ , $f = 1\text{MHz}$		60		pF

#### OUTPUT ( $T_A = 0^\circ\text{C}$ to $70^\circ\text{C}$ unless otherwise specified)

Parameter	Symbol	Test Condition	Min	Typ.*	Max	Unit
Logic High Output Current	$I_{OH}$	$I_F = 0\text{mA}$ , $V_O = V_{CC} = 5.5\text{V}$ , $T_A = 25^\circ\text{C}$		0.001	0.5	$\mu\text{A}$
		$I_F = 0\text{mA}$ , $V_O = V_{CC} = 15\text{V}$ , $T_A = 25^\circ\text{C}$			50	
Logic Low Supply Current	$I_{CCL}$	$I_{F1} = I_{F2} = 16\text{mA}$ , $V_O = \text{Open}$ , $V_{CC} = 15\text{V}$		140	400	$\mu\text{A}$
Logic High Supply Current	$I_{CCH}$	$I_F = 0\text{mA}$ , $V_O = \text{Open}$ $V_{CC} = 15\text{V}$ , $T_A = 25^\circ\text{C}$		0.01	1	$\mu\text{A}$
		$I_F = 0\text{mA}$ , $V_O = \text{Open}$ $V_{CC} = 15\text{V}$			4	

\* Typical Values at  $T_A = 25^\circ\text{C}$



**ICPL2530, ICPL2531**

**ELECTRICAL CHARACTERISTICS**

**COUPLED ( $T_A = 0^\circ\text{C}$  to  $70^\circ\text{C}$  unless otherwise specified)**

Parameter	Symbol	Test Condition	Min	Typ.*	Max	Unit	
Current Transfer Ratio	CTR	ICPL2530 ICPL2531 $I_F = 16\text{mA}$ , $V_O = 0.4\text{V}$ $V_{CC} = 4.5\text{V}$ , $T_A = 25^\circ\text{C}$	7 19		50 50	%	
		ICPL2530 ICPL2531 $I_F = 16\text{mA}$ , $V_O = 0.5\text{V}$ $V_{CC} = 4.5\text{V}$	5 15			%	
Logic Low Output Voltage	$V_{OL}$	ICPL2530 $I_F = 16\text{mA}$ , $I_O = 1.1\text{mA}$ $V_{CC} = 4.5\text{V}$ , $T_A = 25^\circ\text{C}$		0.18	0.5	V	
		ICPL2531 $I_F = 16\text{mA}$ , $I_O = 3\text{mA}$ $V_{CC} = 4.5\text{V}$ , $T_A = 25^\circ\text{C}$		0.25	0.5	V	
		ICPL2530 $I_F = 16\text{mA}$ , $I_O = 0.8\text{mA}$ $V_{CC} = 4.5\text{V}$				0.5	V
		ICPL2531 $I_F = 16\text{mA}$ , $I_O = 2.4\text{mA}$ $V_{CC} = 4.5\text{V}$				0.5	V

\* Typical Values at  $T_A = 25^\circ\text{C}$



## ICPL2530, ICPL2531

### ELECTRICAL CHARACTERISTICS

#### Switching Characteristics

( $T_A = 0^\circ\text{C}$  to  $70^\circ\text{C}$ ,  $V_{CC} = 5\text{V}$ ,  $I_F = 16\text{mA}$  unless otherwise specified)

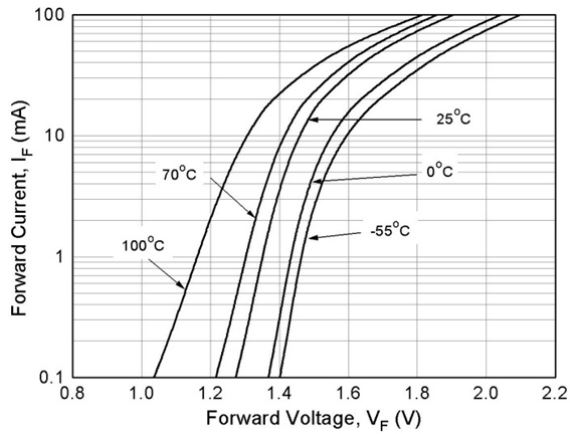
Parameter	Symbol	Test Condition	Min	Typ.*	Max	Unit
Propagation Delay Time to Logic Low	$t_{PHL}$	ICPL2530 $R_L = 4.1\text{k}\Omega$ , $T_A = 25^\circ\text{C}$ $R_L = 4.1\text{k}\Omega$		0.35	1.5 2.0	$\mu\text{s}$
		ICPL2531 $R_L = 1.9\text{k}\Omega$ , $T_A = 25^\circ\text{C}$ $R_L = 1.9\text{k}\Omega$		0.35	0.8 1.0	
Propagation Delay Time to Logic High	$t_{PLH}$	ICPL2530 $R_L = 4.1\text{k}\Omega$ , $T_A = 25^\circ\text{C}$ $R_L = 4.1\text{k}\Omega$		0.5	1.5 2.0	$\mu\text{s}$
		ICPL2531 $R_L = 1.9\text{k}\Omega$ , $T_A = 25^\circ\text{C}$ $R_L = 1.9\text{k}\Omega$		0.3	0.8 1.0	
Common Mode Tran- sient Immunity at Logic High	$CM_H$	ICPL2530 $I_F = 0\text{mA}$ , $V_{CM} = 10\text{Vp-p}$ , $R_L = 4.1\text{k}\Omega$ , $T_A = 25^\circ\text{C}$	1000	10000		$\text{V}/\mu\text{s}$
		ICPL2531 $I_F = 0\text{mA}$ , $V_{CM} = 1000\text{Vp-p}$ , $R_L = 1.9\text{k}\Omega$ , $T_A = 25^\circ\text{C}$	1000	10000		$\text{V}/\mu\text{s}$
Common Mode Tran- sient Immunity at Logic Low	$CM_L$	ICPL2530 $I_F = 16\text{mA}$ , $V_{CM} = 10\text{Vp-p}$ , $R_L = 4.1\text{k}\Omega$ , $T_A = 25^\circ\text{C}$	1000	10000		$\text{V}/\mu\text{s}$
		ICPL2531 $I_F = 16\text{mA}$ , $V_{CM} = 1000\text{Vp-p}$ , $R_L = 1.9\text{k}\Omega$ , $T_A = 25^\circ\text{C}$	1000	10000		$\text{V}/\mu\text{s}$

#### \* Typical Values at $T_A = 25^\circ\text{C}$

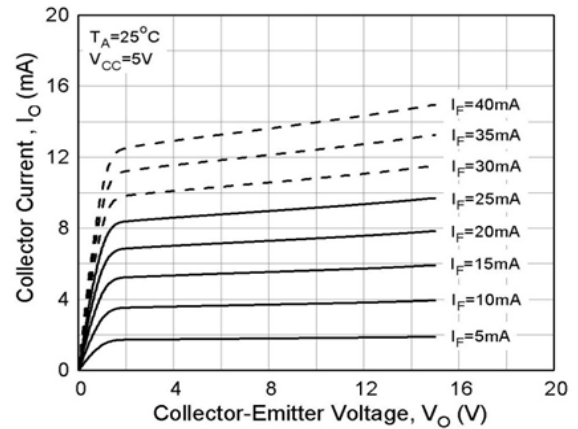
- Common mode transient immunity in logic high level is the maximum tolerable (positive)  $dV_{CM}/dt$  on the leading edge of the common mode pulse signal  $V_{CM}$ , to assure that the output will remain in a logic high state (i.e.  $V_O > 2.0\text{V}$ ).
- Common mode transient immunity in logic low level is the maximum tolerable (negative)  $dV_{CM}/dt$  on the trailing edge of the common mode pulse signal,  $V_{CM}$ , to assure that the output will remain in a logic low state (i.e.  $V_O < 0.8\text{V}$ ).



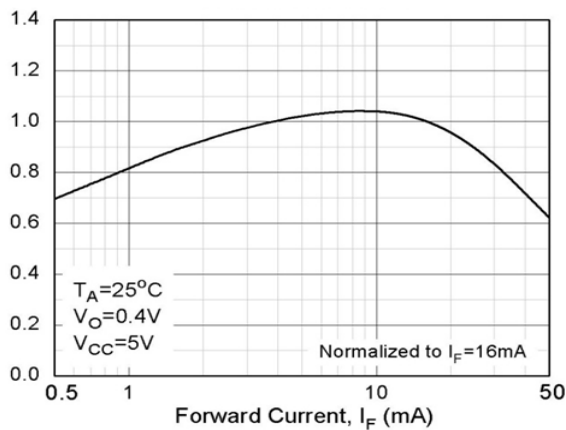
## ICPL2530, ICPL2531



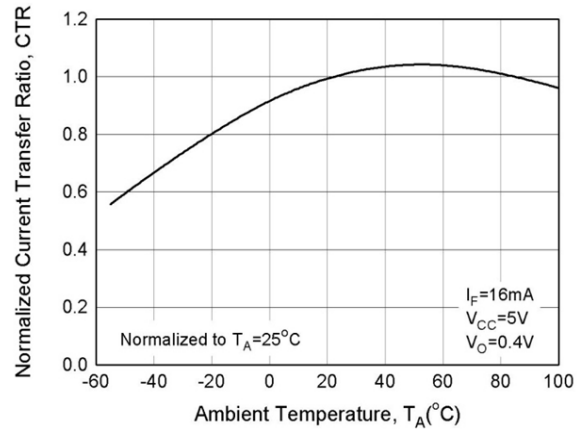
**Fig 1 Forward Current vs Forward Voltage**



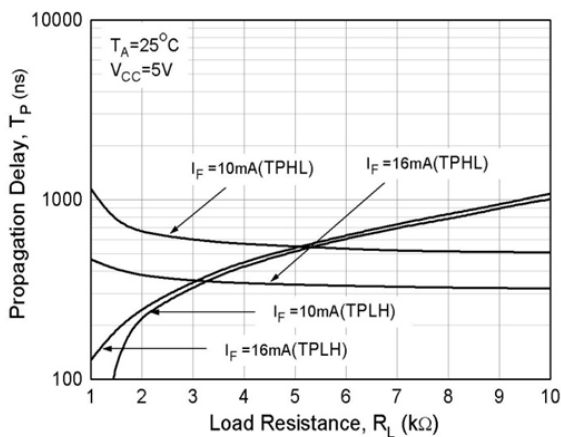
**Fig 2 Output Current vs Output Voltage**



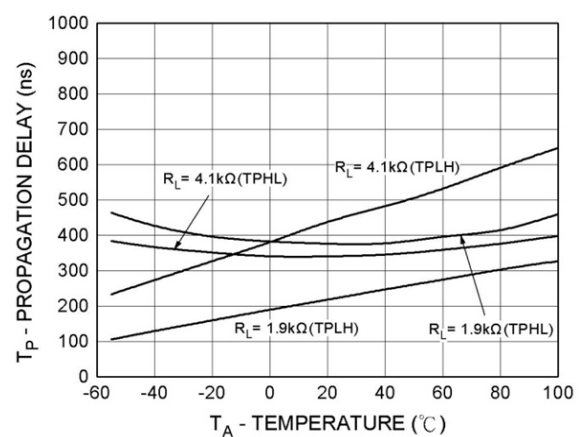
**Fig 3 Normalized CTR vs Forward Current**



**Fig 4 Normalized CTR vs Ambient Temperature**



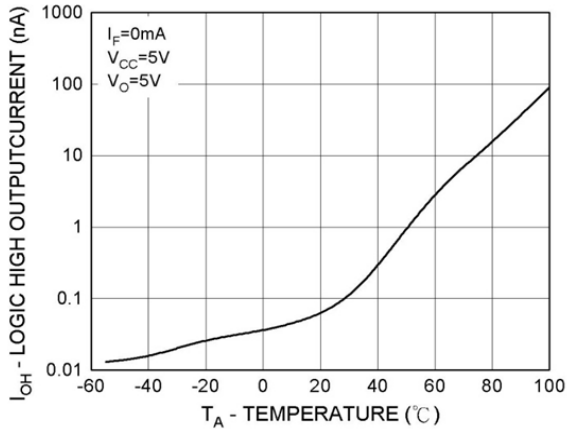
**Fig 5 Propagation Delay vs Load Resistance**



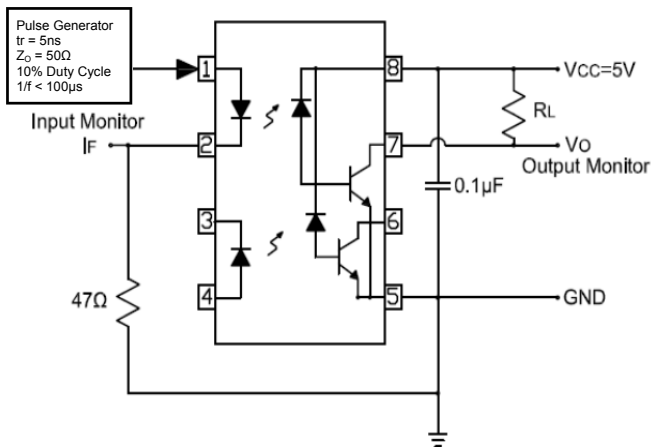
**Fig 6 Propagation Delay vs Ambient Temperature**



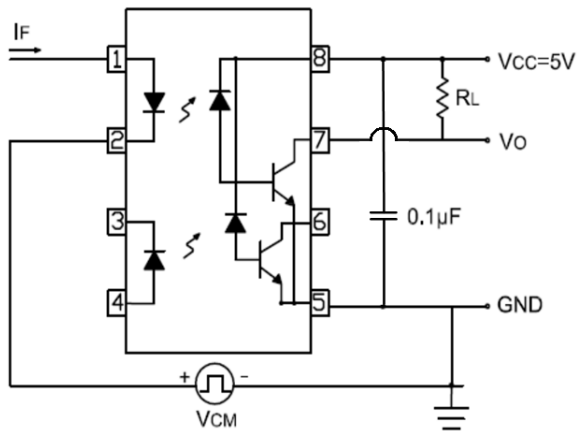
## ICPL2530, ICPL2531



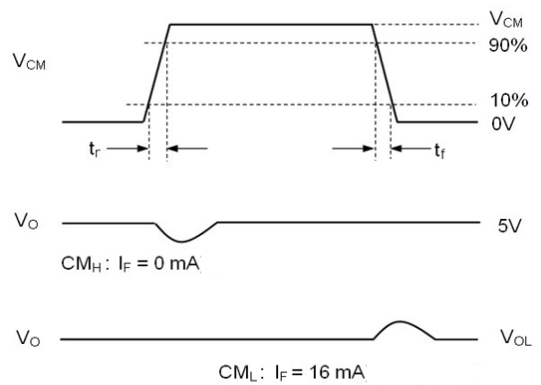
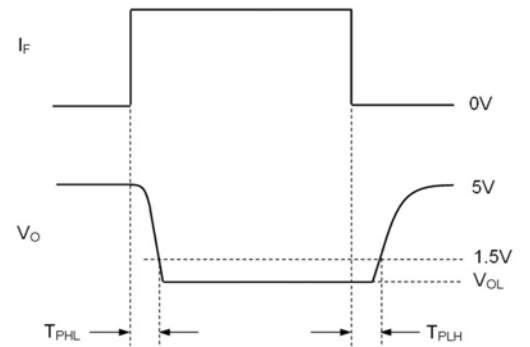
**Fig 7 Logic High Output Current vs  $T_A$**

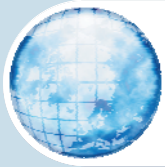


**Fig 8 Switching Time Test Circuit**



**Fig 9 Transient Immunity Test Circuit**





## ICPL2530, ICPL2531

### ORDER INFORMATION

ICPL2530			
After PN	PN	Description	Packing quantity
None	ICPL2530	Standard DIP8	45 pcs per tube
G	ICPL2530G	10mm Lead Spacing	45 pcs per tube
SM	ICPL2530SM	Surface Mount	45 pcs per tube
SMT&R	ICPL2530SMT&R	Surface Mount Tape & Reel	1000 pcs per reel

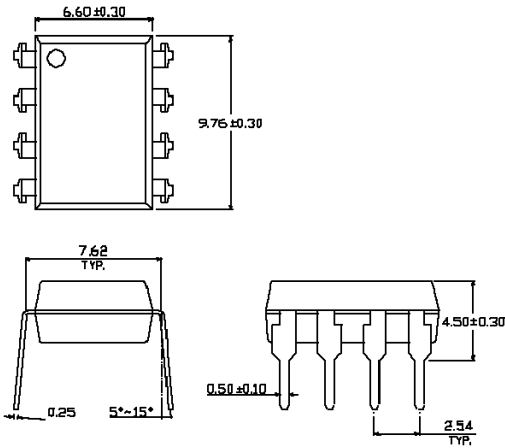
ICPL2531			
After PN	PN	Description	Packing quantity
None	ICPL2531	Standard DIP8	45 pcs per tube
G	ICPL2531G	10mm Lead Spacing	45 pcs per tube
SM	ICPL2531SM	Surface Mount	50 pcs per tube
SMT&R	ICPL2531SMT&R	Surface Mount Tape & Reel	1000 pcs per reel



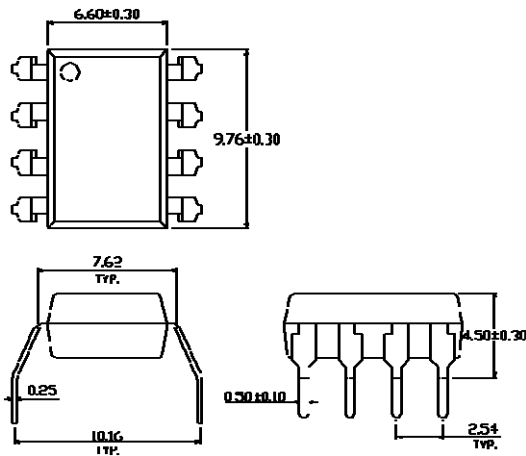
## ICPL2530, ICPL2531

### PACKAGE DIMENSIONS (mm)

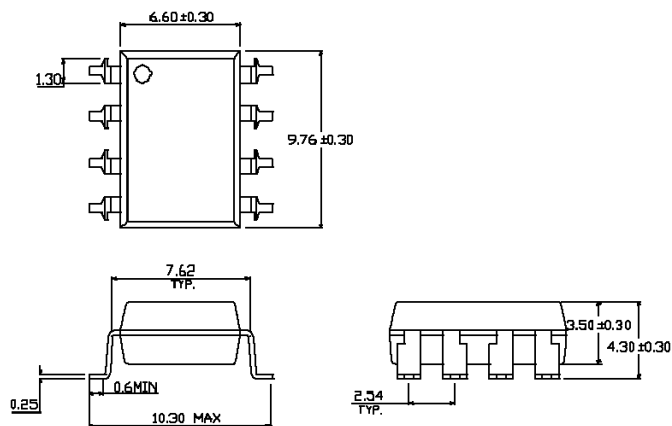
**DIP**



**G FORM**



**SMD**

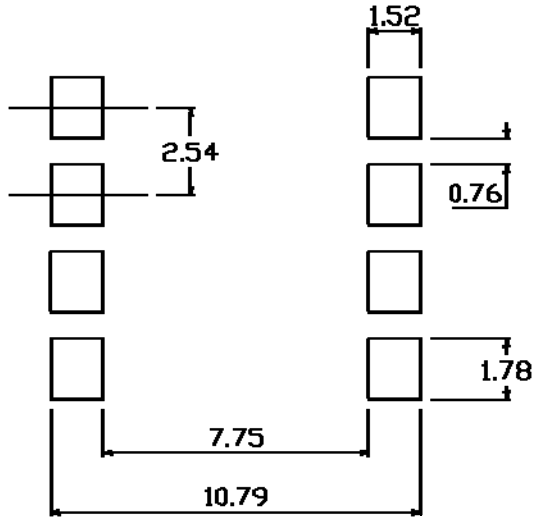




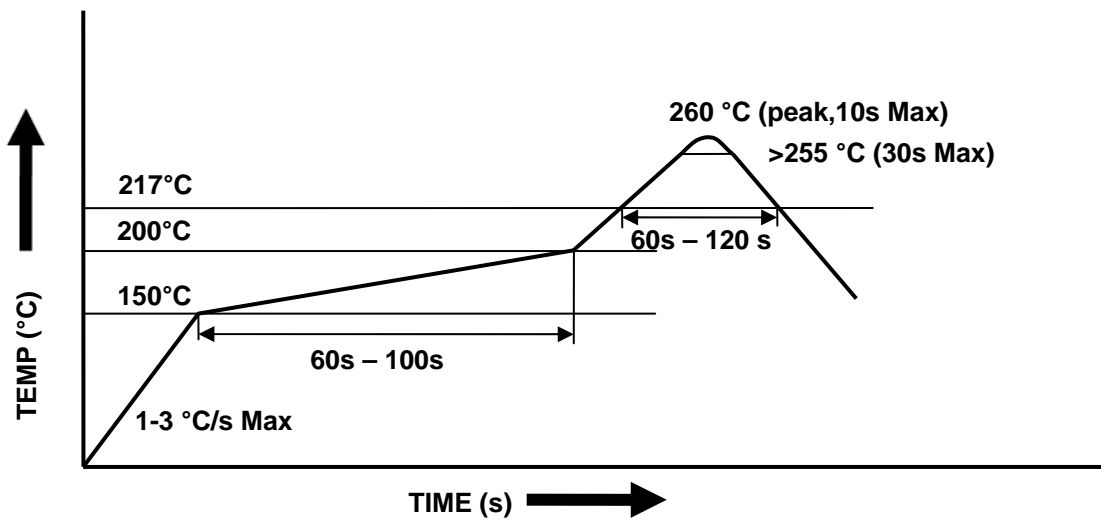


## ICPL2530, ICPL2531

### RECOMMENDED PAD LAYOUT FOR SMD (mm)



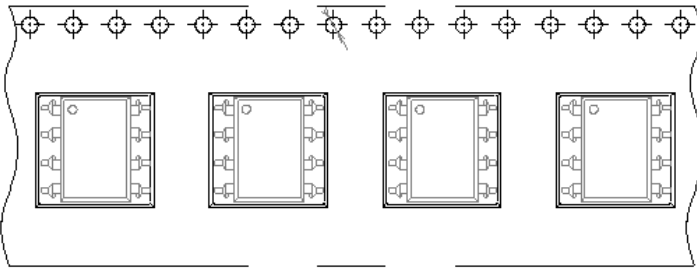
### REFLOW SOLDERING TEMPERATURE PROFILE



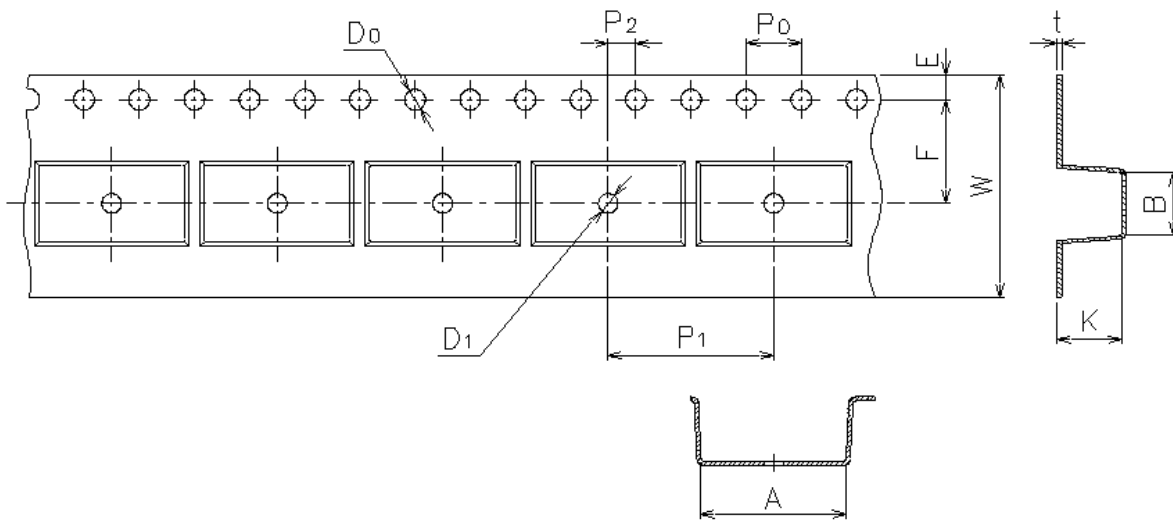


**ICPL2530, ICPL2531**

**TAPE AND REEL PACKAGING**



Direction of feed from reel



Dimension	<b>A</b>	<b>B</b>	<b>D<sub>0</sub></b>	<b>D<sub>1</sub></b>	<b>E</b>	<b>F</b>
(mm)	10.4±0.1	10.0±0.1	1.5±0.1	1.5±0.1	1.75±0.1	7.5±0.1
Dimension	<b>P<sub>0</sub></b>	<b>P<sub>1</sub></b>	<b>P<sub>2</sub></b>	<b>t</b>	<b>W</b>	<b>K</b>
(mm)	4.0±0.1	12.0±0.1	2.0±0.1	0.4±0.1	16.0 +0.3/-0.1	4.5±0.1



**ISOCOM**  
—▶—□—||—  
**COMPONENTS**

## ICPL2530, ICPL2531

### NOTES :

- Isocom is continually improving the quality, reliability, function or design and Isocom reserves the right to make changes without further notices.
- The products shown in this publication are designed for the general use in electronic applications such as office automation equipment, communications devices, audio/visual equipment, electrical application and instrumentation.
- For equipment/application where high reliability or safety is required, such as space applications, nuclear power control equipment, medical equipment, etc., please contact our sales representatives.
- When requiring a device for any "specific" application, please contact our sales for advice.
- The contents described herein are subject to change without prior notice.
- Do not immerse device's body in solder paste.