



## ICPL2630 / ICPL2631

### DESCRIPTION

The ICPL2630 and ICPL2631 dual channel devices each consists of an infrared emitting diode, optically coupled to a high speed integrated photo detector logic gate with a strobable output.

### FEATURES

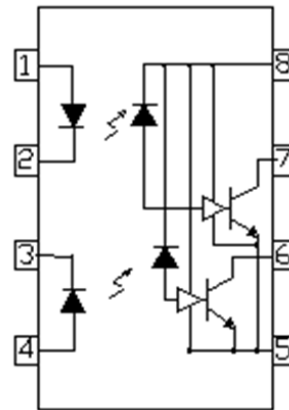
- High speed 10Mbit/s
- 10kV/ $\mu$ s min. Common Mode Transient Immunity (ICPL2631)
- High AC Isolation voltage 5000V<sub>rms</sub>
- Guaranteed performance from -40°C to 85°C
- Wide Operating temperature range 55°C to 125°C
- Logic Gate Output
- RoHS Compliant
- Safety Approvals Pending

### APPLICATIONS

- Line Receivers, Data Transmission
- Ground Loop Elimination
- LSTTL to TTL, LSTTL or 5V CMOS
- Data Multiplexing
- Switch Mode Power Supplies
- Pulse Transformer Replacement
- Computer Peripheral Interface

### ORDER INFORMATION

- Add G after PN for 10mm lead spacing
- Add SM after PN for Surface Mount,
- Add SMT&R after PN for Surface Mount Tape & Reel



1. Anode
2. Cathode
3. Cathode
4. Anode
5. Gnd
6. Vout2
7. Vout1
8. Vcc

### ABSOLUTE MAXIMUM RATINGS

#### Input Diode

Forward Current (each Channel)	20mA
Reverse Voltage	5V
Power dissipation (each Channel)	40mW

#### Output

Output Current (each Channel)	50mA
Output Voltage	7V
Supply Voltage	7V
Power Dissipation	85mW

#### Total Package

Isolation Voltage	5000V <sub>rms</sub>
Operating Temperature	-40 to 100 °C
Storage Temperature	-55 to 125 °C
Power Dissipation	85mW
Lead Soldering Temperature (10s)	260°C

#### ISOCOM COMPONENTS 2004 LTD

Unit 25B, Park View Road West, Park View Industrial Estate  
Hartlepool, Cleveland, TS25 1UD, United Kingdom  
Tel: +44 (0)1429 863 609 Fax : +44 (0)1429 863 581  
e-mail: sales@isocom.co.uk  
<http://www.isocom.com>

#### ISOCOM COMPONENTS ASIA LTD

Hong Kong Office,  
Block A, 8/F, Wah Hing Industrial mansion,  
36 Tai Yau Street, San Po Kong, Kowloon, Hong Kong.  
Tel: +852 2995 9217 Fax : +852 8161 6292  
e-mail: sales@isocom.com.hk



## ICPL2630 / ICPL2631

### Truth Table (Positive Logic)

Input	Output
H	L
L	H

### ELECTRICAL CHARACTERISTICS

#### INPUT ( $T_A = -40^\circ\text{C}$ to $85^\circ\text{C}$ unless otherwise specified)

Parameter	Symbol	Test Condition	Min	Typ.	Max	Unit
Forward Voltage	$V_F$	$I_F = 10\text{mA}$ , $T_A = 25^\circ\text{C}$		1.4	1.8	V
Reverse Voltage	$V_R$	$I_R = 10\mu\text{A}$	5.0			V
Temperature Coefficient	$\Delta V_F / \Delta T_A$	$I_F = 10\text{mA}$		-1.8		mV/ $^\circ\text{C}$
Input Capacitance	$C_{IN}$	$V_F = 0\text{V}$ , $f = 1\text{MHz}$		60		pF

#### OUTPUT ( $T_A = -40^\circ\text{C}$ to $85^\circ\text{C}$ unless otherwise specified)

Parameter	Symbol	Test Condition	Min	Typ.	Max	Unit
High Level Supply Current	$I_{CCH}$	$I_F = 0\text{mA}$ , $V_{CC} = 5.5\text{V}$		12.5	18	mA
Low Level Supply Current	$I_{CCL}$	$I_F = 10\text{mA}$ , $V_{CC} = 5.5\text{V}$		14.5	21	mA

#### COUPLED ( $T_A = -40^\circ\text{C}$ to $85^\circ\text{C}$ unless otherwise specified)

Parameter	Symbol	Test Condition	Min	Typ.	Max	Unit
High Level Output Current	$I_{OH}$	$V_{CC} = 5.5\text{V}$ , $V_O = 5.5\text{V}$ , $I_F = 250\mu\text{A}$		2.1	100	$\mu\text{A}$
Low Level Output Voltage	$V_{OL}$	$V_{CC} = 5.5\text{V}$ , $I_F = 5\text{mA}$ , $I_{CL} = 13\text{mA}$		0.35	0.6	V
Input Threshold Current	$I_{FT}$	$V_{CC} = 5.5\text{V}$ , $V_O = 0.6\text{V}$ , $I_{OL} = 13\text{mA}$		2.5	5	mA



## ICPL2630 / ICPL2631

### ELECTRICAL CHARACTERISTICS

**Switching Characteristics ( $T_A = -40^\circ\text{C}$  to  $85^\circ\text{C}$ ,  $V_{CC} = 5\text{V}$ ,  $I_F = 7.5\text{mA}$  unless otherwise specified)**

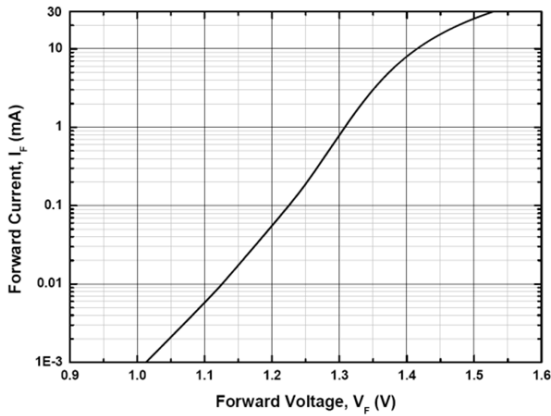
Parameter	Symbol	Test Condition	Min	Typ.	Max	Unit
Propagation Delay Time to Output High Level	$t_{PLH}$	$C_L = 15\text{pF}$ , $R_L = 350\Omega$ , $T_A = 25^\circ\text{C}$		35	100	ns
Propagation Delay Time to Output Low Level	$t_{PHL}$	$C_L = 15\text{pF}$ , $R_L = 350\Omega$ , $T_A = 25^\circ\text{C}$		40	100	ns
Pulse Width Distortion	$ t_{PHL} - t_{PLH} $	$C_L = 15\text{pF}$ , $R_L = 350\Omega$		5	35	ns
Output Rise Time	$t_r$	$C_L = 15\text{pF}$ , $R_L = 350\Omega$		40		ns
Output Fall time	$t_f$	$C_L = 15\text{pF}$ , $R_L = 350\Omega$		10		ns
Common Mode Transient Immunity at Logic High	$CM_H$	ICPL2630 ICPL2631 $I_F = 0\text{mA}$ , $V_{CM} = 1\text{kVp-p}$ , $V_{OH} = 2.0\text{V}$ , $R_L = 350\Omega$ , $T_A = 25^\circ\text{C}$	5000 10000	20000		V/ $\mu\text{s}$
Common Mode Transient Immunity at Logic Low	$CM_L$	ICPL2630 ICPL2631 $I_F = 7.5\text{mA}$ , $V_{CM} = 1\text{kVp-p}$ , $V_{OL} = 0.8\text{V}$ , $R_L = 350\Omega$ , $T_A = 25^\circ\text{C}$	5000 10000	20000		V/ $\mu\text{s}$

**Notes :**

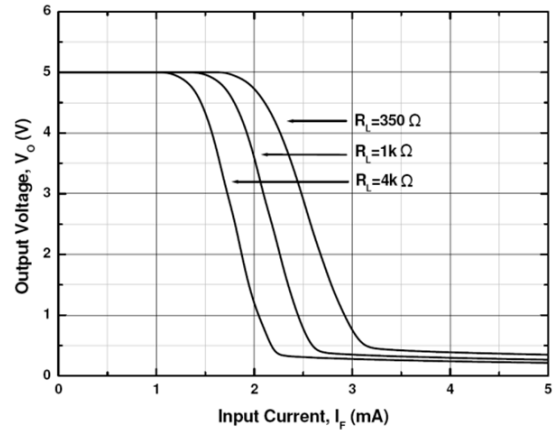
1. The  $V_{CC}$  supply must be bypassed by a  $0.1\mu\text{F}$  capacitor or larger with good high frequency characteristic and should be connected as close as possible to the package  $V_{CC}$  and Gnd pins.
2.  $t_{PLH}$ — Propagation delay is measured from the  $3.75\text{mA}$  level on the HIGH to LOW transition of the input current pulse to the  $1.5\text{V}$  level on the LOW to HIGH transition of the output voltage pulse.
3.  $t_{PHL}$ — Propagation delay is measured from the  $3.75\text{mA}$  level on the LOW to HIGH transition of the input current pulse to the  $1.5\text{V}$  level on the HIGH to LOW transition of the output voltage pulse.
4.  $t_r$ — Rise time is measured from the 10% to the 90% levels on the LOW to HIGH transition of the output pulse.
5.  $t_f$ — Fall time is measured from the 90% to the 10% levels on the HIGH to LOW transition of the output pulse.
6.  $CM_H$ — The maximum tolerable rate of rise of the common mode voltage to ensure the output will remain in the HIGH state (i.e.,  $V_{OUT} > 2.0\text{V}$ ).
7.  $CM_L$ — The maximum tolerable rate of rise of the common mode voltage to ensure the output will remain in the LOW output state (i.e.,  $V_{OUT} < 0.8\text{V}$ ).



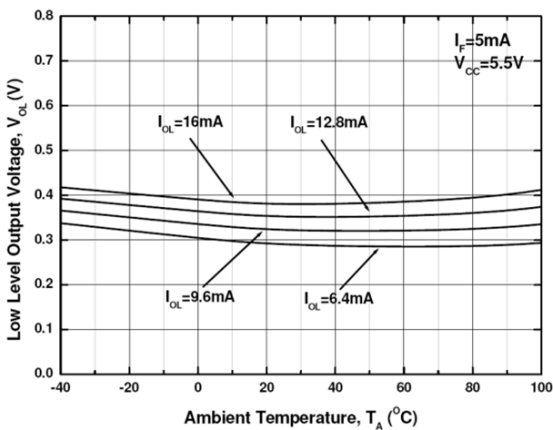
**ICPL2630 / ICPL2631**



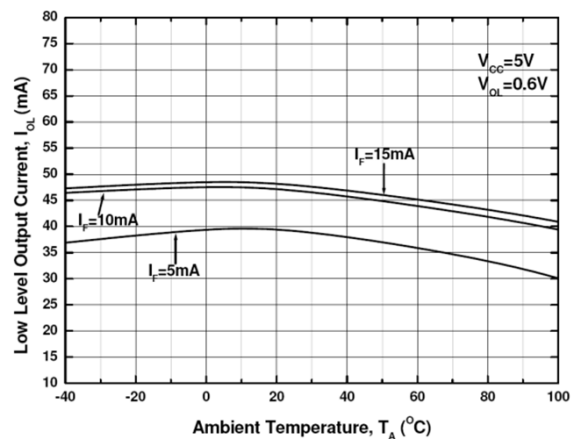
**Fig 1 Forward Current vs Forward Voltage**



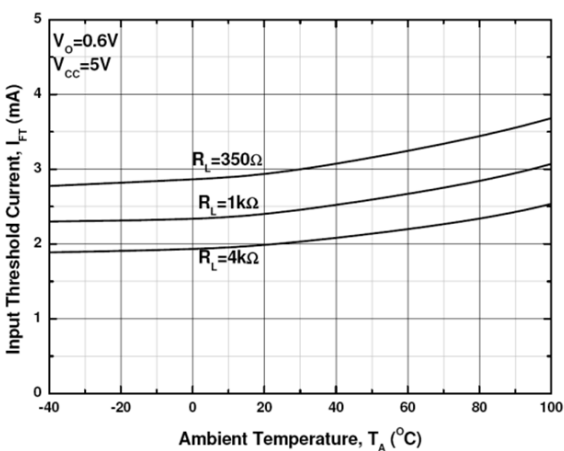
**Fig 2 Output Voltage vs Input Current**



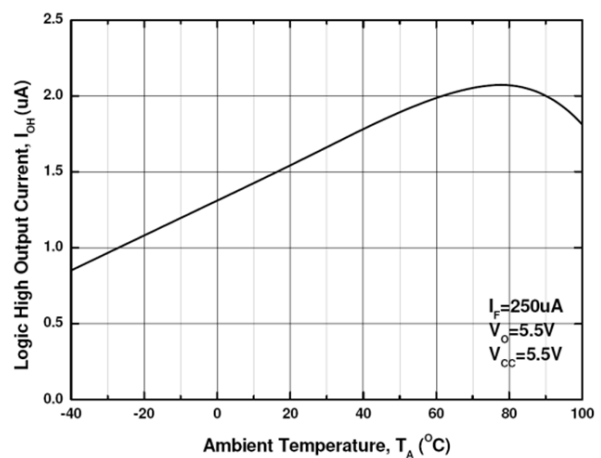
**Fig 3 Low Level Output Voltage vs T<sub>A</sub>**



**Fig 4 Low Level Output Current vs T<sub>A</sub>**



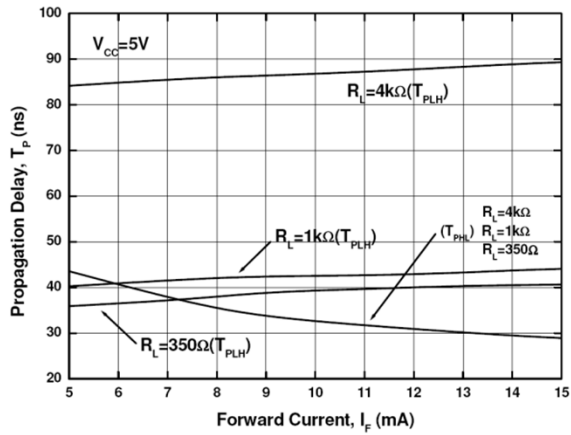
**Fig 5 Input Threshold Current vs T<sub>A</sub>**



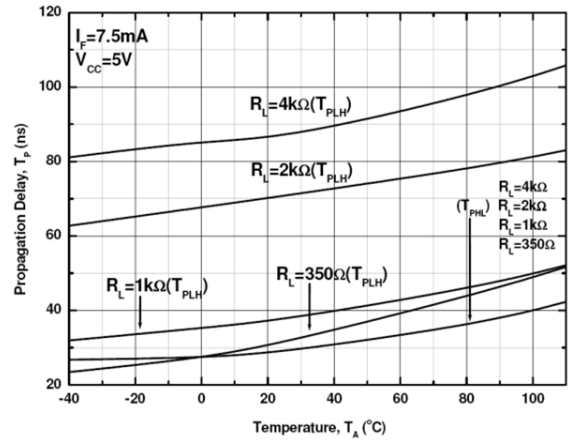
**Fig 6 High Level Output Current vs T<sub>A</sub>**



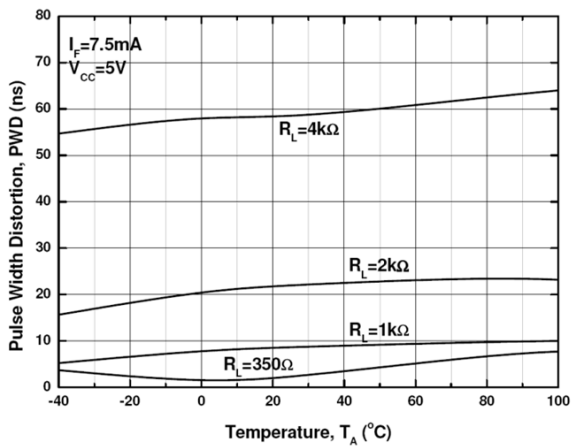
**ICPL2630 / ICPL2631**



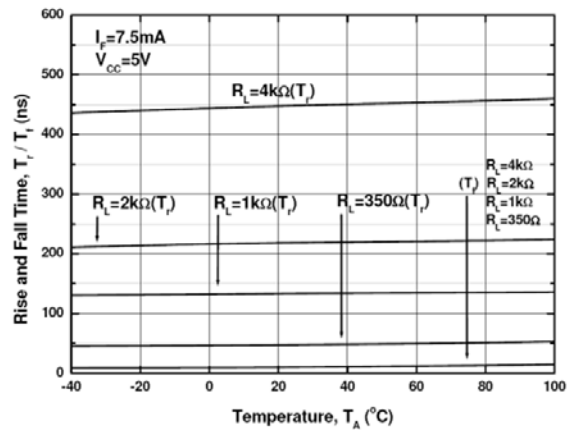
**Fig 7 Propagation Delay vs Forward Current**



**Fig 8 Propagation Delay vs  $T_A$**



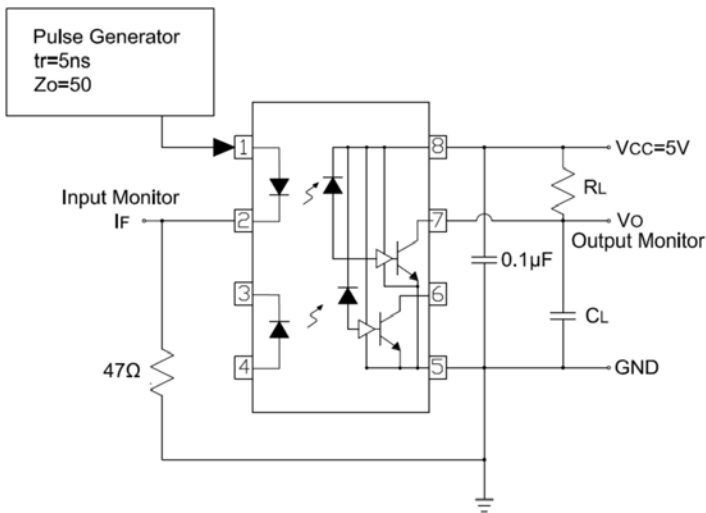
**Fig 9 Pulse Width Distortion vs  $T_A$**



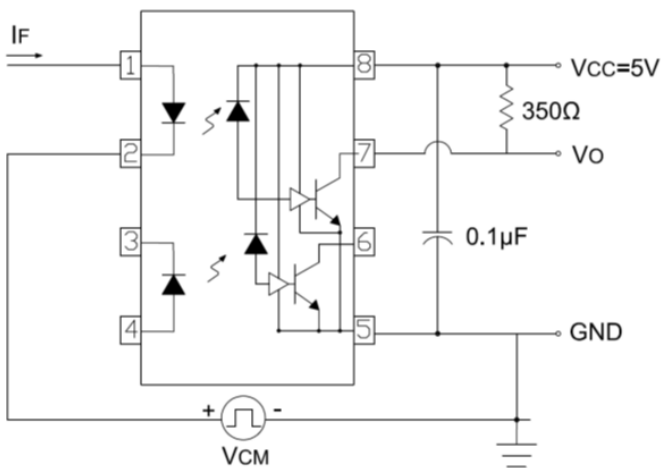
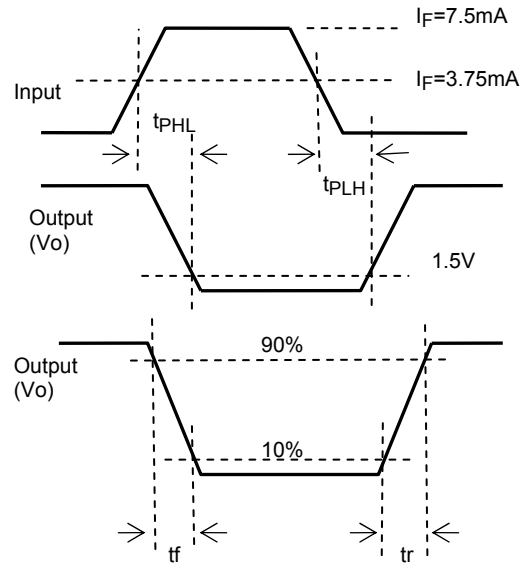
**Fig 10 Rise Time and Fall Time vs  $T_A$**



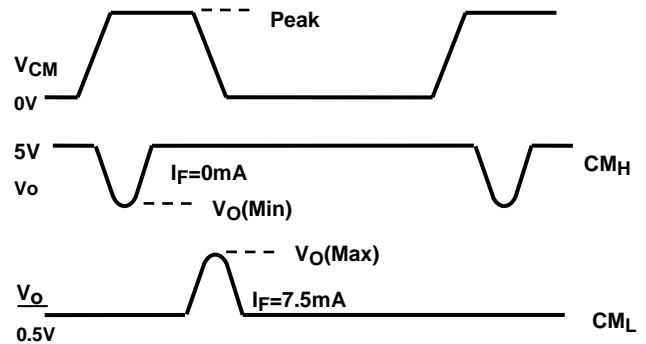
**ICPL2630 / ICPL2631**



**Fig 11 Switching Time Test Circuit**



**Fig 12 Common Mode Transient Immunity Test Circuit**





**ISOCOM**  
COMPONENTS

## ICPL2630 / ICPL2631

### ORDER INFORMATION

ICPL2630, ICPL2631

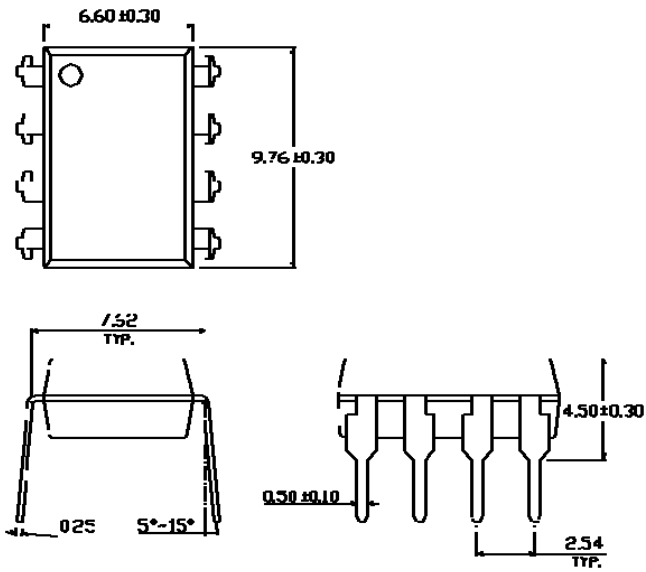
After PN	Description	Packing quantity
None	Standard DIP8	50 pcs per tube
G	10mm Lead Spacing	50 pcs per tube
SM	Surface Mount	50 pcs per tube
SMT&R	Surface Mount Tape & Reel	1000 pcs per reel



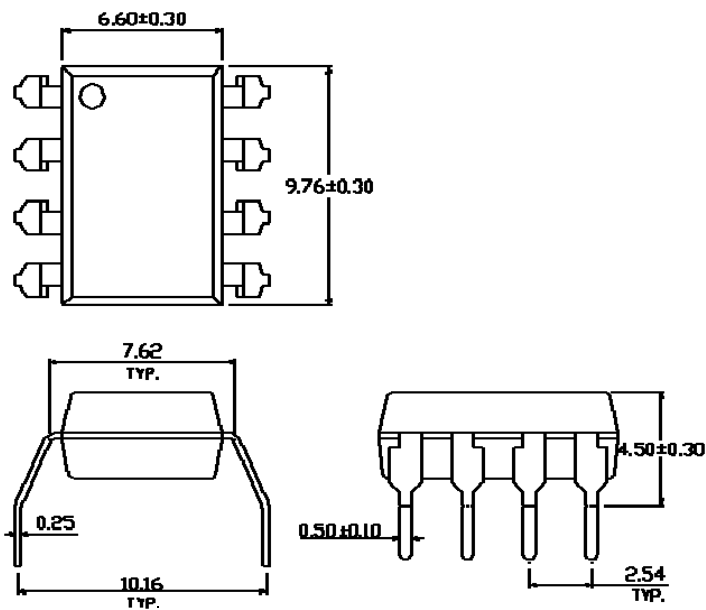
**ICPL2630 / ICPL2631**

**PACKAGE DIMENSIONS (mm)**

**DIP**



**G FORM**

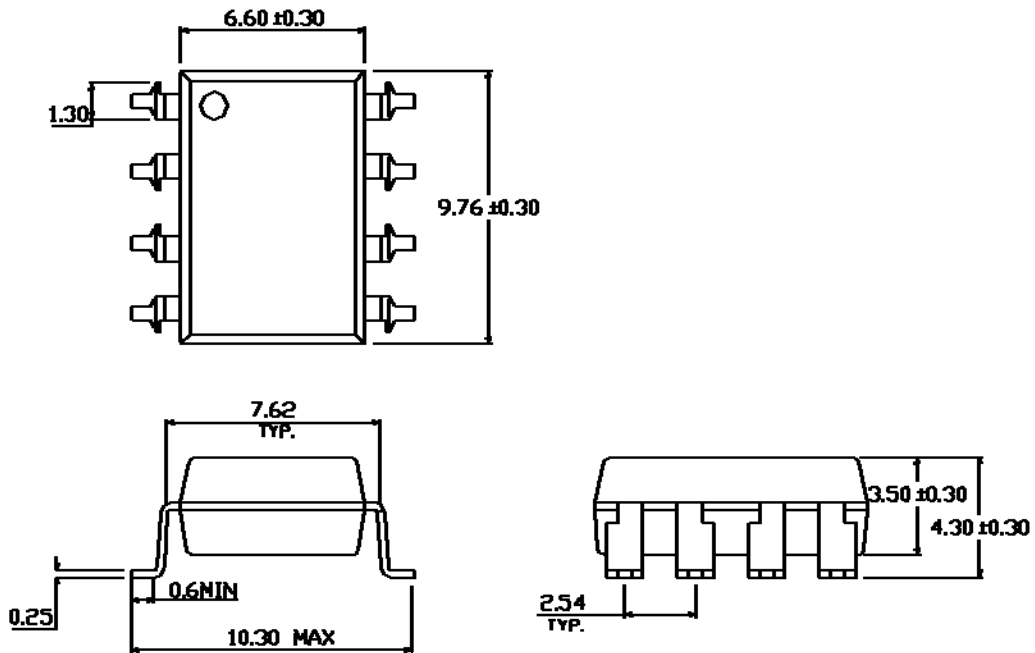






**ICPL2630 / ICPL2631**

**SMD**



**REFLOW SOLDERING TEMPERATURE PROFILE**

