



ICS554-01A

LOW SKEW 1 TO 4 CLOCK BUFFER PECL IN, PECL OUT

Description

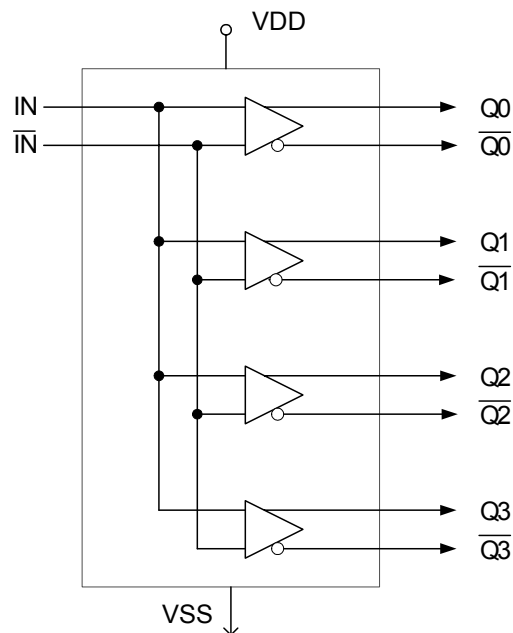
The ICS554-01A is a low skew clock buffer with a single complimentary PECL input to four PECL outputs. Part of ICS' Clock Blocks™ family, this is our lowest skew PECL clock buffer. The ICS554-01A is footprint compatible with the ICS554-01, but requires fewer passive components for termination thus providing a cost-saving alternative. For parts which do not require PECL inputs or outputs, see the ICS553 for a 1 to 4 low skew buffer, or the ICS552-02 for a 1 to 8 low skew buffer. For more than 8 outputs see the MK74CBxxx Buffalo™ series of clock drivers.

ICS makes many non-PLL and PLL based low skew output devices as well as Zero Delay Buffers to synchronize clocks. Contact us for all of your clocking needs.

Features

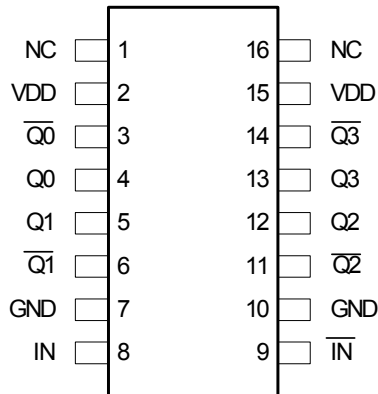
- Input frequency up to 200 MHz
- Advanced CMOS process
- Outputs are skew matched to within 50 ps
- Packaged in 16-pin TSSOP
- One PECL input to 4 PECL output clock drivers
- Operating Voltages of 3.3 V or 5 V
- Industrial temperature range
- Functional equivalent to ICS554-01
- Simplified passive termination network compared to ICS554-01

Block Diagram





Pin Assignment



16-pin 173 mil (0.65mm) TSSOP

Pin Descriptions

| Number | Name | Type | Pin Description |
|--------|-----------------|--------|---|
| 1 | NC | — | No Connect. |
| 2 | VDD | Power | Connect to +3.3 V or 5 V. Must be same as pin 15. |
| 3 | $\overline{Q0}$ | Output | Clock Output $\overline{Q0}$. |
| 4 | Q0 | Output | Clock Output Q0. |
| 5 | Q1 | Output | Clock Output Q1. |
| 6 | $\overline{Q1}$ | Output | Clock Output $\overline{Q1}$. |
| 7 | GND | Power | Connect to Ground. |
| 8 | IN | Input | PECL Clock Input. |
| 9 | \overline{IN} | Input | Complementary PECL Clock Input. |
| 10 | GND | Power | Connect to Ground |
| 11 | $\overline{Q2}$ | Output | Clock Output $\overline{Q2}$. |
| 12 | Q2 | Output | Clock Output Q2. |
| 13 | Q3 | Output | Clock Output Q3. |
| 14 | $\overline{Q3}$ | Output | Clock Output $\overline{Q3}$. |
| 15 | VDD | Power | Connect to +3.3 V or 5 V. Must be same as pin 2. |
| 16 | NC | — | No Connect. |



External Components

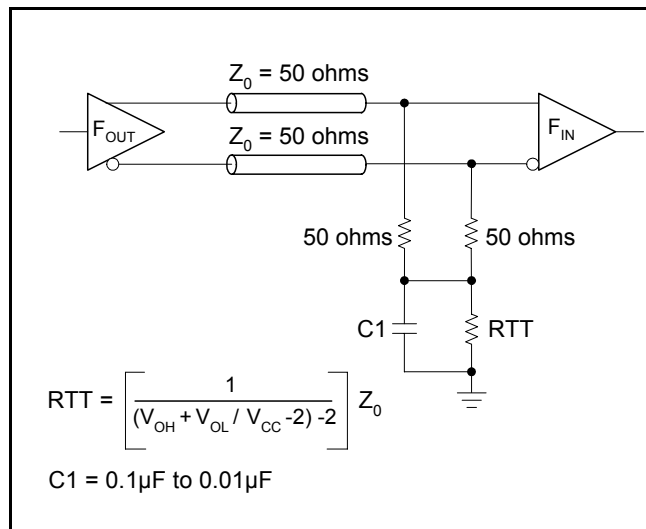
The ICS554-01A requires a decoupling capacitor of $0.01\mu\text{F}$ to be connected between VDD on pin 2 and GND on pin 7, as well as between VDD on pin 15 and GND on pin 10. These decoupling capacitors should be placed as close to the device as possible.

To achieve the low output skews that the ICS554-01A is capable of, careful attention must be paid to board layout. Essentially, all 8 outputs must have identical terminations, loads, and trace geometries. If they do not, the output skew will be degraded. For example, using a 30Ω series termination on one output (with 33Ω on the others) will cause at least 15ps of skew.

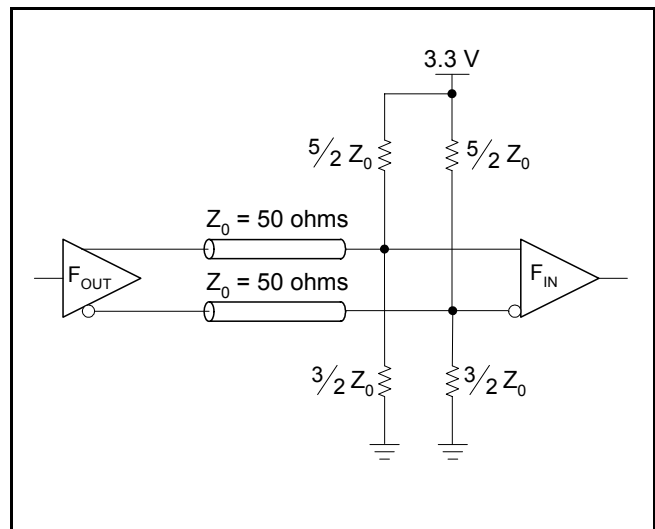
Termination for PECL or LVPECL Outputs

The clock layout topology shown below is a typical termination for PECL or LVPECL outputs. The two different layouts mentioned are recommended only as guidelines.

F_{OUT} and nF_{OUT} are low impedance follower outputs that generate PECL/LVPECL compatible outputs. Therefore, termination resistors (DC current path to ground) or current sources must be used for functionality. These outputs are designed to drive 50 ohm transmission lines. Matched impedance techniques should be used to maximize operating frequency and minimize signal distortion. There are a few simple termination schemes. The figures below show two different layouts which are recommended only as guidelines. Other suitable clock layouts may exist, but it is recommended that board designers simulate to guarantee compatibility across all printed circuit and clock component process variations.



PECL or LVPECL Output Termination



LVPECL Output Termination



Absolute Maximum Ratings

Stresses above the ratings listed below can cause permanent damage to the ICS554-01A. These ratings, which are standard values for ICS commercially rated parts, are stress ratings only. Functional operation of the device at these or any other conditions above those indicated in the operational sections of the specifications is not implied. Exposure to absolute maximum rating conditions for extended periods can affect product reliability. Electrical parameters are guaranteed only over the recommended operating temperature range.

| Item | Rating |
|-------------------------------|---------------------|
| Supply Voltage, VDD | 7 V |
| All Inputs and Outputs | -0.5 V to VDD+0.5 V |
| Ambient Operating Temperature | -40 to +85 °C |
| Storage Temperature | -65 to +150°C |
| Junction Temperature | 125°C |
| Soldering Temperature | 260°C |

Recommended Operation Conditions

| Parameter | Min. | Typ. | Max. | Units |
|---|-------|------|-------|-------|
| Ambient Operating Temperature | -40 | – | +85 | °C |
| Power Supply Voltage (measured in respect to GND) | +3.15 | | +5.25 | V |



DC Electrical Characteristics

VDD=3.3 V \pm 5% Ambient temperature -40 to +85 °C

| Parameter | Symbol | Conditions | Min. | Typ. | Max. | Units |
|------------------------------|-----------------|------------------|---------|----------|-----------|-------|
| Operating Voltage | VDD | | 3.15 | | 5.25 | V |
| Peak to Peak Input Voltage | IN | | 0.3 | | 1.0 | V |
| Input Common Mode Range | IN | VDD=3.3 V | VDD-2 | | VDD-0.6 | |
| Input Common Mode Range | IN | VDD=5 V | VDD-3.7 | | VDD-0.6 | |
| Output High Voltage | V _{OH} | Note 1 | VDD-1.2 | | | V |
| Output Low Voltage | V _{OL} | Note 1 | | | VDD - 2.0 | V |
| Operating Supply Current | IDD | No Load, 135 MHz | | 80 | | mA |
| Short Circuit Current, 3.3 V | I _{OS} | | | \pm 50 | | mA |
| Short Circuit Current, 5 V | I _{OS} | | | \pm 60 | | mA |

Note 1: V_{OH} and V_{OL} can be set by the external resistor values on the PECL outputs.

note 2: IDD includes the current through the external resistors which can be modified.

AC Electrical Characteristics

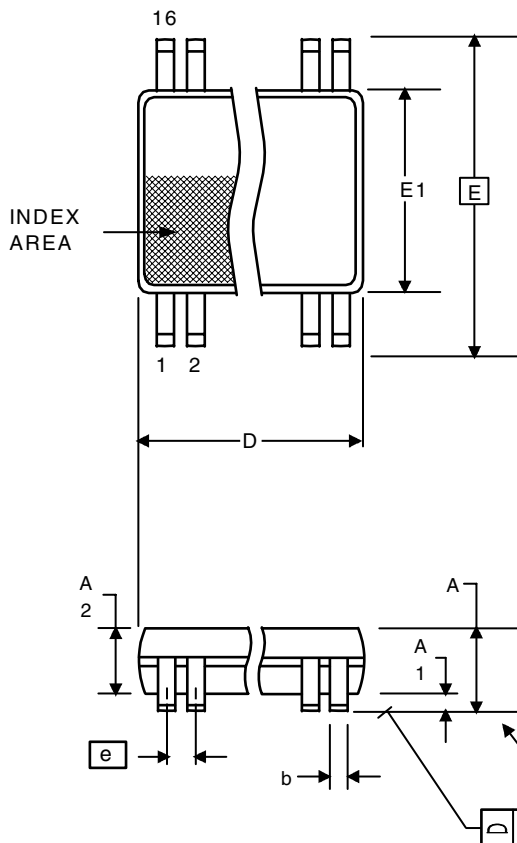
VDD = 3.3 V \pm 5, Ambient Temperature -40 to +85 °C

| Parameter | Symbol | Conditions | Min. | Typ. | Max. | Units |
|-----------------------|--------|--------------------|------|------|------|-------|
| Input Frequency | | | 0 | | 200 | MHz |
| Propagation Delay | | VDD = 3.3 V | | 2 | | ns |
| | | VDD = 5 V | | 2 | | ns |
| Output to Output Skew | | Crosspoint of pair | | 0 | 50 | ps |
| Duty Cycle | | Crosspoint of pair | 45 | 50 | 55 | % |



Package Outline and Package Dimensions (16-pin TSSOP, 4.40 mm Body, 0.65 mm Pitch)

Package dimensions are kept current with JEDEC Publication No. 95



| Symbol | Millimeters | | Inches | |
|----------|-------------|------|--------------|-------|
| | Min | Max | Min | Max |
| A | -- | 1.20 | -- | 0.047 |
| A1 | 0.05 | 0.15 | 0.002 | 0.006 |
| A2 | 0.80 | 1.05 | 0.032 | 0.041 |
| b | 0.19 | 0.30 | 0.007 | 0.012 |
| C | 0.09 | 0.20 | 0.0035 | 0.008 |
| D | 4.90 | 5.1 | 0.193 | 0.201 |
| E | 6.40 BASIC | | 0.252 BASIC | |
| E1 | 4.30 | 4.50 | 0.169 | 0.177 |
| e | 0.65 Basic | | 0.0256 Basic | |
| L | 0.45 | 0.75 | 0.018 | 0.030 |
| α | 0° | 8° | 0° | 8° |
| aaa | -- | 0.10 | -- | 0.004 |

Ordering Information

| Part / Order Number | Marking | Shipping Packaging | Package | Temperature |
|---------------------|---------------------|--------------------|--------------|---------------|
| ICS554GI-01A | ICS (top line) | Tubes | 16-pin TSSOP | -40 to +85 °C |
| ICS554GI-01AT | 554GI01A (2nd line) | Tape and Reel | 16-pin TSSOP | -40 to +85 °C |

While the information presented herein has been checked for both accuracy and reliability, Integrated Circuit Systems (ICS) assumes no responsibility for either its use or for the infringement of any patents or other rights of third parties, which would result from its use. No other circuits, patents, or licenses are implied. This product is intended for use in normal commercial applications. Any other applications such as those requiring extended temperature range, high reliability, or other extraordinary environmental requirements are not recommended without additional processing by ICS. ICS reserves the right to change any circuitry or specifications without notice. ICS does not authorize or warrant any ICS product for use in life support devices or critical medical instruments.