



GENERAL DESCRIPTION



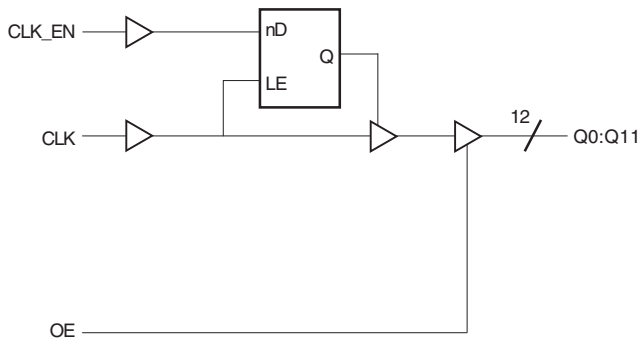
The ICS8312 is a low skew, 1-to-12 LVCMOS / LVTTTL Fanout Buffer and a member of the HiPerClockS™ family of High Performance Clock Solutions from ICS. The ICS8312 single ended clock input accepts LVCMOS or LVTTTL input levels. The low impedance LVCMOS outputs are designed to drive 50Ω series or parallel terminated transmission lines. The effective fanout can be increased from 12 to 24 by utilizing the ability of the outputs to drive two series terminated lines.

The ICS8312 is characterized at full 3.3V, 2.5V, and 1.8V, mixed 3.3V/2.5V, 3.3V/1.8V and 2.5V/1.8V output operating supply modes. Guaranteed output and part-to-part skew characteristics along with the 1.8V output capabilities makes the ICS8312 ideal for high performance, single ended applications that also require a limited output voltage.

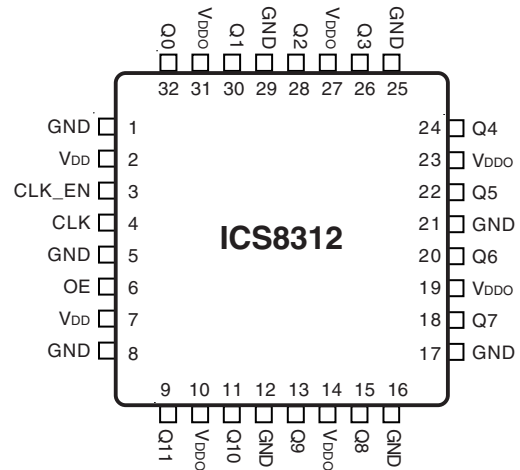
FEATURES

- 12 LVCMOS / LVTTTL outputs
- LVCMOS / LVTTTL clock input
- Maximum output frequency: 250MHz
- Output skew: 150ps (maximum)
- Operating supply modes:
Core/Output
3.3V/3.3V,
2.5V/2.5V,
1.8V/1.8V,
3.3V/2.5V,
3.3V/1.8V,
2.5V/1.8V
- 0°C to 85°C ambient operating temperature
- Lead-Free package available
- Industrial temperature information available upon request

BLOCK DIAGRAM



PIN ASSIGNMENT



32-Lead LQFP
7mm x 7mm x 1.4mm body package
Y Package
Top View



TABLE 1. PIN DESCRIPTIONS

Number	Name	Type		Description
1, 5, 8, 12, 16, 17, 21, 25, 29	GND	Power		Power supply ground.
2, 7	V _{DD}	Power		Core supply pins.
3	CLK_EN	Input	Pullup	Synchronous control for enabling and disabling clock outputs. LVCMOS / LVTTTL interface levels.
4	CLK	Input	Pulldown	Clock input. LVCMOS / LVTTTL interface levels.
6	OE	Input	Pullup	Output enable. Controls enabling and disabling of outputs Q0 thru Q11. LVCMOS / LVTTTL interface levels.
9, 11, 13, 15, 18, 20, 22, 24, 26, 28, 30, 32	Q11, Q10, Q9, Q8, Q7, Q6, Q5, Q4, Q3, Q2, Q1, Q0	Output		Q0 thru Q11 outputs. LVCMOS / LVTTTL interface levels.
10, 14, 19, 23, 27, 31	V _{DDO}	Power		Output supply pins.

NOTE: Pullup and Pulldown refer to internal input resistors. See Table 2, Pin Characteristics, for typical values.

TABLE 2. PIN CHARACTERISTICS

Symbol	Parameter	Test Conditions	Minimum	Typical	Maximum	Units
C _{IN}	Input Capacitance			4		pF
C _{PD}	Power Dissipation Capacitance (per output)	V _{DDO} = 3.465V			19	pF
		V _{DDO} = 2.625V			18	pF
		V _{DDO} = 2V			16	pF
R _{PULLUP}	Input Pullup Resistor			51		KΩ
R _{PULLDOWN}	Input Pulldown Resistor			51		KΩ
R _{OUT}	Output Impedance	V _{DDO} = 3.3V ± 5%		7		Ω
		V _{DDO} = 2.5V ± 5%		7		Ω
		V _{DDO} = 1.8V ± 0.2V		10		Ω

TABLE 3A. OUTPUT ENABLE AND CLOCK ENABLE FUNCTION TABLE

Control Inputs		Output
OE	CLK_EN	Q0:Q11
0	X	Hi-Z
1	0	LOW
1	1	Follows CLK input

TABLE 3B. CLOCK INPUT FUNCTION TABLE

Inputs			Outputs
OE	CLK_EN	CLK	Q0:Q11
1	1	0	LOW
1	1	1	HIGH



ABSOLUTE MAXIMUM RATINGS

Supply Voltage, V_{DD}	4.6V
Inputs, V_i	-0.5V to $V_{DD} + 0.5V$
Outputs, V_o	-0.5V to $V_{DDO} + 0.5V$
Package Thermal Impedance, θ_{JA}	47.9°C/W (0 lfpm)
Storage Temperature, T_{STG}	-65°C to 150°C

NOTE: Stresses beyond those listed under Absolute Maximum Ratings may cause permanent damage to the device. These ratings are stress specifications only. Functional operation of product at these conditions or any conditions beyond those listed in the *DC Characteristics* or *AC Characteristics* is not implied. Exposure to absolute maximum rating conditions for extended periods may affect product reliability.

TABLE 4A. POWER SUPPLY DC CHARACTERISTICS, $V_{DD} = V_{DDO} = 3.3V \pm 5\%$, $T_A = 0^\circ C$ TO $85^\circ C$

Symbol	Parameter	Test Conditions	Minimum	Typical	Maximum	Units
V_{DD}	Core Supply Voltage		3.135	3.3	3.465	V
V_{DDO}	Output Supply Voltage		3.135	3.3	3.465	V
I_{DD}	Power Supply Current				10	μA
I_{DDO}	Output Supply Current				10	μA

TABLE 4B. POWER SUPPLY DC CHARACTERISTICS, $V_{DD} = V_{DDO} = 2.5V \pm 5\%$, $T_A = 0^\circ C$ TO $85^\circ C$

Symbol	Parameter	Test Conditions	Minimum	Typical	Maximum	Units
V_{DD}	Core Supply Voltage		2.375	2.5	2.625	V
V_{DDO}	Output Supply Voltage		2.375	2.5	2.625	V
I_{DD}	Power Supply Current				10	μA
I_{DDO}	Output Supply Current				10	μA

TABLE 4C. POWER SUPPLY DC CHARACTERISTICS, $V_{DD} = V_{DDO} = 1.8V \pm 0.2V$, $T_A = 0^\circ C$ TO $85^\circ C$

Symbol	Parameter	Test Conditions	Minimum	Typical	Maximum	Units
V_{DD}	Core Supply Voltage		1.6	1.8	2.0	V
V_{DDO}	Output Supply Voltage		1.6	1.8	2.0	V
I_{DD}	Power Supply Current				10	μA
I_{DDO}	Output Supply Current				10	μA

TABLE 4D. POWER SUPPLY DC CHARACTERISTICS, $V_{DD} = 3.3V \pm 5\%$, $V_{DDO} = 2.5V \pm 5\%$, $T_A = 0^\circ C$ TO $85^\circ C$

Symbol	Parameter	Test Conditions	Minimum	Typical	Maximum	Units
V_{DD}	Core Supply Voltage		3.135	3.3	3.465	V
V_{DDO}	Output Supply Voltage		2.375	2.5	2.625	V
I_{DD}	Power Supply Current				10	μA
I_{DDO}	Output Supply Current				10	μA

TABLE 4E. POWER SUPPLY DC CHARACTERISTICS, $V_{DD} = 3.3V \pm 5\%$, $V_{DDO} = 1.8V \pm 0.2V$, $T_A = 0^\circ C$ TO $85^\circ C$

Symbol	Parameter	Test Conditions	Minimum	Typical	Maximum	Units
V_{DD}	Core Supply Voltage		3.135	3.3	3.465	V
V_{DDO}	Output Supply Voltage		1.6	1.8	2.0	V
I_{DD}	Power Supply Current				10	μA
I_{DDO}	Output Supply Current				10	μA

TABLE 4F. POWER SUPPLY DC CHARACTERISTICS, $V_{DD} = 2.5V \pm 5\%$, $V_{DDO} = 1.8V \pm 0.2V$, $T_A = 0^\circ C$ TO $85^\circ C$

Symbol	Parameter	Test Conditions	Minimum	Typical	Maximum	Units
V_{DD}	Core Supply Voltage		2.375	2.5	2.625	V
V_{DDO}	Output Supply Voltage		1.6	1.8	2.0	V
I_{DD}	Power Supply Current				10	μA
I_{DDO}	Output Supply Current				10	μA



TABLE 4F. LVCMOS DC CHARACTERISTICS, T_A = 0°C TO 85°C

Symbol	Parameter	Test Conditions	Minimum	Typical	Maximum	Units		
V _{IH}	Input High Voltage	CLK	V _{DD} = 3.3V ± 5%	2		V _{DD} + 0.3	V	
			V _{DD} = 2.5V ± 5%	1.7		V _{DD} + 0.3	V	
			V _{DD} = 1.8V ± 0.2V	0.65*V _{DD}		V _{DD} + 0.3	V	
		CLK_EN, OE	V _{DD} = 3.3V ± 5%	2		V _{DD} + 0.3	V	
			V _{DD} = 2.5V ± 5%	1.7		V _{DD} + 0.3	V	
			V _{DD} = 1.8V ± 0.2V	0.65*V _{DD}		V _{DD} + 0.3	V	
V _{IL}	Input Low Voltage	CLK	V _{DD} = 3.3V ± 5%	-0.3		1.3	V	
			V _{DD} = 2.5V ± 5%	-0.3		0.7	V	
			V _{DD} = 1.8V ± 0.2V	-0.3		0.35*V _{DD}	V	
		CLK_EN, OE	V _{DD} = 3.3V ± 5%	-0.3		1.3	V	
			V _{DD} = 2.5V ± 5%	-0.3		0.7	V	
			V _{DD} = 1.8V ± 0.2V	-0.3		0.35*V _{DD}	V	
I _{IH}	Input High Current	CLK	V _{DD} = 3.3V ± 5%			150	μA	
			V _{DD} = 2.5V ± 5%			150	μA	
			V _{DD} = 1.8V ± 0.2V			150	μA	
		CLK_EN, OE	V _{DD} = 3.3V ± 5%			5	μA	
			V _{DD} = 2.5V ± 5%			5	μA	
			V _{DD} = 1.8V ± 0.2V			5	μA	
I _{IL}	Input Low Current	CLK	V _{DD} = 3.3V ± 5%	-5			μA	
			V _{DD} = 2.5V ± 5%	-5			μA	
			V _{DD} = 1.8V ± 0.2V	-5			μA	
		CLK_EN, OE	V _{DD} = 3.3V ± 5%	-150				μA
			V _{DD} = 2.5V ± 5%	-150				μA
			V _{DD} = 1.8V ± 0.2V	-150				μA
V _{OH}	Output High Voltage	V _{DDO} = 3.3V ± 5%; NOTE 1		2.6			V	
		V _{DDO} = 2.5V ± 5%; I _{OH} = -1mA		2			V	
		V _{DDO} = 2.5V ± 5%; NOTE 1		1.8			V	
		V _{DDO} = 1.8V ± 0.2V; I _{OH} = -100uA		V _{DD} - 0.2				V
		V _{DDO} = 1.8V ± 0.2V; NOTE 1		V _{DD} - 0.3				V
V _{OL}	Output Low Voltage	V _{DDO} = 3.3V ± 5%; NOTE 1				0.5	V	
		V _{DDO} = 2.5V ± 5%; I _{OL} = 1mA				0.4	V	
		V _{DDO} = 2.5V ± 5%; NOTE 1				0.45	V	
		V _{DDO} = 1.8V ± 0.2V; I _{OL} = 100uA				0.2	V	
		V _{DDO} = 1.8V ± 0.2V; NOTE 1				0.35	V	

NOTE 1: Outputs terminated with 50Ω to V_{DDO}/2. See Parameter Measurement section, "Load Test Circuit" diagrams.



TABLE 5A. AC CHARACTERISTICS, $V_{DD} = V_{DDO} = 3.3V \pm 5\%$, $T_A = 0^\circ C$ TO $85^\circ C$

Symbol	Parameter	Test Conditions	Minimum	Typical	Maximum	Units
f_{MAX}	Output Frequency				250	MHz
tp_{LH}	Propagation Delay Low to High; NOTE 1	$f \leq 250MHz$	1.2	1.9	2.5	ns
$tsk(o)$	Output Skew; NOTE 2, 5				125	ps
$tsk(pp)$	Part-to-Part Skew; NOTE 3, 5				800	ps
t_r/t_f	Output Rise Time; NOTE 4	20% to 80%	200		700	ps
odc	Output Duty Cycle	$f \leq 200MHz$	45		55	%

All parameters measured at f_{MAX} unless noted otherwise.
See Table 5C listed below for Notes 1 through 5.

TABLE 5B. AC CHARACTERISTICS, $V_{DD} = V_{DDO} = 2.5V \pm 5\%$, $T_A = 0^\circ C$ TO $85^\circ C$

Symbol	Parameter	Test Conditions	Minimum	Typical	Maximum	Units
f_{MAX}	Output Frequency				250	MHz
tp_{LH}	Propagation Delay Low to High; NOTE 1	$f \leq 250MHz$	1.4	2.3	3.2	ns
$tsk(o)$	Output Skew; NOTE 2, 5				150	ps
$tsk(pp)$	Part-to-Part Skew; NOTE 3, 5				1.1	ns
t_r/t_f	Output Rise Time; NOTE 4	20% to 80%	200		700	ps
odc	Output Duty Cycle	$f \leq 150MHz$	45		55	%

All parameters measured at f_{MAX} unless noted otherwise.
See Table 5C listed below for Notes 1 through 5.

TABLE 5C. AC CHARACTERISTICS, $V_{DD} = V_{DDO} = 1.8V \pm 0.2V$, $T_A = 0^\circ C$ TO $85^\circ C$

Symbol	Parameter	Test Conditions	Minimum	Typical	Maximum	Units
f_{MAX}	Output Frequency				200	MHz
tp_{LH}	Propagation Delay Low to High; NOTE 1	$f \leq 200MHz$	1.6	3.3	4.8	ns
$tsk(o)$	Output Skew; NOTE 2, 5				140	ps
$tsk(pp)$	Part-to-Part Skew; NOTE 3, 5				2.3	ns
t_r/t_f	Output Rise Time; NOTE 4	20% to 80%	200		800	ps
odc	Output Duty Cycle	$f \leq 100MHz$	45		55	%

All parameters measured at f_{MAX} unless noted otherwise.

NOTE 1: Measured from $V_{DD}/2$ of the input to $V_{DDO}/2$ of the output.

NOTE 2: Defined as skew between outputs at the same supply voltage and with equal load conditions. Measured at $V_{DDO}/2$.

NOTE 3: Defined as the skew between outputs on different devices operating at the same supply voltages and with equal load conditions. Using the same type of inputs on each device, the outputs are measured at $V_{DDO}/2$.

NOTE 4: These parameters are guaranteed by characterization. Not tested in production.

NOTE 5: This parameter is defined in accordance with JEDEC Standard 65.



TABLE 5D. AC CHARACTERISTICS, $V_{DD} = 3.3V \pm 5\%$, $V_{DDO} = 2.5V \pm 5\%$, $T_A = 0^\circ C$ TO $85^\circ C$

Symbol	Parameter	Test Conditions	Minimum	Typical	Maximum	Units
f_{MAX}	Output Frequency				250	MHz
tp_{LH}	Propagation Delay Low to High; NOTE 1	$f \leq 250MHz$	1.4	2.1	2.7	ns
$tsk(o)$	Output Skew; NOTE 2, 5				135	ps
$tsk(pp)$	Part-to-Part Skew; NOTE 3, 5				900	ps
t_r/t_f	Output Rise Time; NOTE 4	20% to 80%	200		700	ps
odc	Output Duty Cycle	$f \leq 150MHz$	45		55	%

All parameters measured at f_{MAX} unless noted otherwise.
See Table 5F listed below for Notes 1 through 5.

TABLE 5E. AC CHARACTERISTICS, $V_{DD} = 3.3V \pm 5\%$, $V_{DDO} = 1.8V \pm 0.2V$, $T_A = 0^\circ C$ TO $85^\circ C$

Symbol	Parameter	Test Conditions	Minimum	Typical	Maximum	Units
f_{MAX}	Output Frequency				200	MHz
tp_{LH}	Propagation Delay Low to High; NOTE 1	$f \leq 200MHz$	1.4	2.4	3.4	ns
$tsk(o)$	Output Skew; NOTE 2, 5				145	ps
$tsk(pp)$	Part-to-Part Skew; NOTE 3, 5				1.3	ns
t_r/t_f	Output Rise Time; NOTE 4	20% to 80%	200		700	ps
odc	Output Duty Cycle	$f \leq 100MHz$	45		55	%

All parameters measured at f_{MAX} unless noted otherwise.
See Table 5F listed below for Notes 1 through 5.

TABLE 5F. AC CHARACTERISTICS, $V_{DD} = 2.5V \pm 5\%$, $V_{DDO} = 1.8V \pm 0.2V$, $T_A = 0^\circ C$ TO $85^\circ C$

Symbol	Parameter	Test Conditions	Minimum	Typical	Maximum	Units
f_{MAX}	Output Frequency				200	MHz
tp_{LH}	Propagation Delay Low to High; NOTE 1	$f \leq 200MHz$	1.5	2.6	3.7	ns
$tsk(o)$	Output Skew; NOTE 2, 5				150	ps
$tsk(pp)$	Part-to-Part Skew; NOTE 3, 5				1.5	ns
t_r/t_f	Output Rise Time; NOTE 4	20% to 80%	200		700	ps
odc	Output Duty Cycle	$f \leq 100MHz$	45		55	%

All parameters measured at f_{MAX} unless noted otherwise.

NOTE 1: Measured from $V_{DD}/2$ of the input to $V_{DDO}/2$ of the output.

NOTE 2: Defined as skew between outputs at the same supply voltage and with equal load conditions. Measured at $V_{DDO}/2$.

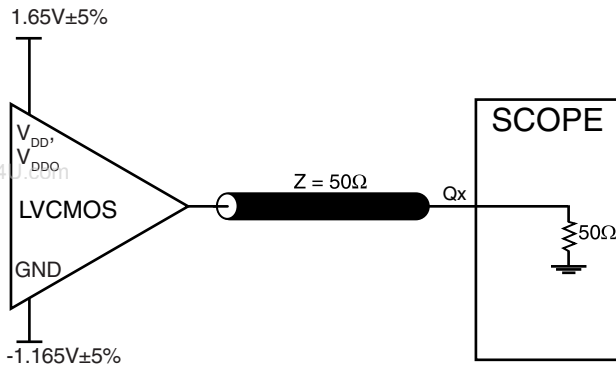
NOTE 3: Defined as the skew between outputs on different devices operating at the same supply voltages and with equal load conditions. Using the same type of inputs on each device, the outputs are measured at $V_{DDO}/2$.

NOTE 4: These parameters are guaranteed by characterization. Not tested in production.

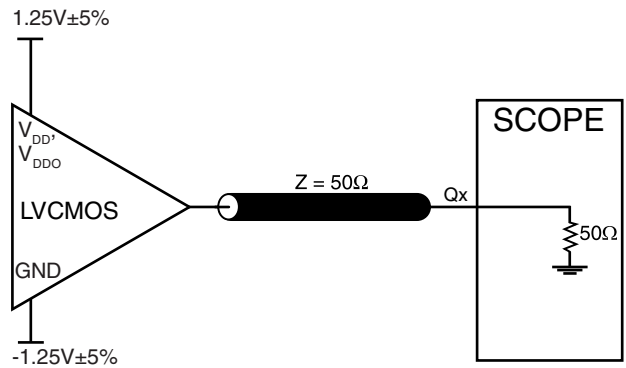
NOTE 5: This parameter is defined in accordance with JEDEC Standard 65.



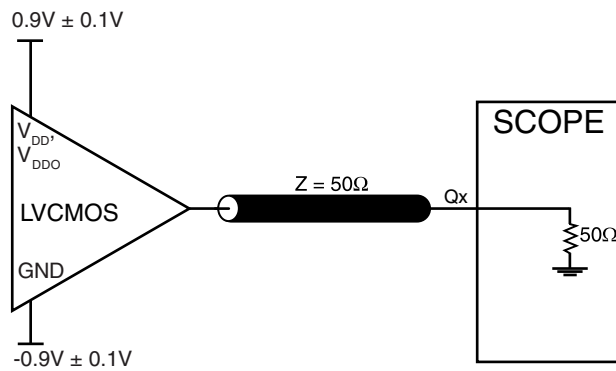
PARAMETER MEASUREMENT INFORMATION



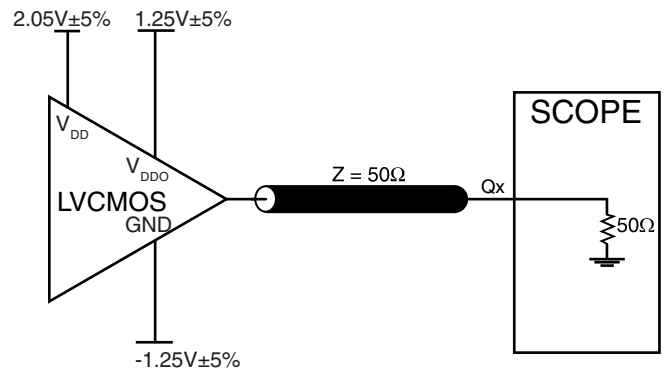
3.3V CORE/3.3V OUTPUT LOAD AC TEST CIRCUIT



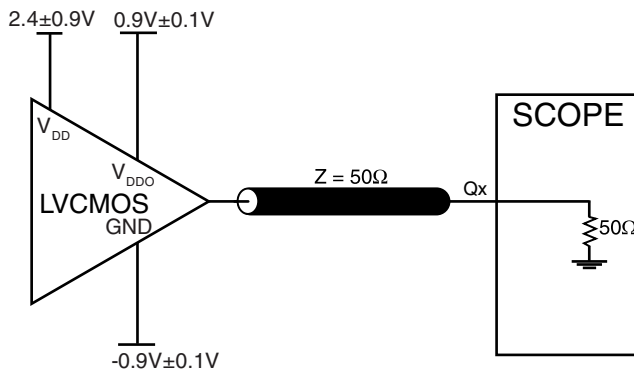
2.5V CORE/2.5V OUTPUT LOAD AC TEST CIRCUIT



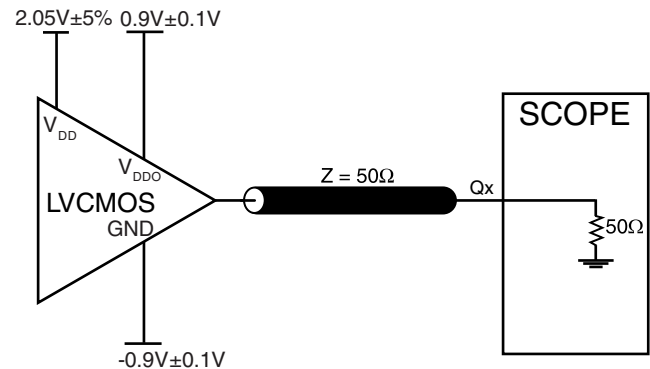
1.8V CORE/1.8V OUTPUT LOAD AC TEST CIRCUIT



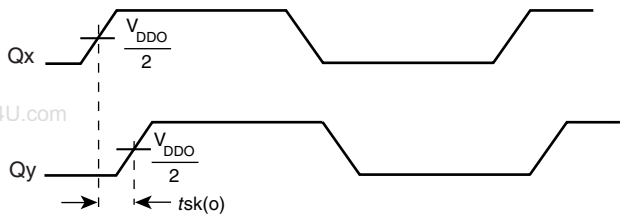
3.3V CORE/2.5V OUTPUT LOAD AC TEST CIRCUIT



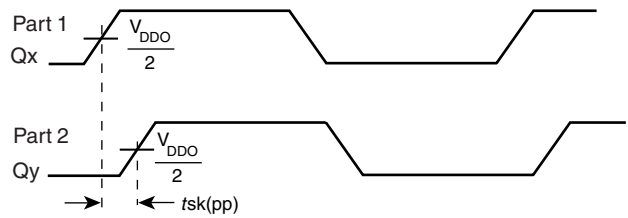
3.3V CORE/1.8V OUTPUT LOAD AC TEST CIRCUIT



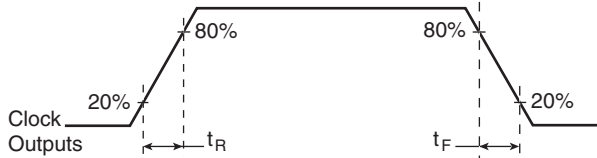
2.5 CORE/1.8V OUTPUT LOAD AC TEST CIRCUIT



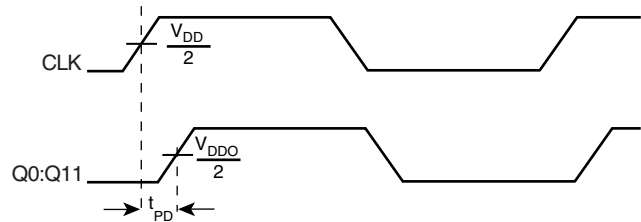
OUTPUT SKEW



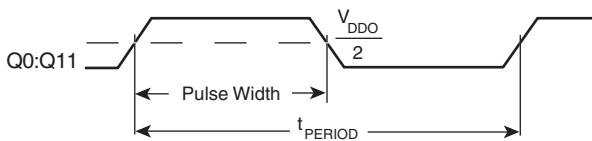
PART-TO-PART SKEW



OUTPUT RISE/FALL TIME



PROPAGATION DELAY



$$odc = \frac{t_{PW}}{t_{PERIOD}}$$

OUTPUT DUTY CYCLE/PLUSE WIDTH/PERIOD



RELIABILITY INFORMATION

TABLE 6. θ_{JA} vs. AIR FLOW TABLE FOR 32 LEAD LQFP

θ_{JA} by Velocity (Linear Feet per Minute)			
	0	200	500
Single-Layer PCB, JEDEC Standard Test Boards	67.8°C/W	55.9°C/W	50.1°C/W
Multi-Layer PCB, JEDEC Standard Test Boards	47.9°C/W	42.1°C/W	39.4°C/W

NOTE: Most modern PCB designs use multi-layered boards. The data in the second row pertains to most designs.

TRANSISTOR COUNT

The transistor count for ICS8312 is: 339



PACKAGE OUTLINE - Y SUFFIX FOR 32 LEAD LQFP

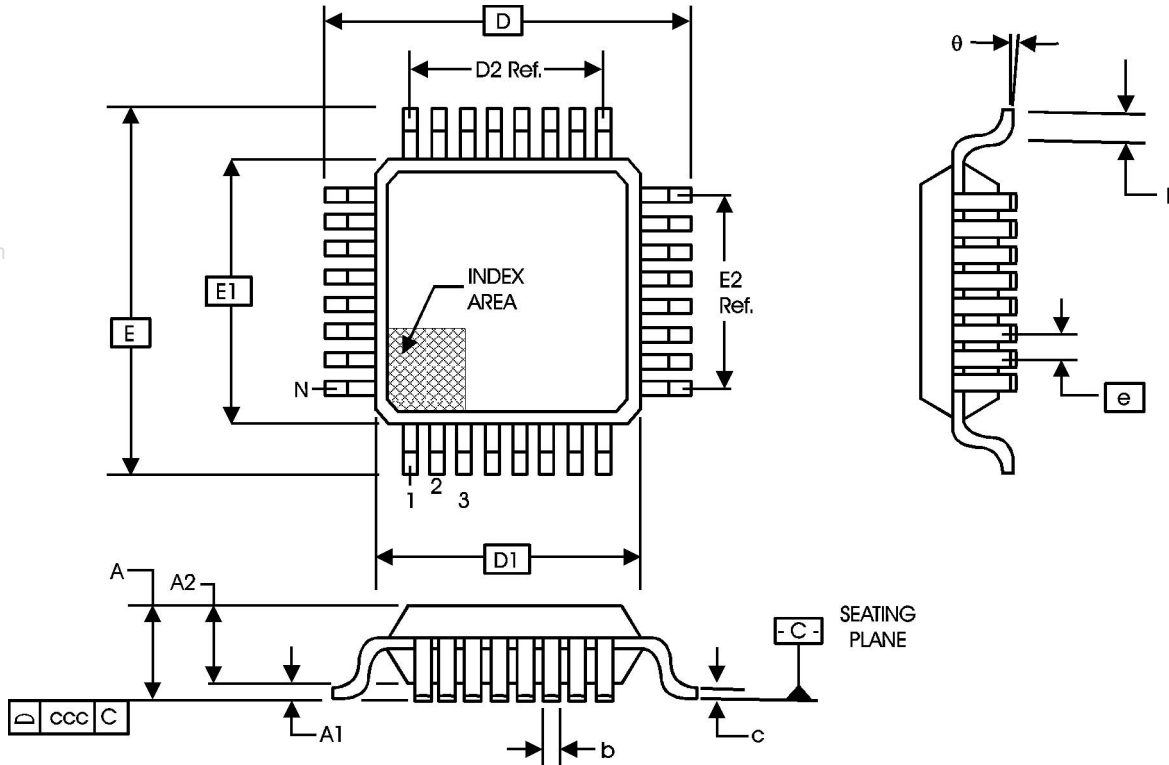


TABLE 7. PACKAGE DIMENSIONS

JEDEC VARIATION ALL DIMENSIONS IN MILLIMETERS			
SYMBOL	BBA		
	MINIMUM	NOMINAL	MAXIMUM
N	32		
A	--	--	1.60
A1	0.05	--	0.15
A2	1.35	1.40	1.45
b	0.30	0.37	0.45
c	0.09	--	0.20
D	9.00 BASIC		
D1	7.00 BASIC		
D2	5.60 Ref.		
E	9.00 BASIC		
E1	7.00 BASIC		
E2	5.60 Ref.		
e	0.80 BASIC		
L	0.45	0.60	0.75
theta	0°	--	7°
ccc	--	--	0.10

Reference Document: JEDEC Publication 95, MS-026



Integrated
Circuit
Systems, Inc.

ICS8312

LOW SKEW, 1-TO-12 LVCMOS / LVTTTL FANOUT BUFFER

TABLE 8. ORDERING INFORMATION

Part/Order Number	Marking	Package	Count	Temperature
ICS8312AY	ICS8312AY	32 Lead LQFP	250 per tray	0°C to 85°C
ICS8312AYT	ICS8312AY	32 Lead LQFP on Tape and Reel	1000	0°C to 85°C
ICS8312AYLF	ICS8312AYLF	32 Lead "Lead Free" LQFP	250 per tray	0°C to 85°C
ICS8312AYLFT	ICS8312AYLF	32 Lead "Lead Free" LQFP on Tape and Reel	1000	0°C to 85°C

www.DataSheet4U.com

The aforementioned trademark, HiPerClockS™ is a trademark of Integrated Circuit Systems, Inc. or its subsidiaries in the United States and/or other countries. While the information presented herein has been checked for both accuracy and reliability, Integrated Circuit Systems, Incorporated (ICS) assumes no responsibility for either its use or for infringement of any patents or other rights of third parties, which would result from its use. No other circuits, patents, or licenses are implied. This product is intended for use in normal commercial applications. Any other applications such as those requiring extended temperature range, high reliability, or other extraordinary environmental requirements are not recommended without additional processing by ICS. ICS reserves the right to change any circuitry or specifications without notice. ICS does not authorize or warrant any ICS product for use in life support devices or critical medical instruments.



Integrated
Circuit
Systems, Inc.

ICS8312
LOW SKEW, 1-TO-12
LVCMOS / LVTTTL FANOUT BUFFER

REVISION HISTORY SHEET				
Rev	Table	Page	Description of Change	Date
B	T2	2	Pin Characteristics table - added category C_{PD} .	2/25/03
	T4A - T4F	3	Power Supply tables - changed I_{DD} & I_{DDO} max. current spec to 10 μ A and removed typical value.	
C	T2	1	Features section - corrected Output Skew typo error from 160ps to 150ps.	5/17/04
		2	Pin Characteristics table - changed C_{IN} 4pF max. to 4pF typical.	
C	T8	11	Added Lead Free Part Number to Ordering Information table.	6/14/04