

### General Description

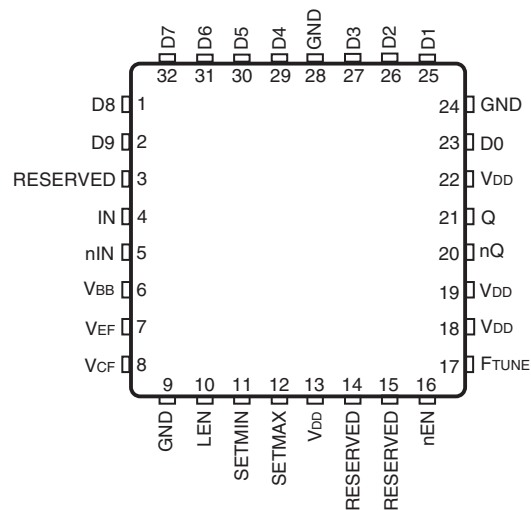
The ICS854S296I-33 is a high performance LVDS Programmable Delay Line. The delay can vary from 2.2ns to 12.5ns in 10ps steps. The ICS854S296I-33 is characterized to operate from a 3.3V power supply and is guaranteed over industrial temperature range.

The delay of the device varies in discrete steps based on a control word. A 10-bit long control word sets the delay in 10ps increments. Also, the input pins IN and nIN default to an equivalent low state when left floating. The control register can accept CMOS or TTL level signals.

### Features

- One LVDS level output
- One differential clock input pair
- Differential input clock (IN, nIN) can accept the following signaling levels: LVPECL, LVDS, CML
- Maximum frequency: 1.2GHz
- Programmable Delay Range: 2.2ns to 12.5ns in 10ps steps
- D[9:0] can accept LVPECL, LVCMOS or LVTTL levels
- Full 3.3V supply voltages
- -40°C to 85°C ambient operating temperature
- Available in lead-free (RoHS 6) package

### Pin Assignment



**ICS854S296I-33**

**32-Lead VFQFN**

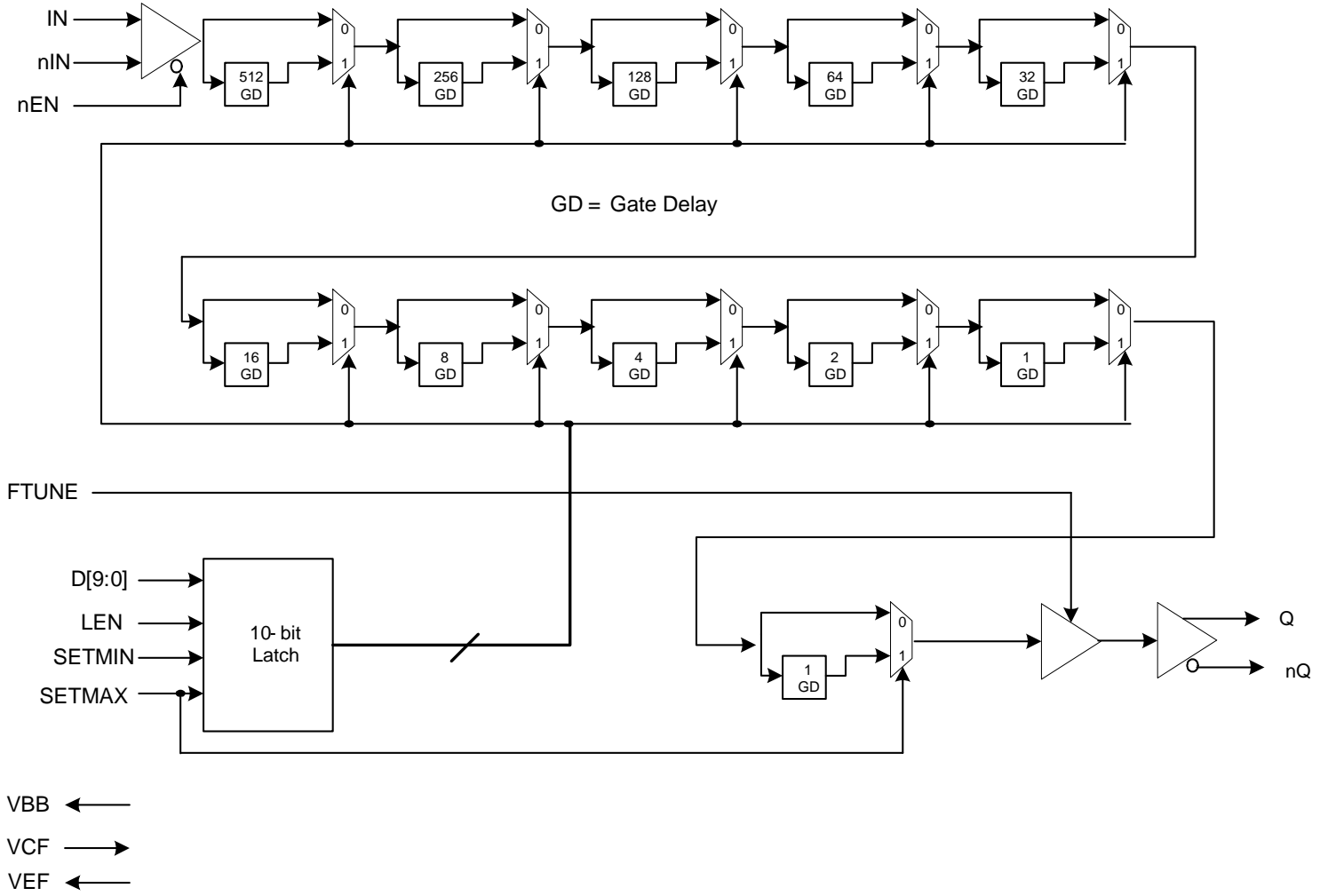
**5mm x 5mm x 0.925mm package body**

**3.15mm x 3.15mm EPad**

**K Package**

**Top View**

### Block Diagram



## Pin Description and Pin Characteristic Tables

**Table 1. Pin Descriptions**

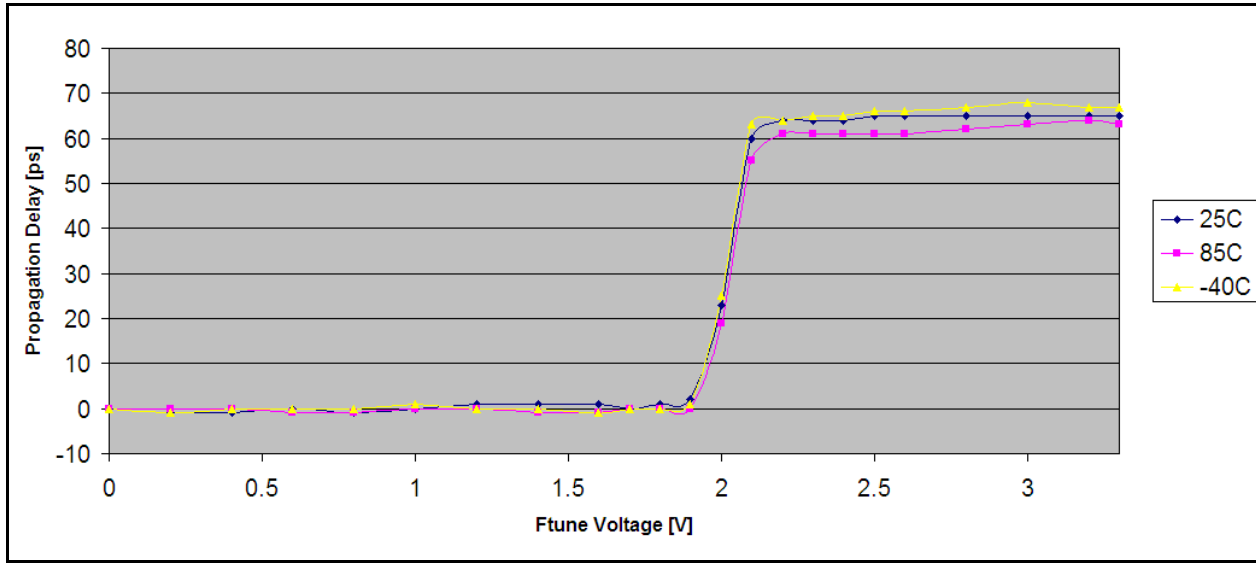
Number	Name	Type		Description
1, 2, 23, 25, 26, 27, 29, 30, 31, 32	D8, D9, D0, D1, D2, D3, D4, D5, D6, D7	Input	Pulldown	Parallel data input D[9:0]. Single-ended LVCMOS, LVTTTL, LVPECL interface levels.
3, 14, 15	RESERVED	Reserved		Reserved pins.
4	IN	Input	Pulldown	Non-inverting LVPECL differential input.
5	nIN	Input	Pullup/ Pulldown	Inverting LVPECL differential input.
6	V <sub>BB</sub>	Output		Reference voltage output. This pin can be used to rebias AC-coupled inputs to IN and nIN. When used, de-couple to V <sub>DD</sub> using a 0.01μF capacitor. If not used, leave floating.
7	V <sub>EF</sub>	Output		Reference voltage output. See Table 3C.
8	V <sub>CF</sub>	Input		Reference voltage input. The voltage driven on V <sub>CF</sub> sets the logic transition threshold for D[9:0].
9, 24, 28	GND	Power		Power supply ground
10	LEN	Input	Pulldown	D inputs LOAD and HOLD control input. When HIGH, latches the D[9:0] bits. When LOW, the D[9:0] latches are transparent. Single-ended LVPECL interface levels. See Table 3B.
11	SETMIN	Input	Pulldown	Minimum delay set logic input. When HIGH, D[9:0] registers are reset. When LOW, the delay is set by SETMAX or D[9:0]. Default is LOW when left floating. Single-ended LVPECL interface levels. See Table 3D.
12	SETMAX	Input	Pulldown	Maximum delay set logic input. When SETMAX is set HIGH and SETMIN is set LOW, D[9:0] = 111111111. When SETMAX is LOW, the delay is set by SETMIN or D[9:0]. Default is low when left floating. Single-ended LVPECL interface levels. See Table 3D.
13, 18, 19, 22	V <sub>DD</sub>	Power		Positive supply pins.
16	nEN	Input	Pulldown	Single-ended control enable pin. When LOW, Q is delayed from IN. When HIGH, Q is a differential LOW. Default is LOW when left floating. Single-ended LVPECL interface levels. See Table 3A.
17	F <sub>TUNE</sub>	Analog Input		Fine tune delay control input. By varying the input voltage, it provides an additional delay finer than the 10ps digital resolution.
20, 21	nQ, Q	Output		Differential output pair. LVDS interface levels.

NOTE: Pullup and Pulldown refer to internal input resistors. See Table 2, Pin Characteristics, for typical values.

**Table 2. Pin Characteristics**

Symbol	Parameter	Test Conditions	Minimum	Typical	Maximum	Units
C <sub>IN</sub>	Input Capacitance			2		pF
R <sub>PULLUP</sub>	Input Pullup Resistor			50		kΩ
R <sub>PULLDOWN</sub>	Input Pulldown Resistor			50		kΩ

### Propagation Delay vs. $F_{TUNE}$ Voltage Graph



### Function Tables

Table 3A. Delay Enable

nEN	Q, nQ
0 (default)	IN, nIN delayed
1	Q = LOW, nQ = HIGH

Table 3B. Digital Control Latch

LEN	Latch Action
0 (default)	Pass Through D[9:0]
1	Latched D[9:0]

Table 3C.  $V_{CF}$  Connection for D[9:0] Logic Interface

Input	$V_{CF}$ Connection	D[9:0] Logic Interface
$V_{CF}$	$V_{EF}$ (NOTE 1)	LVPECL
$V_{CF}$	No Connect	LVC MOS
$V_{CF}$	1.5V source	LV TTL

NOTE 1: Short  $V_{CF}$  (pin 8) to  $V_{EF}$  (pin 7).

Table 3D. Theoretical Delta Delay Values

D[9:0] Value	SETMIN	SETMAX	Programmable Delay <sup>NOTE 1</sup> (ps)
XXXXXXXXXX	H	L	0
000000000	L	L	0 (default)
000000001	L	L	10
000000010	L	L	20
000000011	L	L	30
000000100	L	L	40
000000101	L	L	50
000000110	L	L	60
000000111	L	L	70
000001000	L	L	80
000010000	L	L	160
000100000	L	L	320
001000000	L	L	640
010000000	L	L	1280
100000000	L	L	2560
111111111	L	L	5120
XXXXXXXXXX	L	H	10230
XXXXXXXXXX	L	H	10240

NOTE 1: Fixed minimum delay not included.

NOTE: Refer to Table 6, AC Characteristics, for typical Step Delay values.

## Absolute Maximum Ratings

NOTE: Stresses beyond those listed under *Absolute Maximum Ratings* may cause permanent damage to the device. These ratings are stress specifications only. Functional operation of product at these conditions or any conditions beyond those listed in the *DC Characteristics* or *AC Characteristics* is not implied. Exposure to absolute maximum rating conditions for extended periods may affect product reliability.

Item	Rating
Supply Voltage, $V_{DD}$	4.6V
Inputs, $V_I$	-0.5V to $V_{DD} + 0.5V$
Outputs, $I_O$ (LVDS) Continuous Current Surge Current	10mA 15mA
Package Thermal Impedance, $\theta_{JA}$	39.5°C/W (0 mps)
Storage Temperature, $T_{STG}$	-65°C to 150°C

## DC Electrical Characteristics

**Table 5A. Power Supply DC Characteristics,  $V_{DD} = 3.3V \pm 0.3V$ ,  $T_A = -40^\circ C$  to  $85^\circ C$**

Symbol	Parameter	Test Conditions	Minimum	Typical	Maximum	Units
$V_{DD}$	Positive Supply Voltage		3.0	3.3	3.6	V
$I_{DD}$	Power Supply Current	No load, max $V_{DD}$			150	mA

**Table 5B. LVCMOS/LVTTL DC Characteristics,  $V_{DD} = 3.3V \pm 0.3V$ ,  $T_A = -40^\circ C$  to  $85^\circ C$**

Symbol	Parameter	Test Conditions	Minimum	Typical	Maximum	Units
$V_{IH}$	Input High Voltage		2.2		$V_{DD} + 0.3$	V
$V_{IL}$	Input Low Voltage		-0.3		0.8	V
$I_{IH}$	Input High Current	D[9:0] $V_{DD} = V_{IN} = 3.6V$			150	$\mu A$
$I_{IL}$	Input Low Current	D[9:0] $V_{DD} = 3.6V, V_{IN} = 0V$	-10			$\mu A$

**Table 5C. LVPECL Differential DC Characteristics,  $V_{DD} = 3.3V \pm 0.3V$ ,  $GND = 0V$ ,  $T_A = -40^\circ C$  to  $85^\circ C$**

Symbol	Parameter	Test Conditions	Minimum	Typical	Maximum	Units
$I_{IH}$	Input High Current	$I_N, nIN$ $V_{DD} = V_{IN} = 3.6V$			150	$\mu A$
$I_{IL}$	Input Low Current	$I_N$ $V_{DD} = 3.6V, V_{IN} = 0V$	-10			$\mu A$
		$nIN$ $V_{DD} = 3.6V, V_{IN} = 0V$	-150			$\mu A$
$V_{PP}$	Peak-to-Peak Voltage		0.15		1.3	V
$V_{CMR}$	Common Mode Range; NOTE 1		$GND + 1.2$		$V_{DD}$	V
$V_{BB}$	Output Voltage Reference		$V_{DD} - 1.55$	$V_{DD} - 1.35$	$V_{DD} - 1.15$	V
$V_{EF}$	Mode Connection		$V_{DD} - 1.40$	$V_{DD} - 1.30$	$V_{DD} - 1.20$	V

NOTE 1: Common mode input voltage is defined as  $V_{IH}$ .

**Table 5D. LVPECL Single-Ended DC Characteristics,  $V_{DD} = 3.3V \pm 0.3V$ , GND = 0V,  $T_A = -40^\circ\text{C}$  to  $85^\circ\text{C}$** 

Symbol	Parameter	Test Conditions	Minimum	Typical	Maximum	Units
$V_{IH}$	Input High Voltage; NOTE 1	IN, nIN, LEN, D[9:0], nEN, SETMIN, SETMAX	$V_{DD} - 1.3$		$V_{DD} - 0.940$	V
$V_{IL}$	Input Low Voltage; NOTE 1	IN, nIN, LEN, D[9:0], nEN, SETMIN, SETMAX	$V_{DD} - 1.870$		$V_{DD} - 1.45$	V
$I_{IH}$	Input High Current	IN, nIN, LEN, D[9:0], nEN, SETMIN, SETMAX	$V_{DD} = V_{IN} = 3.6V$		150	$\mu\text{A}$
$I_{IL}$	Input Low Current	SETMIN, SETMAX, IN, LEN, D[9:0], nEN	$V_{DD} = 3.6V, V_{IN} = 0V$	-10		$\mu\text{A}$
		nIN	$V_{DD} = 3.6V, V_{IN} = 0V$	-150		$\mu\text{A}$

NOTE 1: To enable LVPECL interface levels on pins D[9:0], pin 7 must be shorted to pin 8. See Table 3C.

**Table 5E. LVDS DC Characteristics,  $V_{DD} = 3.3V \pm 0.3V$ ,  $T_A = -40^\circ\text{C}$  to  $85^\circ\text{C}$** 

Symbol	Parameter	Test Conditions	Minimum	Typical	Maximum	Units
$V_{OD}$	Differential Output Voltage		350		650	mV
$\Delta V_{OD}$	$V_{OD}$ Magnitude Change				50	mV
$V_{OS}$	Offset Voltage		1.10		1.30	V
$\Delta V_{OS}$	$V_{OS}$ Magnitude Change				50	mV

## AC Electrical Characteristics

**Table 6. AC Characteristics,  $V_{DD} = 3.3V \pm 0.3V$ ,  $T_A = -40^{\circ}C$  to  $85^{\circ}C$**

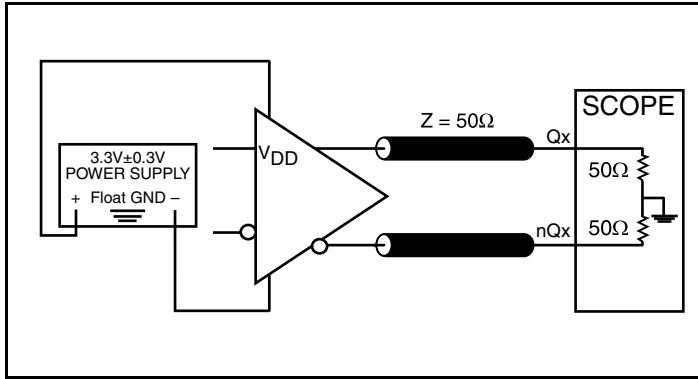
Symbol	Parameter	Test Conditions	Minimum	Typical	Maximum	Units	
$f_{OUT}$	Output Frequency				1.2	GHz	
$t_{PD}$	Propagation Delay	IN to Q, nQ	$Dx = 0$	1800	2200	2700	ps
		IN to Q, nQ	$Dx = 1023$	10000	12500	15000	ps
		nEN to Q, nQ	$Dx = 0$	1900	2200	2700	ps
$t_{PD\_RANGE}$	Programmable Propagation Range	$t_{PD\_MAX} - t_{PD\_MIN}$	8200			ps	
$\Delta t$	Step Delay		D0 = HIGH		15		ps
			D1 = HIGH		25		ps
			D2 = HIGH		45		ps
			D3 = HIGH		85		ps
			D4 = HIGH		165		ps
			D5 = HIGH		330		ps
			D6 = HIGH		645		ps
			D7 = HIGH		1270		ps
			D8 = HIGH		2540		ps
			D9 = HIGH		5075		ps
	D[9:0] = HIGH		10135		ps		
INL	Integral Non-Linearity; NOTE 1			$\pm 10$		ps	
$t_S$	Setup Time	D to LEN			-185		ps
		D to IN, nIN			-200		ps
		nEN to IN, IN			-360		ps
$t_H$	Hold Time	LEN to D			-275		ps
		IN, nIN to nEN			-875		ps
$t_R$	Release Time	nEN to IN, nIN			465		ps
		SETMAX to LEN			735		ps
		SETMIN to LEN			775		ps
$t_R / t_F$	Output Rise/Fall Time	Q, nQ	20% to 80% at 100MHz	70		300	ps
odc	Output Duty Cycle		$f_{OUT} \leq 625MHz$	40		60	%

NOTE: Characterized up to  $f_{OUT} = 1.2GHz$  unless noted otherwise.

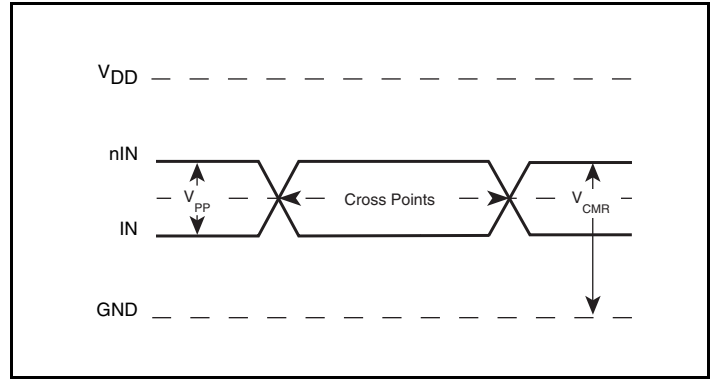
NOTE: Electrical parameters are guaranteed over the specified ambient operating temperature range, which is established when the device is mounted in a test socket with maintained transverse airflow greater than 500 lpm. The device will meet specifications after thermal equilibrium has been reached under these conditions.

NOTE 1: Deviation from a linear delay (actual Min. to Max.) in the 1024 programmable steps.

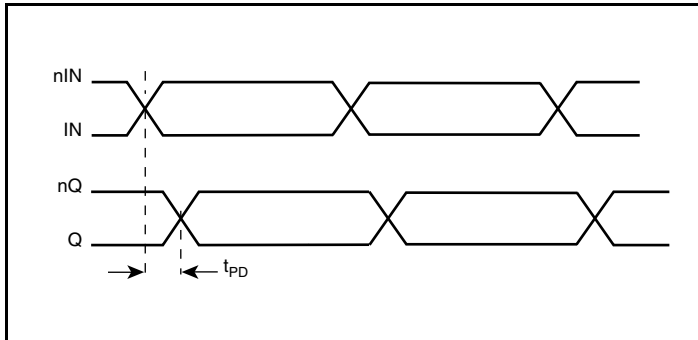
## Parameter Measurement Information



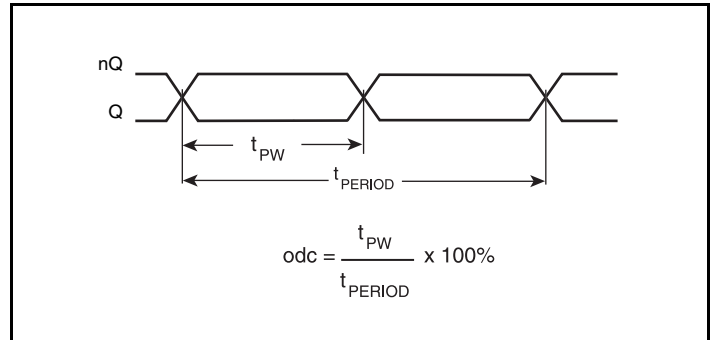
LVDS Output Load Test Circuit



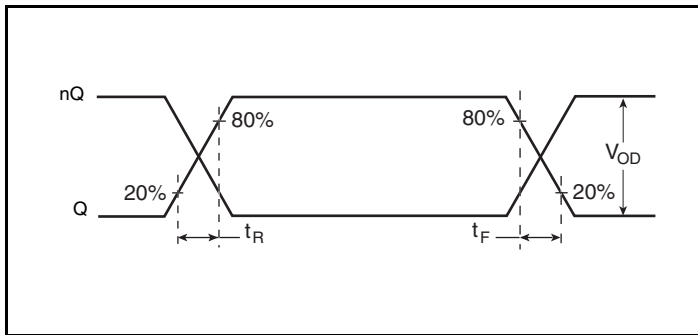
Differential Input Level



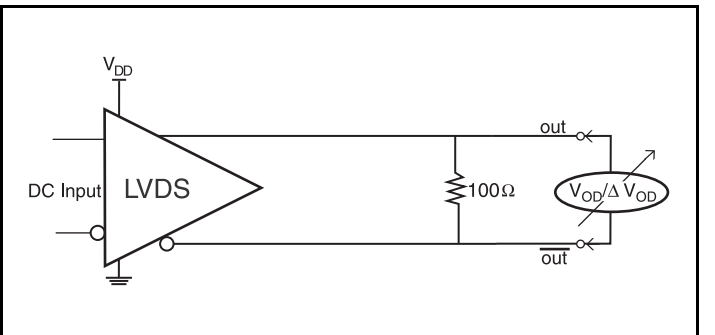
Propagation Delay



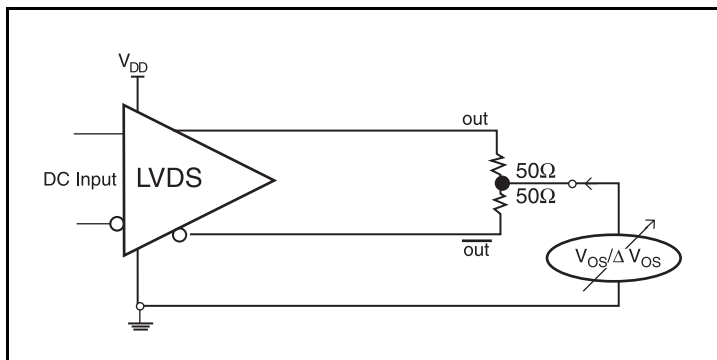
Output Duty Cycle/Pulse Width/Period



Output Rise/Fall Time



Differential Output Voltage Setup



Offset Voltage Setup



## Applications Information

### Recommendations for Unused Input Pins

#### Inputs:

##### LVC MOS Control Pins

All control pins have internal pulldown resistors; additional resistance is not required but can be added for additional protection. A 1k $\Omega$  resistor can be used.

### Wiring the Differential Input to Accept Single-Ended Levels

Figure 1 shows how a differential input can be wired to accept single ended levels. The reference voltage  $V_1 = V_{DD}/2$  is generated by the bias resistors R1 and R2. The bypass capacitor (C1) is used to help filter noise on the DC bias. This bias circuit should be located as close to the input pin as possible. The ratio of R1 and R2 might need to be adjusted to position the  $V_1$  in the center of the input voltage swing. For example, if the input clock swing is 2.5V and  $V_{DD} = 3.3V$ , R1 and R2 value should be adjusted to set  $V_1$  at 1.25V. The values below are for when both the single ended swing and  $V_{DD}$  are at the same voltage. This configuration requires that the sum of the output impedance of the driver ( $R_o$ ) and the series resistance ( $R_s$ ) equals the transmission line impedance. In addition, matched termination at the input will attenuate the signal in half. This can be done in one of two ways. First, R3 and R4 in parallel should equal the transmission line

impedance. For most 50 $\Omega$  applications, R3 and R4 can be 100 $\Omega$ . The values of the resistors can be increased to reduce the loading for slower and weaker LVC MOS driver. When using single-ended signaling, the noise rejection benefits of differential signaling are reduced. Even though the differential input can handle full rail LVC MOS signaling, it is recommended that the amplitude be reduced. The datasheet specifies a lower differential amplitude, however this only applies to differential signals. For single-ended applications, the swing can be larger, however  $V_{IL}$  cannot be less than -0.3V and  $V_{IH}$  cannot be more than  $V_{DD} + 0.3V$ . Though some of the recommended components might not be used, the pads should be placed in the layout. They can be utilized for debugging purposes. The datasheet specifications are characterized and guaranteed by using a differential signal.

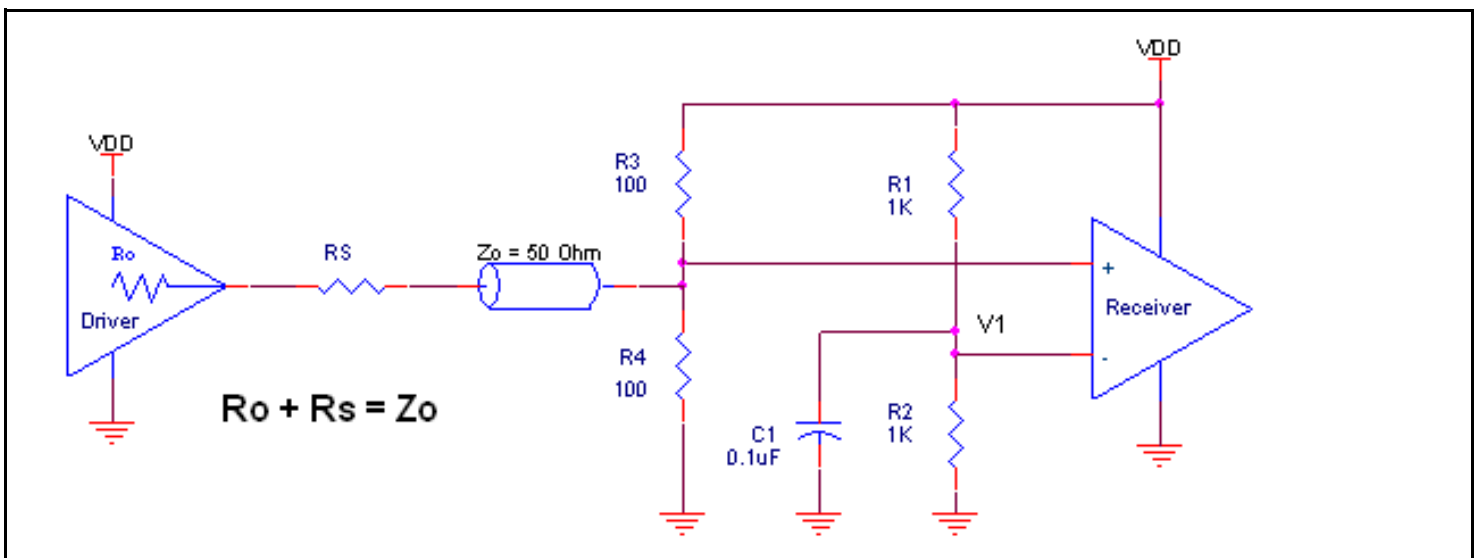


Figure 1. Recommended Schematic for Wiring a Differential Input to Accept Single-ended Levels

## LVPECL Clock Input Interface

The IN/nIN accepts LVPECL, CML, LVDS and other differential signals. Both differential signals must meet the  $V_{PP}$  and  $V_{CMR}$  input requirements. *Figures 2A to 2E* show interface examples for the IN/nIN input driven by the most common driver types. The input

interfaces suggested here are examples only. If the driver is from another vendor, use their termination recommendation. Please consult with the vendor of the driver component to confirm the driver termination requirements.

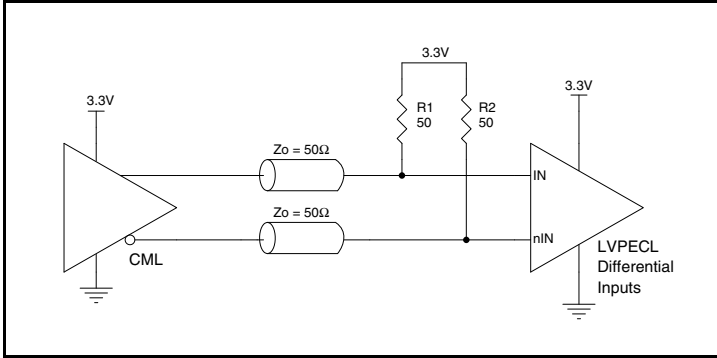


Figure 2A. IN/nIN Input Driven by a CML Driver

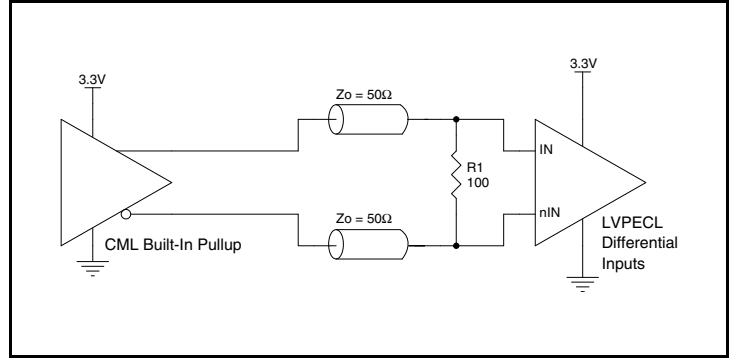


Figure 2B. IN/nIN Input Driven by a Built-In Pullup CML Driver

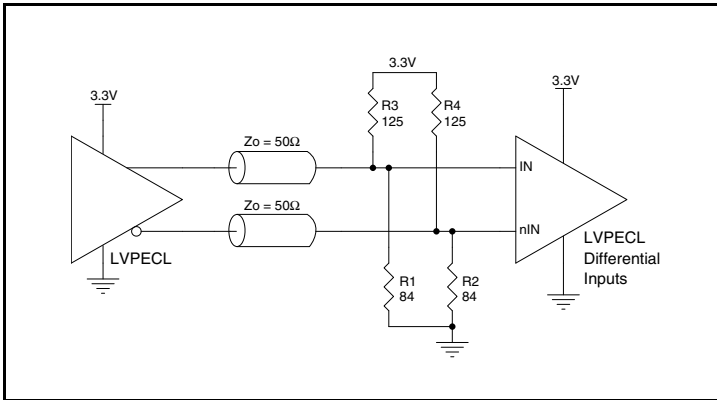


Figure 2C. IN/nIN Input Driven by a 3.3V LVPECL Driver

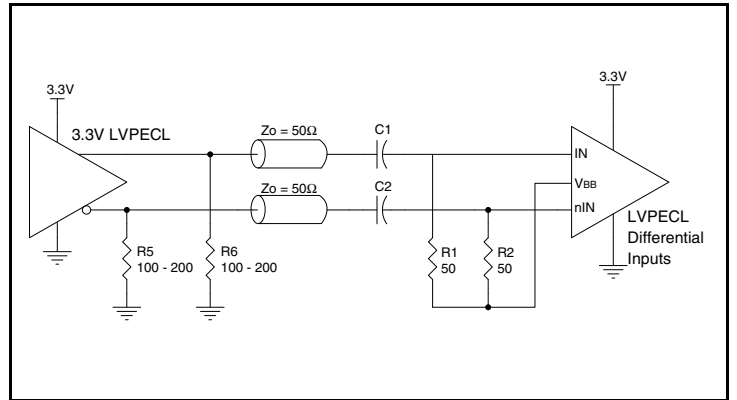


Figure 2D. IN/nIN Input Driven by a 3.3V LVPECL Driver with AC Couple

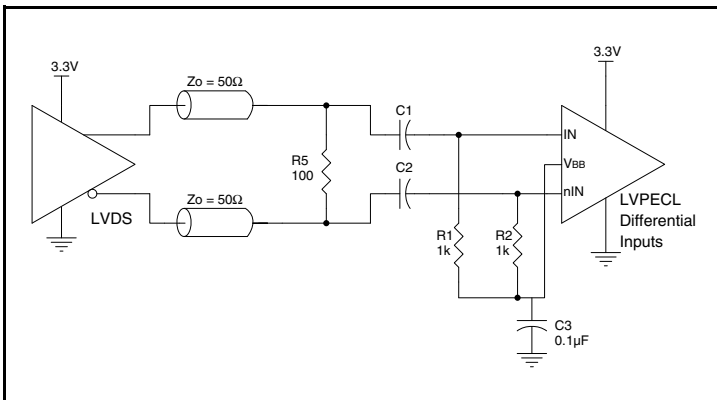


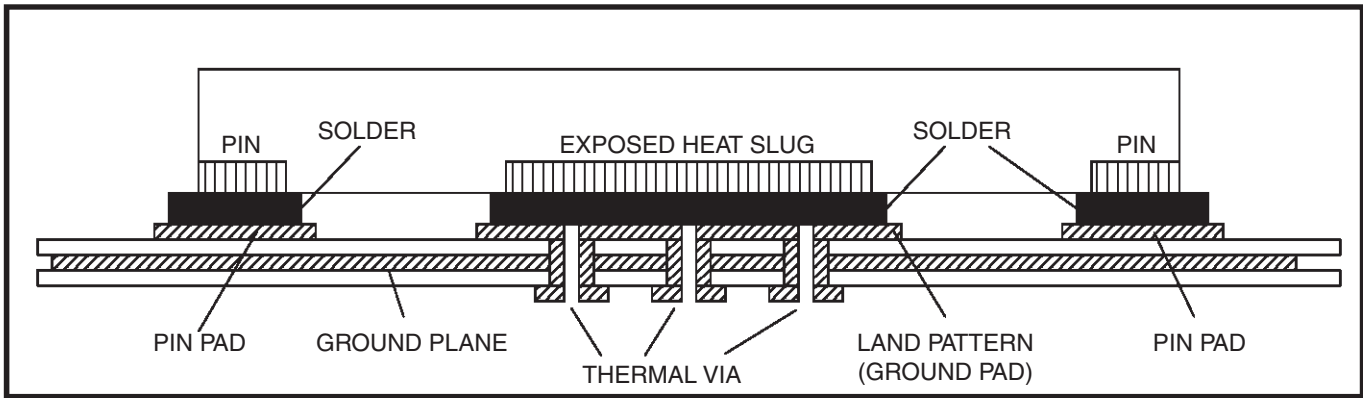
Figure 2E. IN/nIN Input Driven by a 3.3V LVDS Driver

### VFQFN EPAD Thermal Release Path

In order to maximize both the removal of heat from the package and the electrical performance, a land pattern must be incorporated on the Printed Circuit Board (PCB) within the footprint of the package corresponding to the exposed metal pad or exposed heat slug on the package, as shown in *Figure 3*. The solderable area on the PCB, as defined by the solder mask, should be at least the same size/shape as the exposed pad/slug area on the package to maximize the thermal/electrical performance. Sufficient clearance should be designed on the PCB between the outer edges of the land pattern and the inner edges of pad pattern for the leads to avoid any shorts.

While the land pattern on the PCB provides a means of heat transfer and electrical grounding from the package to the board through a solder joint, thermal vias are necessary to effectively conduct from the surface of the PCB to the ground plane(s). The land pattern must be connected to ground through these vias. The vias act as “heat pipes”. The number of vias (i.e. “heat pipes”) are application specific

and dependent upon the package power dissipation as well as electrical conductivity requirements. Thus, thermal and electrical analysis and/or testing are recommended to determine the minimum number needed. Maximum thermal and electrical performance is achieved when an array of vias is incorporated in the land pattern. It is recommended to use as many vias connected to ground as possible. It is also recommended that the via diameter should be 12 to 13mils (0.30 to 0.33mm) with 1oz copper via barrel plating. This is desirable to avoid any solder wicking inside the via during the soldering process which may result in voids in solder between the exposed pad/slug and the thermal land. Precautions should be taken to eliminate any solder voids between the exposed heat slug and the land pattern. Note: These recommendations are to be used as a guideline only. For further information, please refer to the Application Note on the Surface Mount Assembly of Amkor’s Thermally/Electrically Enhance Leadframe Base Package, Amkor Technology.

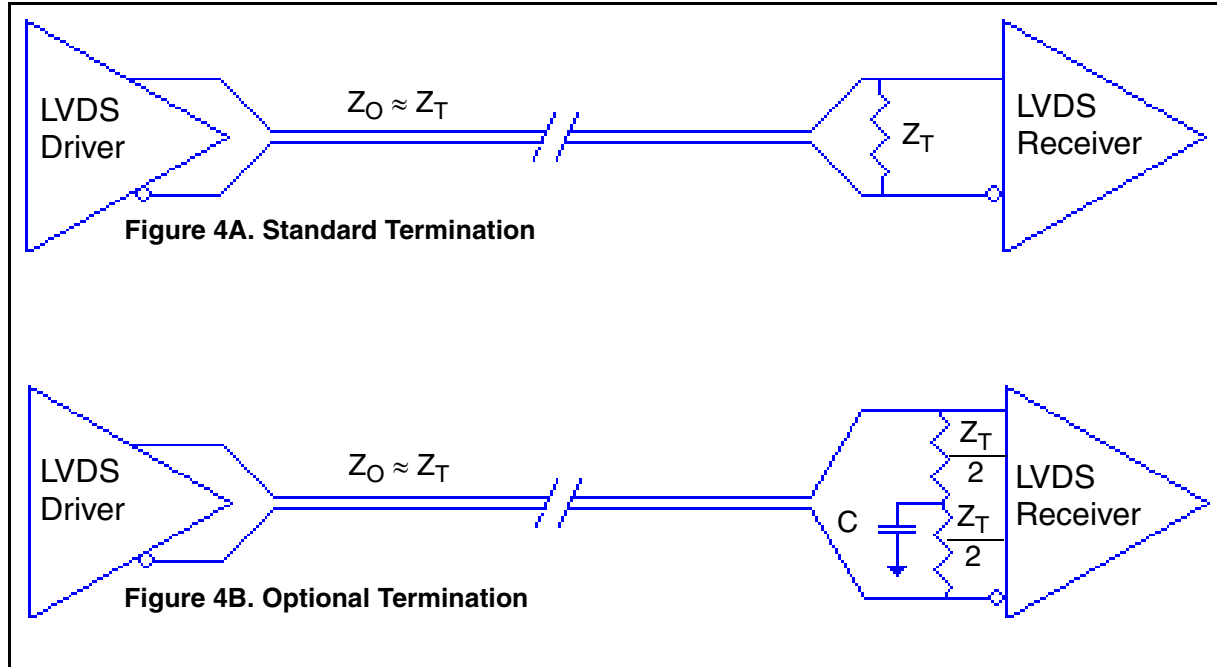


**Figure 3. P.C. Assembly for Exposed Pad Thermal Release Path – Side View (drawing not to scale)**

## LVDS Driver Termination

For a general LVDS interface, the recommended value for the termination impedance ( $Z_T$ ) is between  $90\Omega$  and  $132\Omega$ . The actual value should be selected to match the differential impedance ( $Z_0$ ) of your transmission line. A typical point-to-point LVDS design uses a  $100\Omega$  parallel resistor at the receiver and a  $100\Omega$  differential transmission-line environment. In order to avoid any transmission-line reflection issues, the components should be surface mounted and must be placed as close to the receiver as possible. IDT offers a full line of LVDS compliant devices with two types of output structures: current source and voltage source type. The

standard termination schematic as shown in *Figure 4A* can be used with either type of output structure. *Figure 4B*, which can also be used with both output types, is an optional termination with center tap capacitance to help filter common mode noise. The capacitor value should be approximately  $50\text{pF}$ . If using a non-standard termination, it is recommended to contact IDT and confirm if the output structure is current source or voltage source type. In addition, since these outputs are LVDS compatible, the input receiver's amplitude and common-mode input range should be verified for compatibility with the output.



LVDS Termination

## Schematic Layout

Figure 5 (next page) shows an example ICS854S296I-33 application schematic. The schematic focuses on functional connections and is not configuration specific. Input and output terminations shown are intended as examples only and may not represent the exact user configuration. Refer to the pin description and functional tables in the datasheet to ensure the logic control inputs are properly set.

In this example schematic, the input is driven by a 3.3V LVPECL driver but HCSL or LVDS inputs will work as well.  $V_{CF}$  is depicted as a No Connect, which selects LVCMOS levels for pins D[9:0]. D[9:0], nEN, LEN, SETMIN and SETMAX are set by pull up and pull down resistors for compensation of a static delay, the most common application. LEN can be hardwired to a logic low so that D[9:0] pin values are not latched, but instead directly set the internal logic values. This allows pin strapping to avoid the need for an external control of the LEN latch pin.

All the control pins can be defined with an FPGA, rather than pull up and pull down resistors as shown in the schematic, if the delay is determined after board fabrication or if the delay requirement is dependant on the exact system configuration. Note that nEN, LEN, SETMIN, SETMAX are LVPECL levels by design but can be overdriven by LVCMOS input levels, as is done with the external pull ups and pull downs in this example.

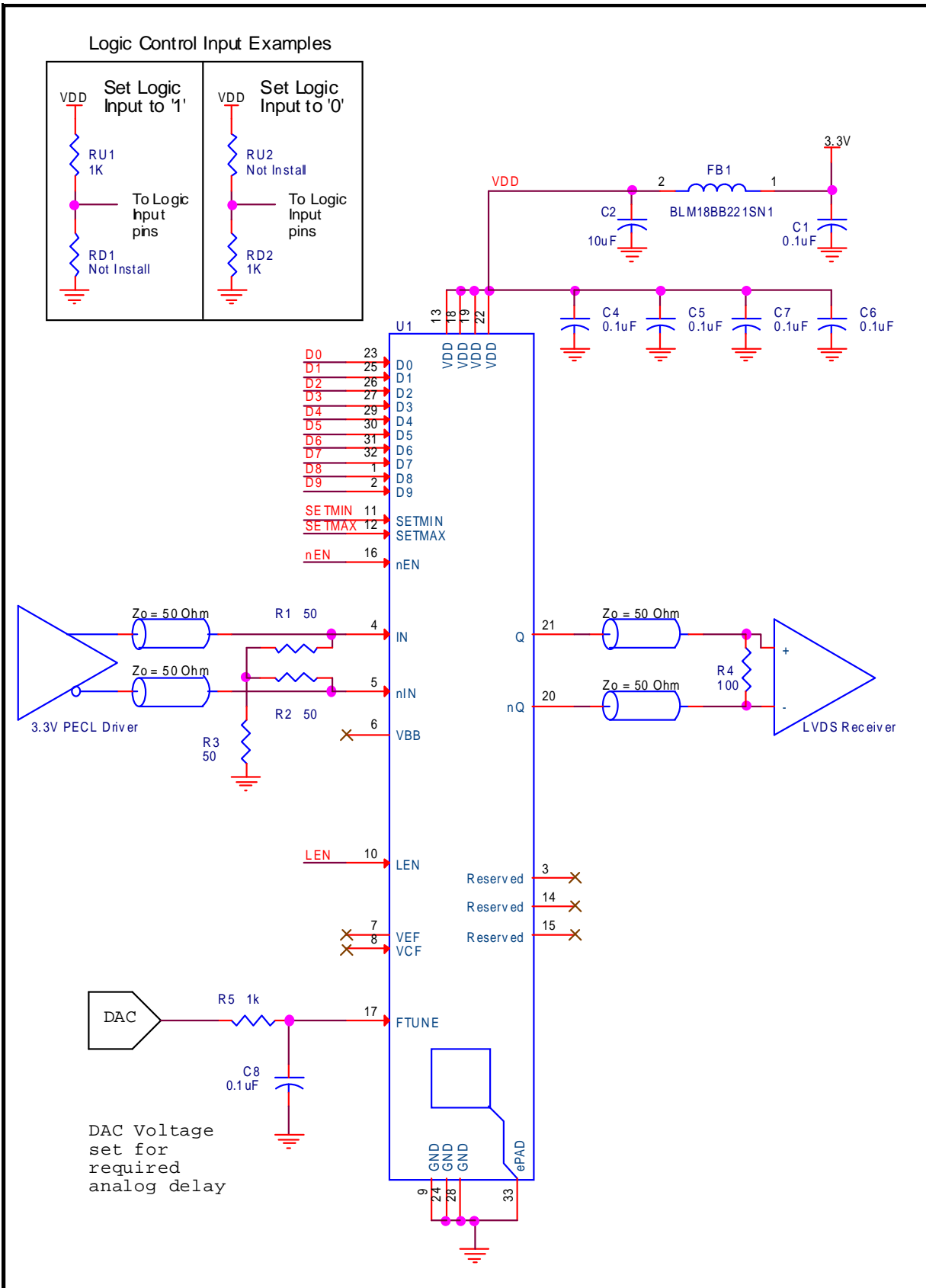
FTUNE allows for interpolation of the total path delay between the resolution of the D[9:0] step size for higher frequency clocks. This pin has an RC low pass filter to suppress any noise coupled onto  $F_{TUNE}$ .  $F_{TUNE}$  can also be set with a voltage divider if the required delay is

known beforehand, but use of a DAC, as shown in the schematic allows for finer control of the delay. For lower frequency clocks this pin can instead be pulled to ground to set the analog delay to zero.

To achieve optimum jitter performance, device power supply isolation from the board supply is required. The ICS854S296I-33 provides separate  $V_{DD}$  and GND pins for optimum power filtering across the device.

In order to achieve the best possible filtering, it is highly recommended that the 0.1uF capacitors directly connected to the power and FTUNE pins be placed on the device side of the PCB as close to their corresponding pins as possible. This is represented by the placement of these capacitors in the schematic. If space is limited, the ferrite beads, 10uF and 0.1uF capacitor connected to 3.3V can be placed on the opposite side of the PCB. If space permits, place all filter components on the device side of the board.

Power supply filter recommendations are a general guideline to be used for reducing external noise from coupling into the devices. The filter performance is designed for a wide range of noise frequencies. This low-pass filter starts to attenuate noise at approximately 10kHz. If a specific frequency noise component is known, such as switching power supplies frequencies, it is recommended that component values be adjusted and if required, additional filtering be added. Additionally, good general design practices for power plane voltage stability suggests adding bulk capacitance in the local area of all devices.



**Figure 5. ICS854S296I-33 Application Schematic**

## Power Considerations

This section provides information on power dissipation and junction temperature for the ICS854S296I-33. Equations and example calculations are also provided.

### 1. Power Dissipation.

The total power dissipation for the ICS854S296I-33 is the sum of the core power plus the power dissipated in the load(s). The following is the power dissipation for  $V_{DD} = 3.3V + 0.3V = 3.6V$ , which gives worst case results.

The maximum current at 85°C is as follows:

$$I_{DD\_MAX} = 150mA$$

- $Power\_MAX = V_{DD\_MAX} * I_{DD\_MAX} = 3.6V * 150mA = 540mW$

### 2. Junction Temperature.

Junction temperature,  $T_j$ , is the temperature at the junction of the bond wire and bond pad, and directly affects the reliability of the device. The maximum recommended junction temperature is 125°C. Limiting the internal transistor junction temperature,  $T_j$ , to 125°C ensures that the bond wire and bond pad temperature remains below 125°C.

The equation for  $T_j$  is as follows:  $T_j = \theta_{JA} * Pd\_total + T_A$

$T_j$  = Junction Temperature

$\theta_{JA}$  = Junction-to-Ambient Thermal Resistance

$Pd\_total$  = Total Device Power Dissipation (example calculation is in section 1 above)

$T_A$  = Ambient Temperature

In order to calculate junction temperature, the appropriate junction-to-ambient thermal resistance  $\theta_{JA}$  must be used. Assuming no air flow and a multi-layer board, the appropriate value is 39.5°C/W per Table 7 below.

Therefore,  $T_j$  for an ambient temperature of 85°C with all outputs switching is:

$$85^\circ C + 0.540W * 39.5^\circ C/W = 106.3^\circ C. \text{ This is below the limit of } 125^\circ C.$$

This calculation is only an example.  $T_j$  will obviously vary depending on the number of loaded outputs, supply voltage, air flow and the type of board (multi-layer).

**Table 7. Thermal Resistance  $\theta_{JA}$  for 32 Lead VFQFN, Forced Convection**

Meters per Second	$\theta_{JA}$ by Velocity		
	0	1	2.5
Multi-Layer PCB, JEDEC Standard Test Boards	39.5°C/W	34.5°C/W	31.0°C/W

## Reliability Information

**Table 8.  $\theta_{JA}$  vs. Air Flow Table for a 32 Lead VFQFN**

$\theta_{JA}$ vs. Air Flow			
Meters per Second	0	1	2.5
Multi-Layer PCB, JEDEC Standard Test Boards	39.5°C/W	34.5°C/W	31.0°C/W

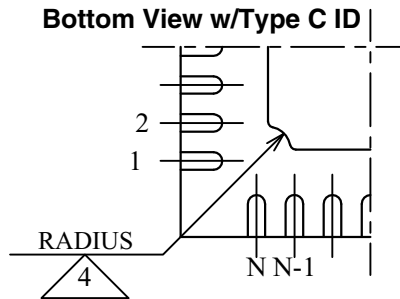
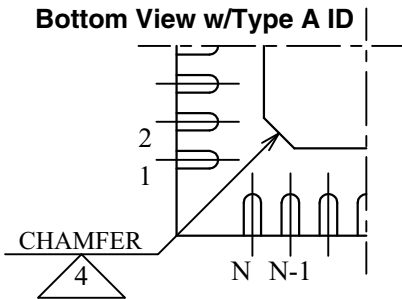
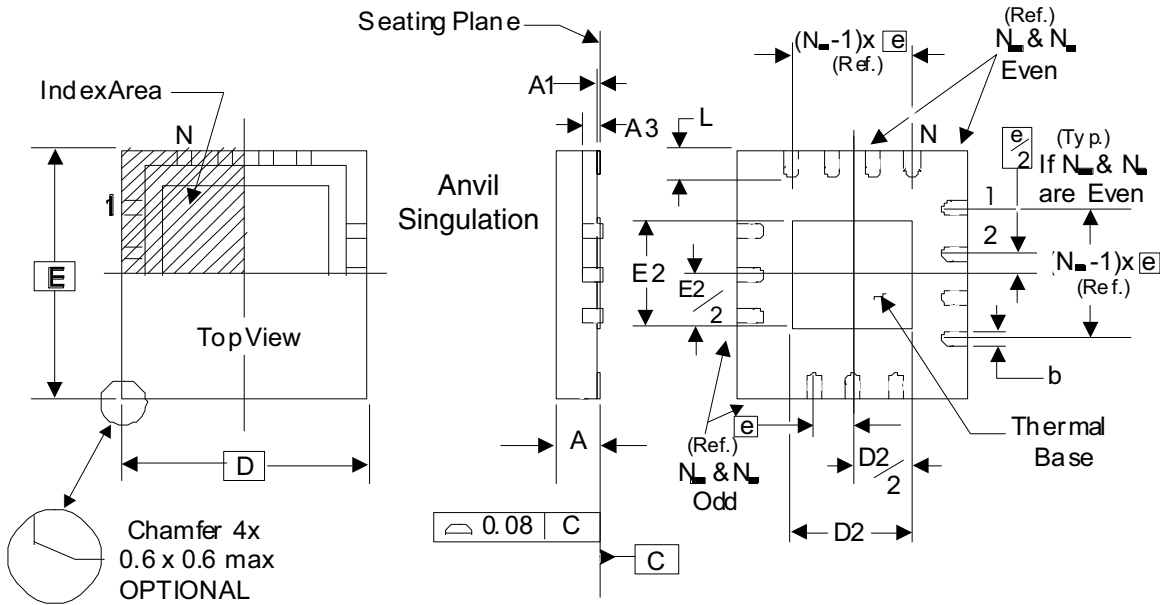
## Transistor Count

The transistor count for ICS854S296I-33 is: 8686



# Package Outline and Package Dimensions

## Package Outline - K Suffix for 32 Lead VFQFN



There are 2 methods of indicating pin 1 corner at the back of the VFQFN package:

1. Type A: Chamfer on the paddle (near pin 1)
2. Type C: Mouse bite on the paddle (near pin 1)

**Table 9. Package Dimensions**

JEDEC Variation: VHHD-2/-4			
All Dimensions in Millimeters			
Symbol	Minimum	Nominal	Maximum
$N$	32		
$A$	0.80		1.00
$A1$	0		0.05
$A3$	0.25 Ref.		
$b$	0.18	0.25	0.30
$N_D$ & $N_E$			8
$D$ & $E$	5.00 Basic		
$D2$ & $E2$	3.0		3.3
$e$	0.50 Basic		
$L$	0.30	0.40	0.50

Reference Document: JEDEC Publication 95, MO-220

NOTE: The mechanical package drawing is a generic drawing that applies to any pin count VFQFN package. This drawing is not intended to convey the actual pin count or pin layout of this device. The pin count and pinout are shown on the front page. The package dimensions are in Table 9.

## Ordering Information

Table 10. Ordering Information

Part/Order Number	Marking	Package	Shipping Packaging	Temperature
854S296DKI-33LF	ICS296DI33L	Lead-Free, 32 Lead VFQFN	Tray	-40°C to +85°C
854S296DKI-33LFT	ICS296DI33L	Lead-Free, 32 Lead VFQFN	Tape & Reel	-40°C to +85°C

## Revision History Sheet

Rev	Table	Page	Description of Change	Date
A	T1 T5D	3 6	Pin Description Table, corrected Pin 6, $V_{BB}$ description. LVPECL Single-ended DC Characteristics Table - deleted Note 2.	1/15/2014



## IMPORTANT NOTICE AND DISCLAIMER

RENESAS ELECTRONICS CORPORATION AND ITS SUBSIDIARIES (“RENESAS”) PROVIDES TECHNICAL SPECIFICATIONS AND RELIABILITY DATA (INCLUDING DATASHEETS), DESIGN RESOURCES (INCLUDING REFERENCE DESIGNS), APPLICATION OR OTHER DESIGN ADVICE, WEB TOOLS, SAFETY INFORMATION, AND OTHER RESOURCES “AS IS” AND WITH ALL FAULTS, AND DISCLAIMS ALL WARRANTIES, EXPRESS OR IMPLIED, INCLUDING, WITHOUT LIMITATION, ANY IMPLIED WARRANTIES OF MERCHANTABILITY, FITNESS FOR A PARTICULAR PURPOSE, OR NON-INFRINGEMENT OF THIRD PARTY INTELLECTUAL PROPERTY RIGHTS.

These resources are intended for developers skilled in the art designing with Renesas products. You are solely responsible for (1) selecting the appropriate products for your application, (2) designing, validating, and testing your application, and (3) ensuring your application meets applicable standards, and any other safety, security, or other requirements. These resources are subject to change without notice. Renesas grants you permission to use these resources only for development of an application that uses Renesas products. Other reproduction or use of these resources is strictly prohibited. No license is granted to any other Renesas intellectual property or to any third party intellectual property. Renesas disclaims responsibility for, and you will fully indemnify Renesas and its representatives against, any claims, damages, costs, losses, or liabilities arising out of your use of these resources. Renesas' products are provided only subject to Renesas' Terms and Conditions of Sale or other applicable terms agreed to in writing. No use of any Renesas resources expands or otherwise alters any applicable warranties or warranty disclaimers for these products.

(Rev.1.0 Mar 2020)

### Corporate Headquarters

TOYOSU FORESIA, 3-2-24 Toyosu,  
Koto-ku, Tokyo 135-0061, Japan  
[www.renesas.com](http://www.renesas.com)

### Contact Information

For further information on a product, technology, the most up-to-date version of a document, or your nearest sales office, please visit:  
[www.renesas.com/contact/](http://www.renesas.com/contact/)

### Trademarks

Renesas and the Renesas logo are trademarks of Renesas Electronics Corporation. All trademarks and registered trademarks are the property of their respective owners.