

# Data Sheet

- ITEM : ESD FILTER

-PART NO : ICVE10184E150R101FR

## 1. Scope

- This specification applies to R-varistor for EMI & ESD devices.
- The specification can be modified by documentary agreement between design engineers and customers.

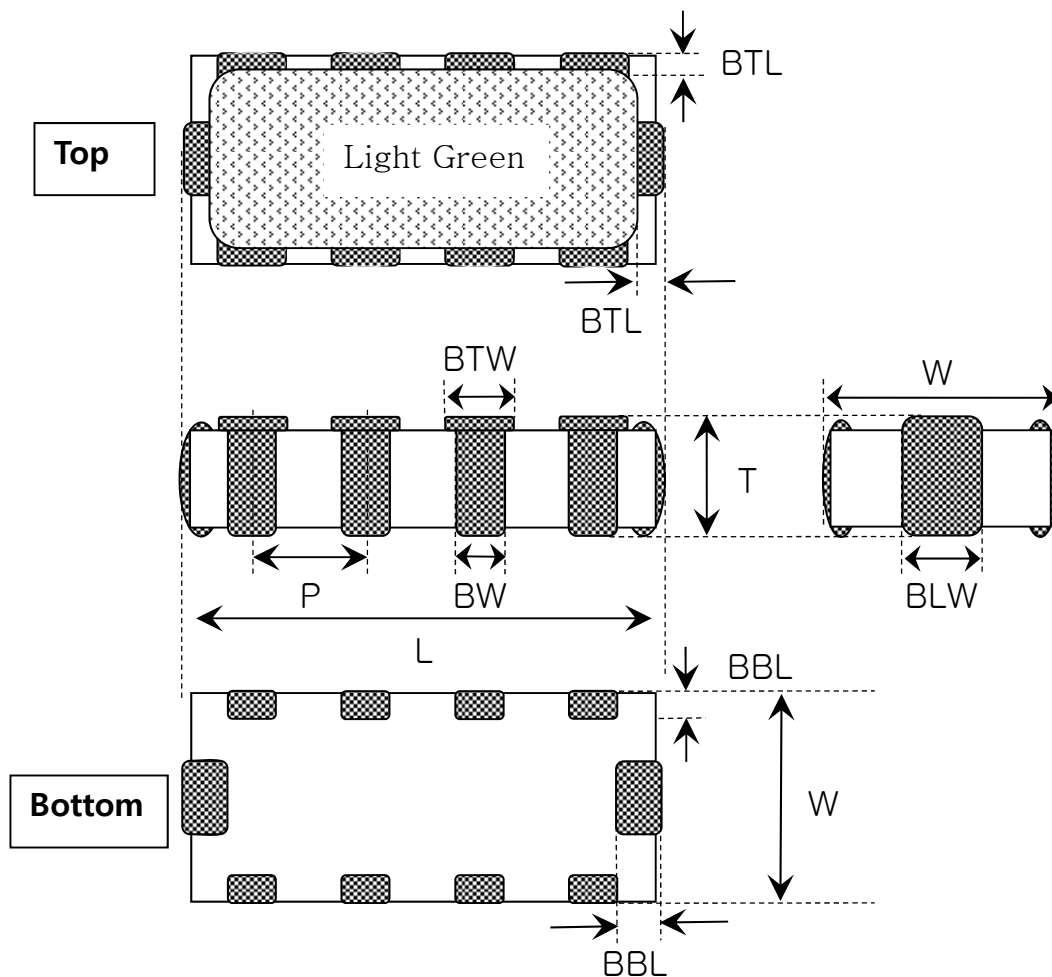
## 2. Features

- 4 EMI filter lines per device.
- Multilayer chip EMI suppression filter utilizing  $\pi$ -type circuit.
- Very thin (max. 0.50t) and low space consuming(1.6X0.8mm<sup>2</sup>) size.
- Steep attenuation characteristic plot, Highly effective noise suppression.
- Covers a wide range of frequencies.
- No asymmetrical degradation.
- Simpler fabricating process than diode-type filters.
- Soldering of plating type terminations guarantee high physical and electrical reliability.

## 3. Applications

- Where EMI filtering in ESD sensitive equipment is required.
- Mobile Phones
- Computers and Printers
- Communication Systems
- Internet Appliances
- PDAs
- Laptop Computers

## 4. Configuration and Dimensions



Unit : mm

Symbol	Dimensions	Symbol	Dimensions
L	1.60±0.10	BTL	0.08±0.03
W	0.80±0.10	BBL	0.10±0.03
T	0.50max	BTW	0.22±0.05
P	0.40±0.05	BLW	0.23±0.05
BW	0.20±0.05		

## 5. Part Number Code

**ICVE 10 18 4E 150 R101 F R**

①      ②      ③      ④      ⑤      ⑥      ⑦      ⑧

### ① SERIES NAME

CODE	PRODUCT NAME
ICVE	EMI Filter Array chip Varistor

### ② SIZE DESIGNATOR

CODE	SIZE(mm)
10	1.6 × 0.8

### ③ WORKING VOLTAGE

CODE	VOLTAGE(VDC)
05	5.6
09	9
14	14
18	18

### ④ NUMBER OF ELEMENT

CODE	NUMBER OF ELEMENT
4E	4 Element

### ⑤ C line CAPACITANCE

CODE	CAPACITANCE@1MHz(pF)
050	5
070	7.5
150	15
250	25
300	30
500	50

### ⑥ RESISTANCE

CODE	RESISTANCE(Ω)
R100	10
R500	50
R101	100
R201	200
R401	400

### ⑦ TERMINATION

CODE	TYPE
F	Electroplate (Pb-free)

### ⑧ PACKING TYPE

CODE	TYPE
R	Tape & Reel pack

## 6. Nominal Specifications

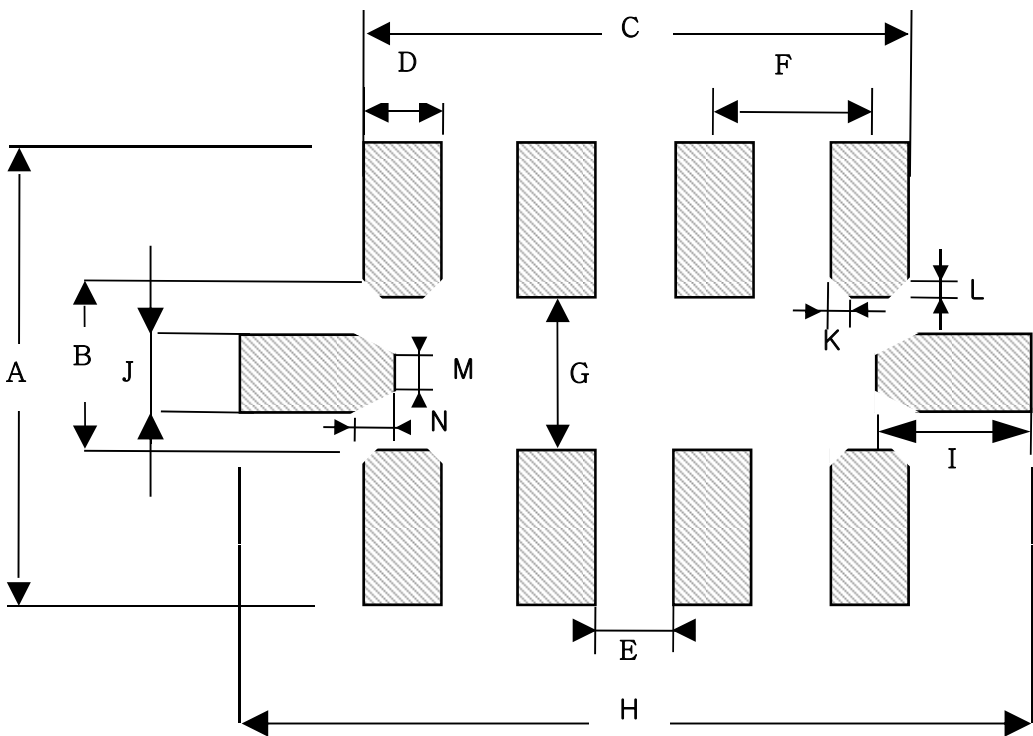
Chip Size	ICT Part Number	Leakage Current	Varistor Voltage	Clamping Voltage	Peak Current	Resistance	Capacitance
	symbol	$I_L$	$V_B$	$V_C$	$I_{peak}$	R	C line
	Units	Amp (max.)	volts	volts (typ.)	Amp (max.)	Ohm (max.)	pF (typ.)
	Test Condition	18V	1mA DC	8/20 $\mu$ s @ 1A	8/20 $\mu$ s	25°C	0.5Vrms @1MHz
1608	ICVE10184E150R101	<20 $\mu$ A	24-36	50	10	100( $\pm$ 30%)	15( $\pm$ 30%)

ICT Part Number	Frequency(MHz)	Attenuation(dB)	Cut-off Frequency(MHz)
ICVE10184E150R101	900-2,000	minimum	Typical(-3dB)
		-20	200

### ■ TERMINOLOGY

- $I_L$  : Maximum steady state DC operating voltage the varistor can maintain and not exceed 20 $\mu$ A leakage current.
- $V_B$  : Voltage across the device measured at 1mA DC current
- $V_C$  : Maximum peak voltage across the varistor measured at a specified pulse and waveform  
Pulse Current : 1A ,      Waveform : 8/20 $\mu$ s
- $I_{peak}$  : Maximum peak current which may be applied with the specified waveform without device failure
- C : Device capacitance measured with zero volt bias 0.5Vrms and 1MHz

## 7. LAND PATTERN

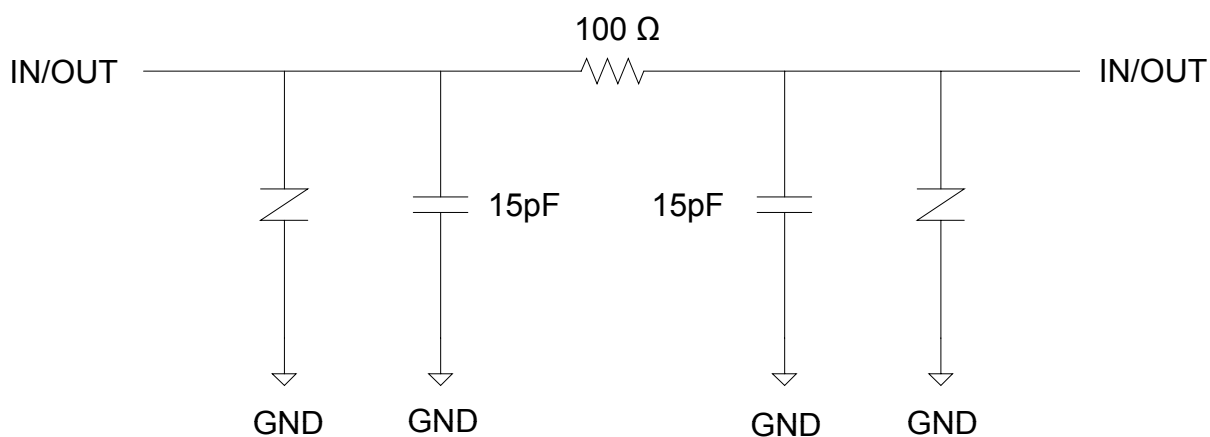
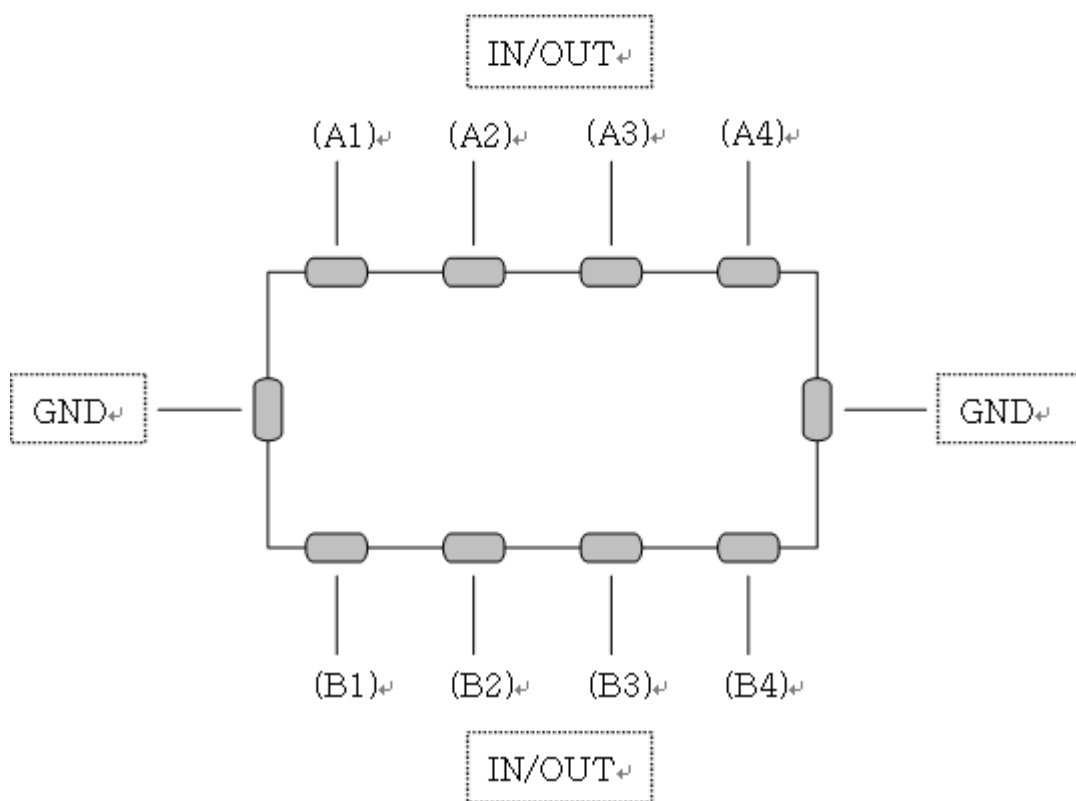


Unit : mm

Size	A	B	C	D	E	F	G	H
	1.20	0.50	1.40	0.20	0.20	0.40	0.40	2.04
	I	J	K	L	M	N		
	0.40	0.17	0.05	0.05	0.07	0.10		

ITEM	P/N	Page
ESD FILTER	ICVE10184E150R101FR	7

## 8. ELECTRICAL SCHEMATIC

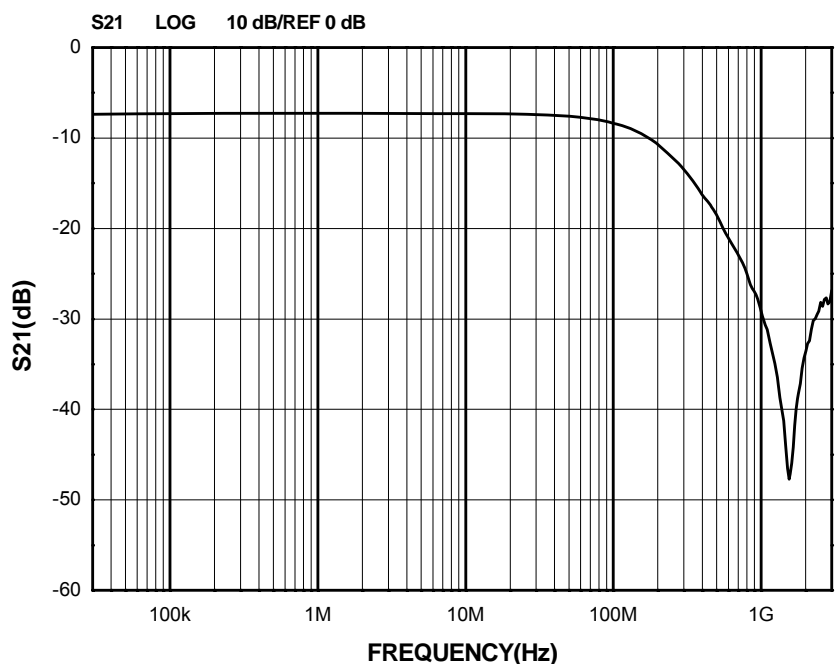


ITEM	P/N	Page
ESD FILTER	ICVE10184E150R101FR	8

## 9. Typical Characteristics

Filter Performance( $T_A=25^\circ\text{C}$ , DC Bias=0V, 50ohm Environment)

1) A1-B1, A2-B2, A3-B3, A4-B4



2) Cross talking(A1-B2, A2-B3, A3-B4)

