

ICX618AQA

Description

The ICX618AQA is a diagonal 4.5mm (Type 1/4) interline CCD solid-state image sensor with a square pixel array which supports VGA format. Progressive scan enables all pixel signals to be output separately within approximately 1/60 second.

This chip features an electronic shutter with variable charge-storage time which makes it possible to realize full-frame still images without a mechanical shutter. High resolution and high color reproducibility are achieved through the use of R, G, B primary color mosaic filters.

The G sensitivity and near infrared sensitivity are improved drastically through the adoption of advanced EXview HAD CCD technology.

This chip is suitable for applications such as security cameras and network cameras, etc.

The ICX618AQA has different spectral characteristics from the current CCD.

Features

- ◆ High G sensitivity (+ 4.5dB compared with the ICX098BQ, + 2.5dB compared with the ICX614AQA)
- ◆ High saturation signal (+ 4.0dB compared with the ICX098BQ, + 2.0dB compared with the ICX614AQA)
- ◆ Low smear (– 8.0dB compared with the ICX098BQ, ICX614AQA)
- ◆ Progressive scan enables individual readout of the image signals from all pixels.
- ◆ Square pixel
- ◆ Supports VGA format
- ◆ Horizontal drive frequency : Supports 24.54 MHz
- ◆ No voltage adjustments (Reset gate and substrate bias need no adjustment.)
- ◆ R, G, B primary color mosaic filters on chip
- ◆ High resolution, high color reproducibility, high sensitivity, low dark current
- ◆ Continuous variable-speed shutter
- ◆ Excellent anti-blooming characteristics
- ◆ Horizontal register : 3.3V drive
- ◆ 14-pin high accuracy plastic package (dual-surface reference available)

EXview HAD CCD™

* EXview HAD CCD is a trademark of Sony Corporation. The EXview HAD CCD is a CCD that drastically improves light efficiency by including near infrared light region as a basic structure of HAD (Hole-Accumulation Diode) sensor.

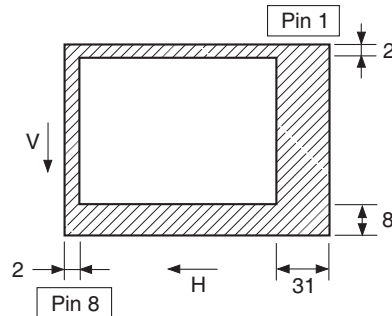
Sony reserves the right to change products and specifications without prior notice. This information does not convey any license by any implication or otherwise under any patents or other right. Application circuits shown, if any, are typical examples illustrating the operation of the devices. Sony cannot assume responsibility for any problems arising out of the use of these circuits.

Element Structure

- ◆ Interline CCD image sensor
- ◆ Image size :
Diagonal 4.5mm (Type 1/4)
- ◆ Number of effective pixels :
659 (H) × 494 (V) approx. 330K pixels
- ◆ Total number of pixels :
692 (H) × 504 (V) approx. 350K pixels
- ◆ Chip size :
4.46mm (H) × 3.80mm (V)
- ◆ Unit cell size :
5.6 μ m (H) × 5.6 μ m (V)
- ◆ Optical black :
Horizontal (H) direction : Front 2 pixels, rear 31 pixels
Vertical (V) direction : Front 8 pixels, rear 2 pixels
- ◆ Number of dummy bits :
Horizontal 16
Vertical 4
- ◆ Substrate material :
Silicon

Optical Black Position

(Top View)



USE RESTRICTION NOTICE (December 1, 2003 ver.)

This USE RESTRICTION NOTICE ("Notice") is for customers who are considering or currently using the CCD products ("Products") set forth in this specifications book. Sony Corporation ("Sony") may, at any time, modify this Notice which will be available to you in the latest specifications book for the Products. You should abide by the latest version of this Notice. If a Sony subsidiary or distributor has its own use restriction notice on the Products, such a use restriction notice will additionally apply between you and the subsidiary or distributor. You should consult a sales representative of the subsidiary or distributor of Sony on such a use restriction notice when you consider using the Products.

Use Restrictions

- ◆ The Products are intended for incorporation into such general electronic equipment as office products, communication products, measurement products, and home electronics products in accordance with the terms and conditions set forth in this specifications book and otherwise notified by Sony from time to time.
- ◆ You should not use the Products for critical applications which may pose a life- or injury- threatening risk or are highly likely to cause significant property damage in the event of failure of the Products. You should consult your Sony sales representative beforehand when you consider using the Products for such critical applications. In addition, you should not use the Products in weapon or military equipment.
- ◆ Sony disclaims and does not assume any liability and damages arising out of misuse, improper use, modification, use of the Products for the above-mentioned critical applications, weapon and military equipment, or any deviation from the requirements set forth in this specifications book.

Design for Safety

- ◆ Sony is making continuous efforts to further improve the quality and reliability of the Products; however, failure of a certain percentage of the Products is inevitable. Therefore, you should take sufficient care to ensure the safe design of your products such as component redundancy, anti-conflagration features, and features to prevent mis-operation in order to avoid accidents resulting in injury or death, fire or other social damage as a result of such failure.

Export Control

- ◆ If the Products are controlled items under the export control laws or regulations of various countries, approval may be required for the export of the Products under the said laws or regulations. You should be responsible for compliance with the said laws or regulations.

No License Implied

- ◆ The technical information shown in this specifications book is for your reference purposes only. The availability of this specifications book shall not be construed as giving any indication that Sony and its licensors will license any intellectual property rights in such information by any implication or otherwise. Sony will not assume responsibility for any problems in connection with your use of such information or for any infringement of third-party rights due to the same. It is therefore your sole legal and financial responsibility to resolve any such problems and infringement.

Governing Law

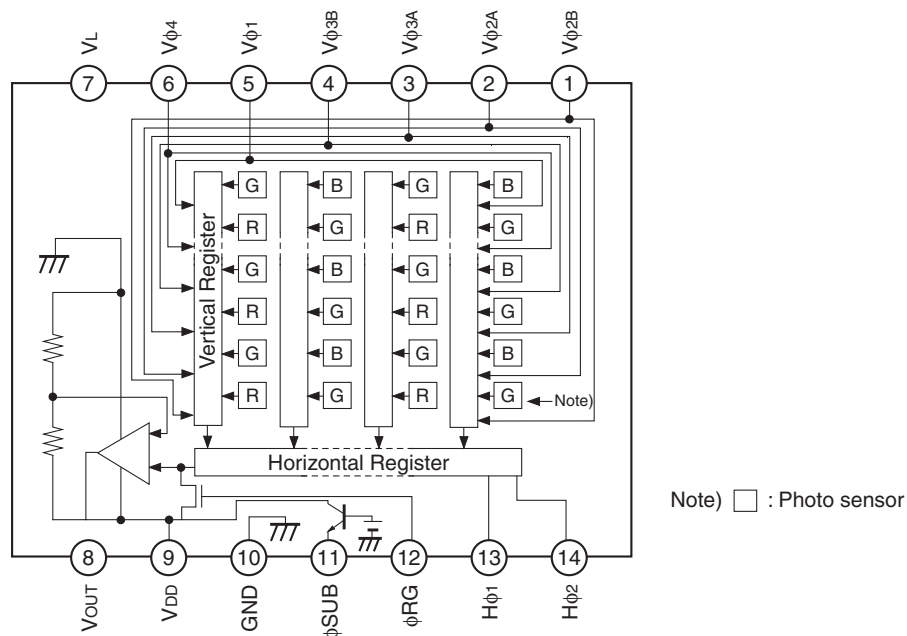
- ◆ This Notice shall be governed by and construed in accordance with the laws of Japan, without reference to principles of conflict of laws or choice of laws. All controversies and disputes arising out of or relating to this Notice shall be submitted to the exclusive jurisdiction of the Tokyo District Court in Japan as the court of first instance.

Other Applicable Terms and Conditions

- ◆ The terms and conditions in the Sony additional specifications, which will be made available to you when you order the Products, shall also be applicable to your use of the Products as well as to this specifications book. You should review those terms and conditions when you consider purchasing and/or using the Products.

Block Diagram and Pin Configuration

(Top View)



Pin Description

Pin No.	Symbol	Description
1	Vφ2B	Vertical register transfer clock
2	Vφ2A	Vertical register transfer clock
3	Vφ3A	Vertical register transfer clock
4	Vφ3B	Vertical register transfer clock
5	Vφ1	Vertical register transfer clock
6	Vφ4	Vertical register transfer clock
7	VL	Protective transistor bias
8	VOUT	Signal output
9	VDD	Supply voltage
10	GND	GND
11	φSUB	Substrate clock
12	φRG	Reset gate clock
13	Hφ1	Horizontal register transfer clock
14	Hφ2	Horizontal register transfer clock

Absolute Maximum Ratings

Item		Ratings	Unit	Remarks
Against ϕ SUB	V_{DD} , V_{OUT} , ϕ RG – ϕ SUB	– 40 to + 13	V	
	$V\phi_{2A}$, $V\phi_{2B}$, $V\phi_{3A}$, $V\phi_{3B}$ – ϕ SUB	– 50 to + 15	V	
	$V\phi_1$, $V\phi_4$ – ϕ SUB	– 50 to + 0.3	V	
	$H\phi_1$, $H\phi_2$, GND – ϕ SUB	– 40 to + 0.3	V	
Against GND	V_{DD} , V_{OUT} , ϕ RG – GND	– 0.3 to + 18	V	
	$V\phi_1$, $V\phi_{2A}$, $V\phi_{2B}$, $V\phi_{3A}$, $V\phi_{3B}$, $V\phi_4$ – GND	– 10 to + 18	V	
	$H\phi_1$, $H\phi_2$ – GND	– 10 to + 5	V	
Against V_L	$V\phi_{2A}$, $V\phi_{2B}$, $V\phi_{3A}$, $V\phi_{3B}$ – V_L	– 0.3 to + 28	V	
	$V\phi_1$, $V\phi_4$, $H\phi_1$, $H\phi_2$ – V_L	– 0.3 to + 15	V	
Between input clock pins	Potential difference between vertical clock input pins	to + 15	V	*1
	$H\phi_1$ – $H\phi_2$	– 5 to + 5	V	
	$H\phi_1$, $H\phi_2$ – $V\phi_3$	– 13 to + 13	V	
Storage temperature		– 30 to + 80	°C	
Operating temperature		– 10 to + 60	°C	

*1 + 24V (Max.) is guaranteed when clock width < 10 μ s, clock duty factor < 0.1%.

Bias Conditions

Item	Symbol	Min.	Typ.	Max.	Unit	Remarks
Supply voltage	V_{DD}	14.55	15.0	15.45	V	
Protective transistor bias	V_L	*1				
Substrate clock	ϕ SUB	*2				
Reset gate clock	ϕ RG	*2				

*1 V_L setting is the V_{VL} voltage of the vertical clock waveform, or the same voltage as the V_L power supply for the V driver should be used.

*2 Do not apply a DC bias to the substrate clock and reset gate clock pins, because a DC bias is generated internally.

DC Characteristics

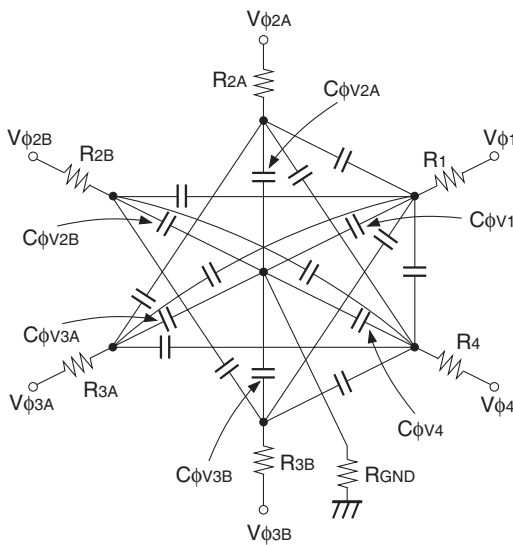
Item	Symbol	Min.	Typ.	Max.	Unit	Remarks
Supply current	I_{DD}		6.0		mA	


Clock Voltage Conditions

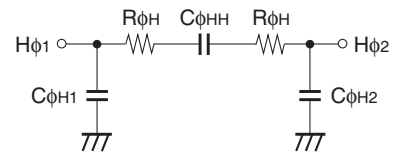
Item	Symbol	Min.	Typ.	Max.	Unit	Waveform diagram	Remarks
Readout clock voltage	V_{VT}	14.55	15.0	15.45	V	1	
Vertical transfer clock voltage	V_{VH02A}	-0.05	0	0.05	V	2	$V_{VH} = V_{VH02A}$
	V_{VH1} , V_{VH2} (A, B), V_{VH3} (A, B), V_{VH4}	-0.2	0	0.05	V	2	
	V_{VL1} , V_{VL2} (A, B), V_{VL3} (A, B), V_{VL4}	-5.8	-5.5	-5.2	V	2	$V_{VL} = (V_{VL1} + V_{VL3} (A, B))/2$
	$V_{\phi 1}$, $V_{\phi 2}$ (A, B), $V_{\phi 3}$ (A, B), $V_{\phi 4}$	5.0	5.5	5.85	V	2	
	$ V_{VL3}$ (A, B), $V_{VL4} - V_{VL} $			0.1	V	2	
	V_{VHH}			0.3	V	2	High-level coupling
	V_{VHL}			1.0	V	2	High-level coupling
	V_{VLH}			0.5	V	2	Low-level coupling
	V_{VLL}			0.5	V	2	Low-level coupling
Horizontal transfer clock voltage	$V_{\phi H}$	3.0	3.3	5.25	V	3	
	V_{HL}	-0.05	0	0.05	V	3	
Reset gate clock voltage	$V_{\phi RG}$	3.0	3.3	5.5	V	4	
	$V_{RGLH} - V_{RGLL}$			0.4	V	4	Low-level coupling
	$V_{RGL} - V_{RGLm}$			0.5	V	4	Low-level coupling
Substrate clock voltage	$V_{\phi SUB}$	19.75	20.5	21.25	V	5	

Clock Equivalent Circuit Constants

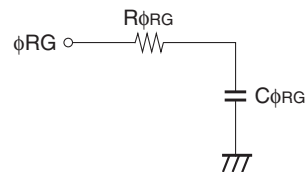
Item	Symbol	Min.	Typ.	Max.	Unit	Remarks
Capacitance between vertical transfer clock and GND	$C\phi V1$		1000		pF	
	$C\phi V2A, C\phi V2B$		820		pF	
	$C\phi V3A, C\phi V3B$		390		pF	
	$C\phi V4$		1500		pF	
Capacitance between vertical transfer clocks	$C\phi V12A, C\phi V12B$		56		pF	
	$C\phi V13A, C\phi V13B$		2		pF	
	$C\phi V14$		180		pF	
	$C\phi V2A3A, C\phi V2B3B$		220		pF	
	$C\phi V2A4, C\phi V2B4$		270		pF	
	$C\phi V3A4, C\phi V3B4$		180		pF	
Capacitance between horizontal transfer clock and GND	$C\phi H1$		15		pF	
	$C\phi H2$		15		pF	
Capacitance between horizontal transfer clocks	$C\phi HH$		47		pF	
Capacitance between reset gate clock and GND	$C\phi RG$		5		pF	
Capacitance between substrate clock and GND	$C\phi SUB$		270		pF	
Vertical transfer clock series resistor	$R1$		47		Ω	
	$R2A, R2B$		91		Ω	
	$R3A, R3B$		68		Ω	
	$R4$		24		Ω	
Vertical transfer clock ground resistor	R_{GND}		47		Ω	
Horizontal transfer clock series resistor	$R\phi H1, R\phi H2$		15		Ω	
Reset gate clock series resistor	$R\phi RG$		56		Ω	



Vertical transfer clock equivalent circuit



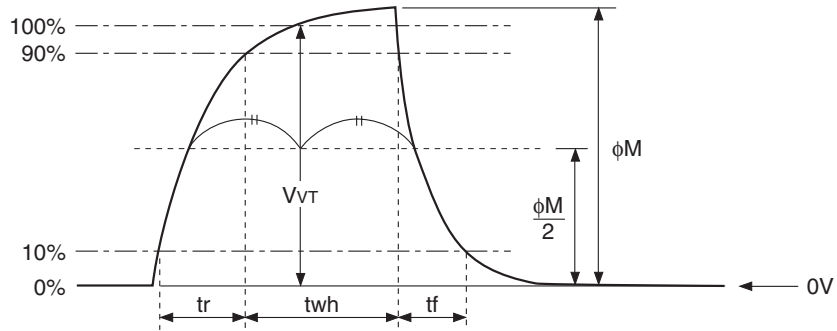
Horizontal transfer clock equivalent circuit



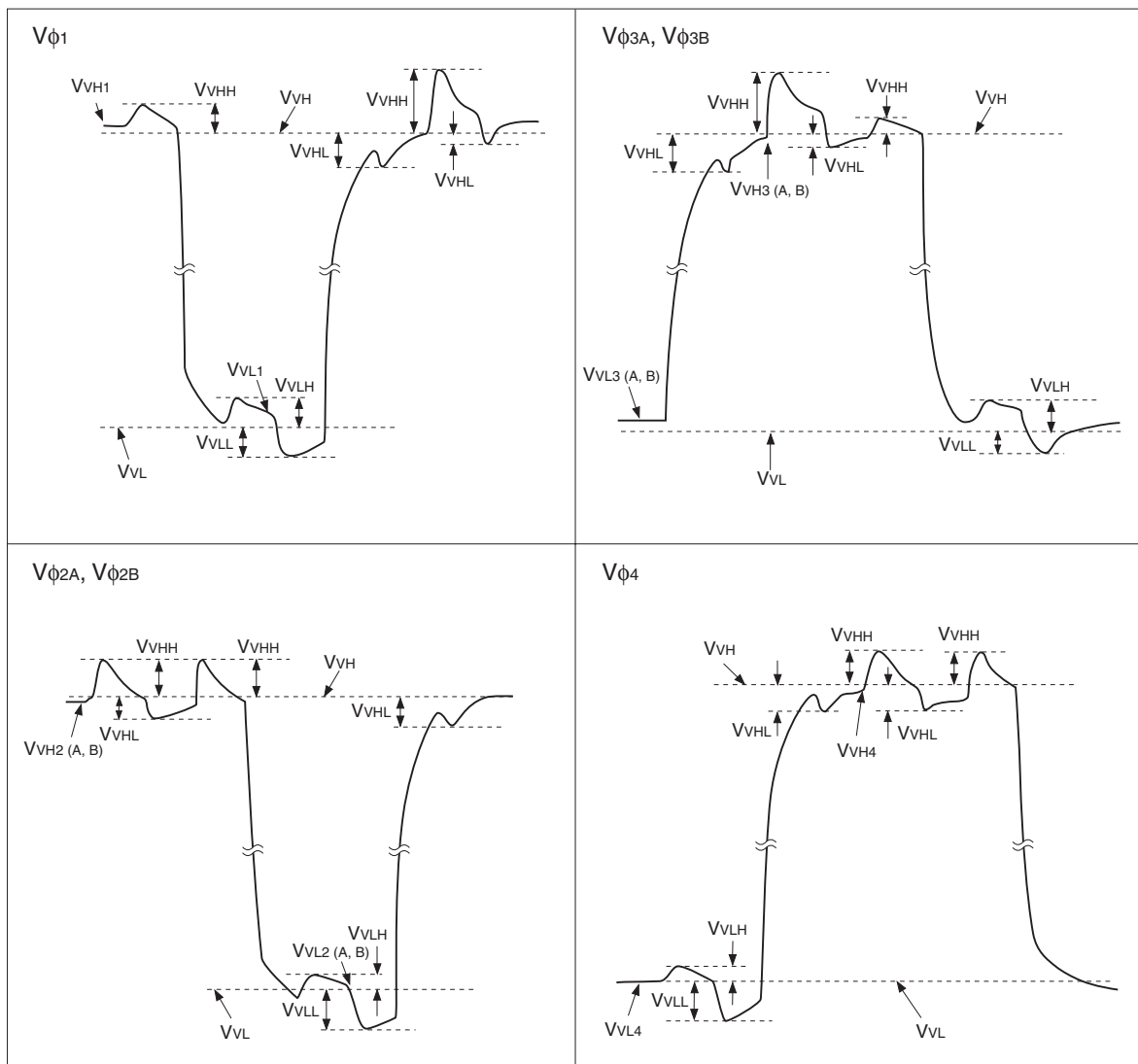
Reset gate clock equivalent circuit

Drive Clock Waveform Conditions

1. Readout clock waveform



2. Vertical transfer clock waveform

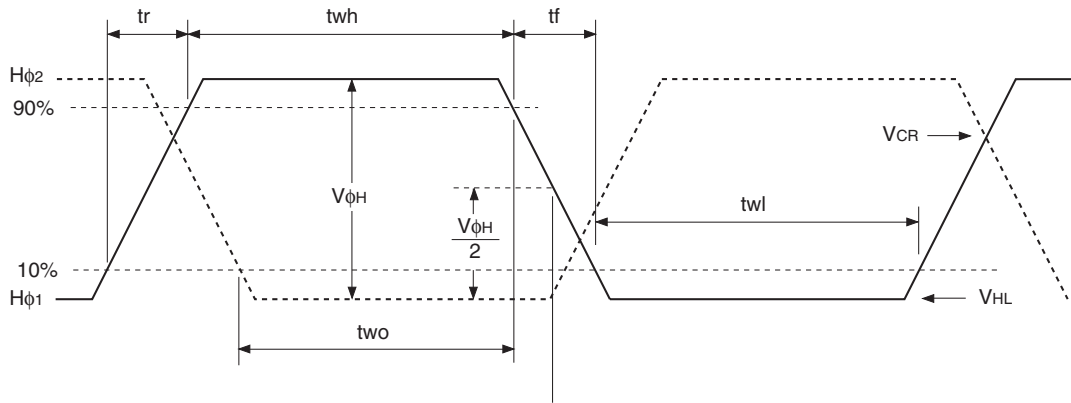


$$V_{VH} = (V_{VH1} + V_{VH2(A,B)})/2$$

$$V_{VL} = (V_{VL3(A,B)} + V_{VL4})/2$$

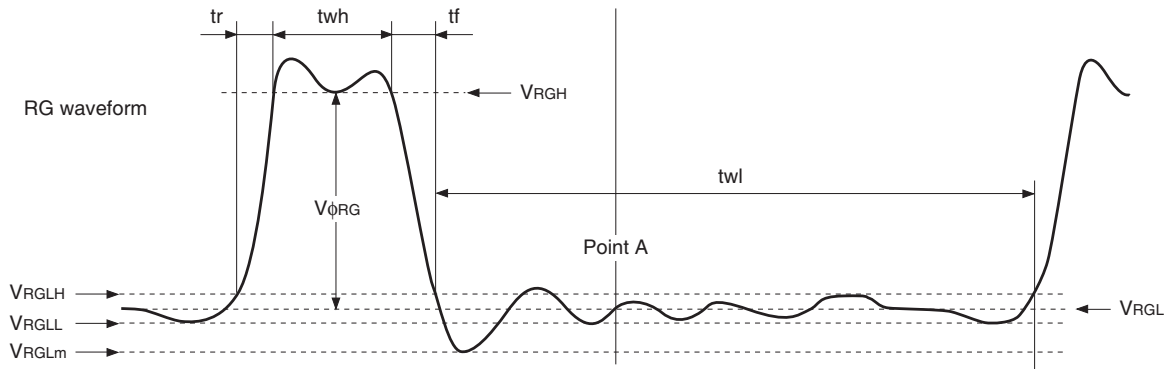
$$V_{\phi V} = V_{VHn} - V_{VLn} \quad (n = 1 \text{ to } 4)$$

3. Horizontal transfer clock waveform



Cross-point voltage for the Hφ1 rising side of the horizontal transfer clocks Hφ1 and Hφ2 waveforms is VCR. The overlap period for twh and twl of horizontal transfer clocks Hφ1 and Hφ2 is "two".

4. Reset gate clock waveform



VRGLH is the maximum value and VRGLL is the minimum value of the coupling waveform during the period from Point A in the above diagram until the rising edge of RG.

In addition, VRGL is the average value of VRGLH and VRGLL.

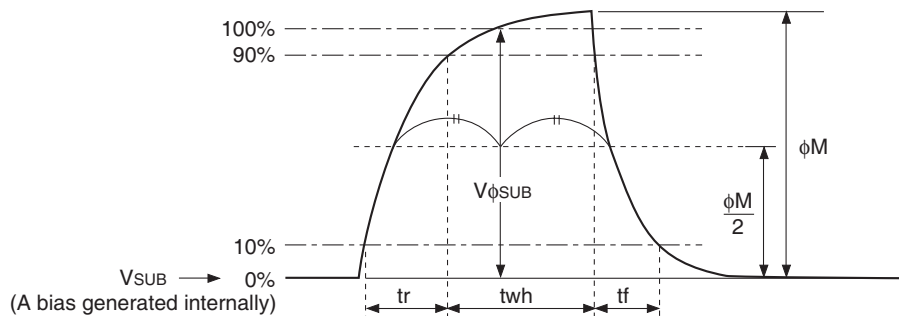
$$VRGL = (VRGLH + VRGLL) / 2$$

Assuming VRGH is the minimum value during the interval twh, then :

$$VφRG = VRGH - VRGL$$

Negative overshoot level during the falling edge of RG is VRGLm.

5. Substrate clock waveform



Clock Switching Characteristics

Item	Symbol	twh			twl			tr			tf			Unit	Remarks
		Min.	Typ.	Max.	Min.	Typ.	Max.	Min.	Typ.	Max.	Min.	Typ.	Max.		
Readout clock	V _T	1.8	2.0						0.5			0.5		μs	During readout
Vertical transfer clock	V _{φ1} , V _{φ2} (A,B), V _{φ3} (A,B), V _{φ4}										15		250	ns	*1
Horizontal transfer clock	During imaging	H _{φ1}	10.5	14.6		10.5	14.6		6.4	10.5		6.4	10.5	ns	*2
		H _{φ2}	10.5	14.6		10.5	14.6		6.4	10.5		6.4	10.5		
	During parallel-serial conversion	H _{φ1}							0.001					μs	
		H _{φ2}							0.001						
Reset gate clock	φ _{RG}	6	8			25.8		4			3		ns		
Substrate clock	φ _{SUB}	0.63	0.73						0.5			0.5	μs	When draining charge	

*1 When vertical transfer clock driver CXD1267AN is used.

*2 $t_f \geq t_r - 2\text{ns}$, and the cross-point voltage (V_{CR}) for the H_{φ1} rising side of the H_{φ1} and H_{φ2} waveforms must be at least $V_{\phi H}/2$ [V].

Item	Symbol	two			Unit	Remarks
		Min.	Typ.	Max.		
Horizontal transfer clock	H _{φ1} , H _{φ2}	10.5	14.6		ns	

Spectral Sensitivity Characteristics

(excludes lens characteristics and light source characteristics)

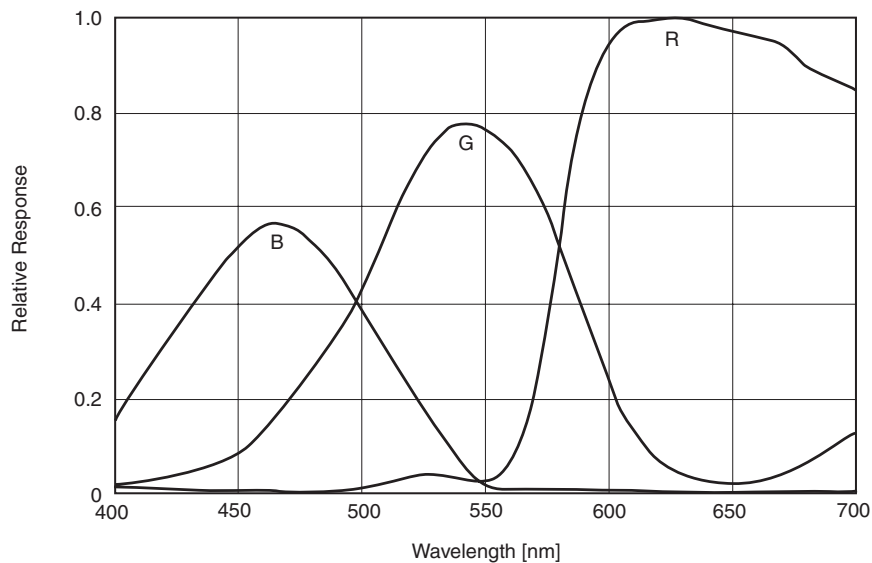
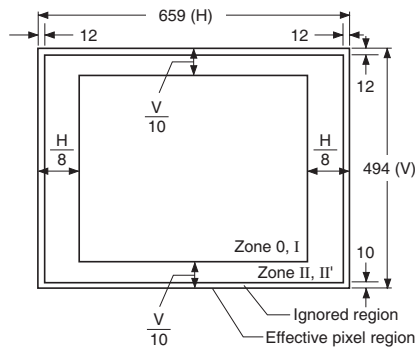


Image Sensor Characteristics

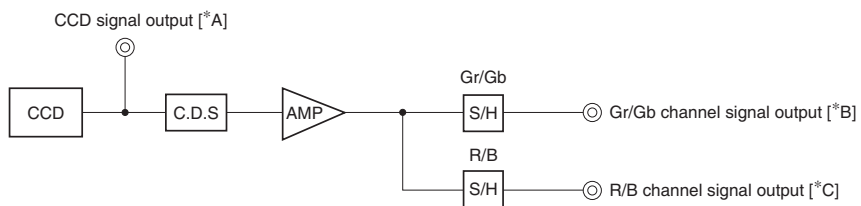
(Ta = 25°C)

Item	Symbol	Min.	Typ.	Max.	Unit	Measurement method	Remarks
G Sensitivity	Sg	800	1000		mV	1	1/30s accumulation
Sensitivity ratio	R	Rr	0.58	0.88		1	
	B	Rb	3.0	6.0		1	
Saturation signal	Ysat	800			mV	2	Ta = 60°C
Smear	Sm		- 110	- 100	dB	3	
Video signal shading	SHg			20	%	4	Zone 0 and I
				25	%	4	Zone 0 to II'
Uniformity between video signal channels	Δ Srg			8	%	5	
	Δ Sbg			8	%	5	
Dark signal	Vdt			4	mV	6	Ta = 60°C, 1/30s accumulation
Dark signal shading	Δ Vdt			1	mV	7	Ta = 60°C, 1/30s accumulation
Line crawl G	Lcg			3.8	%	8	
Line crawl R	Lcr			3.8	%	8	
Line crawl B	Lcb			3.8	%	8	
Lag	Lag			0.5	%	9	

Zone Definition of Video Signal Shading



Measurement System



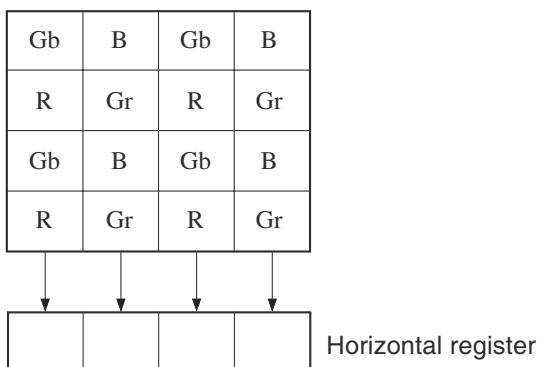
Note) Adjust the amplifier gain so that the gain between [* A] and [* B], and between [* A] to [* C] equals 1.

Image Sensor Characteristics Measurement Method

Measurement conditions

1. In the following measurements, the device drive conditions are at the typical values of the bias and clock voltage conditions.
2. In the following measurements, spot pixels are excluded and, unless otherwise specified, the optical black level (OB) is used as the reference for the signal output, which is taken as the value of the Gr/Gb signal output or the R/B signal output of the measurement system.

Color coding of this image sensor & Readout



Color Coding Diagram

The primary color filters of this image sensor are arranged in the layout shown in the figure above (Bayer array).

Gr and Gb denote the G signals on the same line as the R signal and the B signal, respectively.

All pixel signals are output successively in a 1/60s period.

The R signal and Gr signal lines and Gb signal and B signal lines are output successively.

Definition of standard imaging conditions

◆ Standard imaging condition I :

Use a pattern box (luminance : 706cd/m², color temperature of 3200K halogen source) as a subject. (Pattern for evaluation is not applicable.) Use a testing standard lens with CM500S (t = 1.0mm) as an IR cut filter and image at F5.6. The luminous intensity to the sensor receiving surface at this point is defined as the standard sensitivity testing luminous intensity.

◆ Standard imaging condition II :

Image a light source (color temperature of 3200K) with a uniformity of brightness within 2% at all angles. Use a testing standard lens with CM500S (t = 1.0mm) as an IR cut filter. The luminous intensity is adjusted to the value indicated in each testing item by the lens diaphragm.

1. G sensitivity, sensitivity ratio

Set to the standard imaging condition I. After setting the electronic shutter mode with a shutter speed of 1/100s, measure the signal outputs (V_{Gr}, V_{Gb}, V_R and V_B) at the center of each Gr, Gb, R and B channel screen, and substitute the values into the following formulas.

$$\begin{aligned} V_G &= (V_{Gr} + V_{Gb})/2 \\ S_g &= V_G \times (100/30) \text{ [mV]} \\ R_r &= V_R/V_G \\ R_b &= V_B/V_G \end{aligned}$$

2. Saturation signal

Set to the standard imaging condition II. After adjusting the luminous intensity to 20 times the intensity with the average value of the Gr signal output, 150mV, measure the minimum values of the Gr, Gb, R and B signal outputs.

3. Smear

Set to the standard imaging condition II. With the lens diaphragm at F5.6 to F8, first adjust the average value of the Gr signal output to 150mV. Measure the average values of the Gr signal output, Gb signal output, R signal output and B signal output (G_{ra}, G_{ba}, R_a, B_a), and then adjust the luminous intensity to 500 times the intensity with the average value of the Gr signal output, 150mV. After the readout clock is stopped and the charge drain is executed by the electronic shutter at the respective H blankings, measure the maximum value (V_{Sm} [mV]) independent of the Gr, Gb, R and B signal outputs, and substitute the values into the following formula.

$$S_m = 20 \times \log \{V_{Sm} \div ((G_{ra} + G_{ba} + R_a + B_a)/4) \times (1/500) \times (1/10)\} \quad (1/10V \text{ method conversion value})$$

4. Video signal shading

Set to the standard imaging condition II. With the lens diaphragm at F5.6 to F8, adjusting the luminous intensity so that the average value of the Gr signal output is 150mV. Then measure the maximum value (G_{rmax} [mV]) and minimum value (G_{rmin} [mV]) of the Gr signal and substitute the values into the following formula.

$$SH_g = (G_{rmax} - G_{rmin})/150 \times 100 \text{ [%]}$$

5. Uniformity between video signal channels

After the measurement item 4, measure the maximum (R_{max} [mV]) and minimum (R_{min} [mV]) values of the R signal and the maximum (B_{max} [mV]) and minimum (B_{min} [mV]) values of the B signal, and substitute the values into the following formula.

$$\begin{aligned} \Delta S_{rg} &= (R_{max} - R_{min})/150 \times 100 \text{ [%]} \\ \Delta S_{bg} &= (B_{max} - B_{min})/150 \times 100 \text{ [%]} \end{aligned}$$

6. Dark signal

Measure the average value of the signal output (V_{dt} [mV]) with the device ambient temperature of 60°C and the device in the light-obstructed state, using the horizontal idle transfer level as a reference.

7. Dark signal shading

After the measurement item 6, measure the maximum (Vdmax [mV]) and minimum (Vdmin [mV]) values of the dark signal output and substitute the values into the following formula.

$$\Delta Vdt = Vdmax - Vdmin \text{ [mV]}$$

8. Line crawl

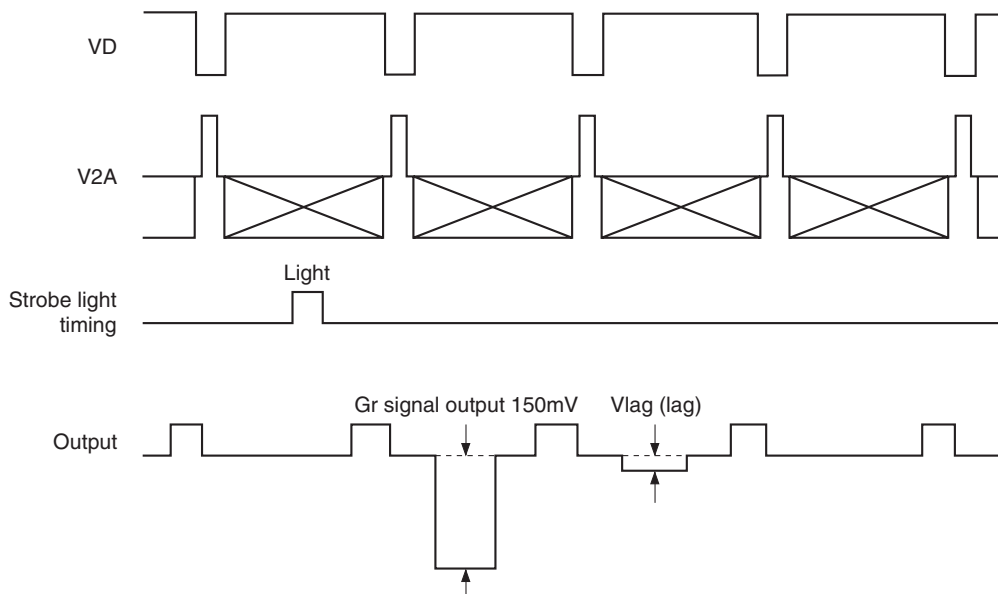
Set to the standard imaging condition II. Adjusting the luminous intensity so that the average value of the Gr signal output is 150mV, and then insert R, G and B filters and measure the difference between G signal lines ($\Delta GI_r, \Delta GI_g, \Delta GI_b$ [mV]) as well as the average value of the G signal output (G_{ar}, G_{ag}, G_{ab}). Substitute the values into the following formula.

$$Lci = (\Delta GI_i / G_{ai}) \times 100 \text{ [%]} \text{ (i = r, g, b)}$$

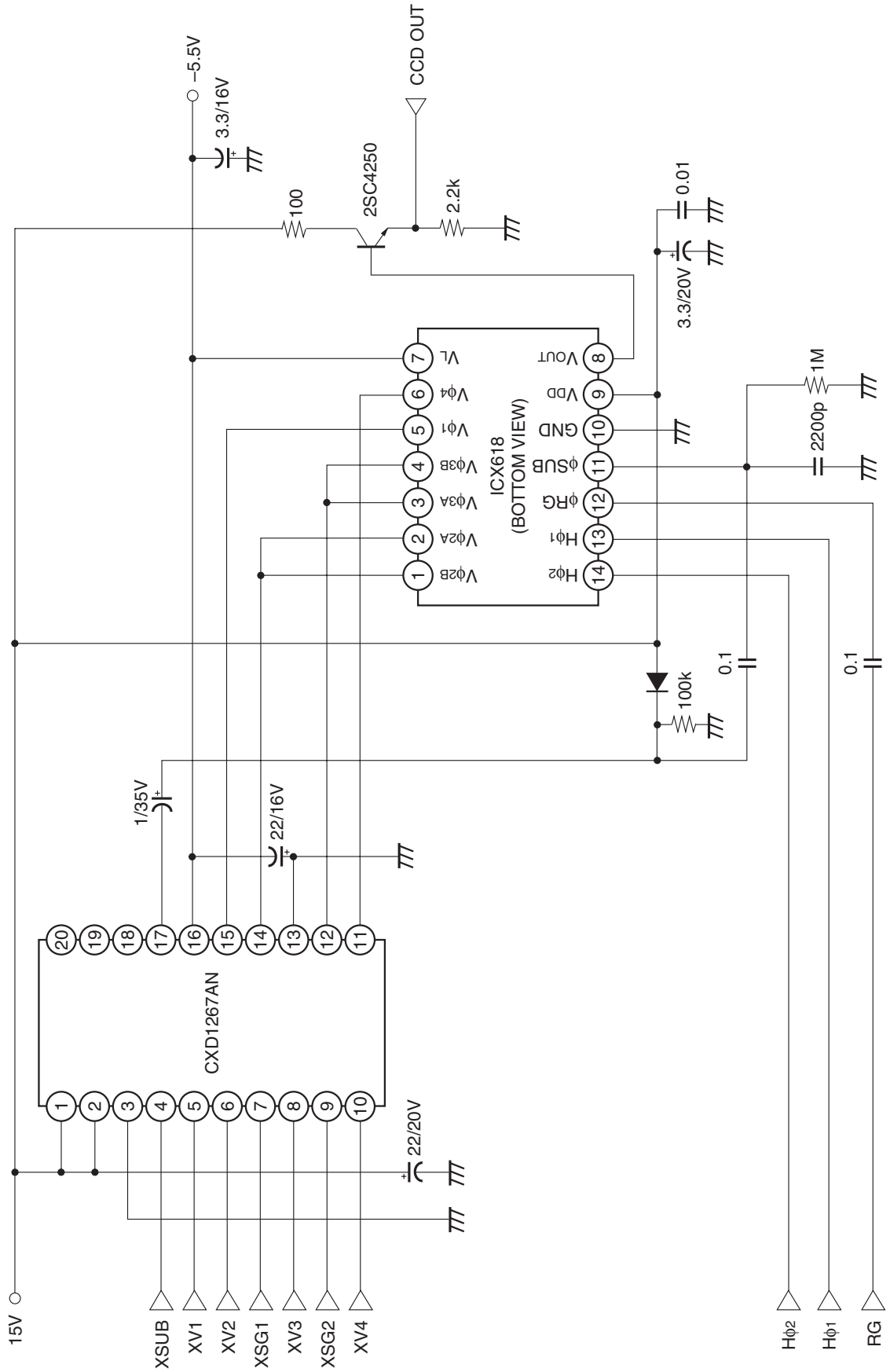
9. Lag

Adjust the Gr signal output value generated by strobe light to 150mV. After setting the strobe light so that it strobes with the following timing, measure the residual signal (Vlag). Substitute the value into the following formula.

$$Lag = (Vlag / 150) \times 100 \text{ [%]}$$

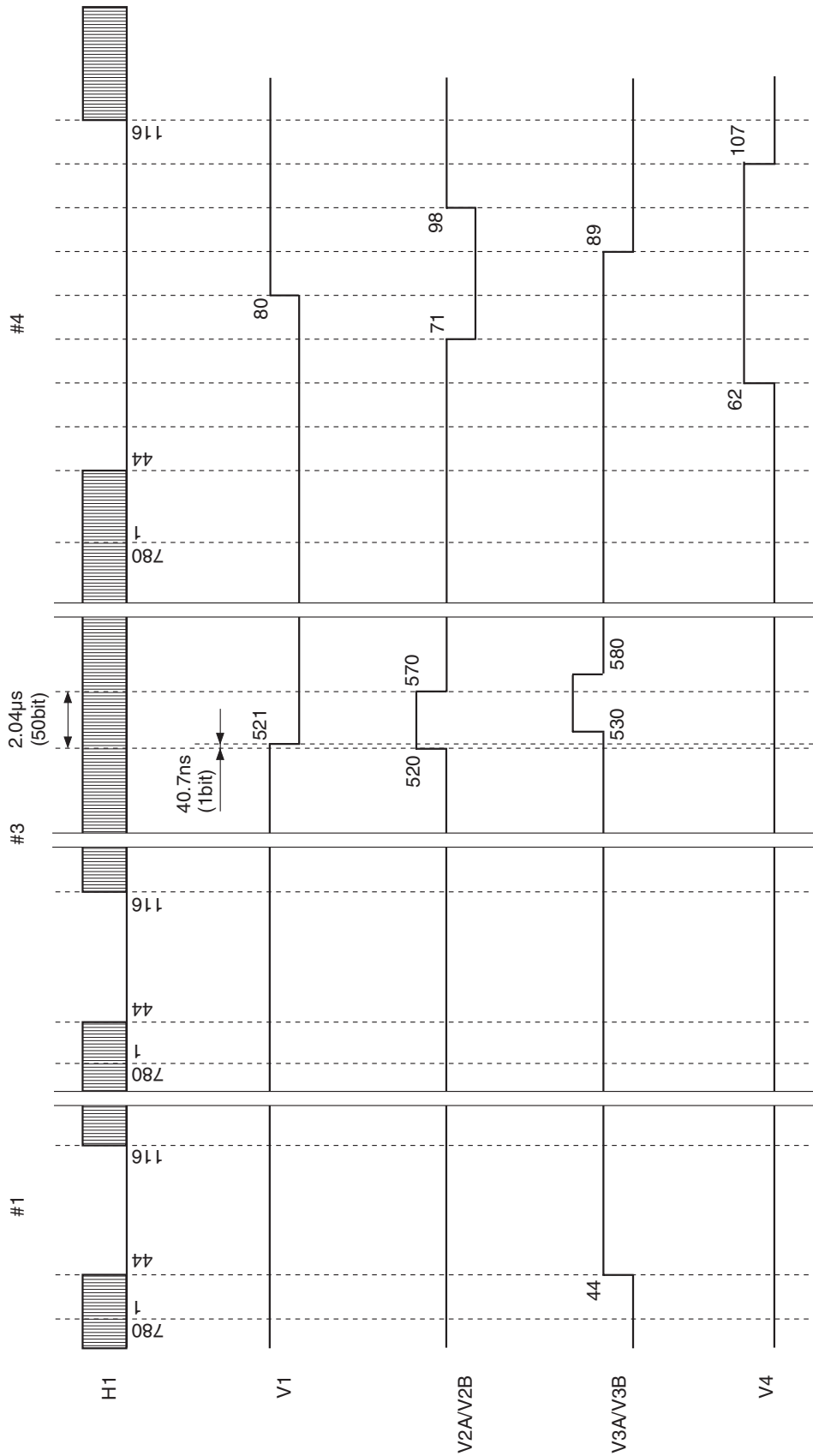


Driving Circuit



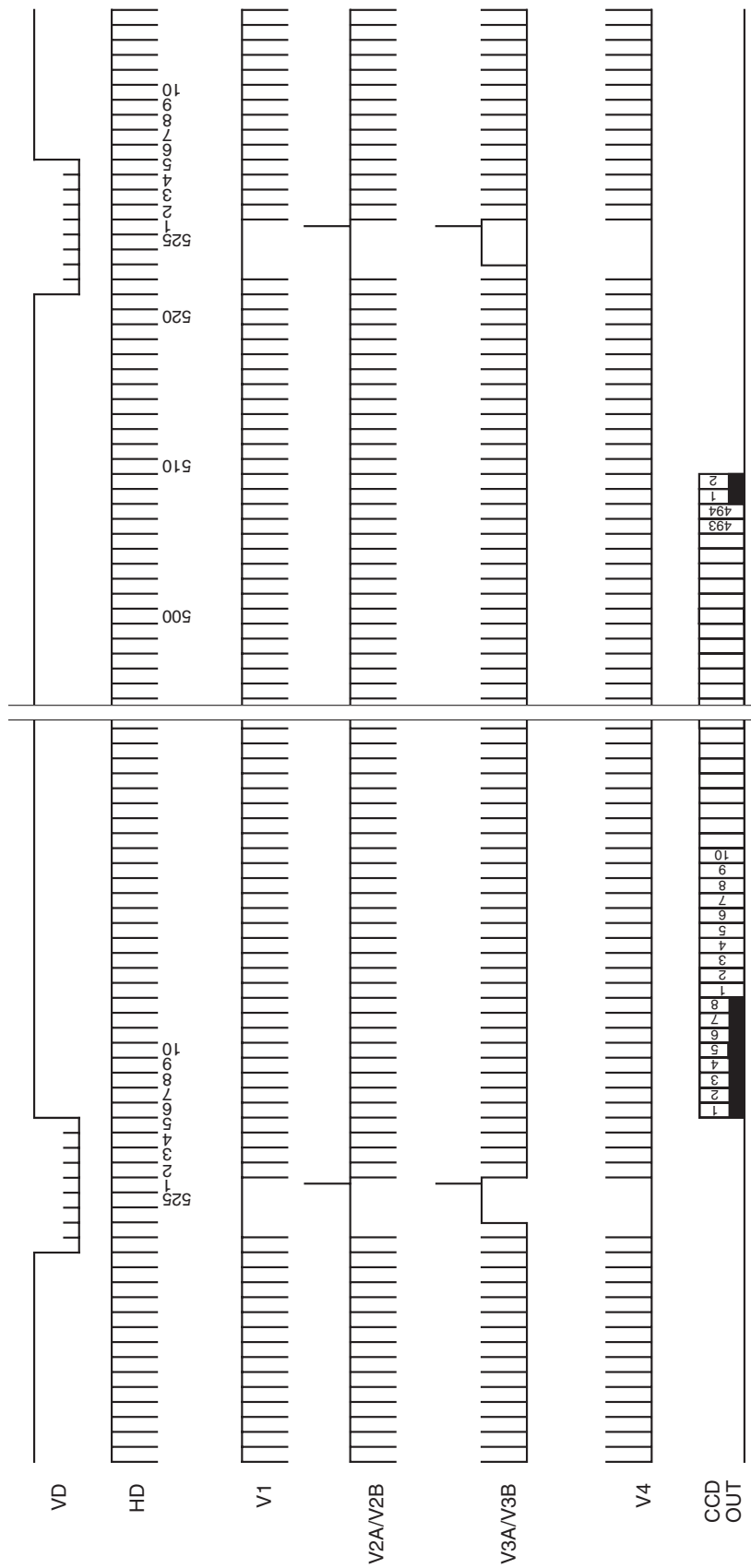
Drive Timing Chart

Readout Portion



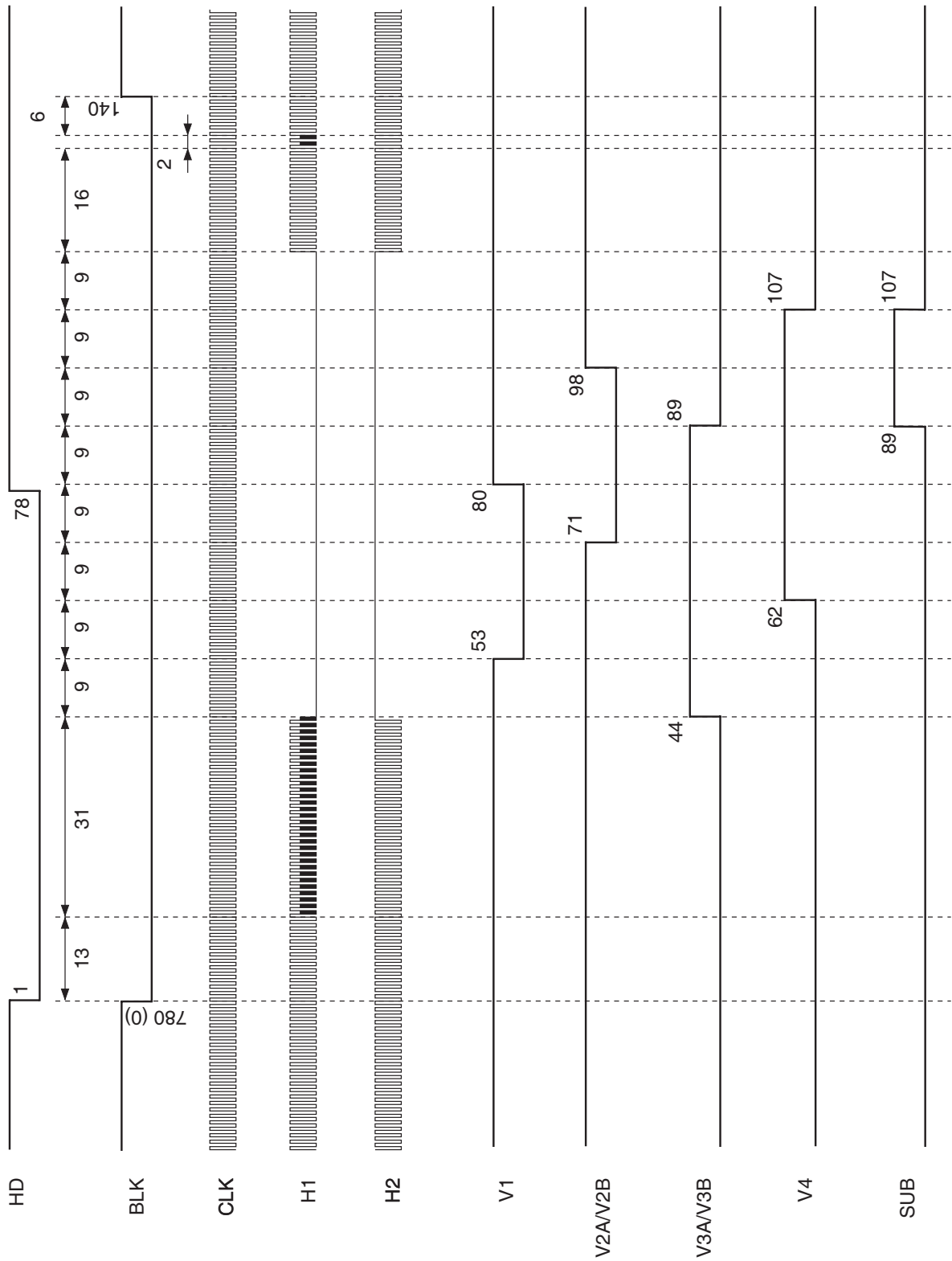
Drive Timing Chart

Vertical Sync



Drive Timing Chart

Horizontal Sync



Notes On Handling

1. Static charge prevention

CCD image sensors are easily damaged by static discharge. Before handling be sure to take the following protective measures.

- (1) Either handle bare handed or use non-chargeable gloves, clothes or material. Also use conductive shoes.
- (2) Use a wrist strap when handling directly.
- (3) Install grounded conductive mats on the floor and working table to prevent the generation of static electricity.
- (4) Ionized air is recommended for discharge when handling CCD image sensors.
- (5) For the shipment of mounted boards, use boxes treated for the prevention of static charges.

2. Soldering

- (1) Make sure the package temperature does not exceed 80°C.
- (2) Solder dipping in a mounting furnace causes damage to the glass and other defects. Use a 30W soldering iron with a ground wire and solder each pin in 2 seconds or less. For repairs and remount, cool sufficiently.
- (3) To dismount an image sensor, do not use solder suction equipment. When using an electric desoldering tool, use a thermal controller of the zero-cross On/Off type and connect it to ground.

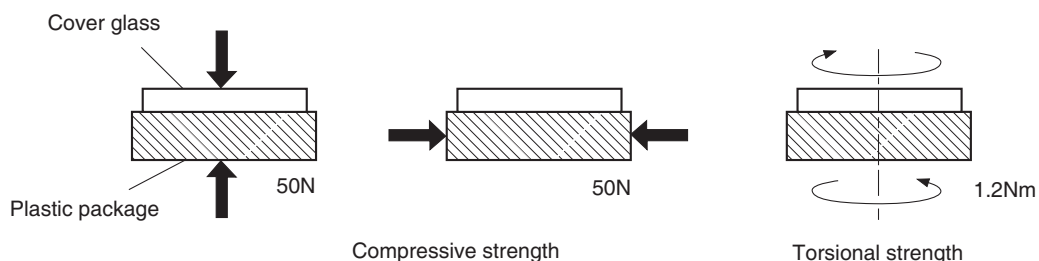
3. Protection from dust and dirt

Image sensors are packed and delivered with care taken to protect the element glass surfaces from harmful dust and dirt. Clean the glass surfaces with the following operations as required before use.

- (1) Perform all lens assembly and other work in a clean room (class 1000 or less).
- (2) Do not touch the glass surface with hand and make any object contact with it. If dust or other is stuck to a glass surface, blow it off with an air blower. (For dust stuck through static electricity, ionized air is recommended.)
- (3) Clean with a cotton bud and ethyl alcohol if grease stained. Be careful not to scratch the glass.
- (4) Keep in a case to protect from dust and dirt. To prevent dew condensation, preheat or precool when moving to a room with great temperature differences.
- (5) When a protective tape is applied before shipping, remove the tape applied for electrostatic protection just before use. Do not reuse the tape.

4. Installing (attaching)

- (1) Remain within the following limits when applying a static load to the package. Do not apply any load more than 0.7mm inside the outer perimeter of the glass portion, and do not apply any load or impact to limited portions. (This may cause cracks in the package.)

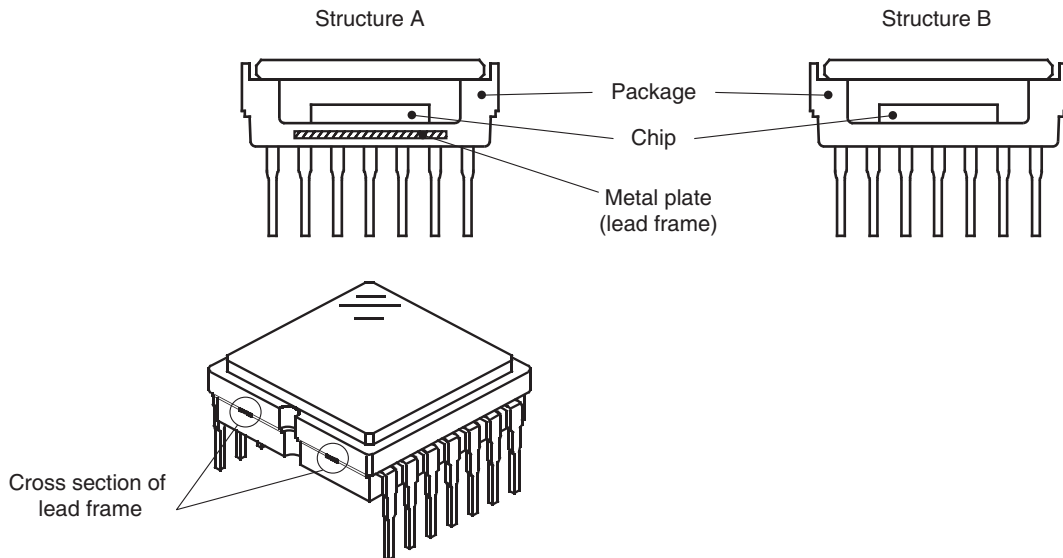


- (2) If a load is applied to the entire surface by a hard component, bending stress may be generated and the package may fracture, etc., depending on the flatness of the bottom of the package. Therefore, for installation, use either an elastic load, such as a spring plate, or an adhesive.

- (3) The adhesive may cause the marking on the rear surface to disappear, especially in case the regulated voltage value is indicated on the rear surface. Therefore, the adhesive should not be applied to this area, and indicated values should be transferred to the other locations as a precaution.
- (4) The notch of the package is used for directional index, and that can not be used for reference of fixing. In addition, the cover glass and seal resin may overlap with the notch of the package.
- (5) If the lead bend repeatedly and the metal, etc., clash or rub against the package, dust may be generated by the fragments of resin.
- (6) Acrylate anaerobic adhesives are generally used to attach CCD image sensors. In addition, cyanoacrylate instantaneous adhesives are sometimes used jointly with acrylate anaerobic adhesives. (reference)

5. Others

- (1) Do not expose to strong light (sun rays) for long periods, as color filters will be discolored. When high luminance objects are imaged with the exposure level controlled by electronic-iris, the luminance of the image-plane may become excessive and discoloration of the color filters may be accelerated. In such a case, arrangements such as using an automatic iris with the imaging lens or automatically closing the shutter during power-off are advisable. For continuous use under harsh conditions exceeding the normal conditions of use, consult your Sony representative.
- (2) Exposure to high temperature or humidity will affect the characteristics. Accordingly avoid storage or usage in such conditions.
- (3) Brown stains may be seen on the bottom or side of the package. But this does not affect the CCD characteristics.
- (4) This package has 2 kinds of internal structure. However, their package outline, optical size, and strength are the same.

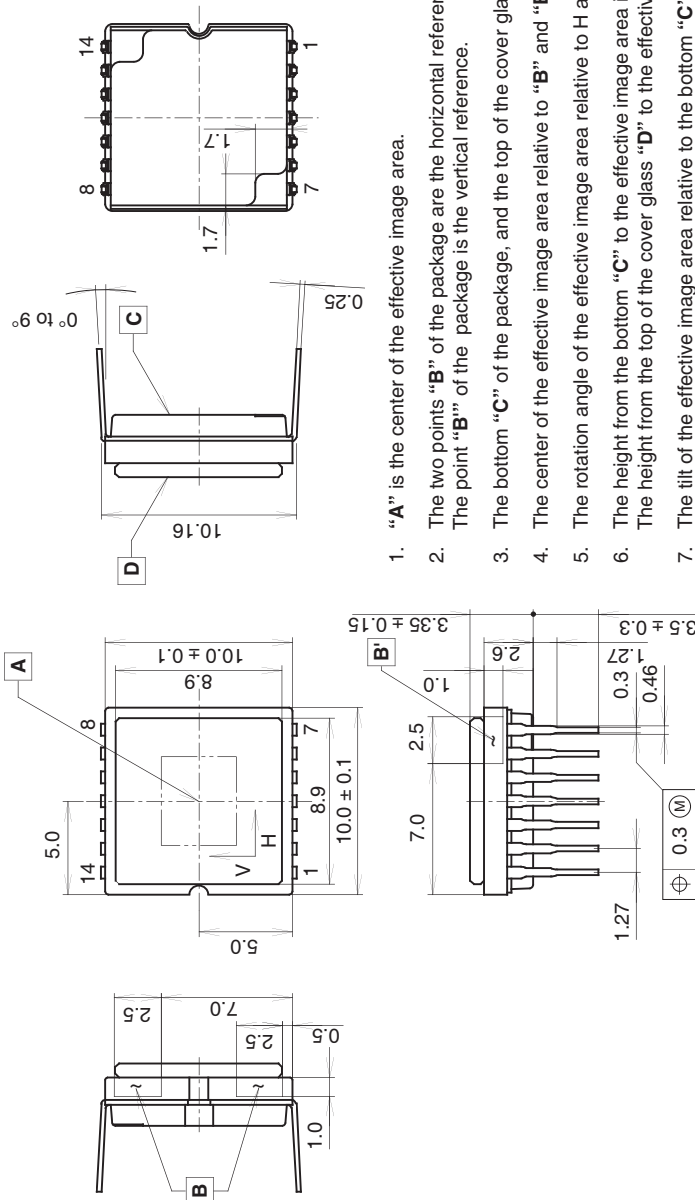


The cross section of lead frame can be seen on the side of the package for structure A.

Package Outline

(Unit : mm)

14 pin DIP (400mil)



1. "A" is the center of the effective image area.
2. The two points "B" of the package are the horizontal reference. The point "B" of the package is the vertical reference.
3. The bottom "C" of the package, and the top of the cover glass "D" are the height reference.
4. The center of the effective image area relative to "B" and "V" is (H, V) = (5.0, 5.0) ± 0.15mm.
5. The rotation angle of the effective image area relative to H and V is ± 1°.
6. The height from the bottom "C" to the effective image area is 1.41 ± 0.10mm. The height from the top of the cover glass "D" to the effective image area is 1.94 ± 0.15mm.
7. The tilt of the effective image area relative to the bottom "C" is less than 25µm. The tilt of the effective image area relative to the top "D" of the cover glass is less than 25µm.
8. The thickness of the cover glass is 0.75mm, and the refractive index is 1.5.
9. The notch of the package is used only for directional index, that must not be used for reference of fixing.
10. Cover glass defect
Edge part
Length : no matter, Width : less than 0.5mm, Depth : less than the thickness of the glass.
Corner part
Length : less than 1.5mm, Depth : less than the thickness of the glass.

PACKAGE STRUCTURE

PACKAGE MATERIAL	Plastic
LEAD TREATMENT	GOLD PLATING
LEAD MATERIAL	42 ALLOY
PACKAGE MASS	0.60g
DRAWING NUMBER	AS-D3-02(E)