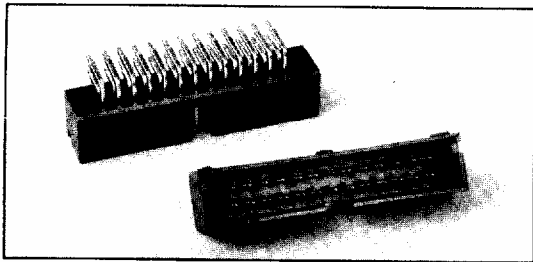


## Low Profile Headers .025" sq. Post

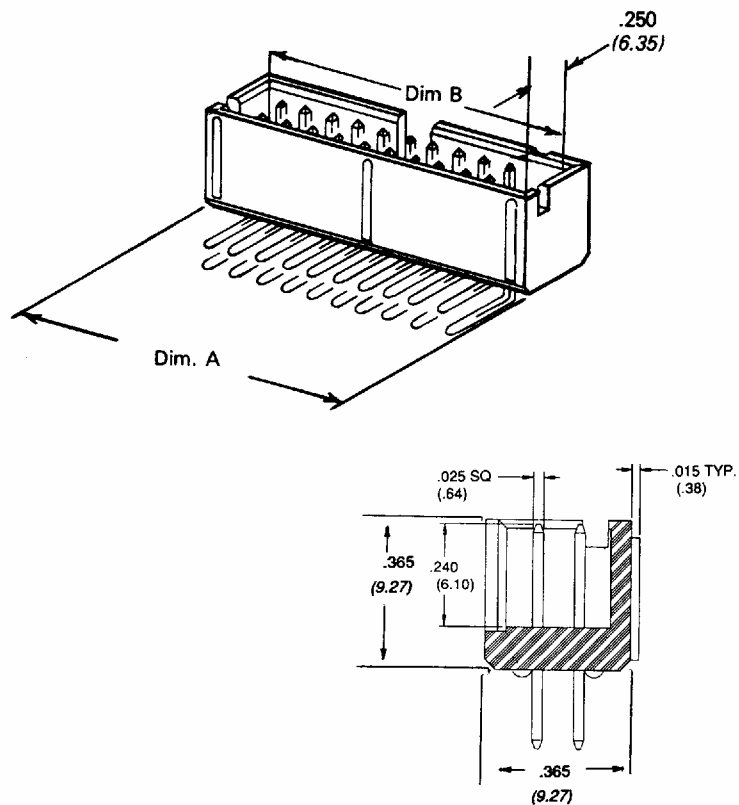
### IDH-LP Series



- Designed for applications where space is critical
- Fool-proof socket polarization
- Optional ROBEX® better-than-gold plating

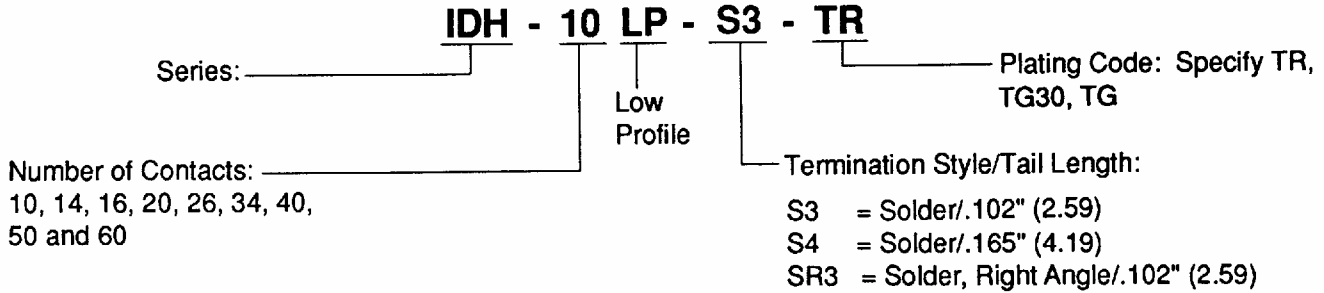
For Recommended PC Board Layout See Page 351.

Tabulations			
No. of Contacts	Dim A. Inches (mm)	Dim. B Inches (mm)	Dim. C Inches (mm)
10	.800 (20.32)	.700 (17.78)	.400 (10.16)
14	1.000 (25.40)	.900 (22.86)	.600 (15.24)
16	1.100 (27.94)	1.000 (25.40)	.700 (17.78)
20	1.300 (33.02)	1.200 (30.48)	.900 (22.86)
26	1.600 (40.64)	1.500 (38.10)	1.200 (30.48)
34	2.000 (50.80)	1.900 (48.26)	1.600 (40.64)
40	2.300 (58.42)	2.200 (55.88)	1.900 (48.26)
50	2.800 (71.12)	2.700 (68.58)	2.400 (60.96)
60	3.300 (83.82)	3.200 (81.28)	2.900 (73.66)



IDC  
CABLE-TO-BOARD

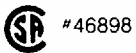
## How to Order IDH-LP Series



### Materials:

Body: Glass-filled, black polyester  
Contact: Phosphor Bronze

### Agency Approvals:



### Performance

#### Characteristics:

Temperature Range: -55°C to + 105°C  
Contact Resistance: 20 Milliohms Max.  
Insulation Resistance: 5000 Megaohms Min.  
Dielectric Withstand Voltage: 500 volts DC  
Current Rating: 1 Ampere at 25°C ambient  
Flammability: UL 94V-0

### Plating Description:

**Suffix TR** = 10 μinch (.254μm) minimum  
ROBEX® on contact area.  
100 μinch (2.54 μm) minimum  
Tin on terminal area.

**TG30** = 30 μinch (.762 μm) minimum  
Gold on contact area.  
100 μinch (2.54 μm) minimum  
Tin on terminal area.

**TG** = 10 μinch (.254 μm) minimum  
Gold on contact area.  
100 μinch (2.54 μm) minimum  
Tin on contact area.

All options include an underplate of 50 μinch  
(1.27 μm) minimum Nickel.

## IDC Product Specifications and Test Data

### Electrical

Current Rating .....	1 Amp
Insulation Resistance .....	>5 X 10 <sup>9</sup> Ohms at 500 VDC
Withstanding Voltage .....	500 VRMS at Sea Level
Contact Resistance .....	20 milliohms Maximum

### Environmental

Operating Temperature	
Phos Bronze Contacts .....	-55°C to + 105°C
Be Cu Contacts .....	-55°C to + 125°C

#### Corrosive Atmosphere

Ammonium Polysulfate (4 Hours) .....	R <sub>C</sub> = 9.3 milliohms
Nitric Acid (1 Hour) .....	R <sub>C</sub> = 8.4 milliohms

#### Salt Spray

MIL-STD-1344, Method 1001, Condition B .....	R <sub>C</sub> - 11.7 milliohms
+ 35°C, 96 Hours .....	(no damage)

#### Humidity

MIL-STD-1344, Method 1002, Type I, Condition B .....	R <sub>C</sub> = 14.8 milliohms
96 Hours, 95% Relative Humidity, + 40°C .....	(no damage)

#### Thermal Shock

MIL-STD-1344, Method 1003, Condition A .....	R <sub>C</sub> - 11.7 milliohms
-55°C to + 85°C (5 Cycles) .....	(no damage)

#### Mechanical Shock

MIL-STD-1344, Method 2004, Condition G .....	No Discontinuity
100 Gs, 6 milliSeconds Each Axis	

#### Vibration

MIL-STD-1344, Method 2005, Condition 4 .....	No Discontinuity
10-2000 Hz, 20 G Peak (12 Cycles)	

#### Temperature Life

MIL-STD-1344, Method 1005, 1,000 Hours, Condition 4 .....	R <sub>C</sub> - 14.9 milliohms
+ 105°C	

#### Socket Durability

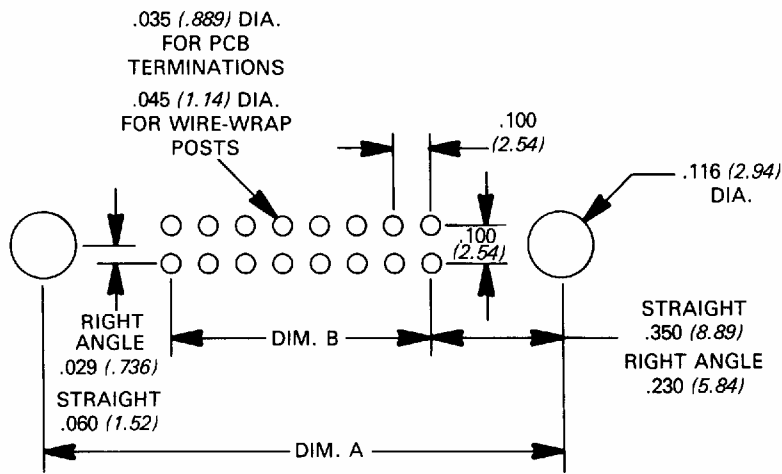
500 Cycles .....	R <sub>C</sub> = <12 milliohms
------------------	--------------------------------

**Note:** For Complete test results on high reliability ROBEX® plating (TR and TR30), contact the factory.

**.025" Sq. Post Headers**

The detail below describes the recommended mounting hole patterns and hole sizes for the following post leader series: IDH-PK, IDH-K, IDH-LP.

Note: The mounting hole information will apply to IDH-PK and IDH-K Series only.



Inches (mm)

No. of Contacts	Dim. A for Straight Mount	Dim. A for Right Angle Mount	Dim. B
10	1.100 (27.94)	.860 (21.84)	.400 (10.16)
14	1.300 (33.02)	1.060 (26.92)	.600 (15.24)
16	1.400 (35.56)	1.160 (29.46)	.700 (17.78)
20	1.600 (40.64)	1.360 (34.54)	.900 (22.86)
26	1.900 (48.26)	1.660 (42.16)	1.200 (30.48)
34	2.300 (58.42)	2.060 (52.32)	1.600 (40.64)
40	2.600 (66.04)	2.360 (59.94)	1.900 (48.26)
50	3.100 (78.74)	2.860 (72.64)	2.400 (60.96)
60	3.600 (91.44)	3.360 (85.34)	2.900 (73.66)