



FAST CMOS OCTAL D REGISTER (3-STATE)

IDT54/74FCT374T/AT/CT

FEATURES:

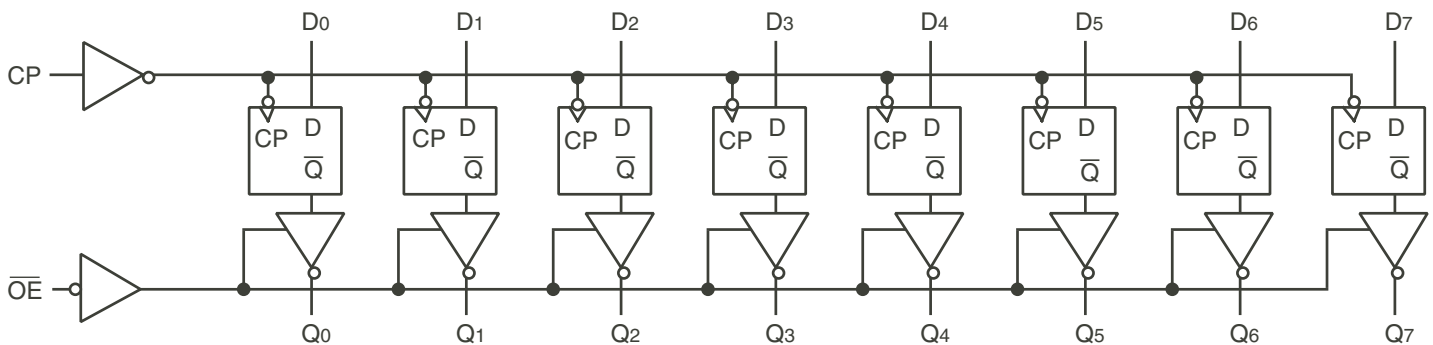
- Std., A, and C grades
- Low input and output leakage $\leq 1\mu\text{A}$ (max.)
- CMOS power levels
- True TTL input and output compatibility:
 - $V_{OH} = 3.3V$ (typ.)
 - $V_{OL} = 0.3V$ (typ.)
- High Drive outputs (-15mA I_{OH} , 48mA I_{OL})
- Meets or exceeds JEDEC standard 18 specifications
- Military product compliant to MIL-STD-883, Class B and DESC listed (dual marked)
- Power off disable outputs permit "live insertion"
- Available in the following packages:
 - Industrial: SOIC, SSOP, QSOP
 - Military: CERDIP, LCC

DESCRIPTION:

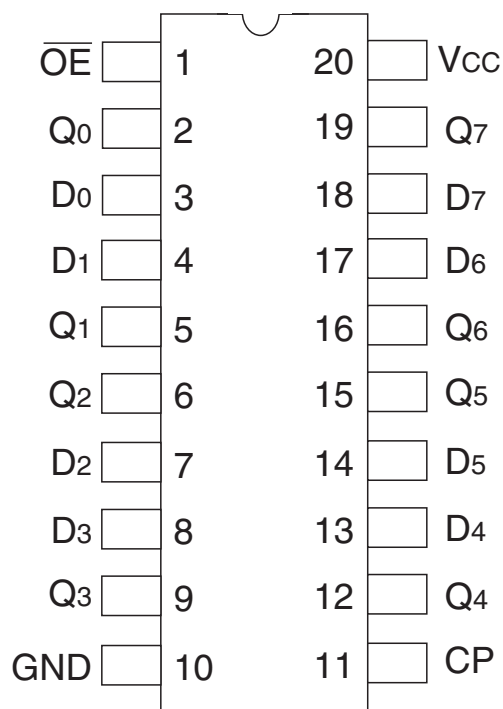
The FCT374T is an 8-bit register built using an advanced dual metal CMOS technology. These registers consist of eight D-type flip-flops with a buffered common clock and buffered 3-state output control. When the output enable (\overline{OE}) input is low, the eight outputs are enabled. When the \overline{OE} input is high, the outputs are in the high-impedance state.

Input data meeting the set-up and hold time requirements of the D inputs is transferred to the Q outputs on the low-to-high transition of the clock input.

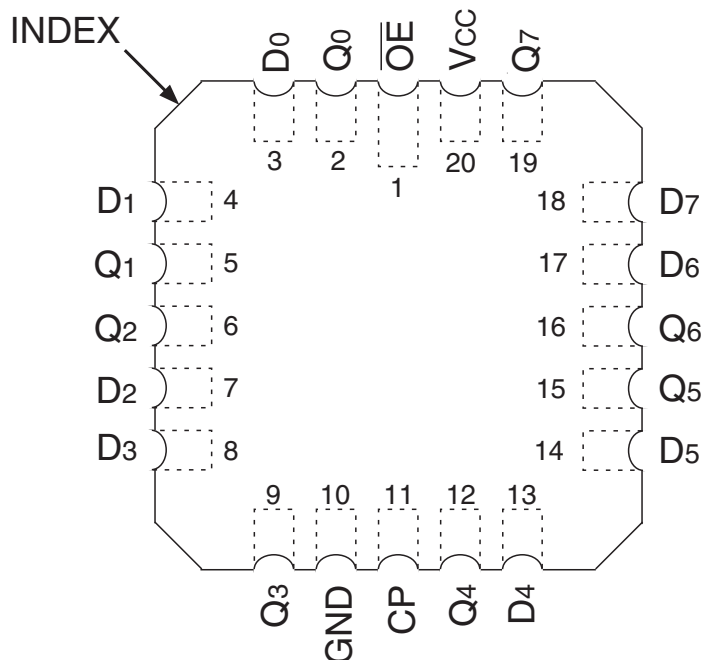
FUNCTIONAL BLOCK DIAGRAM



PIN CONFIGURATION



CERDIP/ SOIC/ SSOP/ QSOP
TOP VIEW



LCC
TOP VIEW

ABSOLUTE MAXIMUM RATINGS⁽¹⁾

| Symbol | Description | Max | Unit |
|----------------------------------|--------------------------------------|------------------------------|------|
| V _{TERM} ⁽²⁾ | Terminal Voltage with Respect to GND | -0.5 to +7 | V |
| V _{TERM} ⁽³⁾ | Terminal Voltage with Respect to GND | -0.5 to V _{CC} +0.5 | V |
| T _{STG} | Storage Temperature | -65 to +150 | °C |
| I _{OUT} | DC Output Current | -60 to +120 | mA |

NOTES:

- Stresses greater than those listed under ABSOLUTE MAXIMUM RATINGS may cause permanent damage to the device. This is a stress rating only and functional operation of the device at these or any other conditions above those indicated in the operational sections of this specification is not implied. Exposure to absolute maximum rating conditions for extended periods may affect reliability. No terminal voltage may exceed V_{CC} by +0.5V unless otherwise noted.
- Inputs and V_{CC} terminals only.
- Output and I/O terminals only.

CAPACITANCE (T_A = +25°C, F = 1.0MHz)

| Symbol | Parameter ⁽¹⁾ | Conditions | Typ. | Max. | Unit |
|------------------|--------------------------|-----------------------|------|------|------|
| C _{IN} | Input Capacitance | V _{IN} = 0V | 6 | 10 | pF |
| C _{OUT} | Output Capacitance | V _{OUT} = 0V | 8 | 12 | pF |

NOTE:

- This parameter is measured at characterization but not tested.

PIN DESCRIPTION

| Pin Names | Description |
|----------------|--|
| D _x | D flip-flop data inputs |
| CP | Clock Pulse for the register. Enters data on LOW-to-HIGH transition. |
| Q _x | 3-State Outputs (TRUE) |
| \bar{Q}_x | 3-State Outputs (INVERTED) |
| \bar{OE} | Active LOW 3-State Output Enable Input |

FUNCTION TABLE⁽¹⁾

| Function | Inputs | | | Outputs | Internal |
|---------------|------------|----|----------------|----------------|-------------|
| | \bar{OE} | CP | D _x | Q _x | \bar{Q}_x |
| High-Z | H | L | X | Z | NC |
| | H | H | X | Z | NC |
| Load Register | L | ↑ | L | L | H |
| | L | ↑ | H | H | L |
| | H | ↑ | L | Z | H |
| | H | ↑ | H | Z | L |

NOTE:

- H = HIGH Voltage Level
X = Don't Care
L = LOW Voltage Level
Z = High Impedance
NC = No Change
↑ = LOW-to-HIGH transition

DC ELECTRICAL CHARACTERISTICS OVER OPERATING RANGE

Following Conditions Apply Unless Otherwise Specified:

Industrial: $T_A = -40^{\circ}\text{C}$ to $+85^{\circ}\text{C}$, $V_{CC} = 5.0\text{V} \pm 5\%$; Military: $T_A = -55^{\circ}\text{C}$ to $+125^{\circ}\text{C}$, $V_{CC} = 5.0\text{V} \pm 10\%$

| Symbol | Parameter | Test Conditions ⁽¹⁾ | | Min. | Typ. ⁽²⁾ | Max. | Unit |
|-----------|---|--|---------------------|------|---------------------|---------|---------------|
| V_{IH} | Input HIGH Level | Guaranteed Logic HIGH Level | | 2 | — | — | V |
| V_{IL} | Input LOW Level | Guaranteed Logic LOW Level | | — | — | 0.8 | V |
| I_{IH} | Input HIGH Current ⁽⁴⁾ | $V_{CC} = \text{Max.}$ | $V_I = 2.7\text{V}$ | — | — | ± 1 | μA |
| I_{IL} | Input LOW Current ⁽⁴⁾ | $V_{CC} = \text{Max.}$ | $V_I = 0.5\text{V}$ | — | — | ± 1 | μA |
| I_{OZH} | High Impedance Output Current (3-State output pins) ⁽⁴⁾ | $V_{CC} = \text{Max.}$ | $V_O = 2.7\text{V}$ | — | — | ± 1 | μA |
| I_{OZL} | | | $V_O = 0.5\text{V}$ | — | — | ± 1 | |
| I_I | Input HIGH Current ⁽⁴⁾ | $V_{CC} = \text{Max.}, V_I = V_{CC} (\text{Max.})$ | | — | — | ± 1 | μA |
| V_{IK} | Clamp Diode Voltage | $V_{CC} = \text{Min.}, I_{IN} = -18\text{mA}$ | | — | -0.7 | -1.2 | V |
| V_H | Input Hysteresis | — | | — | 200 | — | mV |
| I_{CC} | Quiescent Power Supply Current | $V_{CC} = \text{Max.}, V_{IN} = \text{GND or } V_{CC}$ | | — | 0.01 | 1 | mA |

OUTPUT DRIVE CHARACTERISTICS

| Symbol | Parameter | Test Conditions ⁽¹⁾ | | Min. | Typ. ⁽²⁾ | Max. | Unit |
|----------|-----------------------|--|--|------|---------------------|------|------|
| V_{OH} | Output HIGH Voltage | $V_{CC} = \text{Min.}$ $V_{IN} = V_{IH} \text{ or } V_{IL}$ | $I_{OH} = -6\text{mA MIL}$ $I_{OH} = -8\text{mA IND}$ | 2.4 | 3.3 | — | V |
| | | | $I_{OH} = -12\text{mA MIL}$ $I_{OH} = -15\text{mA IND}$ | 2 | 3 | — | |
| V_{OL} | Output LOW Voltage | $V_{CC} = \text{Min.}$ $V_{IN} = V_{IH} \text{ or } V_{IL}$ | $I_{OL} = 32\text{mA MIL}$ $I_{OL} = 48\text{mA IND}$ | — | 0.3 | 0.5 | V |
| I_{OS} | Short Circuit Current | $V_{CC} = \text{Max.}, V_O = \text{GND}^{(3)}$ | | -60 | -120 | -225 | mA |

NOTES:

1. For conditions shown as Min. or Max., use appropriate value specified under Electrical Characteristics for the applicable device type.
2. Typical values are at $V_{CC} = 5.0\text{V}$, $+25^{\circ}\text{C}$ ambient.
3. Not more than one output should be tested at one time. Duration of the test should not exceed one second.
4. The test limit for this parameter is $\pm 5\mu\text{A}$ at $T_A = -55^{\circ}\text{C}$.

POWER SUPPLY CHARACTERISTICS

| Symbol | Parameter | Test Conditions ⁽¹⁾ | | Min. | Typ. ⁽²⁾ | Max. | Unit |
|-----------------|---|---|--|------|---------------------|---------------------|------------|
| ΔI_{CC} | Quiescent Power Supply Current TTL Inputs HIGH | $V_{CC} = \text{Max.}$ $V_{IN} = 3.4V^{(3)}$ | | — | 0.5 | 2 | mA |
| I_{CCD} | Dynamic Power Supply Current ⁽⁴⁾ | $V_{CC} = \text{Max.}$ Outputs Open $\overline{OE} = \text{GND}$ One Input Toggling 50% Duty Cycle | $V_{IN} = V_{CC}$ $V_{IN} = \text{GND}$ | — | 0.15 | 0.25 | mA/ MHz |
| I_C | Total Power Supply Current ⁽⁶⁾ | $V_{CC} = \text{Max.}$ Outputs Open $f_{CP} = 10\text{MHz}$ 50% Duty Cycle $\overline{OE} = \text{GND}$ $f_i = 5\text{MHz}$ One Bit Toggling 50% Duty Cycle | $V_{IN} = V_{CC}$ $V_{IN} = \text{GND}$ | — | 1.5 | 3.5 | mA |
| | | | $V_{IN} = 3.4V$ $V_{IN} = \text{GND}$ | — | 2 | 5.5 | |
| | | $V_{CC} = \text{Max.}$ Outputs Open $f_{CP} = 10\text{MHz}$ 50% Duty Cycle $\overline{OE} = \text{GND}$ Eight Bits Toggling $f_i = 2.5\text{MHz}$ 50% Duty Cycle | $V_{IN} = V_{CC}$ $V_{IN} = \text{GND}$ | — | 3.8 | 7.3 ⁽⁵⁾ | |
| | | | $V_{IN} = 3.4V$ $V_{IN} = \text{GND}$ | — | 6 | 16.3 ⁽⁵⁾ | |

NOTES:

1. For conditions shown as Min. or Max., use appropriate value specified under Electrical Characteristics for the applicable device type.

2. Typical values are at $V_{CC} = 5.0V$, $+25^\circ\text{C}$ ambient.

3. Per TTL driven input: ($V_{IN} = 3.4V$). All other inputs at V_{CC} or GND .

4. This parameter is not directly testable, but is derived for use in Total Power Supply Calculations.

5. Values for these conditions are examples of ΔI_{CC} formula. These limits are guaranteed but not tested.

6. $I_C = I_{QUIESCENT} + I_{INPUTS} + I_{DYNAMIC}$

$I_C = I_{CC} + \Delta I_{CC} D_H N_T + I_{CCD} (f_{CP}/2 + f_i N_i)$

$I_{CC} = \text{Quiescent Current}$

$\Delta I_{CC} = \text{Power Supply Current for a TTL High Input } (V_{IN} = 3.4V)$

$D_H = \text{Duty Cycle for TTL Inputs High}$

$N_T = \text{Number of TTL Inputs at } D_H$

$I_{CCD} = \text{Dynamic Current caused by an Input Transition Pair (HLH or LHL)}$

$f_{CP} = \text{Clock Frequency for Register Devices (Zero for Non-Register Devices)}$

$f_i = \text{Output Frequency}$

$N_i = \text{Number of Outputs at } f_i$

All currents are in milliamps and all frequencies are in megahertz.

SWITCHING CHARACTERISTICS OVER OPERATING RANGE - INDUSTRIAL

| Symbol | Parameter | Condition ⁽¹⁾ | 74FCT374AT | | 74FCT374CT | | Unit |
|------------------|---|--|---------------------|------|---------------------|------|------|
| | | | Min. ⁽²⁾ | Max. | Min. ⁽²⁾ | Max. | |
| t _{PLH} | Propagation Delay | C _L = 50pF R _L = 500Ω | 2 | 6.5 | 2 | 5.2 | ns |
| t _{PHL} | CP to Qx | | | | | | |
| t _{PZH} | Output Enable Time | | 1.5 | 6.5 | 1.5 | 5.5 | ns |
| t _{PZL} | | | | | | | |
| t _{PHZ} | Output Disable Time | | 1.5 | 5.5 | 1.5 | 5 | ns |
| t _{PLZ} | | | | | | | |
| t _{SU} | Set-up Time HIGH or LOW Dx to CP | | 2 | — | 2 | — | ns |
| t _H | Hold Time HIGH or LOW Dx to CP | | 1.5 | — | 1.5 | — | ns |
| t _w | CP Pulse Width HIGH or LOW ⁽³⁾ | 5 | — | 5 | — | ns | |

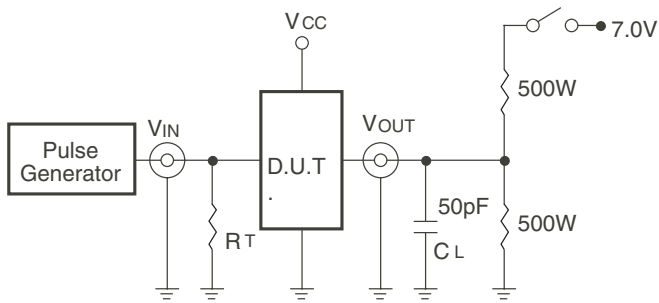
SWITCHING CHARACTERISTICS OVER OPERATING RANGE - MILITARY

| Symbol | Parameter | Condition ⁽¹⁾ | 54FCT374T | | 54FCT374AT | | 54FCT374CT | | Unit |
|------------------|---|--|---------------------|------|---------------------|------|---------------------|------|------|
| | | | Min. ⁽²⁾ | Max. | Min. ⁽²⁾ | Max. | Min. ⁽²⁾ | Max. | |
| t _{PLH} | Propagation Delay | C _L = 50pF R _L = 500Ω | 2 | 11 | 2 | 7.2 | 2 | 6.2 | ns |
| t _{PHL} | CP to Qx | | | | | | | | |
| t _{PZH} | Output Enable Time | | 1.5 | 14 | 1.5 | 7.5 | 1.5 | 6.2 | ns |
| t _{PZL} | | | | | | | | | |
| t _{PHZ} | Output Disable Time | | 1.5 | 8 | 1.5 | 6.5 | 1.5 | 5.7 | ns |
| t _{PLZ} | | | | | | | | | |
| t _{SU} | Set-up Time HIGH or LOW Dx to CP | | 2 | — | 2 | — | 2 | — | ns |
| t _H | Hold Time HIGH or LOW Dx to CP | | 1.5 | — | 1.5 | — | 1.5 | — | ns |
| t _w | CP Pulse Width HIGH or LOW ⁽³⁾ | 7 | — | 6 | — | 6 | — | ns | |

NOTES:

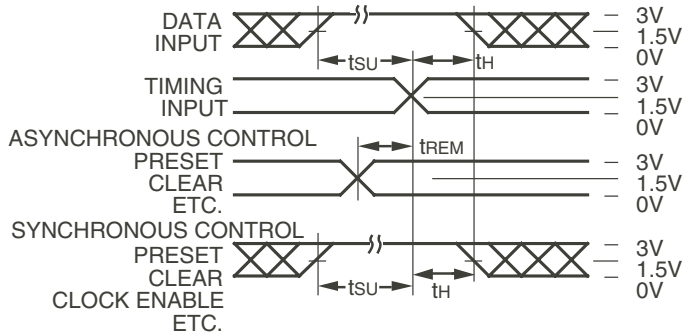
1. See test circuit and waveforms.
2. Minimum limits are guaranteed but not tested on Propagation Delays.
3. This parameter is guaranteed but not tested.

TEST CIRCUITS AND WAVEFORMS



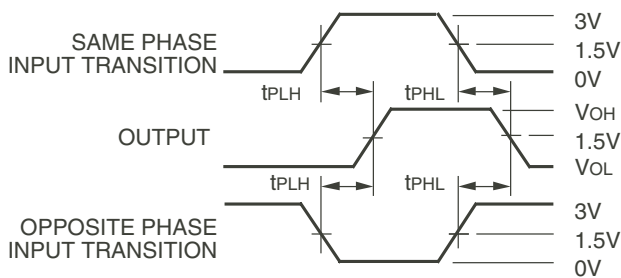
Octal Link

Test Circuits for All Outputs



Octal Link

Set-Up, Hold, and Release Times



Octal Link

Propagation Delay

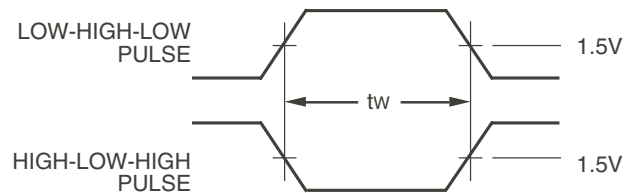
SWITCH POSITION

| Test | Switch |
|---|--------|
| Open Drain Disable Low Enable Low | Closed |
| All Other Tests | Open |

DEFINITIONS:

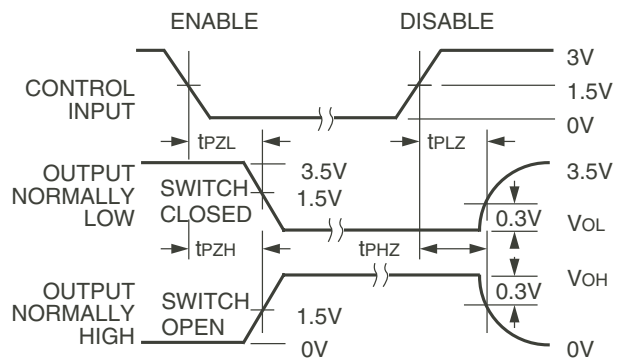
C_L = Load capacitance: includes jig and probe capacitance.

R_T = Termination resistance: should be equal to Z_{OUT} of the Pulse Generator.



Pulse Width

Octal Link



Octal Link

Enable and Disable Times

NOTES:

- Diagram shown for input Control Enable-LOW and input Control Disable-HIGH.
- Pulse Generator for All Pulses: Rate $\leq 1.0\text{MHz}$; $t_r \leq 2.5\text{ns}$; $t_f \leq 2.5\text{ns}$.

ORDERING INFORMATION

| XX | FCT | XXXX | XX | X | | |
|-------------|-----|-------------|---------|------------------------|---|--|
| Temp. Range | | Device Type | Package | Process | | |
| | | | | Blank B | Industrial MIL-STD-883, Class B | |
| | | | | SOG PYG QG | <u>Industrial Options</u> Small Outline IC - Green Shrink Small Outline Package - Green Quarter-size Small Outline Package - Green | |
| | | | | D L | <u>Military Options</u> CERDIP Leadless Chip Carrier | |
| | | | | 374T 374AT 374CT | Fast CMOS Octal D Register (3-State) | |
| | | | | 54 74 | 55 C to +125 C 40 C to +85 C | |

Datasheet Document History

10/03/09 Pg. 7 Updated the ordering information by removing the "IDT" notation and non RoHS part.



CORPORATE HEADQUARTERS
6024 Silver Creek Valley Road
San Jose, CA 95138

for SALES:
800-345-7015 or 408-284-8200
fax: 408-284-2775
www.idt.com

for Tech Support:
logichelp@idt.com