



## 2.5V PHASE LOCKED LOOP CLOCK DRIVER

### IDTCSPT855

#### FEATURES:

- PLL clock driver for DDR (Double Data Rate) synchronous DRAM applications
- Spread spectrum clock compatible
- Operating frequency: 60MHz to 180MHz
- Low jitter (cycle-to-cycle):  $\pm 50\text{ps}$
- Distributes one differential clock input to four differential clock outputs
- Enters low power mode and 3-state outputs when input CLK signal is less than 20MHz or PWRDWN is low
- Operates from dual 2.5V supplies
- Consumes  $<200\mu\text{A}$  quiescent current
- External feedback pins (FBIN,  $\overline{\text{FBIN}}$ ) are used to synchronize outputs to input clocks
- Available in TSSOP package

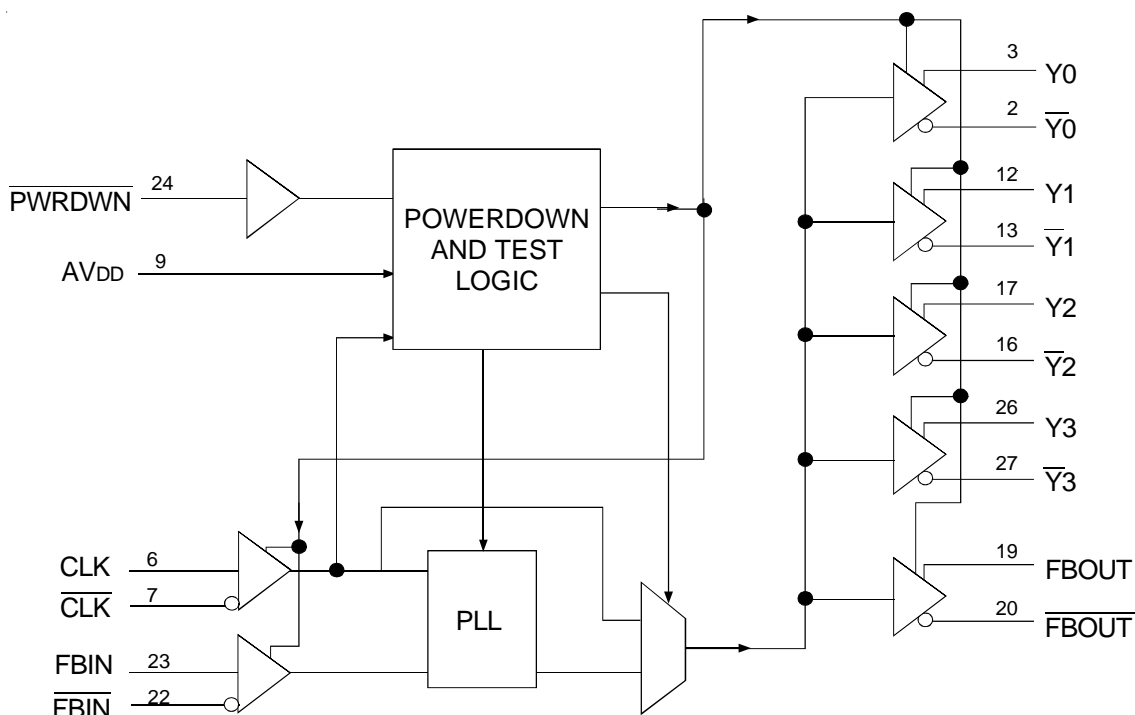
#### DESCRIPTION:

The CSPT855 is a high-performance, low-skew, low-jitter zero delay buffer that distributes one differential clock input pair (CLK,  $\overline{\text{CLK}}$ ) to four differential output pairs (Y<sub>[0:3]</sub>,  $\overline{\text{Y}}_{[0:3]}$ ) and one differential pair of feedback clock outputs (FBOUT,  $\overline{\text{FBOUT}}$ ). When  $\overline{\text{PWRDWN}}$  is high, the outputs switch in phase and frequency with CLK. When  $\overline{\text{PWRDWN}}$  is low, all outputs are disabled to a high-impedance state (3-state), and the PLL is shut down (low-power mode). The device also enters this low-power mode when the input frequency falls below a suggested detection frequency that is below 20MHz (typical 10MHz). An input frequency detection circuit detects the low-frequency condition, and after applying a  $>20\text{MHz}$  input signal, this detection circuit reactivates the PLL and enables the outputs.

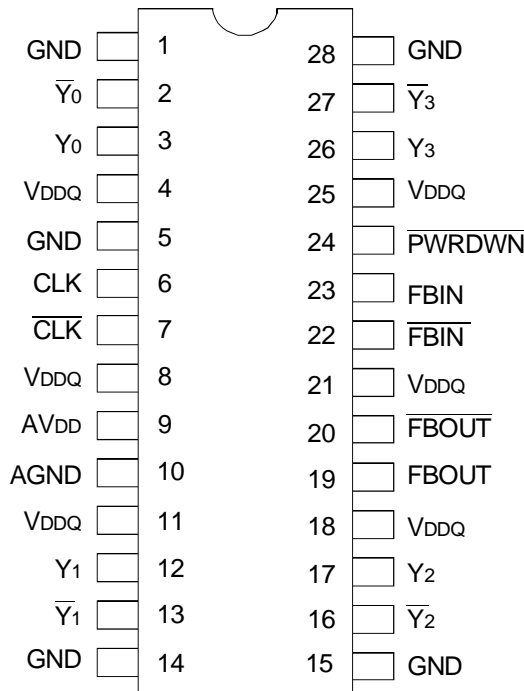
When  $\text{AV}_{\text{DD}}$  is tied to GND, the PLL is turned off and bypassed for test purposes. The CSPT855 is also able to track spread spectrum clocking for reduced EMI.

Since the CSPT855 is based on PLL circuitry, it requires a stabilization time to achieve phase-lock of the PLL. This stabilization time is required following power up.

#### FUNCTIONAL BLOCK DIAGRAM



## PIN CONFIGURATION



TSSOP  
TOP VIEW

## ABSOLUTE MAXIMUM RATINGS<sup>(1)</sup>

Symbol	Rating	Max	Unit
V <sub>DDQ</sub> , AV <sub>DD</sub>	Supply Voltage Range	-0.5 to +3.6	V
V <sub>I</sub> <sup>(2)</sup>	Input Voltage Range	-0.5 to V <sub>DDQ</sub> + 0.5	V
V <sub>O</sub> <sup>(2)</sup>	Output Voltage Range	-0.5 to V <sub>DDQ</sub> + 0.5	V
I <sub>IK</sub> (V <sub>I</sub> < 0 or V <sub>I</sub> < V <sub>DDQ</sub> )	Input Clamp Current	±50	mA
I <sub>OK</sub> (V <sub>O</sub> < 0 or V <sub>O</sub> > V <sub>DDQ</sub> )	Output Clamp Current	±50	mA
I <sub>O</sub> (V <sub>O</sub> = 0 to V <sub>DDQ</sub> )	Continuous Output Current	±50	mA
V <sub>DDQ</sub> or GND	Continuous Current	±100	mA
θ <sub>JA</sub> <sup>(3)</sup>	Package Thermal Impedance	105.8	°C/W
T <sub>STG</sub>	Storage Temperature Range	-65 to +150	°C

### NOTES:

- Stresses greater than those listed under ABSOLUTE MAXIMUM RATINGS may cause permanent damage to the device. This is a stress rating only and functional operation of the device at these or any other conditions above those indicated in the operational sections of this specification is not implied. Exposure to absolute maximum rating conditions for extended periods may affect reliability.
- The input and output negative-voltage ratings may be exceeded if the input and output clamp-current ratings are observed. This value is limited to 3.6V maximum.
- The package thermal impedance is calculated in accordance with JE5D 51.

## PIN DESCRIPTION

Pin Name	Pin Number	I/O	Description
AGND	10		Ground for 2.5V analog supply
AV <sub>DD</sub>	9		2.5V analog supply
CLK, CLK-bar	6, 7	I	Differential clock input
FBIN-bar, FBIN	23, 22	I	Feedback differential clock input
FBOUT, FBOUT-bar	19, 20	O	Feedback differential clock output
GND	1, 5, 14, 15, 28		Ground
PWRDWN	24	I	Control input to turn device in the power-down mode
V <sub>DDQ</sub>	4, 8, 11, 18, 21, 25		2.5V supply
Y <sub>[0:3]</sub>	3, 12, 17, 26	O	Buffered output copies of input clock, CLK
Y <sub>[0:3]</sub> -bar	2, 13, 16, 27	O	Buffered output copies of input clock, CLK-bar

## FUNCTION TABLE<sup>(1)</sup>

INPUTS				OUTPUTS				
AVDD	PWRDWN	CLK	CLK	Y	Y	FBOUT	FBOUT	PLL
GND	H	L	H	L	H	L	H	Bypassed/OFF
GND	H	H	L	H	L	H	L	Bypassed/OFF
X	L	L	H	Z	Z	Z	Z	OFF
X	L	H	L	Z	Z	Z	Z	OFF
2.5V (nom)	H	L	H	L	H	L	H	ON
2.5V (nom)	H	H	L	H	L	H	L	ON
2.5V (nom)	X	<20MHz <sup>(2)</sup>	<20MHz <sup>(2)</sup>	Z	Z	Z	Z	OFF

### NOTES:

- H = HIGH Voltage Level  
L = LOW Voltage Level  
Z = High-Impedance OFF-State  
X = Don't Care
- Typically 10MHz.

## RECOMMENDED OPERATING CONDITIONS<sup>(1)</sup>

Symbol	Parameter		Min.	Typ.	Max.	Unit
AVDD, VDDQ	Supply Voltage		2.3	—	2.7	V
VIL	Input Voltage LOW	CLK, CLK, FBIN, FBIN	—	—	VDDQ/2 - 0.18	V
		PWRDWN	-0.3	—	0.7	
VIH	Input Voltage HIGH	CLK, CLK, FBIN, FBIN	VDDQ/2 + 0.18	—	—	V
		PWRDWN	1.7	—	VDDQ/2 + 0.3	
	DC Input Signal Voltage <sup>(2)</sup>		-0.3	—	VDDQ	V
VID	Differential Input Signal Voltage <sup>(3)</sup>	CLK, FBIN	0.36	—	VDDQ + 0.6	V
VO(X)	Output Differential Cross-Voltage <sup>(4)</sup>		VDDQ/2 - 0.2	VDDQ/2	VDDQ/2 + 0.2	V
VI(X)	Input Differential Pair Cross-Voltage <sup>(4)</sup>		VDDQ/2 - 0.2	—	VDDQ/2 + 0.2	V
IOH	HIGH-Level Output Current		—	—	-12	mA
IOL	LOW-Level Output Current		—	—	12	mA
SR	Input Slew Rate, see figure 8		1	—	4	V/ns
TA	Operating Free-Air Temperature	Commercial	0	—	+70	°C
		Industrial	-40	—	+85	

### NOTES:

- Unused inputs must be held HIGH or LOW to prevent them from floating.
- DC input signal voltage specifies the allowable DC execution of differential input.
- Differential input signal voltage specifies the differential voltage  $|V_{TR} - V_{CP}|$  required for switching, where  $V_{TR}$  is the true input level and  $V_{CP}$  is the complementary input level.
- Differential cross-point voltage is expected to track variations of  $V_{DDQ}$  and is the voltage at which the differential signals must be crossing.

## DC ELECTRICAL CHARACTERISTICS OVER OPERATING RANGE

Following Conditions Apply Unless Otherwise Specified:

Commercial: TA = 0°C to +70°C; Industrial: TA = -40°C to +85°C

Symbol	Parameter	Conditions	Min.	Typ. <sup>(1)</sup>	Max.	Unit	
V <sub>IK</sub>	Input Voltage (All Inputs)	V <sub>DDQ</sub> = 2.3V, I <sub>I</sub> = -18mA	—	—	-1.2	V	
V <sub>OH</sub>	HIGH-Level Output Voltage	V <sub>DDQ</sub> = Min. to Max., I <sub>OH</sub> = -1mA	V <sub>DDQ</sub> - 0.1	—	—	V	
		V <sub>DDQ</sub> = 2.3V, I <sub>OH</sub> = -12mA	1.7	—	—		
V <sub>OL</sub>	LOW-Level Output Voltage	V <sub>DDQ</sub> = Min. to Max., I <sub>OL</sub> = 1mA	—	—	0.1	V	
		V <sub>DDQ</sub> = 2.3V, I <sub>OL</sub> = 12mA	—	—	0.6		
I <sub>OH</sub>	HIGH-Level Output Current	V <sub>DDQ</sub> = 2.3V, V <sub>O</sub> = 1V	-18	-32	—	mA	
I <sub>OL</sub>	LOW-Level Output Current	V <sub>DDQ</sub> = 2.3V, V <sub>O</sub> = 1.2V	26	35	—	mA	
V <sub>OD</sub>	Output Voltage Swing	Differential outputs are terminated with 120Ω	1.1	—	V <sub>DDQ</sub> - 0.4	V	
V <sub>OX</sub>	Output Differential Cross Voltage <sup>(2)</sup>	Differential outputs are terminated with 120Ω	V <sub>DDQ</sub> /2 - 0.2	V <sub>DDQ</sub> /2	V <sub>DDQ</sub> /2 + 0.2	V	
I <sub>I</sub>	Input Current	V <sub>DDQ</sub> = 2.7V, V <sub>I</sub> = 0V to 2.7V	—	—	±10	μA	
I <sub>OZ</sub>	High-Impedance State Output Current	V <sub>DDQ</sub> = 2.7V, V <sub>O</sub> = V <sub>DDQ</sub> or GND	—	—	±10	μA	
I <sub>DD(PD)</sub>	Power-Down Current on V <sub>DDQ</sub> and AV <sub>DD</sub>	CLK and $\overline{\text{CLK}}$ = 0MHz, $\overline{\text{PWRDWN}}$ = LOW, Σ of I <sub>DD</sub> and A <sub>IDD</sub>	—	100	200	μA	
I <sub>DD</sub>	Dynamic Current on V <sub>DDQ</sub>	C <sub>L</sub> = 14pF	f <sub>o</sub> = 167MHz, Differential outputs terminated with 120Ω	—	150	180	mA
		C <sub>L</sub> = 0pF	f <sub>o</sub> = 167MHz, Differential outputs terminated with 120Ω	—	130	160	
A <sub>IDD</sub>	Supply Current on AV <sub>DD</sub>	f <sub>o</sub> = 167MHz	—	8	10	mA	
C <sub>I</sub>	Input Capacitance	V <sub>DDQ</sub> = 2.5V, V <sub>I</sub> = V <sub>DDQ</sub> or GND	2	2.5	3	pF	
C <sub>O</sub>	Output Capacitance	V <sub>DDQ</sub> = 2.5V, V <sub>I</sub> = V <sub>DDQ</sub> or GND	2.5	3	3.5	pF	

### NOTES:

- All typical values are at respective nominal V<sub>DDQ</sub>.
- Differential cross-point voltage is expected to track variation of V<sub>DDQ</sub> and is the voltage at which the differential signals must be crossing.

## TIMING REQUIREMENTS

Symbol	Parameter	Min.	Max.	Unit
f <sub>CLK</sub>	Operating Clock Frequency	60	180	MHz
t <sub>DC</sub>	Input Clock Duty Cycle	40	60	%
t <sub>L</sub>	Stabilization Time (PLL Mode) <sup>(1)</sup>	—	10	μs
t <sub>L</sub>	Stabilization Time (Bypass Mode) <sup>(2)</sup>	—	30	ns

### NOTES:

- Recovery time required when the device goes from power-down mode into bypass mode (test mode with AV<sub>DD</sub> at GND).
- Time required for the integrated PLL circuit to obtain phase lock of its feedback signal to its reference signal. For phase lock to be obtained, a fixed-frequency, fixed-phase reference signal must be present at CLK. Until phase lock is obtained, the specifications for propagation delay, skew, and jitter parameters given in the switching characteristics table are not applicable. This parameter does not apply for input modulation under SSC application.

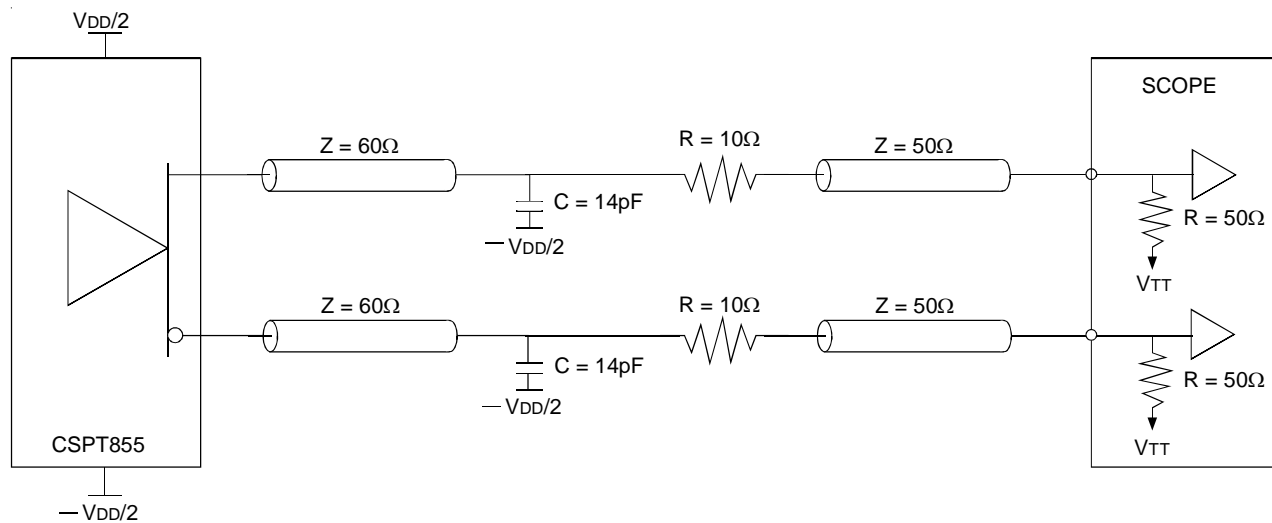
## SWITCHING CHARACTERISTICS

Symbol	Description	Test Conditions	Min.	Typ. <sup>(1)</sup>	Max.	Unit	
t <sub>PLH</sub> <sup>(2)</sup>	LOW to HIGH Level Propagation Delay Time	Test mode, CLK to any output	—	4.5	—	ns	
t <sub>PHL</sub> <sup>(2)</sup>	HIGH to LOW Level Propagation Delay Time	Test mode, CLK to any output	—	4.5	—	ns	
t <sub>JIT(PER)</sub> <sup>(3)</sup>	Jitter (period), see figure 6	66MHz	-55	—	55	ps	
		100/ 133/ 167/ 180 MHz	-35	—	35		
t <sub>JIT(CC)</sub> <sup>(3)</sup>	Jitter (cycle-to-cycle), see figure 2	66MHz	-60	—	60	ps	
		100/ 133/ 167/ 180 MHz	-50	—	50		
t <sub>JIT(HPER)</sub> <sup>(3)</sup>	Half-Period Jitter, see figure 7	66MHz	-130	—	130	ps	
		100MHz	-90	—	90		
		133/ 167/ 180 MHz	-75	—	75		
t <sub>SLR(O)</sub>	Output Clock Slew Rate (single-ended), see figure 8	Load: 120Ω / 14pF	1	—	2	V/ns	
		Load: 120Ω / 4pF	1	—	3		
t <sub>D(∅)</sub> <sup>(3)</sup>	Dynamic Phase Offset (includes jitter) see figure 4	SSC Off	66MHz	-180	—	180	ps
			100/ 133 MHz	-130	—	130	
			167/ 180 MHz	-90	—	90	
		SSC On	66MHz	-230	—	230	
			100/ 133 MHz	-170	—	170	
			167/ 180 MHz	-100	—	100	
t <sub>(∅)</sub>	Static Phase Offset, see figure 3	66MHz	-150	—	150	ps	
		100/ 133/ 167/ 180 MHz	-100	—	100		
t <sub>SK(O)</sub> <sup>(4)</sup>	Output Skew, see figure 5		—	—	50	ps	
t <sub>R,TF</sub>	Output Rise and Fall Times (20% to 80%)	Load: 120Ω / 14pF	650	—	900	ps	

### NOTES:

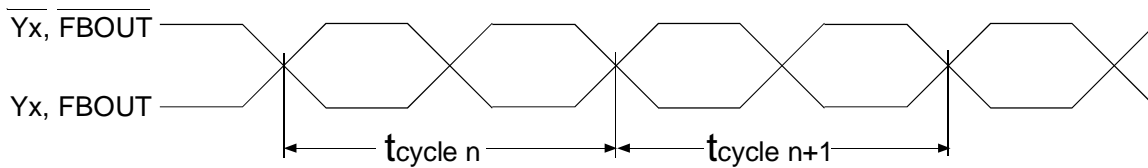
1. All typical values are at respective nominal V<sub>DDO</sub>.
2. Refers to transition of non-inverting output.
3. This parameter guaranteed by design but not production tested.
4. All differential output pins are terminated with 120Ω / 14pF.

TEST CIRCUIT AND SWITCHING WAVEFORMS



NOTE:  
1.  $V_{TT} = GND$

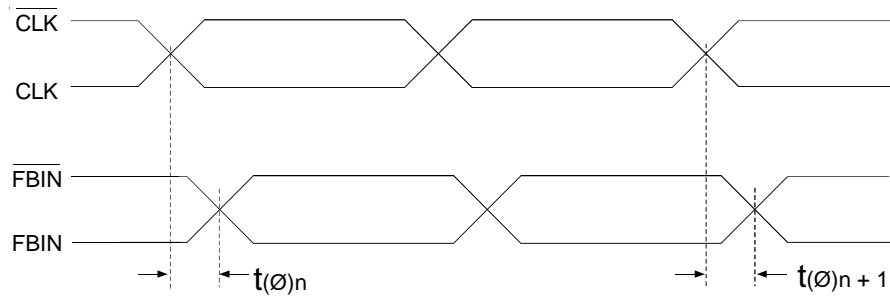
Figure 1. Output Load Test Circuit



$$t_{jit(cc)} = t_{cycle\ n} - t_{cycle\ n+1}$$

Figure 2. Cycle-to-Cycle jitter

### TEST CIRCUIT AND SWITCHING WAVEFORMS



$$t(\phi) = \frac{\sum_{n=1}^{n=N} t(\phi)_n}{N}$$

(N is a large number of samples)

Figure 3. Static Phase Offset

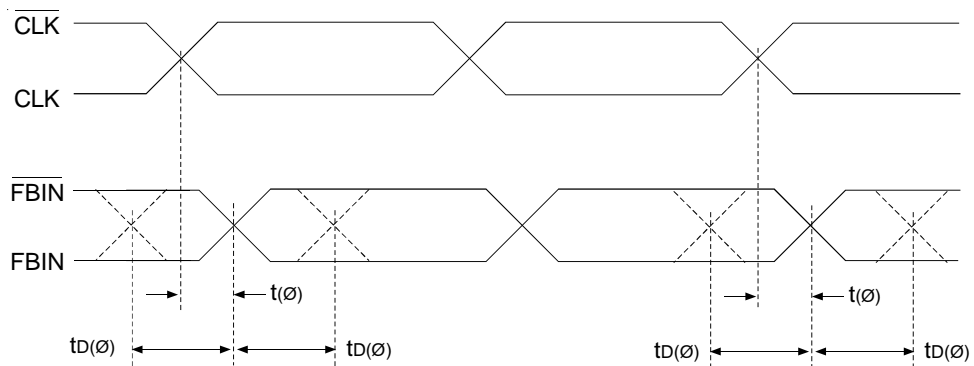


Figure 4. Dynamic Phase Offset

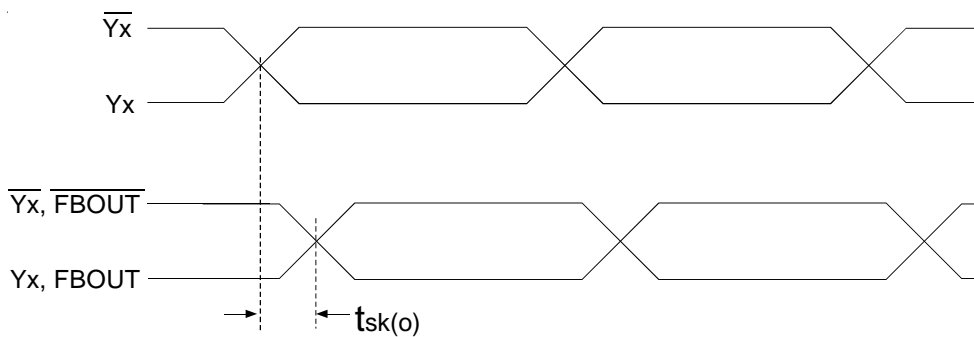
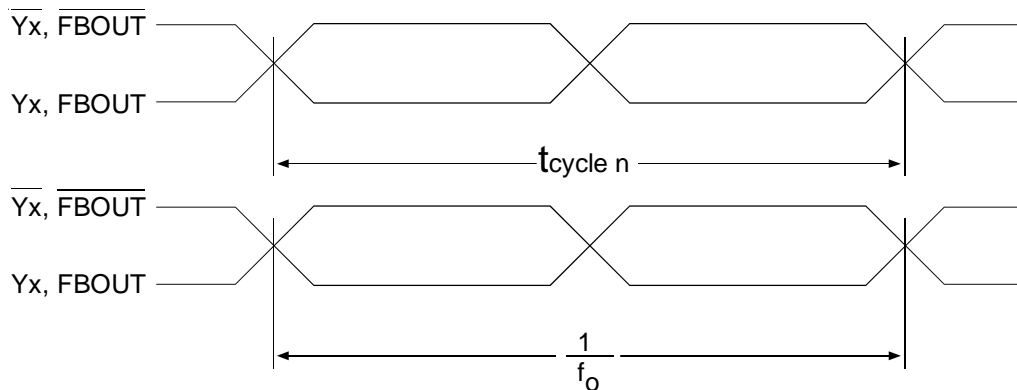


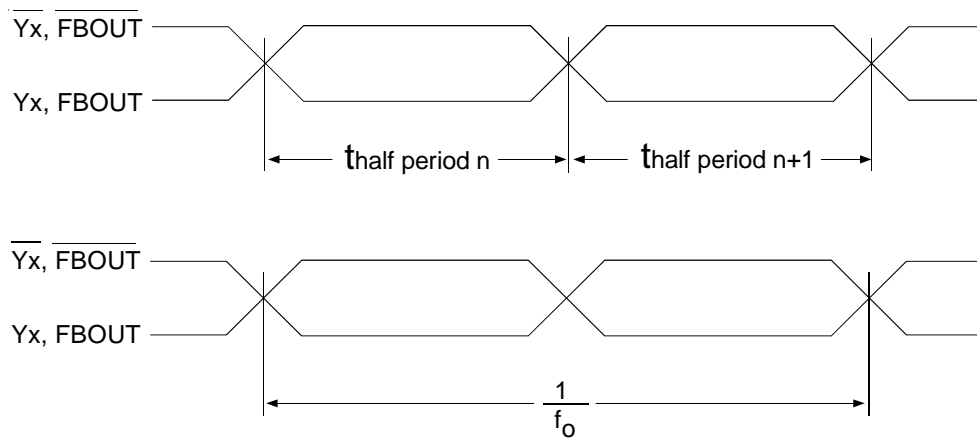
Figure 5. Output Skew

TEST CIRCUIT AND SWITCHING WAVEFORMS



$$t_{jit(per)} = t_{cycle n} - \frac{1}{f_0}$$

Figure 6. Period jitter



$$t_{jit(hper)} = t_{half period n} - \frac{1}{2 \cdot f_0}$$

Figure 7. Half-Period jitter



### TEST CIRCUIT AND SWITCHING WAVEFORMS



Figure 8. Input and Output Slew Rates

## ORDERING INFORMATION

IDTCSPT	<u>XXXXX</u>	<u>XX</u>	<u>X</u>		
	Device Type	Package	Process		
				Blank	0°C to +70°C (Commercial)
				I	-40°C to +85°C (Industrial)
				PG	Thin Shrink Small Outline Package
				855	2.5V PLL Clock Driver



**CORPORATE HEADQUARTERS**  
2975 Stender Way  
Santa Clara, CA 95054

**for SALES:**  
800-345-7015 or 408-727-6116  
fax: 408-492-8674  
www.idt.com

**for Tech Support:**  
logichelp@idt.com  
(408) 654-6459