



NO: RD-SD-GST5009(BL)
DATE: 2007/09/28 R (REV: A2)

1000 BASE-T MAGNETICS MODULES

MODEL NO.: IH-037

FEATURE:

RoHS Compliant

RoHS peak soldering rating: 260°C / 3~5 sec

Designed to Meet IR Requirement

Operation Temp : 0°C~70°C

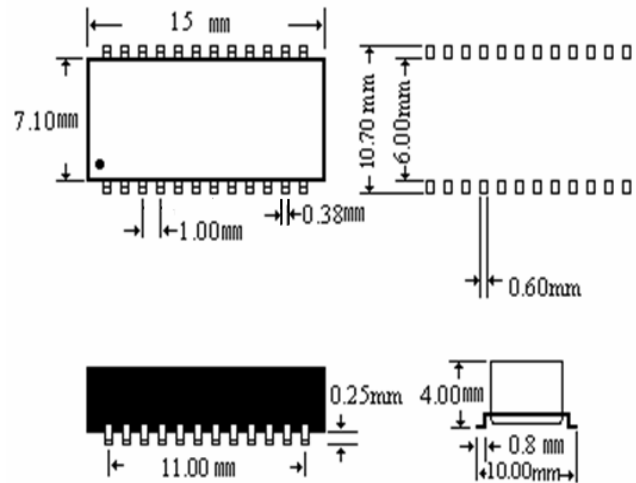
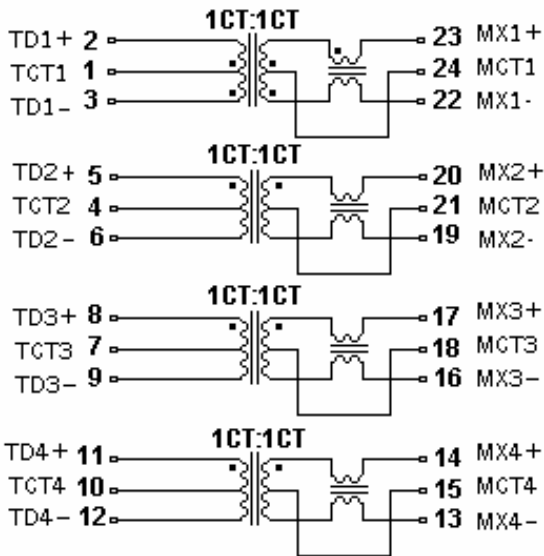
Turns Ratio (±5%): 1CT:1CT (TX/RX)

Specifications: At 25°C

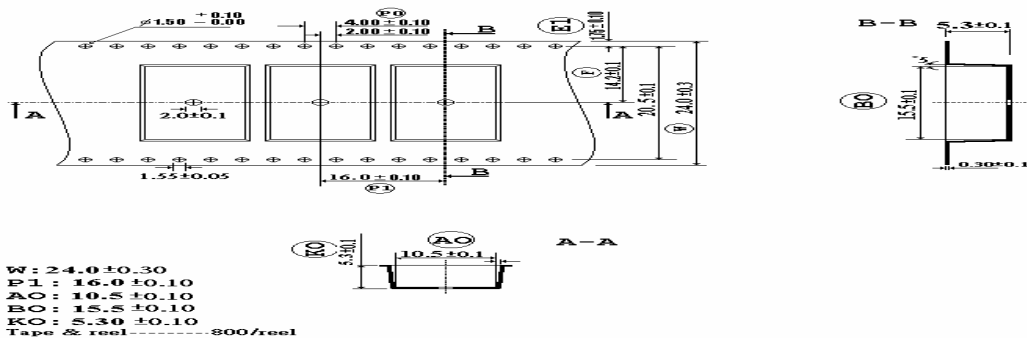
Part Number	Insertion Loss (dB MAX)	Return Loss (dB Min @100Ω)					Differential to Common Mode Rejection (dB MIN)			Cross talk (dB MIN)			Hi pot (Vrms MIN)
		1-30	40	50	60-80	100 MHz	30	60	100 MHz	30	60	100 MHz	
IH-037	1~100 MHz	1-30	40	50	60-80	100 MHz	30	60	100 MHz	30	60	100 MHz	1500
	1.0	-18	-14.4	-13.1	-12	-10	-43	-37	-33	-45	-40	-35	

SCHEMATICS:

DIMENSION: mm TOLERANCE:± 0.25

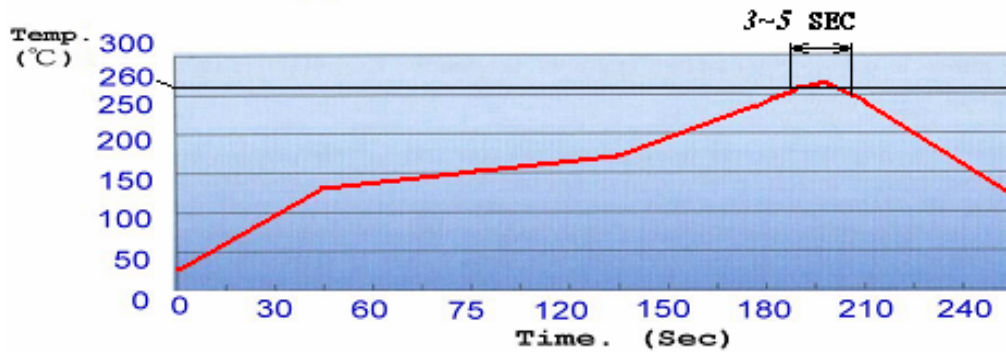


Packing :



MODEL NO.: IH-037

Profile of IR Reflow (Lead Free)



PACKING	
1.	Tape & Reel : 800pcs / Reel , 4000pcs / Carton
2.	Dry Pack : 1pcs Product Description:(5g Silica Gel Desiccant) PH: 4-8 Package Materials: Paper(Length 6.5±1cm , Width 5±1cm)
3.	Reel Packed By Vacuum
4.	Seal Per Jedec

