 <i>Good Display</i>	E paper IC Specifications	SPEC NO	
	IL3820	REV NO	

Good Display Specifications

Prepared: AiMing Wei
Checked: YongCheng Jian
Approved: Boris Ren
Issue Date: 2016.4.7



Dalian Good Display Co., Ltd.

No.17 Gonghua Street, Shahekou District, Dalian 116021 China
Tel: +86-411-84619565 Fax: +86-411-84619585
E-mail: info@good-display.com
Website: www.good-display.com

**CONTENTS**

1	GENERAL DESCRIPTION	5
2	FEATURES	5
3	ORDERING INFORMATION	6
4	BLOCK DIAGRAM	6
5	PIN DESCRIPTION	7
6	FUNCTIONAL BLOCK DESCRIPTION	11
6.1	MCU INTERFACE.....	11
6.1.1	MCU Interface selection.....	11
6.1.2	MCU 6800-series Parallel Interface.....	11
6.1.3	MCU 8080-series Parallel Interface.....	12
6.1.4	MCU Serial Peripheral Interface (4-wire SPI).....	15
6.1.5	MCU Serial Peripheral Interface (3-wire SPI).....	16
6.2	RAM	17
6.3	OSCILLATOR.....	17
6.4	BOOSTER & REGULATOR	18
6.5	PANEL DRIVING WAVEFORM.....	19
6.6	VCOM SENSING	20
6.7	GATE AND PROGRAMMABLE SOURCE WAVEFORM.....	20
6.8	WAVEFORM LOOK UP TABLE (LUT).....	21
6.9	OTP	21
6.9.1	Temperature Searching Mechanism.....	23
6.10	EXTERNAL TEMPERATURE SENSOR I2C SINGLE MASTER INTERFACE.....	24
6.11	CASCADE MODE.....	24
7	COMMAND TABLE	25
8	COMMAND DESCRIPTION	37
8.1	DRIVER OUTPUT CONTROL (01H).....	37
8.2	GATE SCAN START POSITION (0FH)	39
8.3	DATA ENTRY MODE SETTING (11H).....	40
8.4	SET RAM X - ADDRESS START / END POSITION (44H).....	41
8.5	SET RAM Y - ADDRESS START / END POSITION (45H).....	41
8.6	SET RAM ADDRESS COUNTER (4EH-4FH)	41
9	TYPICAL OPERATING SEQUENCE	42
9.1	NORMAL DISPLAY	42
9.2	VCOM OTP PROGRAM	43
9.3	WS OTP PROGRAM	44
10	MAXIMUM RATINGS	45
11	ELECTRICAL CHARACTERISTICS	46
12	AC CHARACTERISTICS	48
12.1	OSCILLATOR FREQUENCY.....	48
12.2	INTERFACE TIMING.....	49
12.2.1	MCU 6800-Series Parallel Interface	49
12.2.2	MCU 8080-Series Parallel Interface	50
12.2.3	Serial Peripheral Interface	51
13	APPLICATION CIRCUIT	52
14	PACKAGE INFORMATION	55
14.1	DIE TRAY DIMENSIONS	55

**TABLES**

TABLE 3-1 : ORDERING INFORMATION	6
TABLE 5-1 : MCU INTERFACE SELECTION.....	9
TABLE 6-1 : MCU INTERFACE SELECTION BY BS0 AND BS1	11
TABLE 6-2 : MCU INTERFACE ASSIGNMENT UNDER DIFFERENT BUS INTERFACE MODE.....	11
TABLE 6-3 : CONTROL PINS OF 6800 INTERFACE.....	11
TABLE 6-4 : CONTROL PINS OF 8080 INTERFACE (FORM 1).....	13
TABLE 6-5 : CONTROL PINS OF 8080 INTERFACE (FORM 2).....	13
TABLE 6-6 : CONTROL PINS OF 4-WIRE SERIAL PERIPHERAL INTERFACE.....	15
TABLE 6-7 : CONTROL PINS OF 3-WIRE SERIAL PERIPHERAL INTERFACE.....	16
TABLE 6-8 : RAM ADDRESS MAP.....	17
TABLE 7-1: COMMAND TABLE	25
TABLE 10-1: MAXIMUM RATINGS.....	45
TABLE 11-1: DC CHARACTERISTICS.....	46
TABLE 11-2: REGULATORS CHARACTERISTICS	47
TABLE 12-1: OSCILLATOR FREQUENCY	48
TABLE 12-2 : 6800-SERIES MCU PARALLEL INTERFACE TIMING CHARACTERISTICS.....	49
TABLE 12-3 : MCU 8080-SERIES PARALLEL INTERFACE TIMING CHARACTERISTICS.....	50
TABLE 12-4 : SERIAL PERIPHERAL INTERFACE TIMING CHARACTERISTICS.....	51
TABLE 13-1 : REFERENCE COMPONENT VALUE	54

FIGURES

FIGURE 4-1 : IL3820BLOCK DIAGRAM	6
FIGURE 6-1 : DATA READ BACK PROCEDURE - INSERTION OF DUMMY READ.....	12
FIGURE 6-2 : EXAMPLE OF WRITE PROCEDURE IN 8080 PARALLEL INTERFACE MODE	12
FIGURE 6-3 : EXAMPLE OF READ PROCEDURE IN 8080 PARALLEL INTERFACE MODE	13
FIGURE 6-4 : DISPLAY DATA READ BACK PROCEDURE - INSERTION OF DUMMY READ.....	14
FIGURE 6-5 : WRITE PROCEDURE IN 4-WIRE SERIAL PERIPHERAL INTERFACE MODE	15
FIGURE 6-6 : WRITE PROCEDURE IN 3-WIRE SERIAL PERIPHERAL INTERFACE MODE	16
FIGURE 6-7 : INPUT AND OUTPUT VOLTAGE RELATION CHART	18
FIGURE 6-8 : VPIXEL DEFINITION.....	19
FIGURE 6-9 : THE RELATION OF VPIXEL WAVEFORM WITH GATE AND SOURCE	19
FIGURE 6-10 : PROGRAMMABLE SOURCE AND GATE WAVEFORM ILLUSTRATION	20
FIGURE 6-11 : VS[N-XY] AND TP[N] MAPPING IN LUT	21
FIGURE 6-12 : OTP CONTENT AND ADDRESS MAPPING	22
FIGURE 6-13 : WAVEFORM SETTING AND TEMPERATURE RANGE # MAPPING.....	23
FIGURE 8-1: OUTPUT PIN ASSIGNMENT ON DIFFERENT SCAN MODE SETTING	38
FIGURE 8-2: EXAMPLE OF SET DISPLAY START LINE WITH NO REMAPPING.....	39
FIGURE 12-1 : MCU 6800-SERIES PARALLEL INTERFACE CHARACTERISTICS	49
FIGURE 12-2 : 8080-SERIES PARALLEL INTERFACE CHARACTERISTICS (FORM 1)	50
FIGURE 12-3 : 8080-SERIES PARALLEL INTERFACE CHARACTERISTICS (FORM 2)	50
FIGURE 12-4 : SERIAL PERIPHERAL INTERFACE CHARACTERISTICS.....	51
FIGURE 13-1 : BOOSTER CONNECTION DIAGRAM.....	52
FIGURE 13-2 : TYPICAL APPLICATION DIAGRAM WITH SPI INTERFACE	53
FIGURE 14-1 IL3820C0 DIE TRAY INFORMATION.....	55



1 GENERAL DESCRIPTION

The IL3820 is a CMOS active matrix bistable display driver with controller. It consists of 240 source outputs, 320 gate outputs, 1 VCOM and 1 VBD for border that can support a maximum display resolution 240x320 for single chip application. In addition, the IL3820 has a cascade mode that can support higher display resolution.

The IL3820 embeds booster, regulators and oscillator. Data/Commands are sent from general MCU through the hardware selectable 6800-/8080-series compatible Parallel Interface or Serial Peripheral Interface.

2 FEATURES

- Design for dot matrix type active matrix EPD display
- Resolution: 240 source outputs; 320 gate outputs; 1 VCOM; 1VBD for border
- Power supply
 - VCI: 2.4 to 3.7V
 - VDDIO: Connect to VCI
 - VDD: 1.8V, regulate from VCI supply
- Gate driving output voltage:
 - 2 levels output (VGH, VGL)
 - Max 42Vp-p
 - VGH: 15V to 22V;
 - VGL: -20V to -15V
 - Voltage adjustment in steps of 500mV.
- Source / VBD driving output voltage:
 - 3 levels output (VSH, VSS, VSL)
 - VSH: 10V to 17V
 - VSL: -10V to -17V
 - Voltage adjustment in steps of 500mV
- VCOM output voltage
 - -4V to -0.2V in 20mV resolution
 - 8 bits Non-volatile memory (OTP) for VCOM adjustment
- Source and gate scan direction control
- Low current deep sleep mode
- On chip display RAM with double display buffer [240x320 / 8 * 2 = 19200Byte]
- Waveform settings can be programmed and stored in On-chip OTP
- Programmable output waveform allowing flexibility for different applications / environments.
- Built in VCOM sensing
- On-chip oscillator.
- On-chip booster and regulator control for generating VCOM, Gate and Source driving voltage.
- Cascade mode to support higher display resolution.
- I2C Single Master Interface to read external temperature sensor reading
- 8-bits Parallel (6800 & 8080), Serial peripheral interface available
- Available in COG package



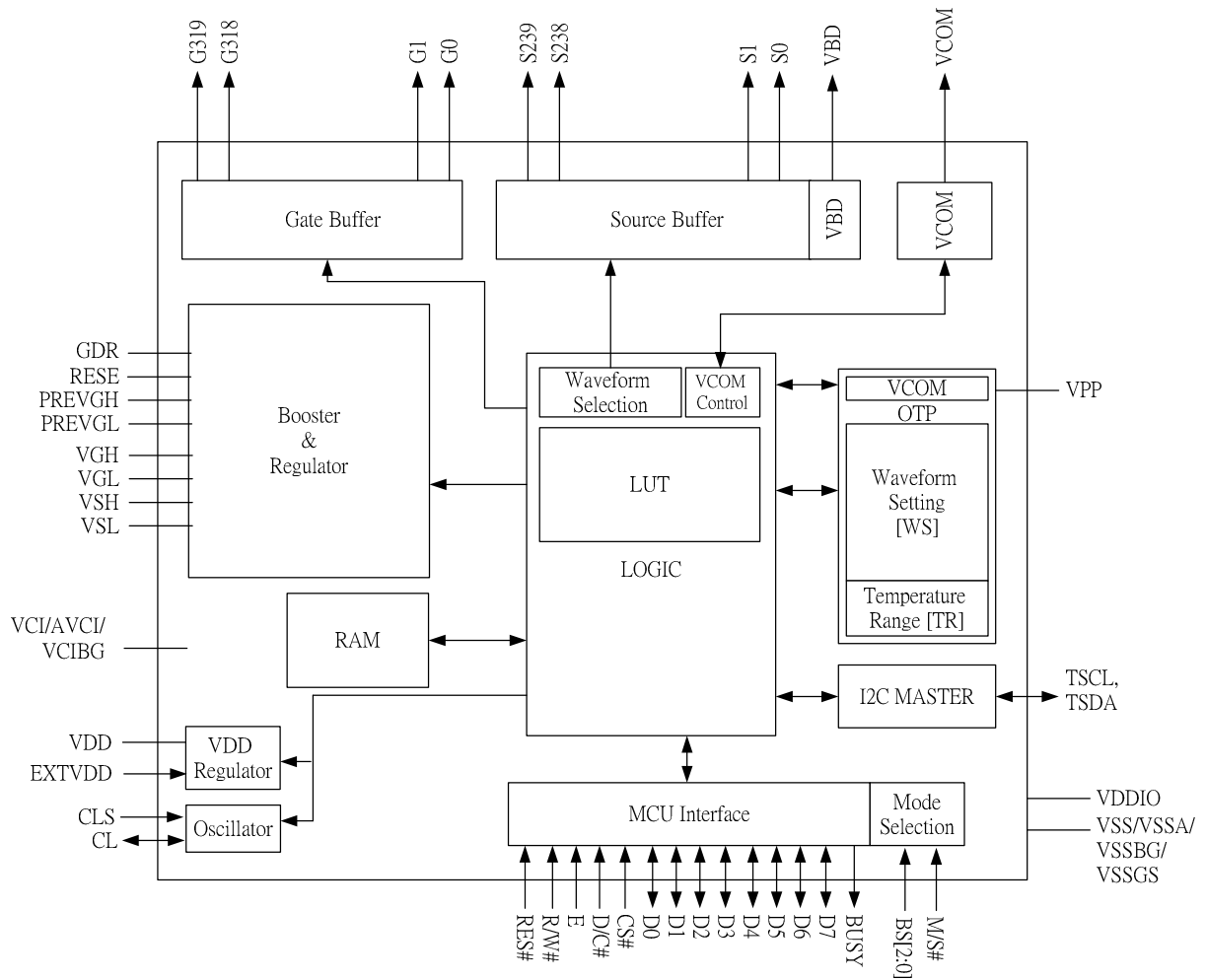
3 ORDERING INFORMATION

Table 3-1 : Ordering Information

Ordering Part Number	Package Form	Remark
IL3820C	Gold bump die	Bump Face Up On Waffle pack Die thickness: 300um Bump height: 12um
IL3820C0	Gold bump die	Bump Face Down On Waffle pack Die thickness: 300um Bump height: 12um

4 BLOCK DIAGRAM

Figure 4-1: IL3820 Block Diagram





5 PIN DESCRIPTION

Key: I = Input, O =Output, IO = Bi-directional (input/output), P = Power pin, C = Capacitor Pin
 NC = Not Connected, Pull L =connect to V_{SS}, Pull H = connect to V_{DDIO}

Pin name	Type	Connect to	Function	Description	When not in use
Input power					
VCI	P	Power Supply	Power Supply	Power Supply for the chip	-
VCIA	P	Power Supply	Power Supply	Power input for the chip, Connected with VCI	-
VCIBG	P	Power Supply	Power Supply	Power input for the chip (Reference), Connected with VCI	-
VDDIO	P	Power Supply	Power for interface logic pins	Power Supply for the Interface It should be connected with VCI	-
VDD	P	Capacitor	Regulator output	Core logic power pin VDD can be regulated internally from VCI. - For the single chip application, a capacitor should be connected between VDD and VSS under all circumstances. - For the cascade mode application, a capacitor should be connected between VDD and VSS in the master chip under all circumstances. For the slave chip, the capacitor is not necessary as VDD will be supplied from the cascade master chip externally.	-
EXTVDD	I	VDDIO/VSS	Regulator bypass	This pin is VDD regulator bypass pin. - For the single chip application, EXTVDD should be connected to VSS. - For the cascade mode application, EXTVDD of the master chip should be connected to VSS while EXTVDD of the slave chip should be connected to VDDIO.	-
VSS	P	VSS	GND	Ground (Digital)	-
VSSA	P	VSS	GND	Ground (Analog) It should be connected with VSS.	-
VSSBG	P	VSS	GND	Ground (Reference) Connected with VSS	-
VSSGS	P	VSS	GND	Ground (Output) Connected with VSS	-
VPP	P	Power Supply	OTP power	Power Supply for OTP Programming	Open
Digital I/O					
D [7:0]	I/O	MPU	Data Bus	These pins are bi-directional data bus connecting to the MCU data bus. SPI mode: D0: SCLK D1: SDIN	D[2] : OPEN D[7:3]: VDDIO or VSS
CS#	I	MPU	Logic Control	This pin is the chip select input connecting to the MCU. The chip is enabled for MCU communication only when CS# is pulled LOW in parallel interface.	VDDIO or VSS



Pin name	Type	Connect to	Function	Description	When not in use
R/W# (WR#)	I	MPU		<p>This pin is read / write control input pin connecting to the MCU interface.</p> <p>When 6800 interface mode is selected, this pin will be used as Read/Write (R/W#) selection input. Read mode will be carried out when this pin is pulled HIGH and write mode when LOW.</p> <p>When 8080 interface mode is selected, this pin will be the Write (WR#) input. Data write operation is initiated when this pin is pulled LOW and the chip is selected.</p> <p>When serial interface is selected, this pin R/W (WR#) can be connected to either VDDIO or VSS.</p>	VDDIO or VSS
D/C#	I	MPU		<p>This pin is Data/Command control pin connecting to the MCU.</p> <p>When the pin is pulled HIGH, the data at D [7:0] will be interpreted as data.</p> <p>When the pin is pulled LOW, the data at D [7:0] will be interpreted as command.</p>	VDDIO or VSS
E (RD#)	I	MPU		<p>This pin is MCU interface input.</p> <p>When 6800 interface mode is selected, this pin will be used as the Enable (E) signal. Read/write operation is initiated when this pin is pulled HIGH and the chip is selected.</p> <p>When 8080 interface mode is selected, this pin receives the Read (RD#) signal. Read operation is initiated when this pin is pulled LOW and the chip is selected.</p> <p>When serial interface is selected, this pin E (RD#) should be connected to either VDDIO or VSS</p>	VDDIO or VSS
RES#	I	MPU	System Reset	<p>This pin is reset signal input.</p> <p>Active Low.</p>	-
BUSY	O	MPU	Device Busy Signal	<p>This pin is Busy state output pin</p> <p>When Busy is High, the operation of the chip should not be interrupted, command should not be sent.</p> <p>For example., The chip would put Busy pin High when</p> <ul style="list-style-type: none"> - Outputting display waveform; or - Programming with OTP - Communicating with digital temperature sensor <p>In the cascade mode, the BUSY pin of the slave chip should be left open.</p>	Open
CLS	I	VDDIO/VSS	Clock Mode Selection	<p>This pin is internal clock enable pin.</p> <ul style="list-style-type: none"> - For the single chip application, the CLS pin should be connected to VDDIO. - For the cascade mode application, the CLS pin of the master chip should be connected to VDDIO. The CLS pin of the slave chip should be connected to VSS to disable the internal clock as its CL pin should be connected to the CL pin of the master chip. 	-
M/S#	I	VDDIO/VSS	Cascade Mode Selection	<p>This pin is Master and Slave selection pin.</p> <ul style="list-style-type: none"> - For the single chip application, the M/S# pin should be connected to VDDIO. - In the cascade mode: For Master Chip, the M/S# pin should be connected to VDDIO. For Slave Chip, the M/S# pin should be connected to VSS. <p>The oscillator and the booster & regulator circuits of the slave chip will be disabled. The corresponding pins including CL, VDD, VDDIO, PREVGH, PREVGL, VSH, VSL, VGH, VGL and VCOM must be connected to the master chip.</p>	



Pin name	Type	Connect to	Function	Description	When not in use															
CL	I/O	NC	Clock signal	<p>This is the clock signal pin.</p> <p>When CLS is connected to VDDIO, the internal clock is enabled. The clock signal will be detected at CL. Leave the CL pin open when internal clock is enabled and used.</p> <p>When CLS is connected to VSS, the internal clock is disabled. An external clock is fed in the CL pin.</p> <p>In the cascade mode, the CL pin of the slave chip should be connected to the CL pin of the master chip.</p>																
BS [2:0]	I	VDDIO/VSS	MCU Interface Mode Selection	<p>These pins are for selecting different bus interface. BS2 should be connected to VSS.</p> <p>Table 5-1 : MCU interface selection</p> <table border="1"> <thead> <tr> <th>BS1</th> <th>BS0</th> <th>MPU Interface</th> </tr> </thead> <tbody> <tr> <td>L</td> <td>L</td> <td>4-lines serial peripheral interface (SPI)</td> </tr> <tr> <td>L</td> <td>H</td> <td>8-bit 8080 parallel interface</td> </tr> <tr> <td>H</td> <td>L</td> <td>3-lines serial peripheral interface (SPI) – 9 bits SPI</td> </tr> <tr> <td>H</td> <td>H</td> <td>8-bit 6800 parallel interface</td> </tr> </tbody> </table>	BS1	BS0	MPU Interface	L	L	4-lines serial peripheral interface (SPI)	L	H	8-bit 8080 parallel interface	H	L	3-lines serial peripheral interface (SPI) – 9 bits SPI	H	H	8-bit 6800 parallel interface	-
BS1	BS0	MPU Interface																		
L	L	4-lines serial peripheral interface (SPI)																		
L	H	8-bit 8080 parallel interface																		
H	L	3-lines serial peripheral interface (SPI) – 9 bits SPI																		
H	H	8-bit 6800 parallel interface																		
TSDA	I/O	Temperature sensor SDA	Interface to Digital Temperature Sensor	<p>This pin is I²C Interface to digital temperature sensor Data pin</p> <p>External pull up resistor is required when connecting to I²C slave</p>	Open															
TSCL	O	Temperature sensor SCL	Interface to Digital Temperature Sensor	<p>This pin is I²C Interface to digital temperature sensor Clock pin</p> <p>External pull up resistor is required when connecting to I²C slave</p>	Open															
Analog Pin																				
GDR	O	POWER MOSFET Driver Control	PREVGH & PREVGL Generation	<p>This pin is N-Channel MOSFET Gate Drive Control.</p> <p>In the cascade mode, the GDR pin of the slave chip should be left open.</p>	-															
RESE	I	Booster Control Input		<p>This pin is the Current Sense Input for the Control Loop</p> <p>In the cascade mode, the RESE pin of the slave chip should be left open.</p>	-															
FB	I	NC		Keep open.	Open															
PREVGH	C	Stabilizing capacitor		<p>This pin is the Power Supply pin for VGH and VSH.</p> <p>A stabilizing capacitor should be connected between PREVGH and VSS.</p>	-															
PREVGL	C	Stabilizing capacitor		<p>This pin is the Power Supply pin for VCOM, VGL and VSL.</p> <p>A stabilizing capacitor should be connected between PREVGL and VSS.</p>	-															
VGH	C	Stabilizing capacitor	VGH, VGL Generation	<p>Positive Gate driving voltage.</p> <p>A stabilizing capacitor should be connected between VGH and VSS.</p>	-															
VGL	C	Stabilizing capacitor	VGL Generation	<p>This pin is Negative Gate driving voltage.</p> <p>A stabilizing capacitor should be connected between VGL and VSS.</p>	-															



Pin name	Type	Connect to	Function	Description	When not in use
VSH	C	Stabilizing capacitor	VSH, VSL Generation	This pin is Positive Source driving voltage. A stabilizing capacitor should be connected between VSH and VSS.	-
VSL	C	Stabilizing capacitor		This pin is Negative Source driving voltage. A stabilizing capacitor should be connected between VSL and VSS.	-
VCOM	C	Panel/ Stabilizing capacitor	VCOM	This pin is VCOM driving voltage. A stabilizing capacitor should be connected between VCOM and VSS.	-
Panel Driving					
S [239:0]	O	Panel	Source driving signal	Source output pin	Open
G [319:0]	O	Panel	Gate driving signal	Gate output pin	Open
VBD	O	Panel	Border driving signal	Border output pin	Open
Others					
NC	NC	NC	Not Connected	Keep open. Don't connect with other NC pins	Open
TPA	NC	NC	Reserved for Testing	Keep open. Don't connect to NC pin or other test pins including TPA, TPB, TPC, TPD and TPE.	Open
TPB	NC	NC	Reserved for Testing	Keep open. Don't connect to NC pin or other test pins including TPA, TPB, TPC, TPD and TPE.	Open
TPC	NC	NC	Reserved for Testing	Keep open. Don't connect to NC pin or other test pins including TPA, TPB, TPC, TPD and TPE.	Open
TPD	NC	NC	Reserved for Testing	Keep open. Don't connect to NC pin or other test pins including TPA, TPB, TPC, TPD and TPE.	Open
TIN	I	NC	Reserved for Testing	Connect to TPE pin.	
TPE	O	NC	Reserved for Testing	Connect to TIN pin.	



6 FUNCTIONAL BLOCK DESCRIPTION

The device can drive an active matrix TFT EPD panel. It composes of 240 source outputs, 320 gate outputs, 1 VBD and 1 VCOM. It contains flexible built-in waveforms to drive the EPD panel.

6.1 MCU Interface

6.1.1 MCU Interface selection

The IL3820 can support 6800-series/8080-series parallel interface and 3-wire/4-wire serial peripheral Interface. In the IL3820, the MCU interface is pin selectable by BS0 and BS1 pins shown in Table 6-1.

Table 6-1 : MCU interface selection by BS0 and BS1

BS1	BS0	MPU Interface
L	L	4-lines serial peripheral interface (SPI)
L	H	8-bit 8080 parallel interface
H	L	3-lines serial peripheral interface (SPI) – 9 bits SPI
H	H	8-bit 6800 parallel interface

The MCU interface consists of 8 data pins and 5 control pins. The pin assignment at different interface mode is summarized in Table 6-2.

Table 6-2 : MCU interface assignment under different bus interface mode

Pin Name	Data/Command Interface								Control Signal				
	D7	D6	D5	D4	D3	D2	D1	D0	E (RD#)	R/W# (WR#)	CS#	D/C#	RES#
SPI4	L					NC	SDin	SCLK	L	L	CS#	D/C#	RES#
8-bit 8080	D [7:0]								RD#	WR#	CS#	D/C#	RES#
SPI3	L					NC	SDin	SCLK	L	L	CS#	L	RES#
8-bit 6800	D [7:0]								E	R/W#	CS#	D/C#	RES#

Note

- (1) L is connected to V_{SS}
- (2) H is connected to V_{DDIO}

6.1.2 MCU 6800-series Parallel Interface

The parallel interface consists of 8 bi-directional data pins (D[7:0]), R/W#, D/C#, E and CS#. A LOW in R/W# indicates WRITE operation and HIGH in R/W# indicates READ operation. A LOW in D/C# indicates COMMAND read/write and HIGH in D/C# indicates DATA read/write. The E input serves as data latch signal while CS# is LOW. Data is latched at the falling edge of E signal.

Table 6-3 : Control pins of 6800 interface

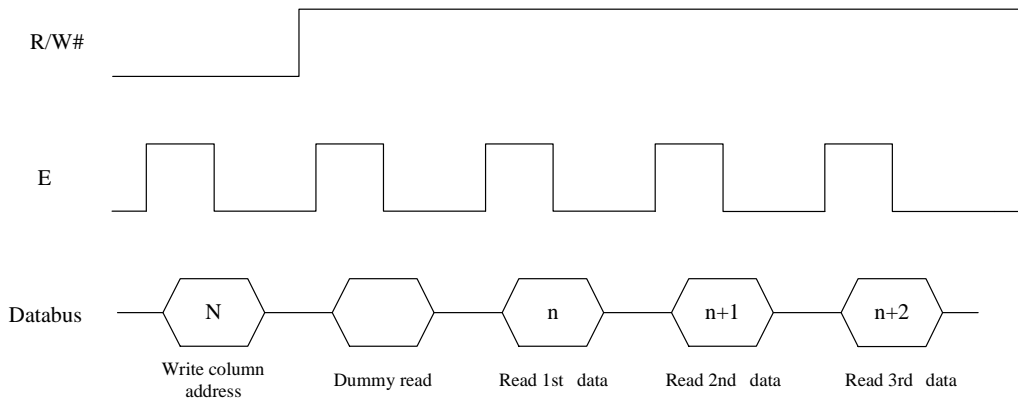
Function	E	R/W#	CS#	D/C#
Write command	↓	L	L	L
Read status	↓	H	L	L
Write data	↓	L	L	H
Read data	↓	H	L	H

Note: ↓ stands for falling edge of signal

In order to match the operating frequency of display RAM with that of the microprocessor, some pipeline processing is internally performed which requires the insertion of a dummy read before the first actual display data read. This is shown in Figure 6-1.



Figure 6-1 : Data read back procedure - insertion of dummy read



6.1.3 MCU 8080-series Parallel Interface

The parallel interface consists of 8 bi-directional data pins (D[7:0]), RD#, WR#, D/C# and CS#.

A LOW in D/C# indicates COMMAND read/write and HIGH in D/C# indicates DATA read/write.

A rising edge of RD# input serves as a data READ latch signal while CS# is kept LOW.

A rising edge of WR# input serves as a data/command WRITE latch signal while CS# is kept LOW.

Figure 6-2 : Example of Write procedure in 8080 parallel interface mode

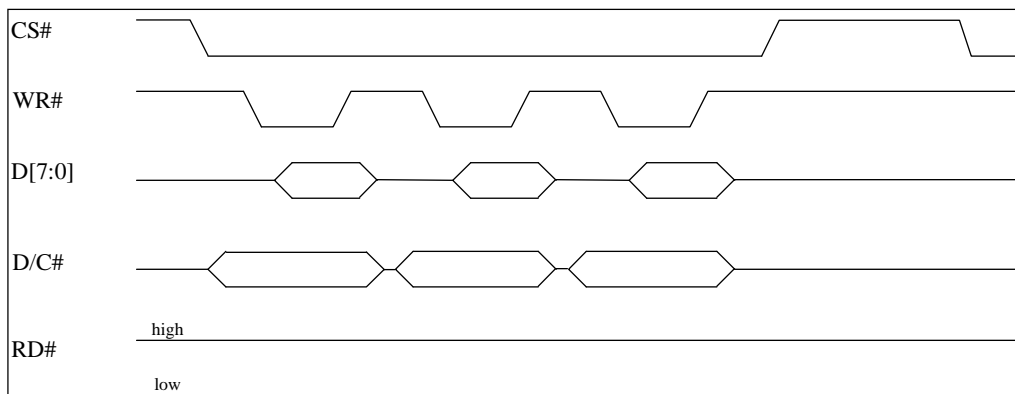




Figure 6-3 : Example of Read procedure in 8080 parallel interface mode

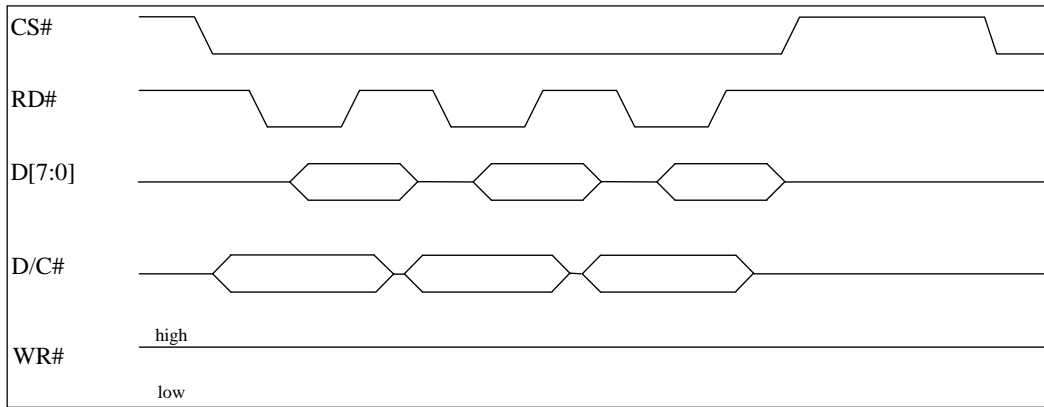


Table 6-4 : Control pins of 8080 interface (Form 1)

Function	RD#	WR#	CS#	D/C#
Write command	H	↑	L	L
Read status	↑	H	L	L
Write data	H	↑	L	H
Read data	↑	H	L	H

Note

- (1) ↑ stands for rising edge of signal
- (2) Refer to Figure 12-2 for Form 1 8080-Series MPU Parallel Interface Timing Characteristics

Alternatively, RD# and WR# can be keep stable while CS# serves as the data/command latch signal.

Table 6-5 : Control pins of 8080 interface (Form 2)

Function	RD#	WR#	CS#	D/C#
Write command	H	L	↑	L
Read status	L	H	↑	L
Write data	H	L	↑	H
Read data	L	H	↑	H

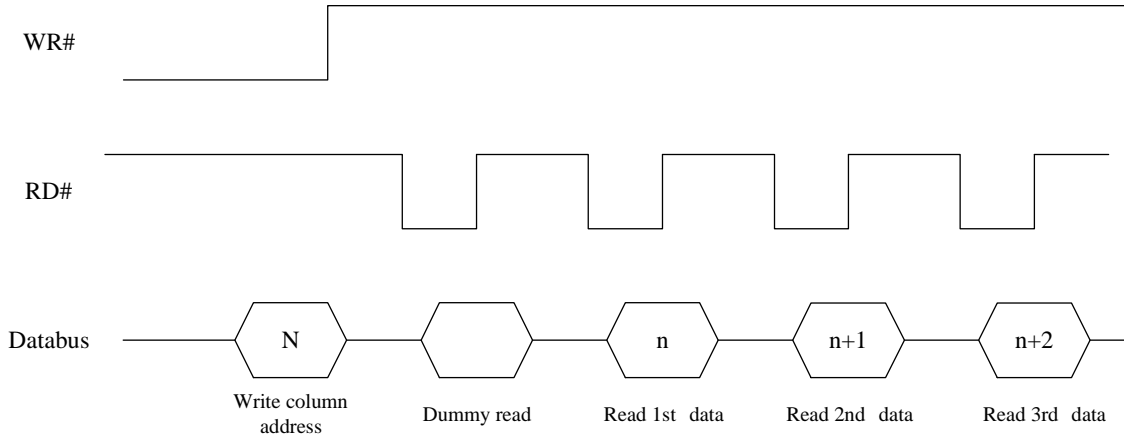
Note

- (1) ↑ stands for rising edge of signal
- (2) Refer to Figure 12-3 for Form 2 8080-Series MPU Parallel Interface Timing Characteristics



In order to match the operating frequency of display RAM with that of the microprocessor, some pipeline processing is internally performed which requires the insertion of a dummy read before the first actual display data read. This is shown in Figure 6-4.

Figure 6-4 : Display data read back procedure - insertion of dummy read





6.1.4 MCU Serial Peripheral Interface (4-wire SPI)

The serial interface consists of serial clock SCLK, serial data SDIN, D/C#, CS#. In SPI mode, D0 acts as SCLK, D1 acts as SDIN. For the unused data pins, D2 should be left open. The pins from D3 to D7, E and R/W# can be connected to an external ground.

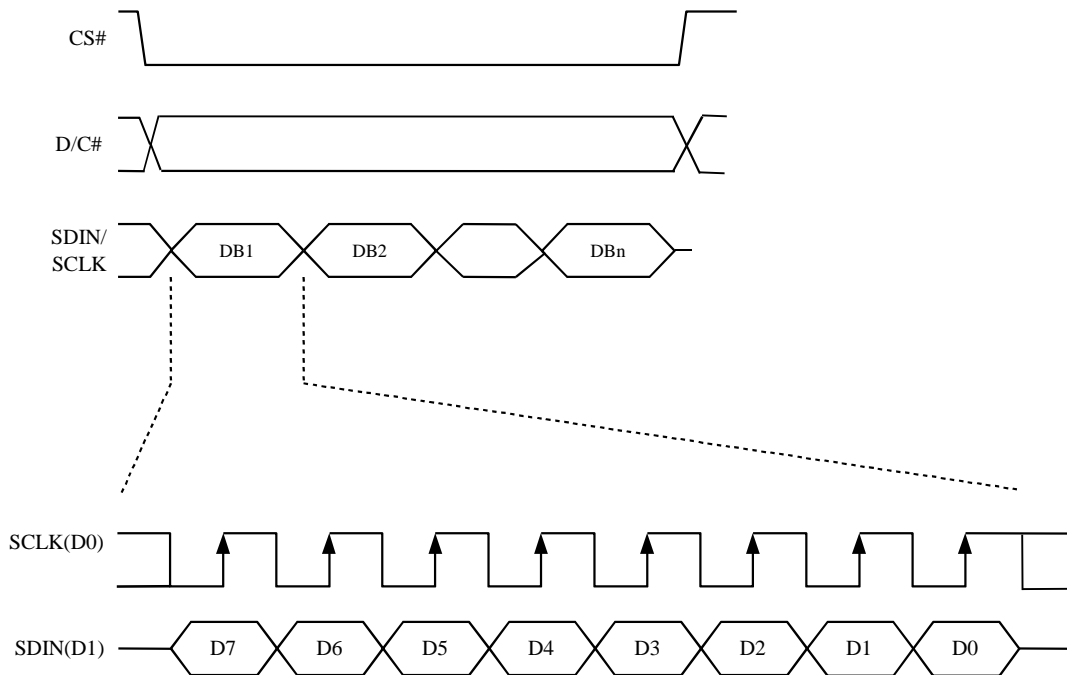
Table 6-6 : Control pins of 4-wire Serial Peripheral interface

Function	E(RD#)	R/W#(WR#)	CS#	D/C#	SCLK
Write command	Tie LOW	Tie LOW	L	L	↑
Write data	Tie LOW	Tie LOW	L	H	↑

Note: ↑ stands for rising edge of signal

SDIN is shifted into an 8-bit shift register in the order of D7, D6, ... D0. The data byte in the shift register is written to the Graphic Display Data RAM (RAM) or command register in the same clock. Under serial mode, only write operations are allowed.

Figure 6-5 : Write procedure in 4-wire Serial Peripheral Interface mode





6.1.5 MCU Serial Peripheral Interface (3-wire SPI)

The 3-wire serial interface consists of serial clock SCLK, serial data SDIN and CS#.

In 3-wire SPI mode, D0 acts as SCLK, D1 acts as SDIN. For the unused data pins, D2 should be left open. The pins from D3 to D7, R/W# (WR#)#, E and D/C# can be connected to an external ground.

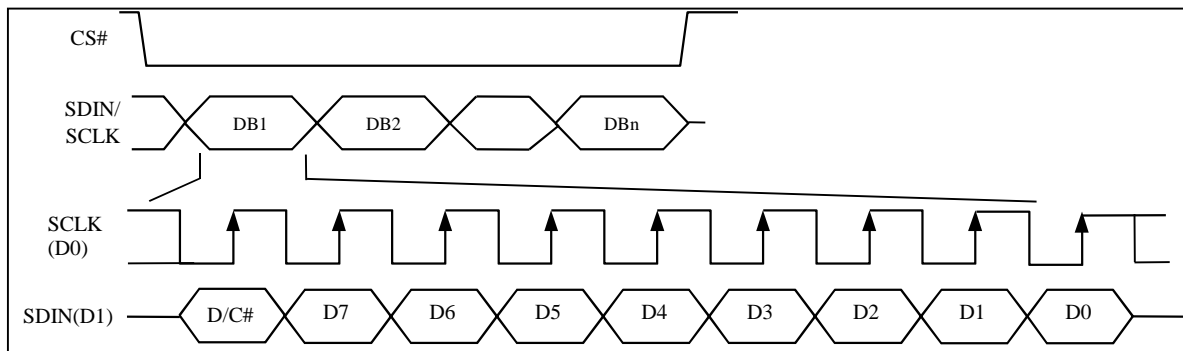
The operation is similar to 4-wire serial interface while D/C# pin is not used. There are altogether 9-bits will be shifted into the shift register in sequence: D/C# bit, D7 to D0 bit. The D/C# bit (first bit of the sequential data) will determine the following data byte in the shift register is written to the Display Data RAM (D/C# bit = 1) or the command register (D/C# bit = 0). Under serial mode, only write operations are allowed.

Table 6-7 : Control pins of 3-wire Serial Peripheral interface

Function	E(RD#)	R/W#(WR#)	CS#	D/C#	SCLK
Write command	Tie LOW	Tie LOW	L	Tie LOW	↑
Write data	Tie LOW	Tie LOW	L	Tie LOW	↑

Note: ↑ stands for rising edge of signal

Figure 6-6 : Write procedure in 3-wire Serial Peripheral Interface mode





6.2 RAM

The On chip display RAM is holding the image data. 1 set of RAM is built for historical data and the other set is built for the current image data. The size of each RAM is 240x320 bits.

Table 6-8 shows the RAM map under the following condition:

- Command “Data Entry Mode” R11h is set to:

Address Counter update in X direction	AM=0
X: Increment	ID[1:0] =11
Y: Increment	

- Command “Driver Output Control” R01h is set to

320 Mux	MUX = 13Fh
Select G0 as 1 st gate	GD = 0
Left and Right gate Interlaced	SM = 0
Scan From G0 to G319	TB = 0

- Command “Gate Start Position” R0Fh is set to:

Set the Start Position of Gate = G0	SCN=0
-------------------------------------	-------

- Data byte sequence: DB0, DB1, DB2 ... DB9599

Table 6-8 : RAM address map

		S0	S1	S2	S3	S4	S5	S6	S7	S232	S233	S234	S235	S236	S237	S238	S239			
		00h										1Dh										
G0	00h	DB0 [7]	DB0 [6]	DB0 [5]	DB0 [4]	DB0 [3]	DB0 [2]	DB0 [1]	DB0 [0]	DB29 [7]	DB29 [6]	DB29 [5]	DB29 [4]	DB29 [3]	DB29 [2]	DB29 [1]	DB29 [0]			
G1	01h	DB30 [7]	DB30 [6]	DB30 [5]	DB30 [4]	DB30 [3]	DB30 [2]	DB30 [1]	DB30 [0]	DB59 [7]	DB59 [6]	DB59 [5]	DB59 [4]	DB59 [3]	DB59 [2]	DB59 [1]	DB59 [0]			
...		
...		
G318	13Eh	DB9540 [7]	DB9540 [6]	DB9540 [5]	DB9540 [4]	DB9540 [3]	DB9540 [2]	DB9540 [1]	DB9540 [0]	DB9569 [7]	DB9569 [6]	DB9569 [5]	DB9569 [4]	DB9569 [3]	DB9569 [2]	DB9569 [1]	DB9569 [0]			
G319	13Fh	DB9570 [7]	DB9570 [6]	DB9570 [5]	DB9570 [4]	DB9570 [3]	DB9570 [2]	DB9570 [1]	DB9570 [0]	DB9599 [7]	DB9599 [6]	DB9599 [5]	DB9599 [4]	DB9599 [3]	DB9599 [2]	DB9599 [1]	DB9599 [0]			

GATE

Y-ADDR

Source
X-
ADDR

6.3 Oscillator

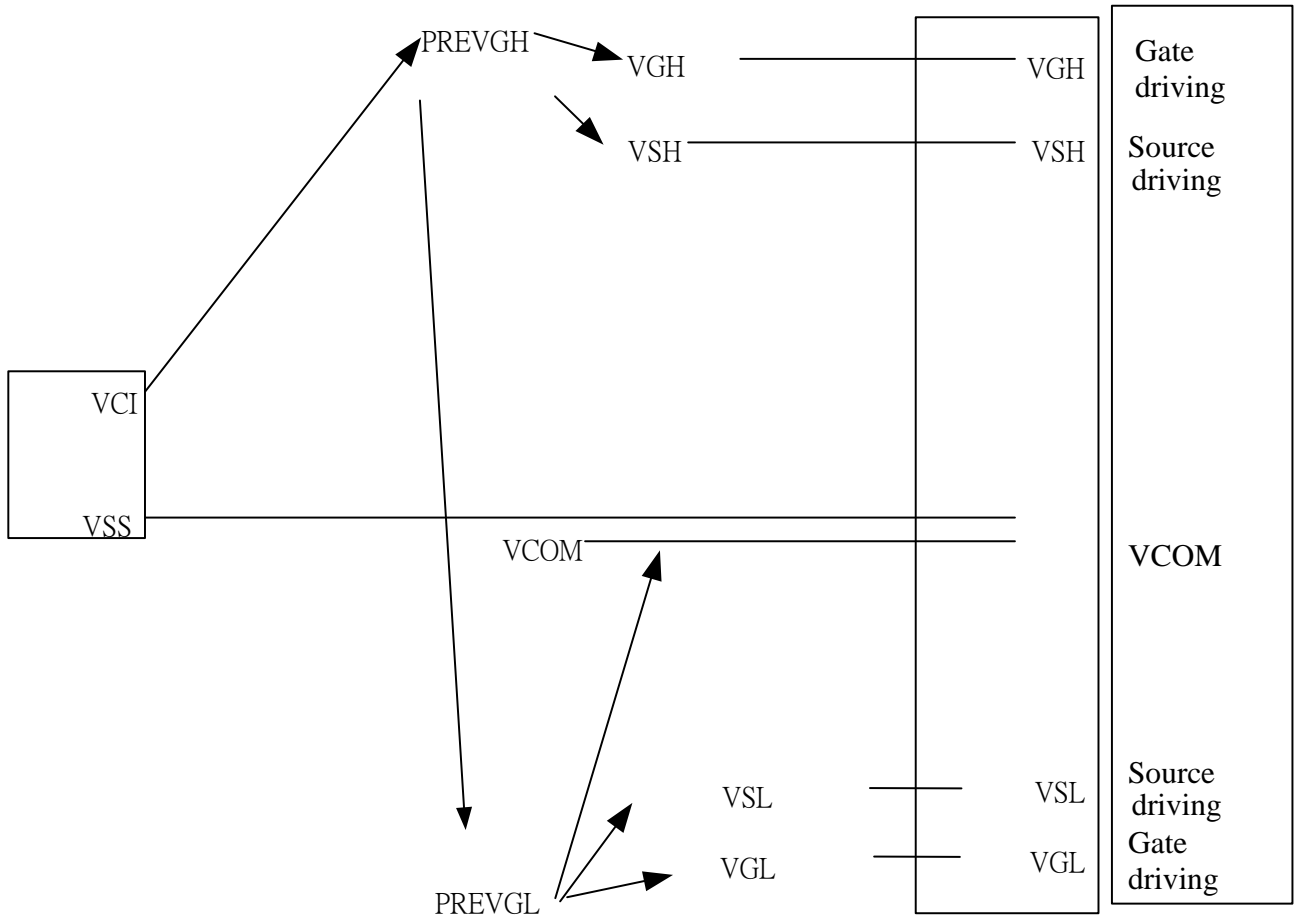
The on-chip oscillator is included for the use on waveform timing and Booster operations. In order to enable the internal oscillator, the CLS pin must be connected to VDDIO.



6.4 Booster & Regulator

A voltage generation system is included in the IL3820. It provides all necessary driving voltages required for an AMEPD panel including VGH, VGL, VSH, VSL and VCOM. Figure 6-7 shows the relation of the voltages. External application circuit is needed to make the on-chip booster & regulator circuit work properly.

Figure 6-7 : Input and output voltage relation chart



- Max voltage difference between VGH and VGL is 42V.



6.5 Panel Driving Waveform

The Vpixel is defined as Figure 6-8, and its relations with GATE, SOURCE are shown in Figure 6-9.

Figure 6-8 : Vpixel Definition

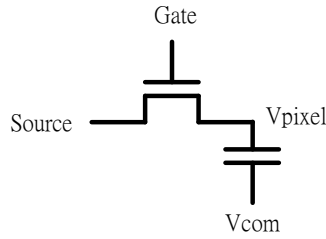
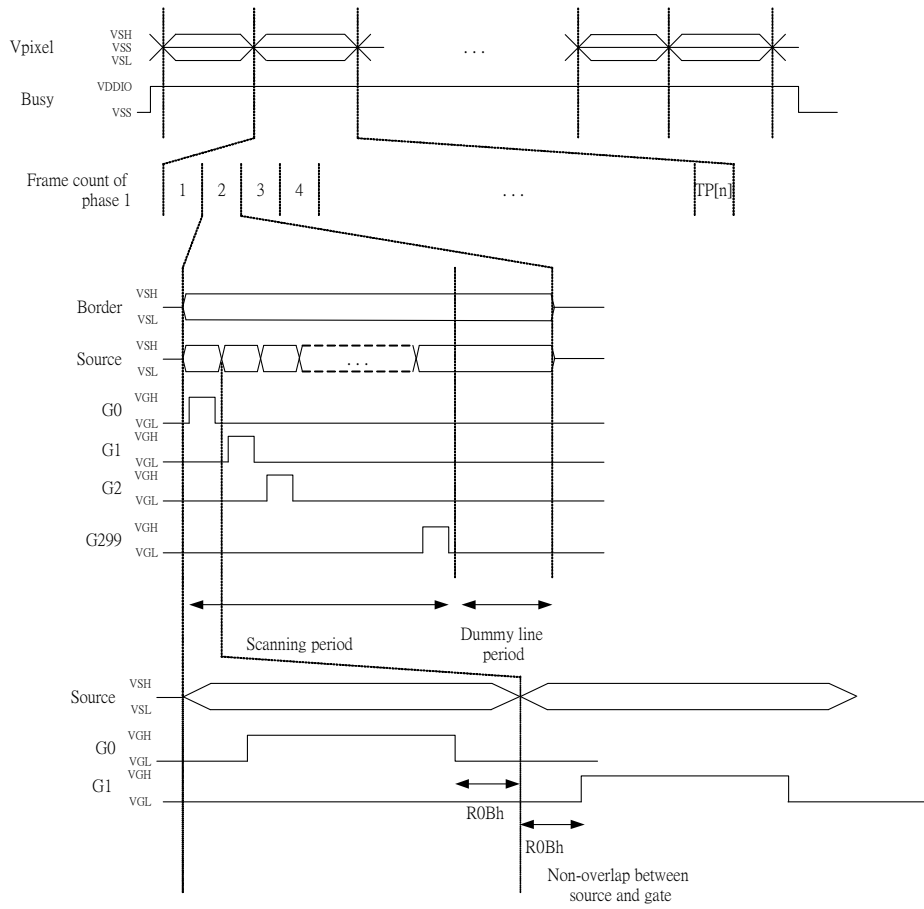


Figure 6-9 : The Relation of Vpixel Waveform with Gate and Source



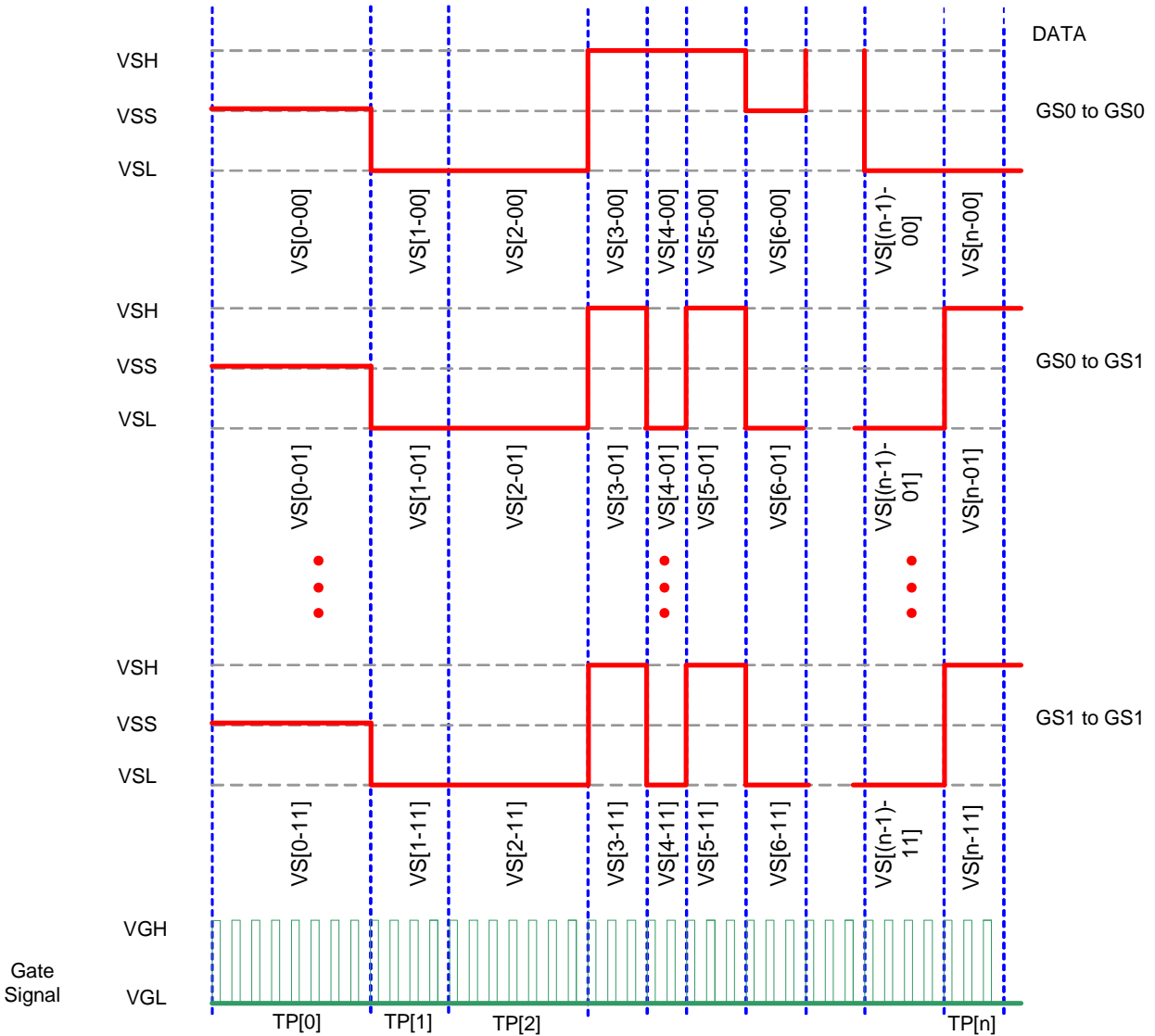


6.6 VCOM Sensing

This functional block provides the scheme to select the optimal VCOM DC level and programmed the setting into OTP.

6.7 Gate and Programmable Source waveform

Figure 6-10 : Programmable Source and Gate waveform illustration



- There are totally 20 phases for programmable Source waveform of different phase length.
- The phase period defined as $TP[n] * T_{FRAME}$, where $TP[n]$ range from 0 to 15.
- $TP[n] = 0$ indicates phase skipped
- Source Voltage Level: $VS[n-XY]$ is constant in each phase
- $VS[n-XY]$ indicates the voltage in phase n for transition from GS X to GS Y
 - 00 – VSS
 - 01 – VSH
 - 10 – VSL
 - 11 – NA
- $VS[n-XY]$ and $TP[n]$ are stored in waveform lookup table register [LUT].



6.8 Waveform Look Up Table (LUT)

LUT contains 256 bits, which defines the display driving waveform settings. They are arranged in format shown in Figure 6-11.

Figure 6-11 : VS[n-XY] and TP[n] mapping in LUT

in Decimal	D7	D6	D5	D4	D3	D2	D1	D0
0	VS[0-11]		VS[0-10]		VS[0-01]		VS[0-00]	
1	VS[1-11]		VS[1-10]		VS[1-01]		VS[1-00]	
2	VS[2-11]		VS[2-10]		VS[2-01]		VS[2-00]	
3	VS[3-11]		VS[3-10]		VS[3-01]		VS[3-00]	
4	VS[4-11]		VS[4-10]		VS[4-01]		VS[4-00]	
5	VS[5-11]		VS[5-10]		VS[5-01]		VS[5-00]	
6	VS[6-11]		VS[6-10]		VS[6-01]		VS[6-00]	
7	VS[7-11]		VS[7-10]		VS[7-01]		VS[7-00]	
...	
16	VS[16-11]		VS[16-10]		VS[16-01]		VS[16-00]	
17	VS[17-11]		VS[17-10]		VS[17-01]		VS[17-00]	
18	VS[18-11]		VS[18-10]		VS[18-01]		VS[18-00]	
19	VS[19-11]		VS[19-10]		VS[19-01]		VS[19-00]	
20	TP[1]				TP[0]			
21	TP[3]				TP[2]			
...			
29	TP[19]				TP[18]			
30	VSH/VSL							
31								

6.9 OTP

The OTP is the non-volatile memory and is used to store the information of OTP Selection Option, VCOM value, 7 sets of WAVEFORM SETTING (WS) [256bits x 7] and 6 sets of TEMPERATURE RANGE (TR) [24bits x 6].

The OTP is the non-volatile memory and stored the information of:

- OTP Selection Option
- VCOM value
- Source value
- 7 set of WAVEFORM SETTING (WS) [256bits x 7]
- 6set of TEMPERATURE RANGE (TR) [24bits x 6]

For Programming the WS and TR, Write RAM is required, and the configurations should be

Command: Data Entry mode	C11, D03	Set Address automatic increment setting = X increment and Y increment Set Address counter update in X direction
Command: X RAM address start /end	C44, D00, D1D	Set RAM Address for S0 to S239
Command: Y RAM address start /end	C45, D00, D13F	Set RAM Address for G0 to G319
Command: RAM X address counter	C4E, D00	Set RAM X AC as 0
Command: RAM Y address counter	C4F, D000	Set RAM Y AC as 0



The mapping table of OTP is shown in below figure,

Figure 6-12 : OTP Content and Address Mapping

Default OTP ADDRESS	SPARE OTP ADDRESS	WRITE RAM ADDRESS		D7	D6	D5	D4	D3	D2	D1	D0
		X	Y								
0	256	0	0	VS[0-11]	VS[0-10]	VS[0-01]	VS[0-00]				
1	257	1	0	VS[1-11]	VS[1-10]	VS[1-01]	VS[1-00]				
2	258	2	0	VS[2-11]	VS[2-10]	VS[2-01]	VS[2-00]				
3	259	3	0	VS[3-11]	VS[3-10]	VS[3-01]	VS[3-00]				
4	260	4	0	VS[4-11]	VS[4-10]	VS[4-01]	VS[4-00]				
							
18	274	18	0	VS[18-11]	VS[18-10]	VS[18-01]	VS[18-00]				
19	275	19	0	VS[19-11]	VS[19-10]	VS[19-01]	VS[19-00]				
20	276	20	0		TP[1]				TP[0]		
21	277	21	0		TP[3]				TP[2]		
						
29	285	4	1		TP[19]				TP[18]		
30	286	5	1		Dummy				VSH/VSL		
31	287	6	1								DUMMY
32	288	7	1								WS[1]
											...
192	448	17	7								WS[6]
											...
223	479	23	8								TEMP[1L][11:0]
224	480	24	8								TEMP[1-H][11:0]
225	481	0	9								TEMP[2L][11:0]
226	482	1	9								TEMP[2-H][11:0]
227	483	2	9								TEMP[3L][11:0]
228	484	3	9								TEMP[3-H][11:0]
229	485	4	9								TEMP[4L][11:0]
											...
236	492	11	9								TEMP[5L][11:0]
237	493	12	9								TEMP[5-H][11:0]
238	494	13	9								TEMP[6L][11:0]
239	495	14	9								TEMP[6-H][11:0]
240	496	15	9								TEMP[7L][11:0]
241	497	16	9								TEMP[7-H][11:0]

Remark:

- WS [m] means the waveform setting of temperature set m, the configuration are same as the definition in LUT. The corresponding low temperature range of WS[m] defined as TEMP [m-L] and high range defined as TEMP [m-H]
- Load WS [m] from OTP for LUT if Temp [m-L] < Temperature Register <= Temp [m-H]



6.9.1 Temperature Searching Mechanism

Legend:

WS#	Waveform Setting no. #
TR#	Temperature Range no. #
LUT	720 bit register storing the waveform setting (volatile)
Temperature register	12bit Register storing reading from temperature sensor (volatile)
OTP	A non-volatile storing 7 sets of waveform setting and 6 set of temperature range
WS_sel_address	an address pointer indicating the selected WS#

Figure 6-13 : Waveform Setting and Temperature Range # mapping

OTP (non-volatile)

WS0	
WS1	TR1
WS2	TR2
WS3	TR3
WS4	TR4
WS5	TR5
WS6	TR6

IC implementation requirement	
1	Default selection is WS0
2	Compare temperature register from TR1 to TR6 , in sequence. The last match will be recorded i.e. If the temperature register fall in both TR3 and TR5. WS5 will be selected
3	If none of the range TR1 to TR6 is match, WS0 will be selected.
User application	
1	The default waveform should be programmed as WS0
2	There is no restriction on the sequence of TR1, TR2.... TR6.



6.10 External Temperature Sensor I2C Single Master Interface

The chip provides two I/O lines [TSDA and TSCL] for connecting digital temperature sensor for temperature reading sensing.

TSDA will treat as SDA line and TSCL will treat as SCL line. They are required connecting with external pull-up resistor.

1. If the Temperature value MSByte bit D11 = 0, then

The temperature is positive and value (DegC) = + (Temperature value) / 16

2. If the Temperature value MSByte bit D11 = 1, then

The temperature is negative and value (DegC) = ~ (2's complement of Temperature value) / 16

12-bit binary (2's complement)	Hexadecimal Value	Decimal Value	Value [DegC]
0111 1111 0000	7F0	2032	127
0111 1110 1110	7EE	2030	126.875
0111 1110 0010	7E2	2018	126.125
0111 1101 0000	7D0	2000	125
0001 1001 0000	190	400	25
0000 0000 0010	002	2	0.125
0000 0000 0000	000	0	0
1111 1111 1110	FFE	-2	-0.125
1110 0111 0000	E70	-400	-25
1100 1001 0010	C92	-878	-54.875
1100 1001 0000	C90	-880	-55

6.11 Cascade Mode

The IL3820 has a cascade mode that can cascade 2 chips to achieve the display resolution up to 480 (sources) x 320 (gates). The pin M/S# is used to configure the chip. When M/S# is connected to VDDIO, the chip is configured as a master chip. When M/S# is connected to VSS, the chip is configured as a slave chip.

When the chip is configured as a master chip, it will be the same as a single chip application, ie, all circuit blocks will be worked as usual. When the chip is configured as a slave chip, its oscillator and booster & regulator circuit will be disabled. The oscillator clock and all booster voltages will be come from the master chip. Therefore, the corresponding pins including CL, VDD, PREVGH, PREVGL, VSH, VSL, VGH, VGL and VCOM must be connected to the master chip.



7 COMMAND TABLE

Table 7-1: Command Table

(D/C#=0, R/W#(WR#) = 0, E(RD#=1) unless specific setting is stated)

Command Table											Command	Description
R/W#	D/C#	Hex	D7	D6	D5	D4	D3	D2	D1	D0		
1	0	-	0	0	0	0	0	A ₂	A ₁	A ₀	Status Read	Read Driver status on <ul style="list-style-type: none"> A₂: BUSY flag A₁,A₀: Chip ID (01 as default)
0	0	01	0	0	0	0	0	0	0	1	Driver Output control	Gate setting A[8:0]: MUX setting as A[8:0] + 1 POR = 13Fh + 1 MUX B[2]: GD Selects the 1st output Gate GD=0 [POR], G0 is the 1st gate output channel, gate output sequence is G0,G1, G2, G3, ... GD=1, G1 is the 1st gate output channel, gate output sequence is G1, G0, G3, G2, ... B[1]: SM Change scanning order of gate driver. SM=0 [POR], G0, G1, G2, G3...G319 (left and right gate interlaced) SM=1, G0, G2, G4 ...G318, G1, G3, ...G319 B[0]: TB TB = 0 [POR], scan from G0 to G319 TB = 1, scan from G319 to G0.
0	1		A ₇	A ₆	A ₅	A ₄	A ₃	A ₂	A ₁	A ₀		
0	1		0	0	0	0	0	0	0	A ₈		
0	1		0	0	0	0	0	B ₂	B ₁	B ₀		
0	0	02	0	0	0	0	0	0	1	0	Reserve	



Command Table											Command	Description																																																			
R/W#	D/C#	Hex	D7	D6	D5	D4	D3	D2	D1	D0																																																					
0	0	03	0	0	0	0	0	0	1	1	Gate Driving voltage Control	Set Gate related driving voltage A[7:4]: VGH, 15 to 22V in 0.5V step A[3:0]: VGL, -15 to -20V in 0.5V step VGL default at -20V																																																			
0	1		A ₇	A ₆	A ₅	A ₄	A ₃	A ₂	A ₁	A ₀		<table border="1"> <thead> <tr> <th></th> <th>VGH</th> <th>VGL</th> </tr> </thead> <tbody> <tr><td>0000</td><td>15</td><td>-15</td></tr> <tr><td>0001</td><td>15.5</td><td>-15.5</td></tr> <tr><td>0010</td><td>16</td><td>-16</td></tr> <tr><td>0011</td><td>16.5</td><td>-16.5</td></tr> <tr><td>0100</td><td>17</td><td>-17</td></tr> <tr><td>0101</td><td>17.5</td><td>-17.5</td></tr> <tr><td>0110</td><td>18</td><td>-18</td></tr> <tr><td>0111</td><td>18.5</td><td>-18.5</td></tr> <tr><td>1000</td><td>19</td><td>-19</td></tr> <tr><td>1001</td><td>19.5</td><td>-19.5</td></tr> <tr><td>1010</td><td>20</td><td>-20 [POR]</td></tr> <tr><td>1011</td><td>20.5</td><td>NA</td></tr> <tr><td>1100</td><td>21</td><td>NA</td></tr> <tr><td>1101</td><td>21.5</td><td>NA</td></tr> <tr><td>1110</td><td>22 [POR]</td><td>NA</td></tr> <tr><td>1111</td><td>NA</td><td>NA</td></tr> </tbody> </table>		VGH	VGL	0000	15	-15	0001	15.5	-15.5	0010	16	-16	0011	16.5	-16.5	0100	17	-17	0101	17.5	-17.5	0110	18	-18	0111	18.5	-18.5	1000	19	-19	1001	19.5	-19.5	1010	20	-20 [POR]	1011	20.5	NA	1100	21	NA	1101	21.5	NA	1110	22 [POR]	NA	1111	NA	NA
	VGH	VGL																																																													
0000	15	-15																																																													
0001	15.5	-15.5																																																													
0010	16	-16																																																													
0011	16.5	-16.5																																																													
0100	17	-17																																																													
0101	17.5	-17.5																																																													
0110	18	-18																																																													
0111	18.5	-18.5																																																													
1000	19	-19																																																													
1001	19.5	-19.5																																																													
1010	20	-20 [POR]																																																													
1011	20.5	NA																																																													
1100	21	NA																																																													
1101	21.5	NA																																																													
1110	22 [POR]	NA																																																													
1111	NA	NA																																																													
0	0	04	0	0	0	0	0	1	0	0	Source Driving voltage Control	Set Source output voltage magnitude																																																			
0	1		0	0	0	0	A ₃	A ₂	A ₁	A ₀		<p>A[3:0]: VSH/VSL 10V to 17V in 0.5V step</p> <table border="1"> <thead> <tr> <th></th> <th>VSH/VSL</th> </tr> </thead> <tbody> <tr><td>0000</td><td>10</td></tr> <tr><td>0001</td><td>10.5</td></tr> <tr><td>0010</td><td>11</td></tr> <tr><td>0011</td><td>11.5</td></tr> <tr><td>0100</td><td>12</td></tr> <tr><td>0101</td><td>12.5</td></tr> <tr><td>0110</td><td>13</td></tr> <tr><td>0111</td><td>13.5</td></tr> <tr><td>1000</td><td>14</td></tr> <tr><td>1001</td><td>14.5</td></tr> <tr><td>1010</td><td>15.0 [POR]</td></tr> <tr><td>1011</td><td>15.5</td></tr> <tr><td>1100</td><td>16</td></tr> <tr><td>1101</td><td>16.5</td></tr> <tr><td>1110</td><td>17</td></tr> <tr><td>1111</td><td>N/A</td></tr> </tbody> </table> <p>Source setting can be loaded from WS-BYTE31, D[3:0]</p>		VSH/VSL	0000	10	0001	10.5	0010	11	0011	11.5	0100	12	0101	12.5	0110	13	0111	13.5	1000	14	1001	14.5	1010	15.0 [POR]	1011	15.5	1100	16	1101	16.5	1110	17	1111	N/A																	
	VSH/VSL																																																														
0000	10																																																														
0001	10.5																																																														
0010	11																																																														
0011	11.5																																																														
0100	12																																																														
0101	12.5																																																														
0110	13																																																														
0111	13.5																																																														
1000	14																																																														
1001	14.5																																																														
1010	15.0 [POR]																																																														
1011	15.5																																																														
1100	16																																																														
1101	16.5																																																														
1110	17																																																														
1111	N/A																																																														
0	0	05	0	0	0	0	0	1	0	1	Reserve																																																				
0	0	06	0	0	0	0	0	1	1	0	Reserve																																																				



Command Table																														
R/W#	D/C#	Hex	D7	D6	D5	D4	D3	D2	D1	D0	Command	Description																		
0	0	07	0	0	0	0	0	1	1	1	Display Control	Display control setting																		
0	1		0	0	A ₅	A ₄	0	0	0	0		<table border="1"> <thead> <tr> <th>A[5]</th> <th>A[4]</th> <th>Description</th> </tr> </thead> <tbody> <tr> <td>1</td> <td>1</td> <td>All Gate output voltage level as VGH</td> </tr> <tr> <td>0</td> <td>1</td> <td>All Gate output voltage level as VGL</td> </tr> <tr> <td>1</td> <td>0</td> <td>Selected gate output as VGL, non-selected gate output as VGH</td> </tr> <tr> <td>0</td> <td>0</td> <td>Selected gate output as VGH, non-selected gate output as VGL [POR]</td> </tr> </tbody> </table>	A[5]	A[4]	Description	1	1	All Gate output voltage level as VGH	0	1	All Gate output voltage level as VGL	1	0	Selected gate output as VGL, non-selected gate output as VGH	0	0	Selected gate output as VGH, non-selected gate output as VGL [POR]			
A[5]	A[4]	Description																												
1	1	All Gate output voltage level as VGH																												
0	1	All Gate output voltage level as VGL																												
1	0	Selected gate output as VGL, non-selected gate output as VGH																												
0	0	Selected gate output as VGH, non-selected gate output as VGL [POR]																												
0	0	08	0	0	0	0	1	0	0	0	Reserve																			
0	0	09	0	0	0	0	1	0	0	1	Reserve																			
0	0	0A	0	0	0	0	1	0	1	0	Reserve																			
0	0	0B	0	0	0	0	1	0	1	1	Gate and Source non overlap period Control	Set Delay of gate and source non overlap period: - Gate falling edge to source output change - Source change to Gate rising edge																		
0	1		0	0	0	0	A ₃	A ₂	A ₁	A ₀		Delay Duration in terms of Oscillator clock [1/F _{osc}]																		
												<table border="1"> <thead> <tr> <th>A [3:0]</th> <th>Delay Duration</th> </tr> </thead> <tbody> <tr> <td>0000</td> <td>NA</td> </tr> <tr> <td>0001</td> <td>NA</td> </tr> <tr> <td>0010</td> <td>4</td> </tr> <tr> <td>...</td> <td></td> </tr> <tr> <td>0101</td> <td>10 [POR]</td> </tr> <tr> <td>...</td> <td></td> </tr> <tr> <td>1110</td> <td>28</td> </tr> <tr> <td>1111</td> <td>NA</td> </tr> </tbody> </table>	A [3:0]	Delay Duration	0000	NA	0001	NA	0010	4	...		0101	10 [POR]	...		1110	28	1111	NA
A [3:0]	Delay Duration																													
0000	NA																													
0001	NA																													
0010	4																													
...																														
0101	10 [POR]																													
...																														
1110	28																													
1111	NA																													



Command Table												
R/W#	D/C#	Hex	D7	D6	D5	D4	D3	D2	D1	D0	Command	Description
0	0	0C	0	0	0	0	1	1	0	0	Booster Soft start Control	Booster Enable with Phase 1, Phase 2 and Phase 3 for soft start current setting.
0	1		1	A ₆	A ₅	A ₄	A ₃	A ₂	A ₁	A ₀	Phase1 Setting	
0	1		1	B ₆	B ₅	B ₄	B ₃	B ₂	B ₁	B ₀	Phase2 Setting	
0	1		1	C ₆	C ₅	C ₄	C ₃	C ₂	C ₁	C ₀	Phase3 Setting	C[7:0] = 8Dh [POR]
0	0	0D	0	0	0	0	1	1	0	1	Reserve	
0	0	0E	0	0	0	0	1	1	1	0	Reserve	
0	0	0F	0	0	0	0	1	1	1	1	Gate scan start position	Set the scanning start position of the gate driver. The valid range is from 0 to 319. When TB=0: SCN [8:0] = A[8:0] A[8:0] = 000h [POR] When TB=1: SCN [8:0] = 319 - A[8:0] A[8:0] = 000h [POR]
0	1		A ₇	A ₆	A ₅	A ₄	A ₃	A ₂	A ₁	A ₀		
0	1		0	0	0	0	0	0	0	A ₈		



Command Table											Command	Description						
R/W#	D/C#	Hex	D7	D6	D5	D4	D3	D2	D1	D0								
0	0	10	0	0	0	1	0	0	0	0	Deep Sleep mode	Deep Sleep mode Control						
0	1		0	0	0	0	0	0	0	A ₀		<table border="1"> <tr> <td>A[0] :</td> <td>Description</td> </tr> <tr> <td>0</td> <td>Normal Mode [POR]</td> </tr> <tr> <td>1</td> <td>Enter Deep Sleep Mode</td> </tr> </table>	A[0] :	Description	0	Normal Mode [POR]	1	Enter Deep Sleep Mode
A[0] :	Description																	
0	Normal Mode [POR]																	
1	Enter Deep Sleep Mode																	
0	0	11	0	0	0	1	0	0	0	1	Data Entry mode setting	<p>Define data entry sequence A [1:0] = ID[1:0] Address automatic increment / decrement setting The setting of incrementing or decrementing of the address counter can be made independently in each upper and lower bit of the address.</p> <p>00 –Y decrement, X decrement, 01 –Y decrement, X increment, 10 –Y increment, X decrement, 11 –Y increment, X increment [POR]</p> <p>A[2] = AM Set the direction in which the address counter is updated automatically after data are written to the RAM.</p> <p>AM= 0, the address counter is updated in the X direction. [POR] AM = 1, the address counter is updated in the Y direction.</p>						
0	1		0	0	0	0	0	A ₂	A ₁	A ₀								
0	0	12	0	0	0	1	0	0	1	0	SWRESET	It resets the commands and parameters to their S/W Reset default values except R10h-Deep Sleep Mode Note: RAM are unaffected by this command.						
0	0	13	0	0	0	1	0	0	1	1	Reserve							
0	0	14	0	0	0	1	0	1	0	0	Reserve							
0	0	15	0	0	0	1	0	1	0	1	Reserve							
0	0	16	0	0	0	1	0	1	1	0	Reserve							
0	0	17	0	0	0	1	0	1	1	1	Reserve							
0	0	18	0	0	0	1	1	0	0	0	Reserve							
0	0	19	0	0	0	1	1	0	0	1	Reserve							
0	0	1A	0	0	0	1	1	0	1	0	Temperature Sensor Control (Write to temperature register)	Write to temperature register. A[7:0] – MSByte 01111111[POR] B[7:0] – LSByte 11110000[POR]						
0	1		A ₇	A ₆	A ₅	A ₄	A ₃	A ₂	A ₁	A ₀								
0	1		B ₇	B ₆	B ₅	B ₄	0	0	0	0								
0	0	1B	0	0	0	1	1	1	0	1	Temperature Sensor Control (Read from temperature register)	Read from temperature register. X[7:0] – MSByte Y[7:4] – LSByte						
1	1		X ₇	X ₆	X ₅	X ₄	X ₃	X ₂	X ₁	X ₀								
1	1		Y ₇	Y ₆	Y ₅	Y ₄	0	0	0	0								



Command Table											Command	Description															
R/W#	D/C#	Hex	D7	D6	D5	D4	D3	D2	D1	D0																	
0	0	1C	0	0	0	1	1	1	0	0	Temperature Sensor Control (Write Command to temperature sensor)	Write Command to temperature sensor A[7:6] – Select no of byte to be sent 00 – Address + pointer 01 – Address + pointer + 1 st parameter 10 – Address + pointer + 1 st parameter + 2 nd pointer 11 – Address A[5:0] – Pointer Setting B[7:0] – 1 st parameter C[7:0] – 2 nd parameter The command required CLKEN=1.															
0	1		A ₇	A ₆	A ₅	A ₄	A ₃	A ₂	A ₁	A ₀																	
0	1		B ₇	B ₆	B ₅	B ₄	B ₃	B ₂	B ₁	B ₀																	
0	1		C ₇	C ₆	C ₅	C ₄	C ₃	C ₂	C ₁	C ₀																	
0	0	1D	0	0	0	1	1	1	0	1	Temperature Sensor Control (Load temperature register with temperature sensor reading)	Load temperature register with temperature sensor reading BUSY=H for whole loading period The command required CLKEN=1.															
0	0	1E	0	0	0	1	1	1	1	0	Reserve																
0	0	1F	0	0	0	1	1	1	1	1	Reserve																
0	0	20	0	0	1	0	0	0	0	0	Master Activation	Activate Display Update Sequence The Display Update Sequence Option is located at R22h User should not interrupt this operation to avoid corruption of panel images.															
0	0	21	0	0	1	0	0	0	0	1	Display Update Control 1	Option for Display Update Bypass Option used for Pattern Display, which is used for display the RAM content into the Display OLD RAM Bypass option A [7] A[7] = 1: Enable bypass A[7] = 0: Disable bypass [POR] A[4] value will be used as for bypass. A[4] = 0 [POR] A[1:0] Initial Update Option - Source Control															
0	1		A ₇	0	0	A ₄	A ₃	A ₂	A ₁	A ₀																	
											<table border="1"> <tr> <td>A[1:0]</td> <td>GSC</td> <td>GSD</td> </tr> <tr> <td>00</td> <td>GS0</td> <td>GS0</td> </tr> <tr> <td>01 [POR]</td> <td>GS0</td> <td>GS1</td> </tr> <tr> <td>10</td> <td>GS1</td> <td>GS0</td> </tr> <tr> <td>11</td> <td>GS1</td> <td>GS1</td> </tr> </table>		A[1:0]	GSC	GSD	00	GS0	GS0	01 [POR]	GS0	GS1	10	GS1	GS0	11	GS1	GS1
A[1:0]	GSC	GSD																									
00	GS0	GS0																									
01 [POR]	GS0	GS1																									
10	GS1	GS0																									
11	GS1	GS1																									



Command Table											Command	Description																				
R/W#	D/C#	Hex	D7	D6	D5	D4	D3	D2	D1	D0																						
0	0	22	0	0	1	0	0	0	1	0	Display Update Control 2	Display Update Sequence Option: Enable the stage for Master Activation																				
0	1		A7	A6	A5	A4	A3	A2	A1	A0		<table border="1"> <thead> <tr> <th></th> <th>Parameter (in Hex)</th> </tr> </thead> <tbody> <tr> <td>Enable Clock Signal, Then Enable CP Then Load Temperature value Then Load LUT Then INITIAL DISPLAY Then PATTERN DISPLAY Then Disable CP Then Disable OSC</td> <td>FF [POR]</td> </tr> <tr> <td>Enable Clock Signal, Then Enable CP Then Load Temperature value Then Load LUT Then PATTERN DISPLAY Then Disable CP Then Disable OSC</td> <td>F7</td> </tr> <tr> <td>To Enable Clock Signal (CLKEN=1)</td> <td>80</td> </tr> <tr> <td>To Enable Clock Signal, then Enable CP (CLKEN=1, CPEN=1)</td> <td>C0</td> </tr> <tr> <td>To INITIAL DISPLAY + PATTEN DISPLAY</td> <td>0C</td> </tr> <tr> <td>To INITIAL DISPLAY</td> <td>08</td> </tr> <tr> <td>To DISPLAY PATTEN</td> <td>04</td> </tr> <tr> <td>To Disable CP, then Disable Clock Signal (CLKEN=1, CPEN=1)</td> <td>03</td> </tr> <tr> <td>To Disable Clock Signal (CLKEN=1)</td> <td>01</td> </tr> </tbody> </table> <p>Remark: CLKEN=1: If CLS=VDDIO then Enable OSC If CLS=VSS then Enable External Clock CLKEN=0: If CLS=VDDIO then Disable OSC AND INTERNAL CLOCK Signal = VSS,</p>		Parameter (in Hex)	Enable Clock Signal, Then Enable CP Then Load Temperature value Then Load LUT Then INITIAL DISPLAY Then PATTERN DISPLAY Then Disable CP Then Disable OSC	FF [POR]	Enable Clock Signal, Then Enable CP Then Load Temperature value Then Load LUT Then PATTERN DISPLAY Then Disable CP Then Disable OSC	F7	To Enable Clock Signal (CLKEN=1)	80	To Enable Clock Signal, then Enable CP (CLKEN=1, CPEN=1)	C0	To INITIAL DISPLAY + PATTEN DISPLAY	0C	To INITIAL DISPLAY	08	To DISPLAY PATTEN	04	To Disable CP, then Disable Clock Signal (CLKEN=1, CPEN=1)	03	To Disable Clock Signal (CLKEN=1)	01
	Parameter (in Hex)																															
Enable Clock Signal, Then Enable CP Then Load Temperature value Then Load LUT Then INITIAL DISPLAY Then PATTERN DISPLAY Then Disable CP Then Disable OSC	FF [POR]																															
Enable Clock Signal, Then Enable CP Then Load Temperature value Then Load LUT Then PATTERN DISPLAY Then Disable CP Then Disable OSC	F7																															
To Enable Clock Signal (CLKEN=1)	80																															
To Enable Clock Signal, then Enable CP (CLKEN=1, CPEN=1)	C0																															
To INITIAL DISPLAY + PATTEN DISPLAY	0C																															
To INITIAL DISPLAY	08																															
To DISPLAY PATTEN	04																															
To Disable CP, then Disable Clock Signal (CLKEN=1, CPEN=1)	03																															
To Disable Clock Signal (CLKEN=1)	01																															
0	0	23	0	0	1	0	0	0	1	1	Reserve																					
0	0	24	0	0	1	0	0	1	0	0	Write RAM	After this command, data entries will be written into the RAM until another command is written. Address pointers will advance accordingly.																				
0	0	25	0	0	1	0	0	1	0	1	Read RAM	After this command, data read on the MCU bus will fetch data from RAM, until another command is written. Address pointers will advance accordingly.																				
0	0	26	0	0	1	0	0	1	1	0	Reserve																					
0	0	27	0	0	1	0	0	1	1	1	Reserve																					



Command Table												
R/W#	D/C#	Hex	D7	D6	D5	D4	D3	D2	D1	D0	Command	Description
0	0	28	0	0	1	0	1	0	0	0	VCOM Sense	Enter VCOM sensing conditions and hold for duration defined in 29h before reading VCOM value. The sensed VCOM voltage is stored in register The command required CLKEN=1.
0	0	29	0	0	1	0	1	0	0	1	VCOM Sense Duration	Stabling time between entering VCOM sensing mode and reading acquired. VCOM sense duration = Setting + 1 Seconds 0x09(10Seconds) [POR]
0	1		0	0	0	0	A ₃	A ₂	A ₁	A ₀		
0	0	2A	0	0	1	0	1	0	1	0	Program VCOM OTP	Program VCOM register into OTP
0	0	2B	0	0	1	0	1	0	1	1	Reserve	
0	0	2C	0	0	1	0	1	0	1	1	Write VCOM register	Write VCOM register from MCU interface
0	1		A ₇	A ₆	A ₅	A ₄	A ₃	A ₂	A ₁	A ₀		
0	0	2D	0	0	1	0	1	1	0	1	Read OTP Registers	Read register reading to MCU A [7:0] Spare OTP Option B [7:0] VCOM Register
1	1		A ₇	A ₆	A ₅	A ₄	A ₃	A ₂	A ₁	A ₀		
1	1		B ₇	B ₆	B ₅	B ₄	B ₃	B ₂	B ₁	B ₀		
0	0	2E	0	0	1	0	1	1	1	0	Reserve	
0	0	2F	0	0	1	0	1	1	1	1	Reserve	
0	0	30	0	0	1	1	0	0	0	0	Program WS OTP	Program OTP of Waveform Setting The contents should be written into RAM before sending this command.
0	0	31	0	0	1	1	0	0	0	1	Reserve	
0	0	32	0	0	1	1	0	0	1	0	Write LUT register	Write LUT register from MCU [240 bits], (excluding the VSH/VSL and Dummy bit)
0	1		LUT [30 bytes]									
0	1											
0	1											
...	...											
0	1											
0	1											
0	0	33	0	0	1	1	0	0	1	1	Read LUT register	Read from LUT register [240 bits] (excluding the VSH/VSL and Dummy bit)
1	1		LUT [30 bytes]									
1	1											
1	1											
...	...											
1	1											
1	1											



Command Table											Command	Description																																		
R/W#	D/C#	Hex	D7	D6	D5	D4	D3	D2	D1	D0																																				
0	0	34	0	0	1	1	0	1	0	0	Reserve																																			
0	0	35	0	0	1	1	0	1	0	1	Reserve																																			
0	0	36	0	0	1	1	0	1	1	0	Program OTP selection	Program OTP Selection according to the OTP Selection Control [R37h]																																		
0	0	37	0	0	1	1	0	1	1	1	OTP selection Control	Write the OTP Selection: <table border="1" style="margin-left: 20px;"> <tr> <td>A[7]=1</td> <td>spare VCOM OTP</td> </tr> <tr> <td>A[6]</td> <td>VCOM_Status</td> </tr> <tr> <td>A[5]=1</td> <td>spare WS OTP</td> </tr> <tr> <td>A[4]</td> <td>WS_Status</td> </tr> </table> <p>A[3:0] are reserved OTP bit. User can treat the bits as Version Control.</p>	A[7]=1	spare VCOM OTP	A[6]	VCOM_Status	A[5]=1	spare WS OTP	A[4]	WS_Status																										
A[7]=1	spare VCOM OTP																																													
A[6]	VCOM_Status																																													
A[5]=1	spare WS OTP																																													
A[4]	WS_Status																																													
0	1		A ₇	A ₆	A ₅	A ₄	A ₃	A ₂	A ₁	A ₀																																				
0	0	38	0	0	1	1	1	0	0	0	Reserve																																			
0	0	39	0	0	1	1	1	0	0	1	Reserve																																			
0	0	3A	0	0	1	1	1	0	1	0	Set dummy line period	Set number of dummy line period																																		
0	1		0	A ₆	A ₅	A ₄	A ₃	A ₂	A ₁	A ₀		A[6:0]: Number of dummy line period in term of TGate A[6:0] = 02h [POR] Available setting 0 to 127.																																		
0	0	3B	0	0	1	1	1	0	1	1	Set Gate line width	Set Gate line width (TGate) A[3:0] Line width in us																																		
0	1		0	0	0	0	A ₃	A ₂	A ₁	A ₀		<table border="1" style="margin-left: 20px;"> <thead> <tr> <th>A[3:0]</th> <th>TGate</th> </tr> </thead> <tbody> <tr><td>0000</td><td>30</td></tr> <tr><td>0001</td><td>34</td></tr> <tr><td>0010</td><td>38</td></tr> <tr><td>0011</td><td>40</td></tr> <tr><td>0100</td><td>44</td></tr> <tr><td>0101</td><td>46</td></tr> <tr><td>0110</td><td>52</td></tr> <tr><td>0111</td><td>56</td></tr> <tr><td>1000</td><td>62 [POR]</td></tr> <tr><td>1001</td><td>68</td></tr> <tr><td>1010</td><td>78</td></tr> <tr><td>1011</td><td>88</td></tr> <tr><td>1100</td><td>104</td></tr> <tr><td>1101</td><td>125</td></tr> <tr><td>1110</td><td>156</td></tr> <tr><td>1111</td><td>208</td></tr> </tbody> </table> <p>Remark: Default value will give 50Hz Frame frequency under 22 dummy line pulse setting.</p>	A[3:0]	TGate	0000	30	0001	34	0010	38	0011	40	0100	44	0101	46	0110	52	0111	56	1000	62 [POR]	1001	68	1010	78	1011	88	1100	104	1101	125	1110	156	1111	208
A[3:0]	TGate																																													
0000	30																																													
0001	34																																													
0010	38																																													
0011	40																																													
0100	44																																													
0101	46																																													
0110	52																																													
0111	56																																													
1000	62 [POR]																																													
1001	68																																													
1010	78																																													
1011	88																																													
1100	104																																													
1101	125																																													
1110	156																																													
1111	208																																													



Command Table											Command	Description																									
R/W#	D/C#	Hex	D7	D6	D5	D4	D3	D2	D1	D0																											
0	0	3C	0	0	1	1	1	1	0	0	Border Waveform Control	Select border waveform for VBD																									
0	1		A ₇	A ₆	A ₅	A ₄	0	0	A ₁	A ₀		<p>A [7] Follow Source at Initial Update Display A [7]=0: [POR] A [7]=1: Follow Source at Initial Update Display for VBD, A [6:0] setting are being overridden at Initial Display STAGE.</p> <p>A [6] Select GS Transition/ Fix Level for VBD A [6]=0: Select GS Transition A[3:0] for VBD A [6]=1: Select FIX level Setting A[5:4] for VBD [POR]</p> <p>A [5:4] Fix Level Setting for VBD</p> <table border="1"> <thead> <tr> <th>A[5:4]</th> <th>VBD level</th> </tr> </thead> <tbody> <tr> <td>00</td> <td>VSS</td> </tr> <tr> <td>01</td> <td>VSH</td> </tr> <tr> <td>10</td> <td>VSL</td> </tr> <tr> <td>11[POR]</td> <td>HiZ</td> </tr> </tbody> </table> <p>A [1:0] GS transition setting for VBD (Select waveform like data A[3:2] to data A[1:0])</p> <table border="1"> <thead> <tr> <th>A[1:0]</th> <th>GSA</th> <th>GSB</th> </tr> </thead> <tbody> <tr> <td>00</td> <td>GS0</td> <td>GS0</td> </tr> <tr> <td>01 [POR]</td> <td>GS0</td> <td>GS1</td> </tr> <tr> <td>10</td> <td>GS1</td> <td>GS0</td> </tr> <tr> <td>11</td> <td>GS1</td> <td>GS1</td> </tr> </tbody> </table>	A[5:4]	VBD level	00	VSS	01	VSH	10	VSL	11[POR]	HiZ	A[1:0]	GSA	GSB	00	GS0	GS0	01 [POR]	GS0	GS1	10	GS1	GS0	11	GS1	GS1
A[5:4]	VBD level																																				
00	VSS																																				
01	VSH																																				
10	VSL																																				
11[POR]	HiZ																																				
A[1:0]	GSA	GSB																																			
00	GS0	GS0																																			
01 [POR]	GS0	GS1																																			
10	GS1	GS0																																			
11	GS1	GS1																																			
0	0	3D	0	0	1	1	1	1	0	1	Reserve																										
0	0	3E	0	0	1	1	1	1	1	0	Reserve																										
0	0	3F	0	0	1	1	1	1	1	1	Reserve																										
0	0	40	0	1	0	0	0	0	0	0	Reserve																										
0	0	41	0	1	0	0	0	0	0	1	Reserve																										
0	0	42	0	1	0	0	0	0	1	0	Reserve																										
0	0	43	0	1	0	0	0	0	1	1	Reserve																										
0	0	44	0	1	0	0	0	1	0	0	Set RAM X - address Start / End position	Specify the start/end positions of the window address in the X direction by an address unit																									
0	1		0	0	0	A ₄	A ₃	A ₂	A ₁	A ₀																											
0	1		0	0	0	B ₄	B ₃	B ₂	B ₁	B ₀		<p>A[4:0]: XSA[4:0], XStart, POR = 00h B[4:0]: XEA[4:0], XEnd, POR = 1Dh</p>																									
0	0	45	0	1	0	0	0	1	0	1	Set Ram Y- address Start / End position	Specify the start/end positions of the window address in the Y direction by an address unit																									
0	1		A ₇	A ₆	A ₅	A ₄	A ₃	A ₂	A ₁	A ₀																											
0	1		0	0	0	0	0	0	0	A ₈																											
0	1		B ₇	B ₆	B ₅	B ₄	B ₃	B ₂	B ₁	B ₀		<p>A[8:0]: YSA[8:0], YStart, POR = 000h B[8:0]: YEA[8:0], YEnd, POR = 13Fh</p>																									
0	1		0	0	0	0	0	0	0	B ₈																											
0	0	46	0	1	0	0	0	1	1	0	Reserve																										
0	0	47	0	1	0	0	0	1	1	1	Reserve																										
0	0	48	0	1	0	0	1	0	0	0	Reserve																										



Command Table												
R/W#	D/C#	Hex	D7	D6	D5	D4	D3	D2	D1	D0	Command	Description
0	0	49	0	1	0	0	1	0	0	1	Reserve	
0	0	4A	0	1	0	0	1	0	1	0	Reserve	
0	0	4B	0	1	0	0	1	0	1	1	Reserve	
0	0	4C	0	1	0	0	1	1	0	0	Reserve	
0	0	4D	0	1	0	0	1	1	0	1	Reserve	
0	0	4E	0	1	0	0	1	1	1	0	Set RAM X address counter	Make initial settings for the RAM X address in the address counter (AC) A[4:0]: XAD[4:0], POR is 00h
0	1		0	0	0	A ₄	A ₃	A ₂	A ₁	A ₀		
0	0	4F	0	1	0	0	1	1	1	1	Set RAM Y address counter	Make initial settings for the RAM Y address in the address counter (AC) A[8:0]: YAD8:0], POR is 000h
0	1		A ₇	A ₆	A ₅	A ₄	A ₃	A ₂	A ₁	A ₀		
0	1		0	0	0	0	0	0	0	A ₈		
0	1	FF	1	1	1	1	1	1	1	1	NOP	This command is an empty command; it does not have any effect on the display module. However it can be used to terminate Frame Memory Write or Read Commands.



8 Command DESCRIPTION

8.1 Driver Output Control (01h)

This double byte command has multiple configurations and each bit setting is described as follows:

R/W	DC	IB7	IB6	IB5	IB4	IB3	IB2	IB1	IB0
W	1	MUX7	MUX6	MUX5	MUX4	MUX3	MUX2	MUX1	MUX0
POR		0	0	1	0	1	0	1	1
W	1								MUX8
POR									1
W	1						GD	SM	TB
POR							0	0	0

MUX[8:0]: Specify number of lines for the driver: MUX[8:0] + 1. Multiplex ratio (MUX ratio) from 16 MUX to 320MUX.

GD: Selects the 1st output Gate

This bit is made to match the GATE layout connection on the panel. It defines the first scanning line.

SM: Change scanning order of gate driver.

When SM is set to 0, left and right interlaced is performed.

When SM is set to 1, no splitting odd / even of the GATE signal is performed,

Output pin assignment sequence is shown as below (for 320 MUX ratio):

	SM=0	SM=0	SM=1	SM=1
Driver	GD=0	GD=1	GD=0	GD=1
G0	ROW0	ROW1	ROW0	ROW160
G1	ROW1	ROW0	ROW160	ROW0
G2	ROW2	ROW3	ROW1	ROW161
G3	ROW3	ROW2	ROW161	ROW1
:	:	:	:	:
G158	ROW158	ROW159	ROW79	ROW239
G159	ROW159	ROW158	ROW239	ROW79
G160	ROW160	ROW161	ROW80	ROW240
G161	ROW161	ROW160	ROW240	ROW80
:	:	:	:	:
G316	ROW316	ROW317	ROW158	ROW318
G317	ROW317	ROW316	ROW318	ROW158
G318	ROW318	ROW319	ROW159	ROW319
G319	ROW319	ROW318	ROW319	ROW159

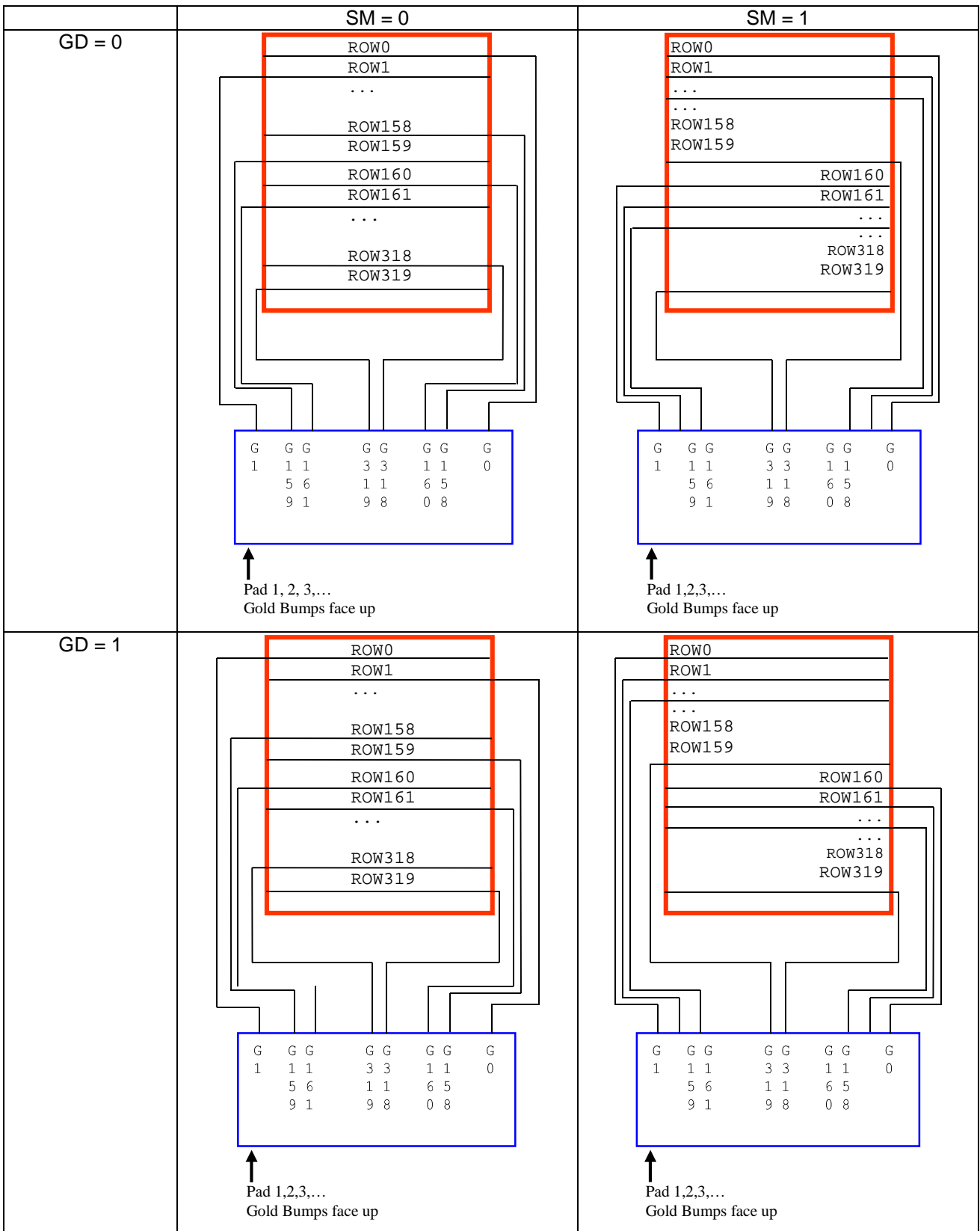
See "Scan Mode Setting" on next page.

TB: Change scanning direction of gate driver.

This bit defines the scanning direction of the gate for flexible layout of signals in module either from up to down (TB = 0) or from bottom to up (TB = 1).



Figure 8-1: Output pin assignment on different Scan Mode Setting





8.2 Gate Scan Start Position (0Fh)

R/W	DC	IB7	IB6	IB5	IB4	IB3	IB2	IB1	IB0
W	1	SCN7	SCN6	SCN5	SCN4	SCN3	SCN2	SCN1	SCN0
POR		0	0	0	0	0	0	0	0
W	1	0	0	0	0	0	0	0	SCN8
POR		0	0	0	0	0	0	0	0

This command is to set Gate Start Position for determining the starting gate of display RAM by selecting a value from 0 to 319. Figure 8-2 shows an example using this command of this command when MUX ratio= 320 and MUX ratio= 160 “ROW” means the graphic display data RAM row.

Figure 8-2: Example of Set Display Start Line with no Remapping

GATE Pin	MUX ratio (01h) = 13Fh Gate Start Position (0Fh) = 000h	MUX ratio (01h) = 09Fh Gate Start Position (0Fh) = 000h	MUX ratio (01h) = 09Fh Gate Start Position (0Fh) = 050h
G0	ROW0	ROW0	-
G1	ROW1	ROW1	-
G2	ROW2	ROW2	-
G3	ROW3	ROW3	-
:	:	:	:
:	:	:	:
G78	:	:	-
G79	:	:	-
G80	:	:	ROW80
G81	:	:	ROW81
:	:	:	:
:	:	:	:
G158	ROW158	ROW158	:
G159	ROW159	ROW159	:
G160	ROW160	-	:
G161	ROW161	-	:
:	:	:	:
:	:	:	:
G238	:	:	ROW238
G239	:	:	ROW239
G240	:	:	-
G241	:	:	-
:	:	:	:
:	:	:	:
G316	ROW316	-	-
G317	ROW317	-	-
G318	ROW318	-	-
G319	ROW319	-	-
Display Example			



8.3 Data Entry Mode Setting (11h)

This command has multiple configurations and each bit setting is described as follows:

R/W	DC	IB7	IB6	IB5	IB4	IB3	IB2	IB1	IB0
W	1						AM	ID1	ID0
POR		0	0	0	0	0	0	1	1

ID[1:0]: The address counter is automatically incremented by 1, after data is written to the RAM when ID[1:0] = "01". The address counter is automatically decremented by 1, after data is written to the RAM when ID[1:0] = "00". The setting of incrementing or decrementing of the address counter can be made independently in each upper and lower bit of the address. The direction of the address when data is written to the RAM is set by AM bits.

AM: Set the direction in which the address counter is updated automatically after data are written to the RAM. When AM = "0", the address counter is updated in the X direction. When AM = "1", the address counter is updated in the Y direction. When window addresses are selected, data are written to the RAM area specified by the window addresses in the manner specified with ID[1:0] and AM bits.

	ID [1:0]="00" X: decrement Y: decrement	ID [1:0]="01" X: increment Y: decrement	ID [1:0]="10" X: decrement Y: increment	ID [1:0]="11" X: increment Y: increment
AM="0" X-mode				
AM="1" Y-mode				

The pixel sequence is defined by the ID [0],

	ID[1:0]="00" X: decrement Y: decrement	ID[1:0]="01" X: increment Y: decrement
AM="0" X-mode		



8.4 Set RAM X - Address Start / End Position (44h)

R/W	DC	IB7	IB6	IB5	IB4	IB3	IB2	IB1	IB0
W	1				XSA4	XSA3	XSA2	XSA1	XSA0
POR		0	0	0	0	0	0	0	0
W	1				XEA4	XEA3	XEA2	XEA1	XEA0
POR		0	0	0	1	1	1	0	1

XSA[4:0]/XEA[4:0]: Specify the start/end positions of the window address in the X direction by 8 times address unit. Data is written to the RAM within the area determined by the addresses specified by XSA [4:0] and XEA [4:0]. These addresses must be set before the RAM write.

It allows on $XEA [4:0] \leq XSA [4:0]$. The settings follow the condition on $00h \leq XSA [4:0]$, $XEA [4:0] \leq 1Dh$. The windows is followed by the control setting of Data Entry Setting (R11h)

8.5 Set RAM Y - Address Start / End Position (45h)

R/W	DC	IB7	IB6	IB5	IB4	IB3	IB2	IB1	IB0
W	1	YSA7	YSA6	YSA5	YSA4	YSA3	YSA2	YSA1	YSA0
POR		0	0	0	0	0	0	0	0
W	1	0	0	0	0	0	0	0	YSA8
POR		0	0	0	0	0	0	0	0
W	1	YEA7	YEA6	YEA5	YEA4	YEA3	YEA2	YEA1	YEA0
POR		0	0	1	1	1	1	1	1
W	1	0	0	0	0	0	0	0	YEA8
POR		0	0	0	0	0	0	0	1

YSA[8:0]/YEA[8:0]: Specify the start/end positions of the window address in the Y direction by an address unit. Data is written to the RAM within the area determined by the addresses specified by YSA [8:0] and YEA [8:0]. These addresses must be set before the RAM write.

It allows $YEA [8:0] \leq YSA [8:0]$. The settings follow the condition on $00h \leq YSA [8:0]$, $YEA [8:0] \leq 13Fh$. The windows is followed by the control setting of Data Entry Setting (R11h)

8.6 Set RAM Address Counter (4Eh-4Fh)

Reg#	R/W	DC	IB7	IB6	IB5	IB4	IB3	IB2	IB1	IB0
4Eh	W	1				XAD4	XAD3	XAD2	XAD1	XAD0
	POR		0	0	0	0	0	0	0	0
4Fh	W	1	YAD7	YAD6	YAD5	YAD4	YAD3	YAD2	YAD1	YAD0
	POR		0	0	0	0	0	0	0	0
4Fh	W	1								YAD8
	POR									0

XAD[4:0]: Make initial settings for the RAM X address in the address counter (AC).

YAD[8:0]: Make initial settings for the RAM Y address in the address counter (AC).

After RAM data is written, the address counter is automatically updated according to the settings with AM, ID bits and setting for a new RAM address is not required in the address counter. Therefore, data is written consecutively without setting an address. The address counter is not automatically updated when data is read out from the RAM. RAM address setting cannot be made during the standby mode. The address setting should be made within the area designated with window addresses which is controlled by the Data Entry Setting (R11h) {AM, ID[1:0]} ; RAM Address XStart / XEnd Position (R44h) and RAM Address Ystart /Yend Position (R45h). Otherwise undesirable image will be displayed on the Panel.



9 Typical Operating Sequence

9.1 Normal Display

Sequence	Action by	Command	Action Description	Remark
1	User	-	Power on (VCI supply);	
2	User	-	HW Reset	
	IC		After HW reset, the IC will have Registers load with POR value Ready for command input VCOM register loaded with OTP value IC enter idle mode	
3		-	Send initial code to driver including setting of	
	User	C 01	Command: Panel configuration (MUX, Source gate scanning direction)	
	User	C 03	Command: VGH, VGL voltage	
	User	C 04	Command: VSH / VSL voltage	
	User	C 3A	Command: Set dummy line pulse period	
	User	C 3B	Command: Set Gate line width	
	User	C 3C	Command: Select Border waveform	
4		-	Data operations	
	User	C 11	Command: Data Entry mode	
	User	C 44	Command: X RAM address start /end	
	User	C 45	Command: Y RAM address start /end	
	User	C 4E	Command: RAM X address counter	
	User	C 4F	Command: RAM Y address counter	
	User	C 24	Command: write display data to RAM	
			Ram Content for Display	
5	User	C 22	Command: Display Update Control 2	
	User	C 20	Command: Master Activation	
	IC	-	Booster and regulators turn on	
	IC	-	Load temperature register with sensor reading	
	IC	-	Load LUT register with corresponding waveform setting stored in OTP)	
	IC	-	Send output waveform according initial update option	
	IC	-	Send output waveform according to data	
	IC	-	Booster and Regulators turn off	
	IC	-	Back to idle mode	
6	User	-	IC power off;	

OTP Selection bit:

Set on R37h, and read from R2Dh, A[7:6] used for VCOM and A[5:4] used for OTP

A[7:6] / [5:4]	Description
00	It indicates fresh device, OTP read and program would be made on Default OTP set User required setting and programming the bits into 01.
01	It indicates default OTP programmed device, OTP read would be made on Default OTP set. User require setting and programming the bits into 11
11	It indicates SPARE OTP programmed device, only OTP read would be made on SPARE OTP set. User should stop the OTP programming if 11 is found at OTP checking stage



9.2 VCOM OTP Program

Sequence	Action by	Command	Action Description	Remark
1	User	-	Power on (VCI and VPP supply)	
2	User	-	HW Reset	
3	User	C 2D	Check whether the IC status and determine whether "default" or "spare" OTP should be used	
4	User		If the IC had been OTP twice (both default and spare had been used up). The operation should stop	
5	User	C 37	Proceed OTP sequence. Command: Indicate which OTP location to be use (default or spare)	OTP selection register
	User	C 22 D 80 C 20	Command: CLKEN=1	
	User	-	Wait until BUSY = L	
6	User	C 36	Program OTP selection register	
	User	-	Wait until BUSY = L	
	User	-	Power OFF (VPP supply)	
7		-	Send initial code to driver including setting of (or leave as POR)	VCOM sensing should have same setting during application
	User	C 01	Command: Panel configuration (MUX, Source gate scanning direction)	
	User	C 03	Command: VGH, VGL voltage	
	User	C 04	Command: VSH / VSL voltage	
	User	C 3A	Command: Set dummy line pulse period	
	User	C 32	VCOM sense required full set of LUT for operation, USER required writing LUT in register 32h	
		-	LUT parameter	
	User	C 22 D 40 C 20	Command: Booster on and High voltage ready	
	User	-	Wait until BUSY = L	
8	User	C 28	Command: Enter VCOM sensing mode	
	IC	-	VCOM pin in sensing mode	
	IC	-	All Source cell have VSS output	
	IC	-	All Gate scanning continuously	
	IC	-	Wait for 10s	According to R29h
	IC	-	Detect VCOM voltage and store in register	
	IC	-	All Gate Stop Scanning.	
	User	-	Wait until BUSY = L	
9	User	C 22 D 02 C 20	Command: Booster and High voltage disable	
	User	-	Wait until BUSY = L	
	User	-	Power On (VPP supply)	
10	User	C 2A	Command: VCOM OTP program	
	User	-	Wait until BUSY = L	
11	User	C 22 D 01 C 20	Command: CLKEN=0	
	User	-	Wait until BUSY = L	
12	User	-	IC power off (VCI and VPP Supply)	



9.3 WS OTP Program

Sequence	Action by	Command	Action Description	Remark
1	User	-	Power on (VCI supply)	
2	User	-	Power on (VPP supply)	
3	User	-	HW Reset	
4	User	C 2D	Check whether the IC status and determine whether "default" or "spare" OTP should be used	
5	User		If the IC had been OTP twice (both default and spare had been used up). The operation should stop	
6	User	C 37	Proceed OTP sequence. Command: Indicate which OTP location to be use (default or spare)	OTP selection register
	User	C 22 D 80 C 20	Command: CLKEN=1	
	User	-	Wait BUSY = L	
7	User	C 36	Program OTP selection register	
	User	-	Wait BUSY = L	
8	User	C 24	Write corresponding data into RAM	
			Following specific format	
			Write into RAM	
			Full LUT (11 entries + Temperature range) must be written at the same time	
	User	C 4E D 00 C 4F D 00	Command: Initial Ram address counter	
9	User	C 30	Waveform Setting OTP programming	
	IC	-	BUSY pin pull H	
	IC	-	Check the OTP Selection	
	IC	-	IC control OTP programming time, and transfer data to selected OTP	
	IC	-	BUSY pin pull L	
	User	-	Wait BUSY = L	
10	User	C 22 D 01 C 20	Command: CLKEN=0	
	User	-	Wait BUSY = L	
11	User	-	IC power off	



10 MAXIMUM RATINGS

Table 10-1: Maximum Ratings

Symbol	Parameter	Rating	Unit
V _{CI}	Logic supply voltage	-0.5 to +4.0	V
V _{IN}	Logic Input voltage	-0.5 to V _{DDIO} +0.5	V
V _{OUT}	Logic Output voltage	-0.5 to V _{DDIO} +0.5	V
T _{OPR}	Operation temperature range	-40 to +85	°C
T _{STG}	Storage temperature range	-65 to +150	°C

Maximum ratings are those values beyond which damages to the device may occur. Functional operation should be restricted to the limits in the Electrical Characteristics tables or Pin Description section

This device contains circuitry to protect the inputs against damage due to high static voltages or electric fields; however, it is advised that normal precautions be taken to avoid application of any voltage higher than maximum rated voltages to this high impedance circuit. This device may be light sensitive. Caution should be taken to avoid exposure of this device to any light source during normal operation. This device is not radiation protected.



11 ELECTRICAL CHARACTERISTICS

The following specifications apply for: VSS=0V, VCI=3.0V, VDD=1.8V, T_{OPR}=25°C.

Table 11-1: DC Characteristics

Symbol	Parameter	Test Condition	Applicable pin	Min.	Typ.	Max.	Unit
V _{CI}	VCI operation voltage		VCI	2.4	3.0	3.7	V
V _{DD}	VDD operation voltage		VDD	1.7	1.8	1.9	V
V _{COM}	VCOM output voltage		VCOM	-4.0		-0.2	V
V _{GATE}	Gate output voltage		G0-319	-20		+22	V
V _{GATE(p-p)}	Gate output peak to peak voltage		G0-319			42	V
V _{SH}	Positive Source output voltage		S0-239	+10		+17	V
V _{SL}	Negative Source output voltage		S0-239		-VSH		V
V _{IH}	High level input voltage		D[7:0], CS#, RW#, D/C#, E, RES#, CLS, M/S#, CL, BS[2:0], TSDA, TSCL	0.8V _{DDIO}			V
V _{IL}	Low level input voltage					0.2V _{DDIO}	V
V _{OH}	High level output voltage	I _{OH} = -100uA	D[7:0], BUSY, CL, TSDA, TSCL	0.9V _{DDIO}			V
V _{OL}	Low level output voltage	I _{OL} = 100uA				0.1V _{DDIO}	V
V _{PP}	OTP Program voltage		VPP		7.5		V
I _{dslp_VCI}	Deep Sleep mode current	VCI=3.7V DC/DC OFF No clock No output load Ram data not retain	V _{CI}		2	5	uA
I _{slp_VCI}	Sleep mode current	VCI=3.7V DC/DC OFF No clock No output load Ram data retain	V _{CI}		35	50	uA
I _{opr_VCI}	Operating current	VCI=3.0V DC/DC on VGH=22V VGL=-20V VSH=15V VSL=-15V VCOM = -2V No waveform transitions. No loading. No RAM read/write No OTP read /write Osc on Bandgap on	V _{CI}		2000		uA
V _{GH}	Operating Mode Output Voltage	VCI=3.0V DC/DC on	VGH	21	22	23	V



Symbol	Parameter	Test Condition	Applicable pin	Min.	Typ.	Max.	Unit
V _{SH}		VGH=22V VGL=-20V VSH=15V VSL=-15V VCOM = -2V No waveform transitions. No loading. Osc on Bandgap on	VSH	14.5	15	15.5	V
V _{COM}			VCOM	-2.5	-2	-1.5	V
V _{SL}			VSL	-15.5	-15	-14.5	V
V _{GL}			VGL	-21	-20	-19	V

Table 11-2: Regulators Characteristics

Symbol	Parameter	Test Condition	Applicable pin	Min.	Typ.	Max.	Unit
IVGH	VGH current	VGH = 22V	VGH			400	uA
IVGL	VGL current	VGL = -20V	VGL			600	uA
IVSH	VSH current	VSH = +15V	VSH			4000	uA
IVSL	VSL current	VSL = -15V	VSL			4000	uA
IVCOM	VCOM current	VCOM = -2V	VCOM			100	uA



12 AC CHARACTERISTICS

12.1 Oscillator frequency

The following specifications apply for: $V_{SS}=0V$, $V_{CI}=3.0V$, $V_{DD}=1.8V$, $T_{OPR}=25^{\circ}C$.

Table 12-1: Oscillator Frequency

Symbol	Parameter	Test Condition	Applicable pin	Min.	Typ.	Max.	Unit
Fosc	Internal Oscillator frequency	$V_{CI}=2.4$ to $3.7V$	CL	0.95	1	1.05	MHz



12.2 Interface Timing

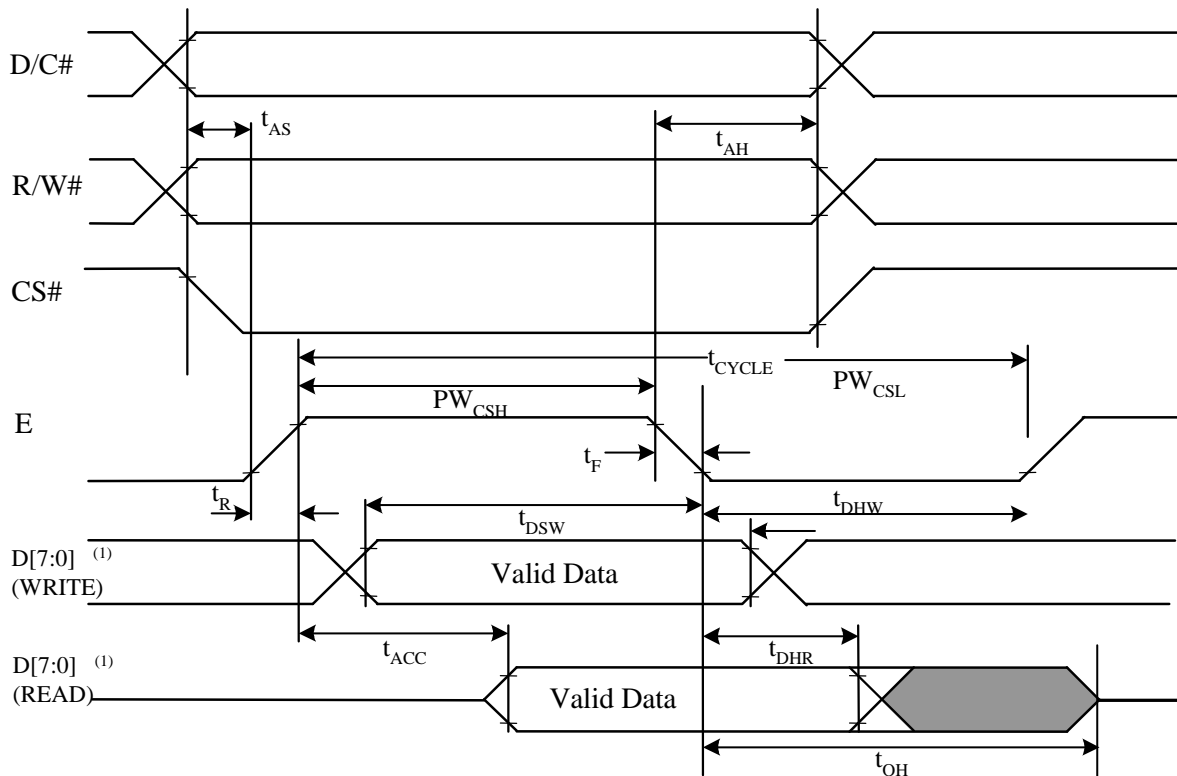
12.2.1 MCU 6800-Series Parallel Interface

Table 12-2 : 6800-Series MCU Parallel Interface Timing Characteristics

($V_{DDIO} - V_{SS} = 2.4V$ to $3.7V$, $T_{OPR} = 25^{\circ}C$, $C_L=20pF$)

Symbol	Parameter	Min	Typ	Max	Unit
t_{cycle}	Clock Cycle Time	300	-	-	ns
t_{AS}	Address Setup Time	0	-	-	ns
t_{AH}	Address Hold Time	0	-	-	ns
t_{DSW}	Write Data Setup Time	40	-	-	ns
t_{DHW}	Write Data Hold Time	7	-	-	ns
t_{DHR}	Read Data Hold Time	20	-	-	ns
t_{OH}	Output Disable Time	-	-	70	ns
t_{ACC}	Access Time	-	-	140	ns
PW_{CSL}	Chip Select Low Pulse Width (read)	120	-	-	ns
	Chip Select Low Pulse Width (write)	60	-	-	ns
PW_{CSH}	Chip Select High Pulse Width (read)	60	-	-	ns
	Chip Select High Pulse Width (write)	60	-	-	ns
t_R	Rise Time [20% ~ 80%]	-	-	15	ns
t_F	Fall Time [20% ~ 80%]	-	-	15	ns

Figure 12-1 : MCU 6800-series parallel interface characteristics





12.2.2 MCU 8080-Series Parallel Interface

Table 12-3 : MCU 8080-Series Parallel Interface Timing Characteristics

($V_{DDIO} - V_{SS} = 2.4V$ to $3.7V$, $T_{OPR} = 25^{\circ}C$, $C_L=20pF$)

Symbol	Parameter	Min	Typ	Max	Unit
t_{cycle}	Clock Cycle Time	300	-	-	ns
t_{AS}	Address Setup Time	10	-	-	ns
t_{AH}	Address Hold Time	0	-	-	ns
t_{DSW}	Write Data Setup Time	40	-	-	ns
t_{DHW}	Write Data Hold Time	7	-	-	ns
t_{DHR}	Read Data Hold Time	20	-	-	ns
t_{OH}	Output Disable Time	-	-	70	ns
t_{ACC}	Access Time	-	-	140	ns
t_{PWLR}	Read Low Time	120	-	-	ns
t_{PWLW}	Write Low Time	60	-	-	ns
t_{PWHR}	Read High Time	60	-	-	ns
t_{PWHW}	Write High Time	60	-	-	ns
t_R	Rise Time [20% ~ 80%]	-	-	15	ns
t_F	Fall Time [20% ~ 80%]	-	-	15	ns
t_{CS}	Chip select setup time	0	-	-	ns
t_{CSH}	Chip select hold time to read signal	0	-	-	ns
t_{CSF}	Chip select hold time	20	-	-	ns

Figure 12-2 : 8080-series parallel interface characteristics (Form 1)

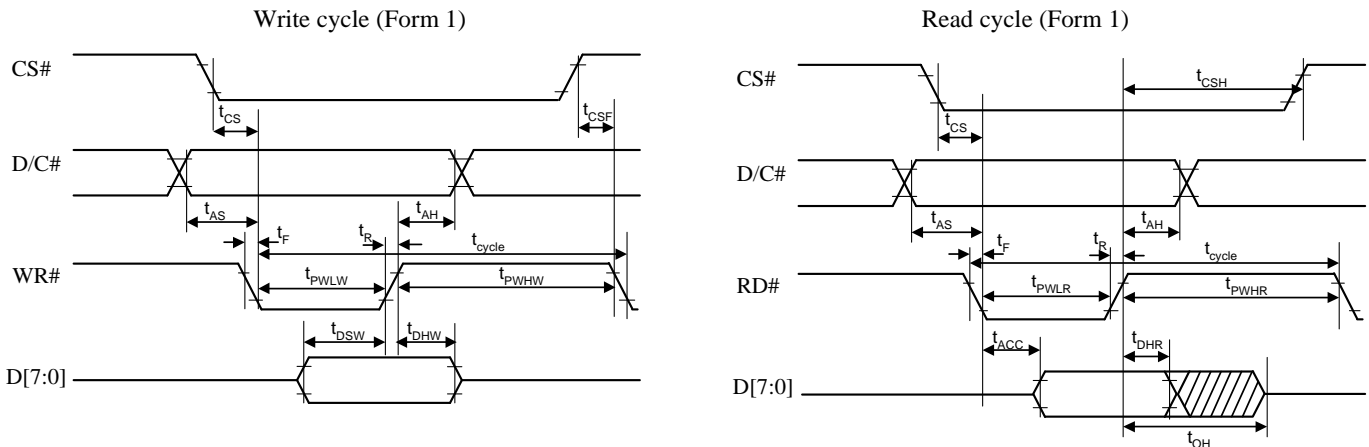
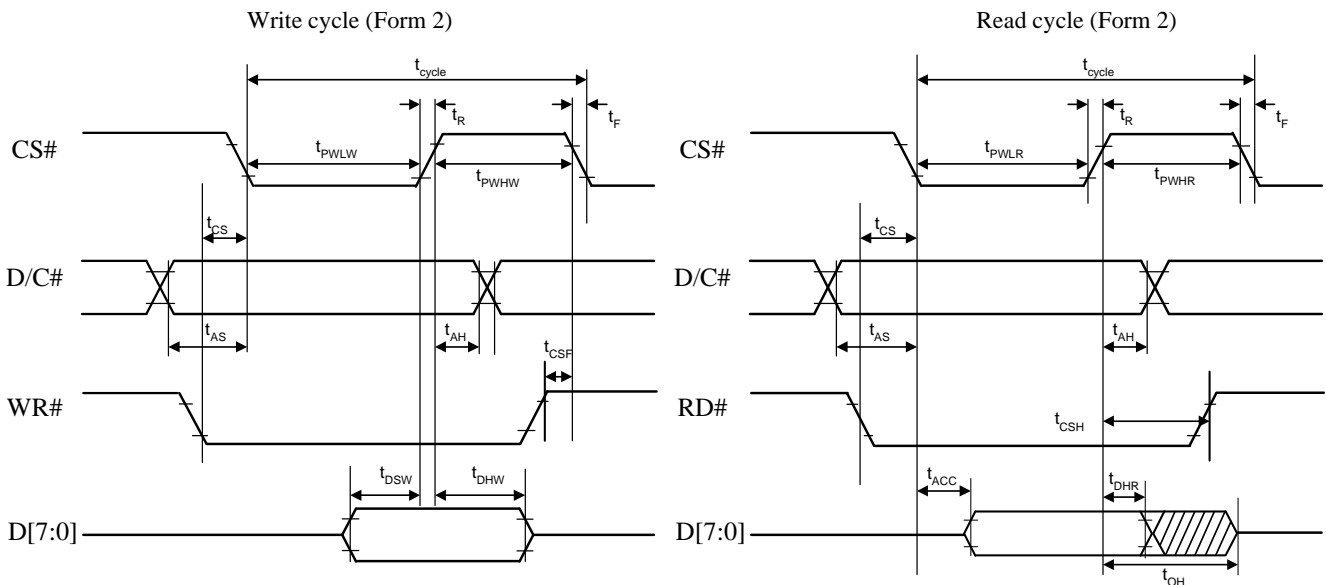


Figure 12-3 : 8080-series parallel interface characteristics (Form 2)





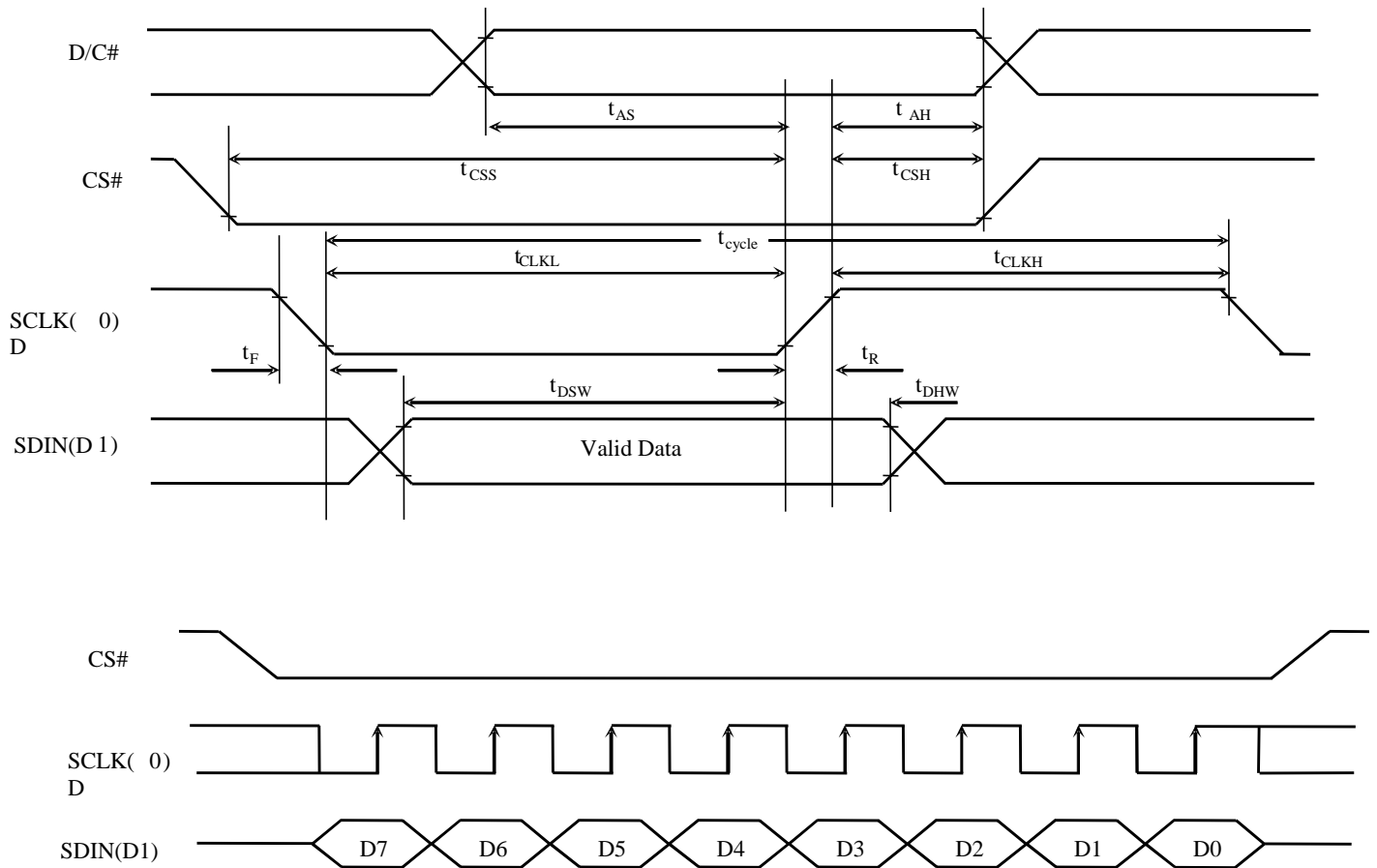
12.2.3 Serial Peripheral Interface

Table 12-4 : Serial Peripheral Interface Timing Characteristics

($V_{DDIO} - V_{SS} = 2.4V$ to $3.7V$, $T_{OPR} = 25^{\circ}C$, $C_L=20pF$)

Symbol	Parameter	Min	Typ	Max	Unit
t_{cycle}	Clock Cycle Time	250	-	-	ns
t_{AS}	Address Setup Time	150	-	-	ns
t_{AH}	Address Hold Time	150	-	-	ns
t_{CSS}	Chip Select Setup Time	120	-	-	ns
t_{CSH}	Chip Select Hold Time	60	-	-	ns
t_{DSW}	Write Data Setup Time	50	-	-	ns
t_{DHW}	Write Data Hold Time	15	-	-	ns
t_{CLKL}	Clock Low Time	100	-	-	ns
t_{CLKH}	Clock High Time	100	-	-	ns
t_R	Rise Time [20% ~ 80%]	-	-	15	ns
t_F	Fall Time [20% ~ 80%]	-	-	15	ns

Figure 12-4 : Serial peripheral interface characteristics





13 APPLICATION CIRCUIT

Figure 13-1 : Booster Connection Diagram

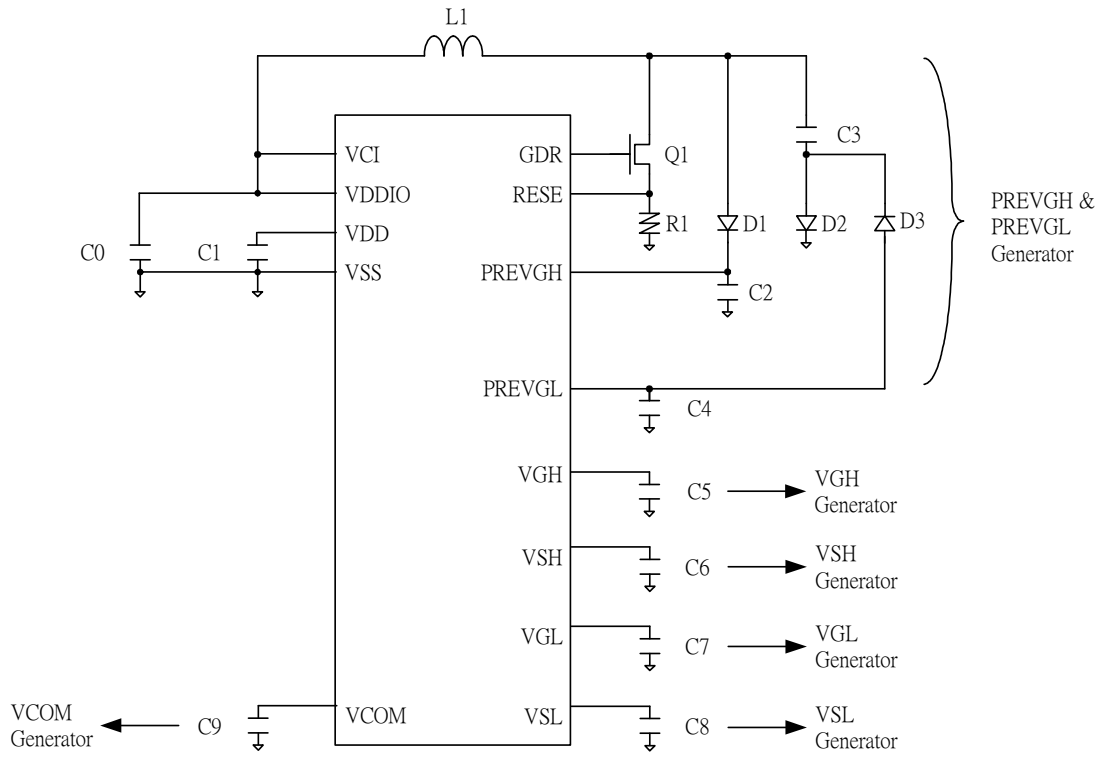




Figure 13-2 : Typical application diagram with SPI interface

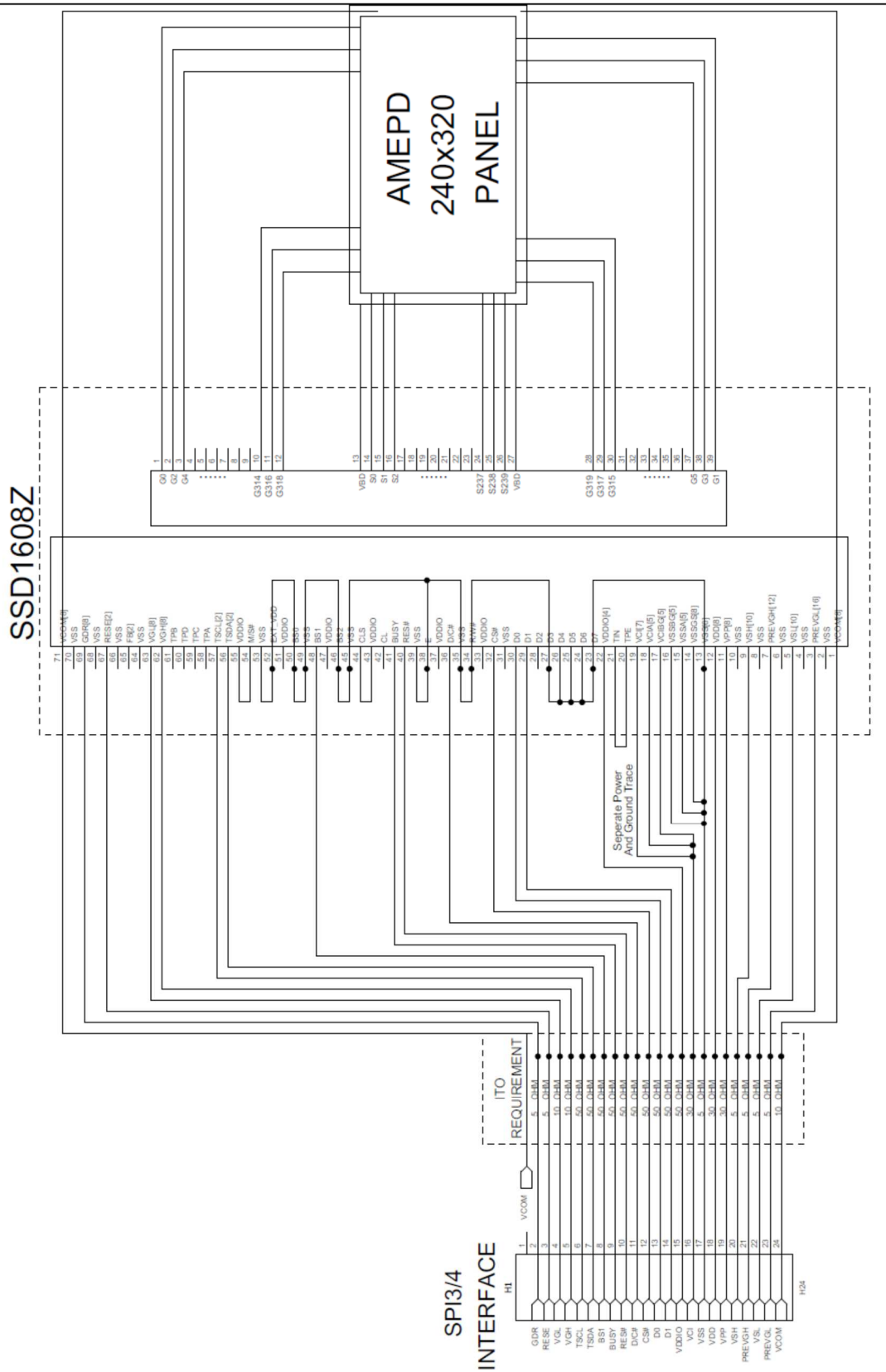




Table 13-1 : Reference Component Value

Part Name	Value	Max Volt. Rating [In V]	Pins Connected	MAX COG ITO resistance [in Ohm]
C0	1uF	6	VCI, VDDIO, VSS	5
C1	1uF	6	VDD, VSS	30
C2	1uF	50	PREVGH	5
C3	4.7uF	50	L1 and D2/D3	NA
C4	1uF	50	PREVGL	5
C5	1uF	25	VGH	10
C6	1uF	25	VSH	5
C7	1uF	25	VGL	10
C8	1uF	25	VSL	5
C9	1uF	6	VCOM	5
C10	10uF	6	VCI [Booster]	NA
C11	4.7uF	50	PREVGL [Booster]	NA
C12	1uF	50	PREVGH [Booster]	NA
C71	1uF	6	VCI [LM75A]	NA
L1	47uH			
Q1	NMOS [Vishay: Si1304BDL]		GDR, RESE	5
D1	Diode [OnSemi: MBR0530]		PREVGH	NA
D2	Diode [OnSemi: MBR0530]			NA
D3	Diode [OnSemi: MBR0530]		PREVGL, VSS	NA
R1	2.2 Ohm		RESE	5
R11	2.2kOhm			NA
R12	2.2kOhm			NA
U3	LM75A			NA

Remark: The Reference component value based on Command 0x0C, Data 0xCF,Data 0xCE,Data 0x8D sent before master activation [Command 0x20]



14 PACKAGE INFORMATION

14.1 DIE TRAY DIMENSIONS

Figure 14-1 IL3820C0 die tray information

