

ILA8138A

5.1V +12V REGULATOR WITH DISABLE AND RESET

The ILA8138A is a monolithic dual positive voltage regulator designed to provide fixed precision output voltages of 5.1V and 12V at currents up to 1A.

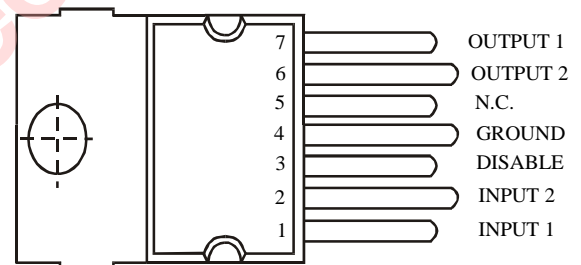
Output 2 can be disabled by TTL input.

Short circuit and thermal protections are included in all the versions.

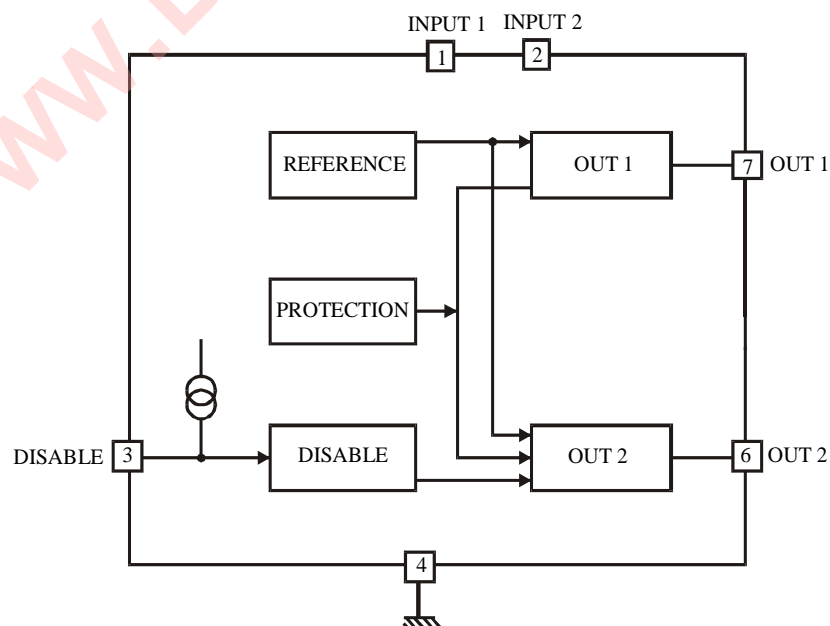
- Output currents up to 1 A
- Fixed precision OUTPUT 1 voltages 5.1 V \pm 2%
- Fixed precision OUTPUT 2 voltages 12 V \pm 2%
- OUTPUT 1 with RESET facility
- OUTPUT 2 with DISABLE by TTL input
- Short circuit protection at both outputs
- Thermal protection
- Low drop output voltage



PIN ASSIGNMENT



BLOCK DIAGRAM



MAXIMUM RATINGS*

Symbol	Parameter	Min	Max	Unit
V _{IN1}	DC Input Voltage Pin 1	0	20	V
V _{IN2}	DC Input Voltage Pin 2	0	20	V
V _{DIS}	Disable Input Voltage Pin 3	0	20	V
I _{O1,2}	Output Currents	0	1.6	A
T _{stg}	Storage Temperature	-65	150	°C
T _J	Junction Temperature	0	150	°C

*Maximum Ratings are those values beyond which damage to the device may occur. Functional operation should be restricted to the Recommended Operating Conditions.

RECOMMENDED OPERATING CONDITIONS

Symbol	Parameter	Min	Max	Unit
V _{IN1}	DC Input Voltage Pin 1	7.0	16	V
V _{IN2}	DC Input Voltage Pin 2	14	18	V
V _{DIS}	Disable Input Voltage Pin 3	0	7.0	V
I _{O1,2}	Output Currents	0	1.6	A
T _J	Junction Temperature	0	130	°C

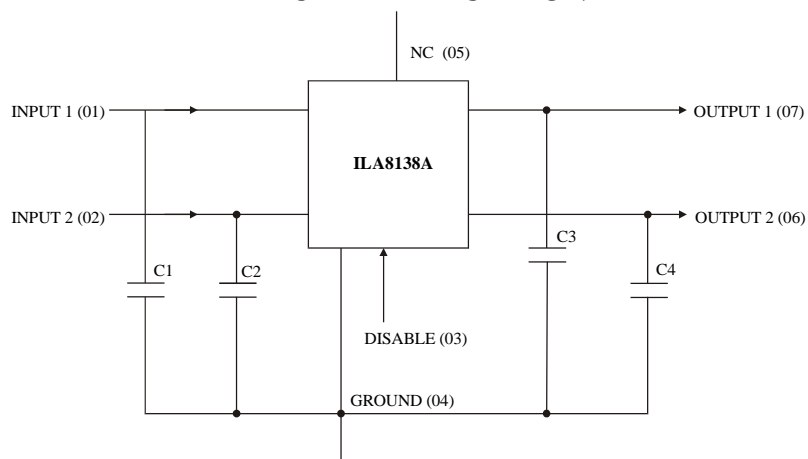
THERMAL DATA

Symbol	Parameter	Vvalue	Unit
R _{th(j-c)}	Maximum Thermal Resistance Junction-case	6	°C/W
R _{th(j-a)}	Maximum Thermal Resistance Junction-ambient	60	°C/W

ELECTRICAL CHARACTERISTICS ($V_{IN1} = 7\text{ V}$, $V_{IN2} = 14\text{ V}$, $T_J = 25^\circ\text{C}$, unless otherwise specified)

Symbol	Parameter	Test Conditions	Guaranteed Limit		Unit
			Min	Max	
V_{O1}	Output Voltage	$V_{IN1} = 7\text{ V}$, $I_{O1} = -10\text{ mA}$	5.0	5.2	V
V_{O2}		$V_{IN1} = 7\text{ V}$, $V_{IN2} = 14\text{ V}$, $I_{O2} = -10\text{ mA}$	11.76	12.24	V
V_{O1}		$-5\text{ mA} \leq I_{O2} \leq -750\text{ mA}$, $7\text{ V} \leq V_{IN1} \leq 14\text{ V}$	4.9	5.3	V
V_{O2}		$-5\text{ mA} \leq I_{O2} \leq -750\text{ mA}$, $14\text{ V} \leq V_{IN2} \leq 18\text{ V}$, $V_{IN1} = 7\text{ V}$	11.5	12.5	V
ΔV_{O1LI}	Line Regulation	$7\text{ V} \leq V_{IN2} \leq 14\text{ V}$, $I_{O1} = -200\text{ mA}$		50	mV
ΔV_{O2LI}		$14\text{ V} \leq V_{IN2} \leq 18\text{ V}$, $I_{O1} = -200\text{ mA}$, $V_{IN1} = 7\text{ V}$		120	
ΔV_{O1LO}	Load Regulation	$V_{IN1} = 7\text{ V}$, $-5\text{ mA} \leq I_{O1} \leq -0.6\text{ mA}$		100	mV
ΔV_{O2LO}		$V_{IN1} = 7\text{ V}$, $V_{IN2} = 14\text{ V}$, $-5\text{ mA} \leq I_{O2} \leq -0.6\text{ mA}$		250	
V_{IO1}	Dropout Voltage	$V_{IN1} = 7\text{ V}$, $I_{O1} = -750\text{ mA}$		1.4	V
		$V_{IN1} = 7\text{ V}$, $I_{O1} = -1.0\text{ mA}$		2.0	
V_{IO2}	Dropout Voltage	$V_{IN1} = 7\text{ V}$, $V_{IN2} = 14\text{ V}$, $I_{O1} = -750\text{ mA}$		1.4	V
		$V_{IN1} = 7\text{ V}$, $V_{IN2} = 14\text{ V}$, $I_{O1} = -1.0\text{ mA}$		2.0	
I_Q	Quiescent Current	$V_{IN1} = 7\text{ V}$, $V_{IN2} = 14\text{ V}$, $V_{DIS} = 0.8\text{ V}$, $I_{O1} = -10\text{ mA}$		2.0	mA
$I_{O1,2SC}$	Short Circuit Output Current	$V_{IN1} = 7\text{ V}$, $V_{IN2} = 14\text{ V}$		1.6	A
		$V_{IN1} = 16\text{ V}$, $V_{IN2} = 16\text{ V}$		1.0	
I_{DIS}	Disable Bias Current	$0\text{ V} \leq V_{DIS} \leq 7\text{ V}$, $V_{IN1} = 7\text{ V}$, $V_{IN2} = 14\text{ V}$	-100	2.0	μA
V_{DISH}	Disable Voltage High (out 2 active)	$V_{IN1} = 7\text{ V}$, $V_{IN2} = 14\text{ V}$	2		V
V_{DISL}	Disable Voltage Low (out 2 disabled)	$V_{IN1} = 7\text{ V}$, $V_{IN2} = 14\text{ V}$		0.8	V

TYPICAL APPLICATION



C1 to C4 = 10 μF

TO-220 AB/7

