

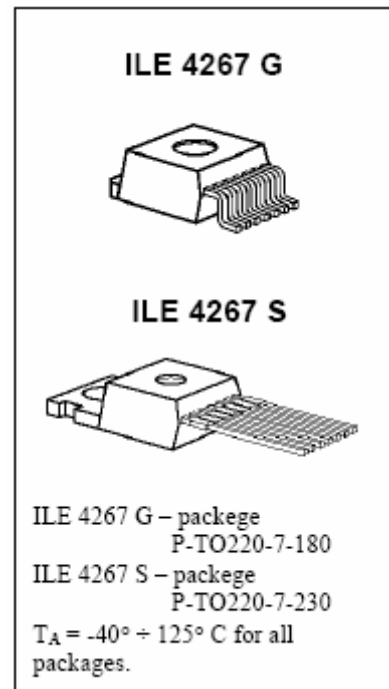
5-V Low-Drop Voltage Regulator

ILE4267

ILE 4267 is a 5-V low-drop voltage regulator in a TO220-7 package. It supplies an output current of > 400 mA. The IC is shortcircuit-proof and incorporates temperature protection that disables the IC at overtemperature.

Features

- Output voltage tolerance $\leq \pm 2\%$
- 400 mA output current capability
- Low-drop voltage
- Very low standby current consumption
- Input voltage up to 40 V
- Overvoltage protection up to 60 V (≤ 400 ms)
- Reset function down to 1 V output voltage
- ESD protection up to 2000 V
- Adjustable reset time
- On/off logic
- Overtemperature protection
- Reverse polarity protection
- Short-circuit proof
- Wide temperature range
- Suitable for use in automotive electronics



Application

The IC regulates an input voltage V_i in the range $5.5\text{ V} < V_i < 40\text{ V}$ to $V_{Q_{\text{rated}}} = 5.0\text{ V}$. A reset signal is generated for an output voltage V_Q of $< 4.5\text{ V}$. The reset delay can be set with an external capacitor. The device has two logic inputs. It is turned-ON by a voltage of $> 4\text{ V}$ on E2 by the ignition for example. It remains active as a function of the voltage on E6, even if the voltage on E2 goes Low. This makes it possible to implement a self-holding circuit without external components. When the device is turned-OFF, the output voltage drops to 0 V and current consumption tends towards 0 μA .

Design Notes for External Components

The input capacitor C_i is necessary for compensation line influences. The resonant circuit consisting of lead inductance and input capacitance can be damped by a resistor of approx. 1 Ω in series with C_i . The output capacitor is necessary for the stability of the regulating circuit. Stability is guaranteed at values of $\geq 22\ \mu\text{F}$ and an ESR of $\leq 3\ \Omega$ within the operating temperature range.

Circuit Description

The control amplifier compares a reference voltage, which is kept highly accurate by resistance adjustment, to a voltage that is proportional to the output voltage and drives the base of the series transistor via a buffer. Saturation control as a function of the load current prevents any over-saturating of the power element.

A comparator in the reset-generator block compares a reference that is independent of the input voltage to the scaled-down output voltage. If this reaches a value of 4.5 V, the reset-delay capacitor is discharged and then the reset output is set Low. As the output voltage increases again, the reset-delay capacitor is charged with constant current from $V_Q = 4.5$ V onwards. When the capacitor voltage reaches the upper switching threshold, reset goes High again. The reset delay can be set within wide range by selection of the external capacitor. With the integrated tum-ON/tum-OFF logic it is simple to implement delayed tum-OFF without external components.

Truth Table for Turn-ON/Turn-OFF Logic

E2, Inhibit	Hold	V_Q	Remarks
L	X	OFF	Initial state. Inhibit internally pulled up
H	X	ON	Regulator switched on via Inhibit, by ignition for example
H	L	ON	Hold clamped active to ground by controller while Inhibit is still high
X	L	ON	Previous state remains, even ignition is shut off: self-holding state
L	L	ON	Ignition shut off while regulator is in self-holding state
L	H	OFF	Regulator shut down by releasing of Hold while Inhibit remains Low, final state. No active clamping required by external self-holding circuit (μ C) to keep regulator shut off.

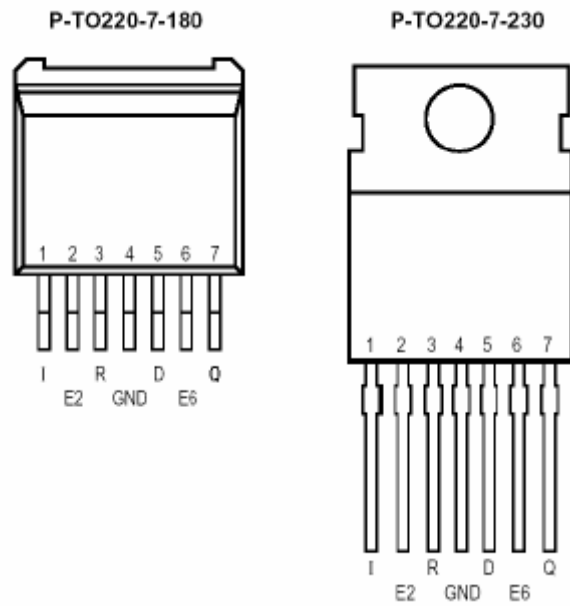
Inhibit: E2 Enable function, active High

Hold: E6 Hold and release function, active Low

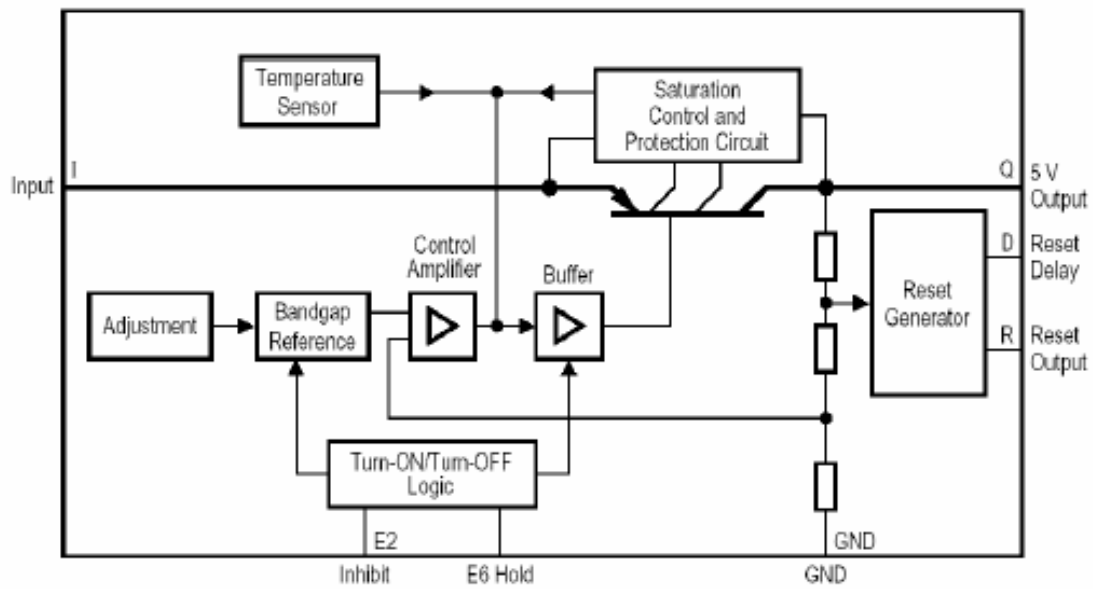
Pin Definitions and Functions

Pin	Symbol	Function
1	I	Input ; block to ground directly at the IC by a ceramic capacitor
2	E2	Inhibit ; device is turned-ON by High signal on this pin; internal pulldown resistor of 100 k Ω
3	R	Reset Output ; open-collector output internally connected to the output via a resistor of 30 k Ω
4	GND	Ground ; connected to rear of chip
5	D	Reset Delay ; connect with capacitor to GND for setting delay
6	E6	Hold ; see truth table above for function; this input is connected to output voltage across pullup resistor of 50 k Ω
7	Q	5-V Output ; block to GND with 22- μ F capacitor, ESR < 3 Ω

Pin Configuration
(top view)



Block Diagram



Absolute Maximum Ratings

T_J = -40 to 150°C

Parameter	Symbol	Limit Values		Unit	Notes
		min.	max.		
Input					
Voltage	V _i	-42	42	V	-
Voltage	V _i	-	60	V	t ≤ 400 ms
Current	I _i	-	-	-	Limited internally
Reset Output					
Voltage	V _R	-0.3	7	V	-
Current	I _R	-	-	-	Limited internally
Reset Delay					
Voltage	V _d	-0.3	42	V	-
Current	I _d	-	-	-	-
Output					
Voltage	V _Q	-0.3	7	V	-
Current	I _Q	-	-	-	Limited internally
Inhibit					
Voltage	V _{E2}	-42	42	V	-
Current	I _{E2}	-5	5	mA	t ≤ 400 ms
Hold					
Voltage	V _{E6}	-0.3	7	V	-
Current	I _{E6}	-	-	mA	Limited internally
GND					
Current	I _{GND}	-0.5	-	A	-
Temperatures					
Junction temperature	T _J	-	150	°C	-
Storage temperature	T _{stg}	-50	150	°C	-

Operating Range

Parameter	Symbol	Limit Values		Unit	Notes
		min.	max.		
Input voltage	V_i	5.5	40	V	see diagram
Junction temperature	T_J	-40	150	°C	-

Electrical Characteristics

$V_i = 13.5 \text{ V}$; $-40 \text{ °C} < T_J < 125 \text{ °C}$; $V_{E2} > 4 \text{ V}$ (unless specified otherwise)

Parameter	Symbol	Limit Values			Unit	Test Condition
		min.	typ.	max.		
Output voltage	V_Q	4.9	5	5.1	V	$5 \text{ mA} \leq I_Q \leq 400 \text{ mA}$ $6 \text{ V} \leq V_i \leq 26 \text{ V}$
Output voltage	V_Q	4.9	5	5.1	V	$5 \text{ mA} \leq I_Q \leq 150 \text{ mA}$ $6 \text{ V} \leq V_i \leq 40 \text{ V}$
Output-current limiting	I_Q	500	-	-	mA	$T_J = 25 \text{ °C}$
Current consumption $I_q = I_i - I_Q$	I_q	—	—	50	μA	Regulator-OFF
Current consumption $I_q = I_i - I_Q$	I_q	—	1.0	10	mA	$T_J = 25 \text{ °C}$ IC turned off
Current consumption $I_q = I_i - I_Q$	I_q	—	1.3	4	mA	$I_Q = 5 \text{ mA}$ IC turned on
Current consumption $I_q = I_i - I_Q$	I_q	—	—	60	mA	$I_Q = 400 \text{ mA}$
Current consumption $I_q = I_i - I$	I_q	—	—	80	mA	$I_Q = 400 \text{ mA}$ $V_i = 5 \text{ V}$
Drop voltage	V_{Dr}	-	0.3	0.6	V	$I_Q = 400 \text{ mA}_1$
Load regulation	ΔV_Q	-	-	50	mV	$5 \text{ mA} \leq I_Q \leq 400 \text{ mA}$
Supply-voltage regulation	ΔV_Q	—	15	25	mV	$V_i = 6 \text{ to } 36 \text{ V}$; $I_Q = 5 \text{ mA}$
Supply-voltage rejection	SVR	—	54	—	dB	$F_r = 100 \text{ Hz}$; $V_r = 0.5 \text{ V}_{pp}$
Longterm stability	ΔV_Q	-	0	-	mV	1000 h

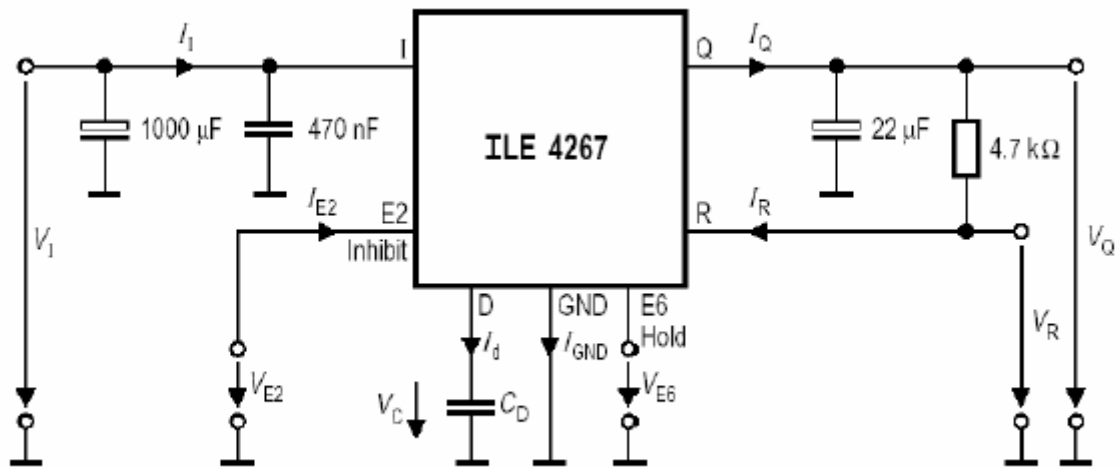
1) Drop voltage = $V_i - V_Q$ (measured when the output voltage V_Q has dropped 100 mV from the nominal value obtained at $V_i = 13.5 \text{ V}$)

Electrical Characteristics (cont'd)

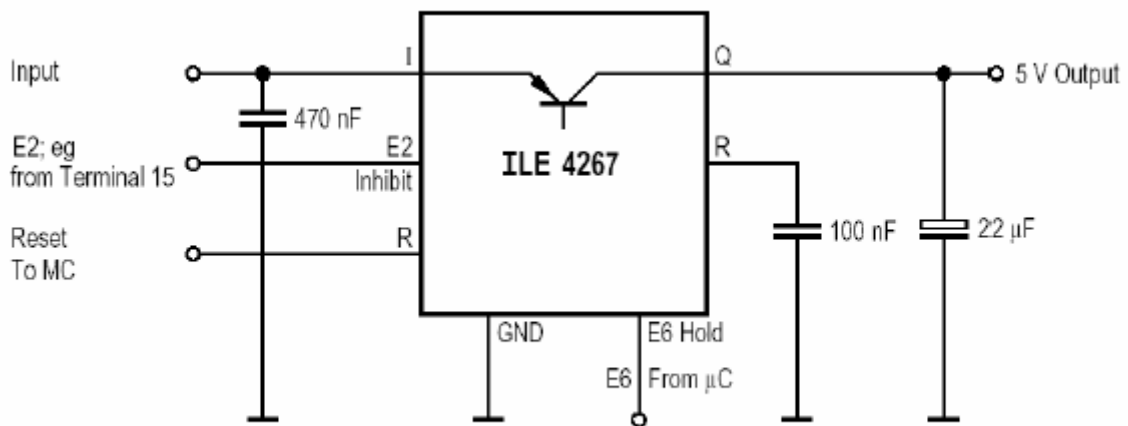
Parameter	Symbol	Limit Values			Unit	Test Condition
		min.	typ.	max.		
Reset Generator						
Switching threshold	Vn	4.2	4.5	4.8	V	-
Reset High level	-	4.5	-	-	V	R _{ext} = ∞
Saturation voltage	V _R	-	0.1	0.4	V	R _R = 4.7 kΩ ₁₎
Pullup	R _R	-	30	-	kΩ	-
Saturation voltage	V _{D,sat.}	-	50	100	mV	V _Q < V _{RT}
Charge current	I _d	8	15	25	μA	V _D = 1.5V
Delay switching threshold	V _{dt}	2.6	3	3.3	V	-
Delay	t _d	-	20	-	ms	C _d = 100nF
Switching threshold	V _{st}	-	0.43	-	V	-
Delay	t _t	-	2	-	μs	C _d = 100nF
Inhibit						
Turn-ON voltage	V _{E2}	-	3	4	V	IC turned-ON
Turn-OFF voltage	V _{E2}	2	-	-	V	IC turned-OFF
Pulldown	R _{E2}	50	100	200	kΩ	-
Hysteresis	ΔV _{E2}	0.2	0.5	0.8	V	-
Input current	I _{E2}	-	35	100	μA	V _{IP2} = 4 V
Holding voltage	V _{E6}	30	35	40	%	Referred to V _Q
Turn-OFF voltage	V _{E6}	60	70	80	%	Referred to V _Q
Pullup	R _{E6}	20	50	100	kΩ	-
Overvoltage Protection						
Turn-OFF voltage	V _{i, ov}	42	44	46	V	-
Turn-ON hysteresis	ΔV _{i, ov}	2	-	6	V	-

1) The reset output is Low between V_Q = 1 V and V_{RT}

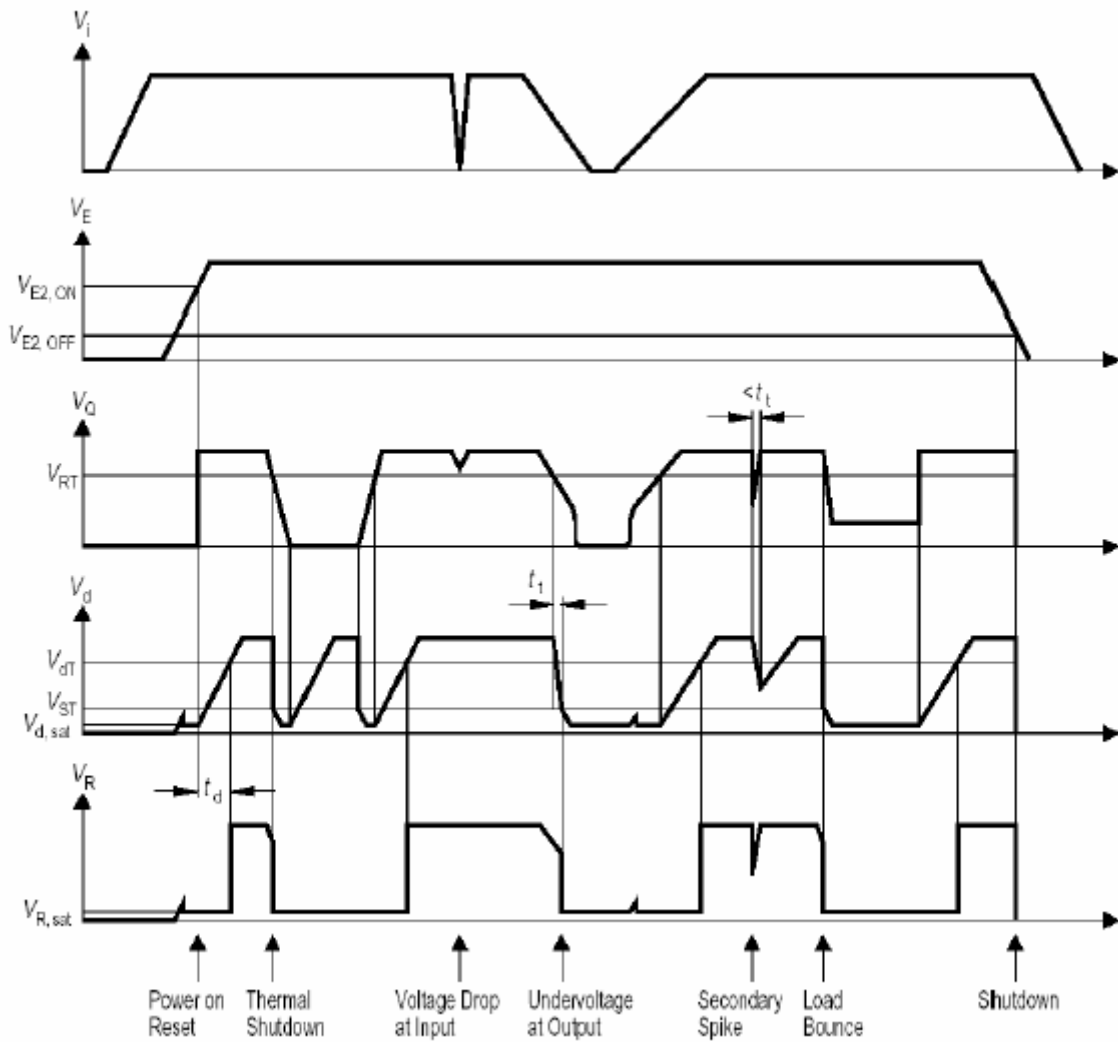
Test Circuit



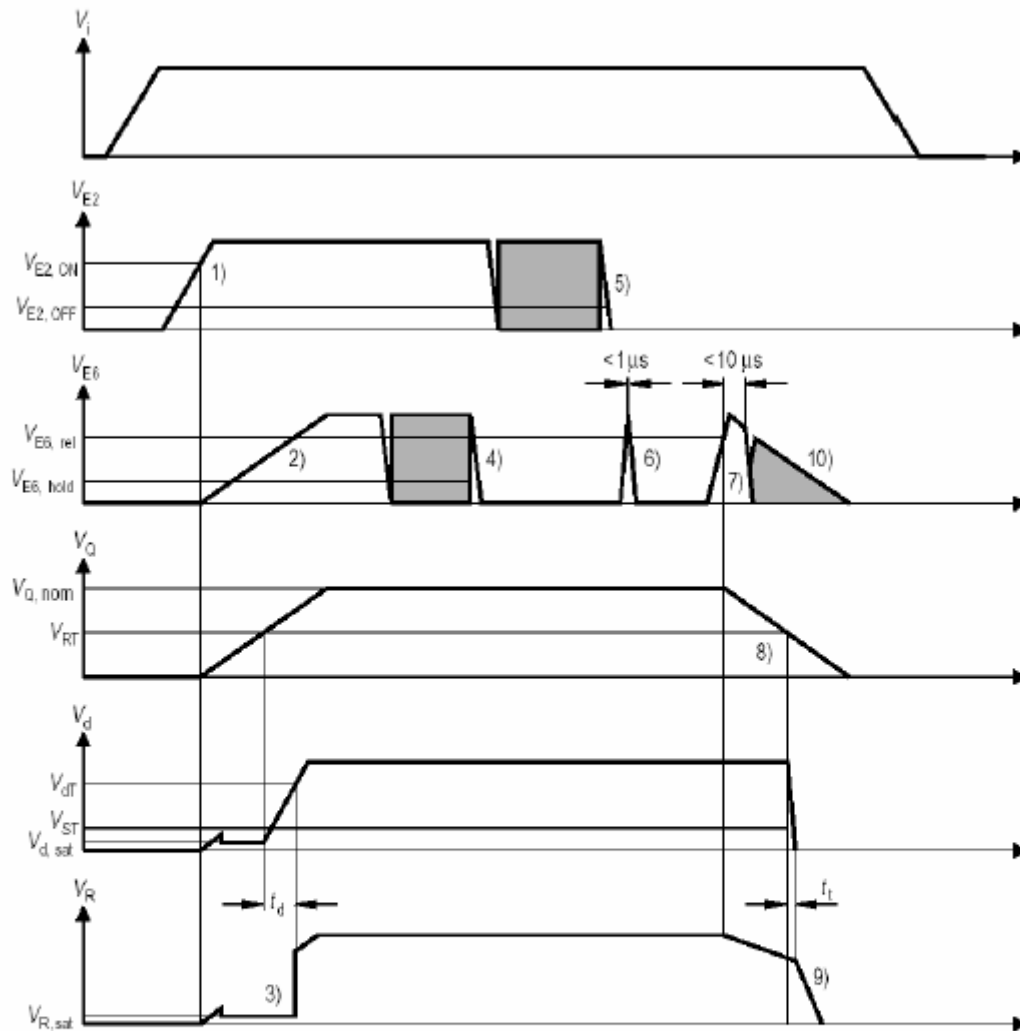
Application Circuit



Time Response



Enable and Hold Behaviour

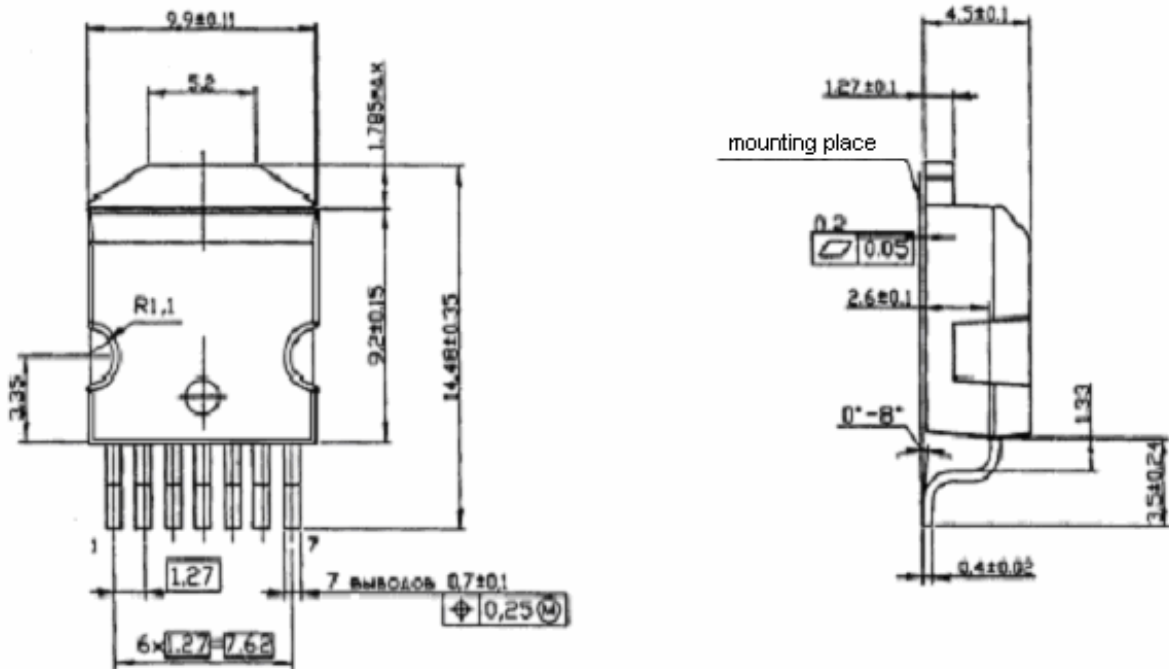


- | | |
|---|---|
| <ul style="list-style-type: none"> 1) Enable active 2) Hold inactive, pulled up by V_O 3) Power-ON reset 4) Hold active, clamped to GND by external μC 5) Enable inactive, clamped by int. pull-down resistor | <ul style="list-style-type: none"> 6) Pulse width smaller than 1 μs 7) Hold inactive, released by μC 8) Voltage controller shutdown 9) Output-low reset 10) No switch on via V_{E6} possible after $E6$ was released to $V_{E6} > V_{E6,rel}$ for more than 4 μs |
|---|---|

Package Dimensions

ILE4267G

P-TO 220-7-180



ILE4267S

P-TO 220-7-230

