

IL series

Sealed pushbutton switches for thick panels - long bushing \varnothing 12 mm - momentary

Distinctive features and specifications



- Momentary pushbuttons for thick panels
- Illuminated or non-illuminated
- Tactile feedback
- Flat round actuator for optional marking
- Sealed to IP67

ENVIRONMENTAL SPECIFICATIONS

- Front panel sealing : IP67 according to IEC 60529
- Shock resistance : 100 g according to IEC 512-4, test 6c
- Vibration resistance : 10-500 Hz - 10 g according to IEC 512-4, test 6d
- Salt spray : IEC 512-6, test 11f
- Operating temperature : -40°C to +85°C

MATERIALS

- Case : thermoplastic UL94-V0
- Actuator : polyamide 6/6
- Bushing/bezel : polyamide 6/6
- Contacts : brass, gold plated
- Terminal seal : epoxy

ELECTRICAL SPECIFICATIONS

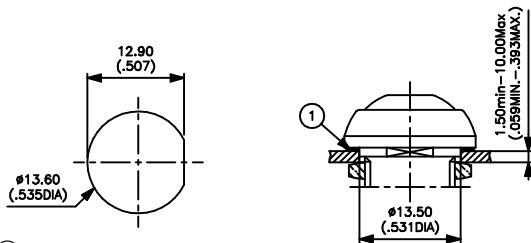
- Max. current/voltage rating with resistive load : 50mA 12VDC
- Initial contact resistance : 50 m Ω max.
- Insulation resistance : 1 G Ω min. at 500VDC
- Dielectric strength : 1.000 Vrms
- Electrical life at full load : 500.000 cycles

GENERAL SPECIFICATIONS

- Panel thickness : 1,50 mm (.059) min. - 10 mm (.393) max.
- Total travel : 1,7 mm (.067) +/- 0,3 mm
- Typical operating force : 4N +/- 2N
- Mechanical life : 1.000.000 cycles
- Torque : 1 Nm max. applied to nut
- Soldering : 300°C max. for 3 seconds

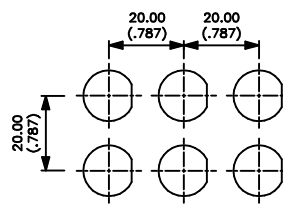
MOUNTING

Panel cut-out

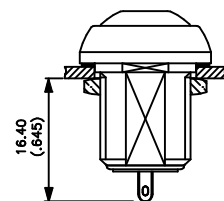


① Flat seal

Matrix mounting



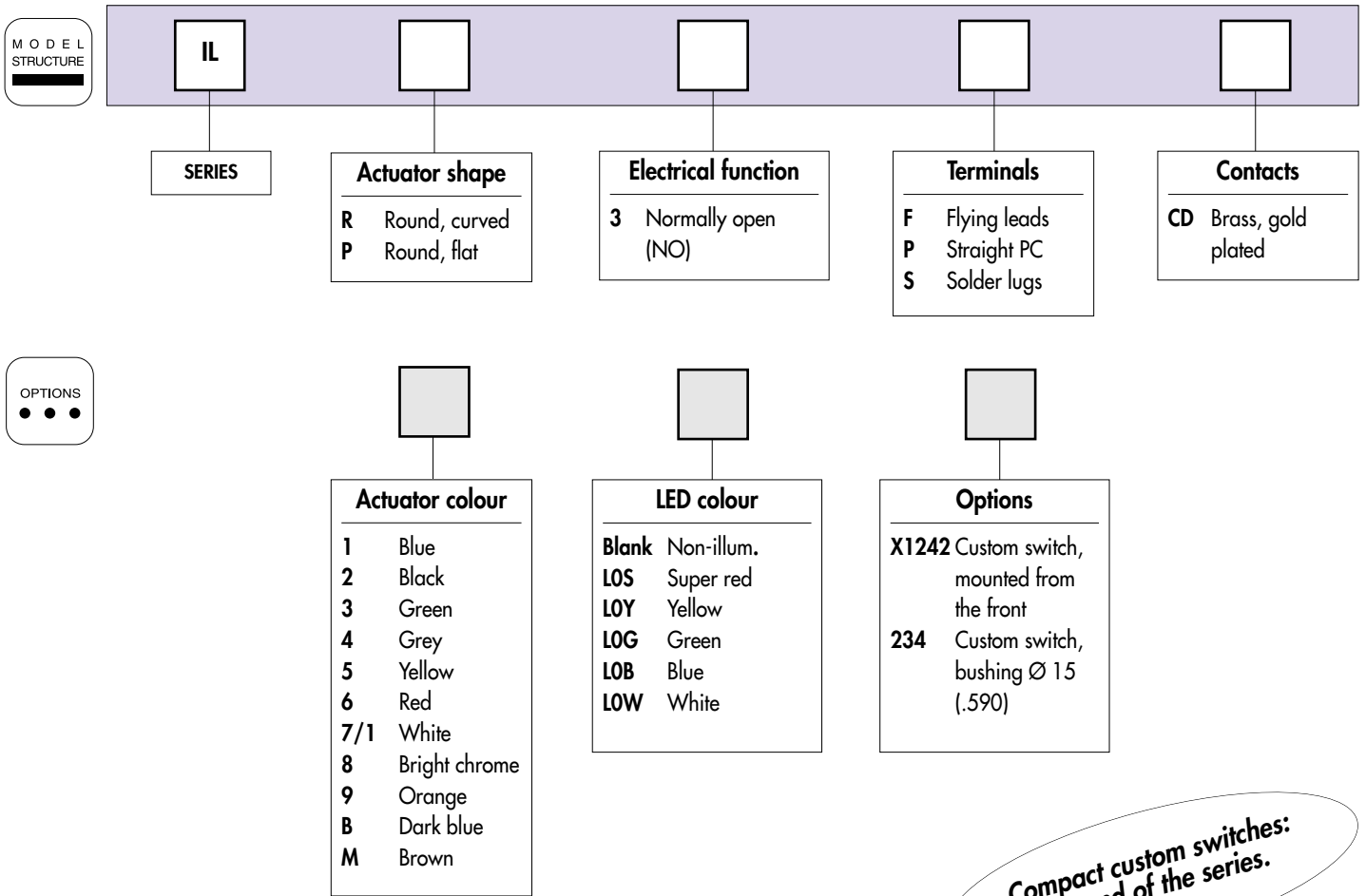
Back of panel space requirement



IL series

Sealed pushbutton switches for thick panels - long bushing Ø 12 mm - momentary

Overview



Compact custom switches:
see end of the series.

ABOUT THIS SERIES

On the following pages, you will find successively :

- model structure of switches and options in the same order as in above chart

Dimensions : first dimensions are in mm while inches are shown as bracketed numbers.



NOTICE : please note that not all combinations of above numbers are available. Refer to the following pages for further information.



Mounting accessories : Standard hardware supplied : 1 flat seal and 1 hex nut 14 mm (.551) across flats. Hex nut part number U166.

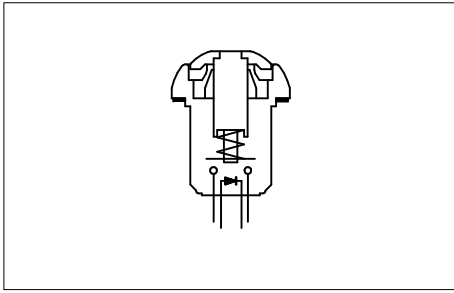


Packaging unit : 25 pieces

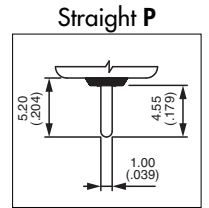
IL series

Sealed pushbutton switches for thick panels - long bushing \varnothing 12 mm - momentary

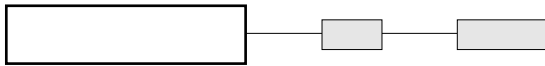
Illuminated



- Curved or flat actuator
- Antitrotation bushing



MODEL STRUCTURE

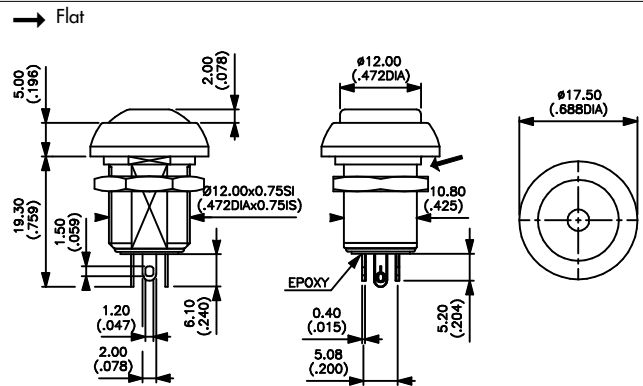


Actuator marking available on ILP models (symbol 10 mm max.). On request.

Solder lug terminals



- Curved actuator
ILR3SCD Normally open
- Flat actuator
ILP3SCD Normally open

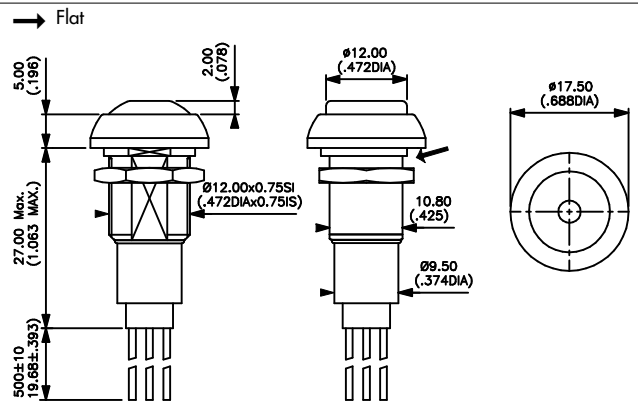


Also available with straight PC terminals : **IL•3PAD**

Flying lead terminals



- Curved actuator
ILR3FCD Normally open
- Flat actuator
ILP3FCD Normally open

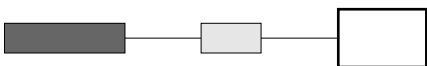


ACTUATOR COLOUR



1 : blue - 2 : black - 3 : green - 4 : grey - 5 : yellow - 6 : red - 7/1 : white - 8 : bright chrome
9 : orange - B : dark blue - M : brown

LED COLOUR

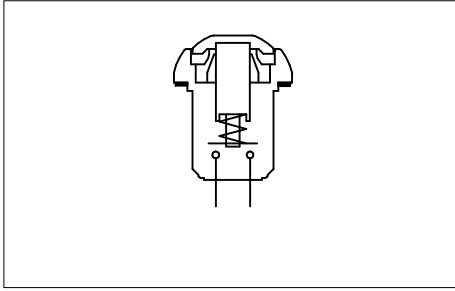


LOS : red - LOY : yellow - LOG : green - LOB : blue - LOW : white

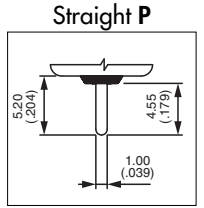
IL series

Sealed pushbutton switches for thick panels - long bushing \varnothing 12 mm - momentary

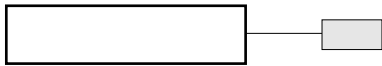
Non-illuminated



- Curved or flat actuator
- Antirootation bushing



MODEL STRUCTURE

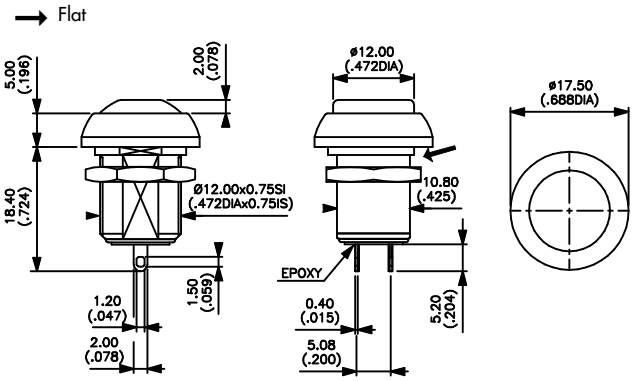


Actuator marking available on ILP models (symbol 10 mm max.). On request.

Solder lug terminals



- Curved actuator
ILR3SCD Normally open
- Flat actuator
ILP3SCD Normally open

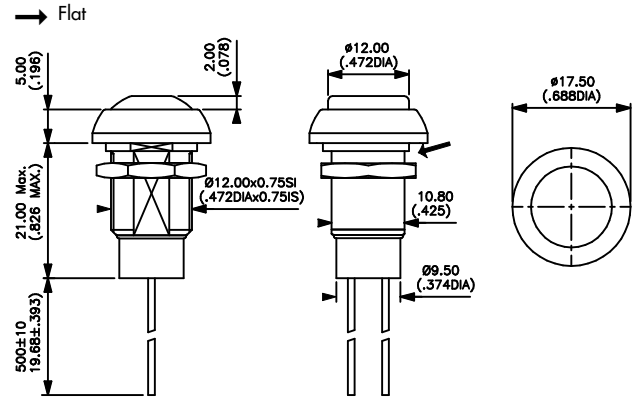


Also available with straight PC terminals : **IL•3PAD**

Flying lead terminals



- Curved actuator
ILR3FCD Normally open
- Flat actuator
ILP3FCD Normally open



ACTUATOR COLOUR



- 1 : blue - 2 : black - 3 : green - 4 : grey - 5 : yellow - 6 : red - 7/1 : white - 8 : bright chrome
9 : orange - B : dark blue - M : brown

IL series

Sealed pushbutton switches for thick panels - long bushing Ø 12 mm - momentary

Custom switches

Custom switch for compact matrix mounting



ILP3FCD...X1242

- **Mounting from the front into a threaded panel cut-out**
- Matrix mounting : 16 x 16 mm (.630x.630)
- Illuminated or non-illuminated
- Same terminal options and colours as standard models
- Part numbers on request.

Custom switch for compact matrix mounting



ILP3SCD...234

- **Standard panel mounting**
- Bushing Ø 15 mm (.590)
- Matrix mounting : 18 x 18 mm (.708x.708)
- Illuminated or non-illuminated
- Same terminal options and colours as standard models
- Part numbers on request.