

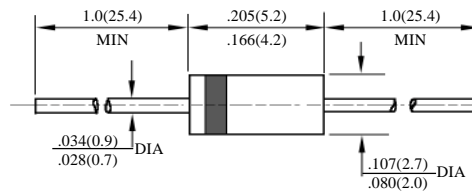
1N4933 – 1N4937

1A 快速二极管  
1A FAST RECOVERY DIODES

型号 TYPE	最大反向峰值电压 Maximum Peak Reverse Voltage	最大平均正向电流 Maximum Average Rectified Current @ Half-Wave Resistive Load 60Hz		最大正向浪涌电流 Maximum Forward Peak Surge Current @ 8.3ms Superimposed	最大反向漏电流 Maximum Reverse Current @ PRV @ T <sub>A</sub> =25°C	最大正向电压 Maximum Forward Voltage @ T <sub>A</sub> =25°C		最大反向恢复时间 Maximum Reverse Recovery Time	外型尺寸 Package Dimensions
	PRV	I <sub>O</sub> @ T <sub>L</sub>	°C	I <sub>FM</sub> (Surge)	I <sub>R</sub>	I <sub>FM</sub>	V <sub>FM</sub>	T <sub>rr</sub>	
	V <sub>PK</sub>	A <sub>AV</sub>		A <sub>PK</sub>	μA <sub>dc</sub>	A <sub>PK</sub>	V <sub>PK</sub>	ns	
1N4933	50	1.0	75	30	5.0	1.0	1.2	150	DO-41
1N4934	100								
1N4935	200								
1N4936	400								
1N4937	600								

T<sub>rr</sub>测试条件: I<sub>F</sub> = 0.5A, I<sub>R</sub> = 1.0A, I<sub>RR</sub> = 0.25A

T<sub>rr</sub> Test Conditions: I<sub>F</sub> = 0.5A, I<sub>R</sub> = 1.0A, I<sub>RR</sub> = 0.25A



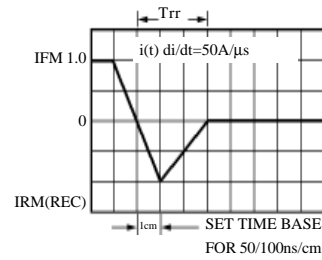
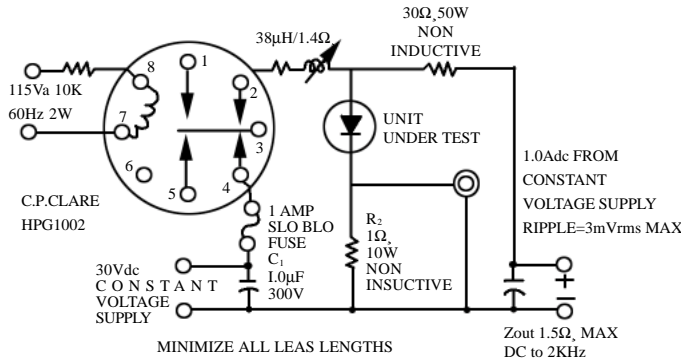
DO - 41

# 1N4933 – 1N4937

## 快速二极管额定值与特性曲线

### RATING & CHARACTERISTIC CURVES OF FAST RECOVERY DIODES

FIG.1 - TEST CIRCUIT DIAGRAM AND REVERSE RECOVERY TIME CHARACTERISTIC



A TEKTRONIX 545A.K PLUG IN PRE AMP P6000 PROBE OR EQUIVALENT  
 R<sub>1</sub> ADJUSTED FOR 1.4 Ω, BETWEEN POINT 2 OF RELAY AND RECTIFIER INDUCTIVE = 38µH  
 R<sub>2</sub> TEN 1W 10% CARBON CORE IN PARALLEL  
 T<sub>A</sub> 25<sup>±10</sup>°C FOR RECTIFIER

FIG. 2 – TYPICAL FORWARD CURRENT DERATING CURVE

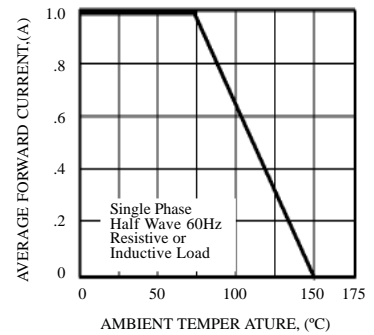


FIG. 3 - TYPICAL INSTANTANEOUS FORWARD CHARACTERISTICS

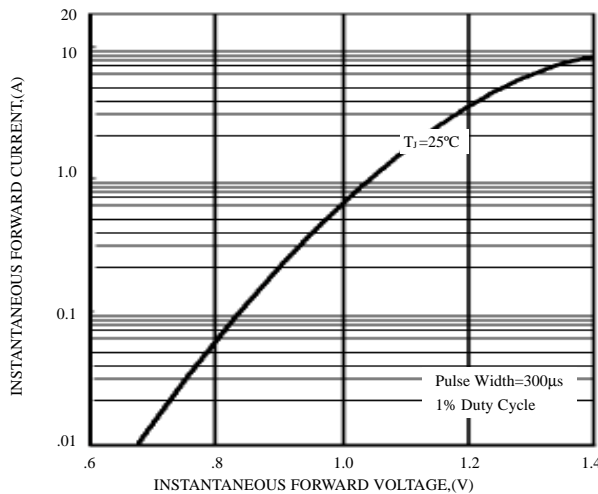


FIG. 4 - MAXIMUM NON-REPETITIVE FOWARD SURGE CURRENT

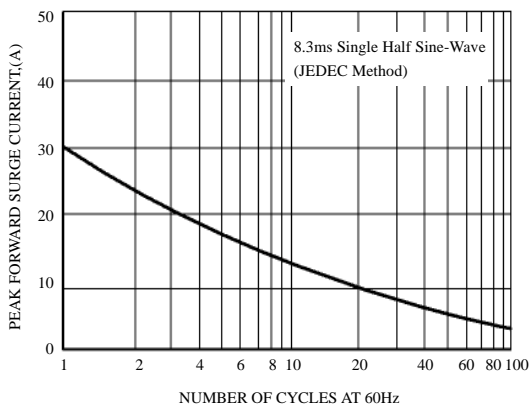


FIG. 5 - TYPICAL JUNCTION CAPACITANCE

