

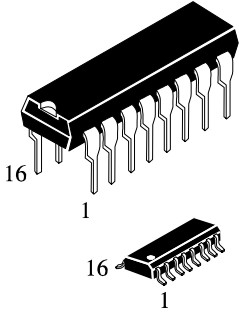
**IN74AC157**

**Quad 2-Input Data Selector/Multiplexer  
High-Speed Silicon-Gate CMOS**

The IN74AC157 is identical in pinout to the LS/ALS157, HC/HCT157. The device inputs are compatible with standard CMOS outputs; with pullup resistors, they are compatible with LS/ALS outputs.

This device routes 2 nibbles (A or B) to a single port (Y) as determined by the Select input. The data is presented at the outputs in noninverted form. A high level on the Output Enable input sets all four Y outputs to a low level.

- Outputs Directly Interface to CMOS, NMOS, and TTL
- Operating Voltage Range: 2.0 to 6.0 V
- Low Input Current: 1.0  $\mu$ A; 0.1 $\mu$ A @ 25°C
- High Noise Immunity Characteristic of CMOS Devices
- Outputs Source/Sink 24 mA

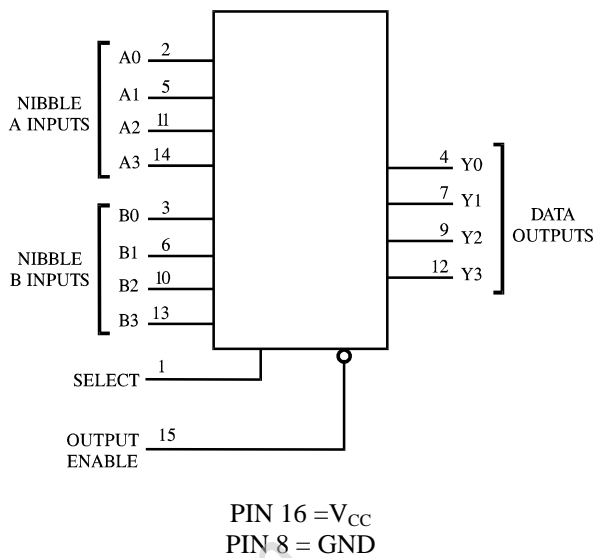


N SUFFIX  
PLASTIC

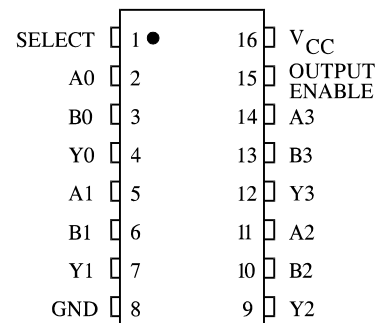
D SUFFIX  
SOIC

**ORDERING INFORMATION**  
IN74AC157N Plastic  
IN74AC157D SOIC  
 $T_A = -40^\circ$  to  $85^\circ$  C for all packages

**LOGIC DIAGRAM**



**PIN ASSIGNMENT**



**FUNCTION TABLE**

| Inputs        |        | Outputs<br>Y0-Y3 |
|---------------|--------|------------------|
| Output Enable | Select |                  |
| H             | X      | L                |
| L             | L      | A0-A3            |
| L             | H      | B0-B3            |

X=don't care  
A0-A3,B0-B3=the levels of the respective Data-Word Inputs

**MAXIMUM RATINGS\***

| Symbol           | Parameter  | Value                        | Unit |
|------------------|--|------------------------------|------|
| V <sub>CC</sub>  | DC Supply Voltage (Referenced to GND)  | -0.5 to +7.0                 | V    |
| V <sub>IN</sub>  | DC Input Voltage (Referenced to GND)   | -0.5 to V <sub>CC</sub> +0.5 | V    |
| V <sub>OUT</sub> | DC Output Voltage (Referenced to GND)  | -0.5 to V <sub>CC</sub> +0.5 | V    |
| I <sub>IN</sub>  | DC Input Current, per Pin  | ±20                          | mA   |
| I <sub>OUT</sub> | DC Output Sink/Source Current, per Pin   | ±50                          | mA   |
| I <sub>CC</sub>  | DC Supply Current, V <sub>CC</sub> and GND Pins                                  | ±50                          | mA   |
| P <sub>D</sub>   | Power Dissipation in Still Air, Plastic DIP+<br>SOIC Package+                    | 750<br>500                   | mW   |
| T <sub>stg</sub> | Storage Temperature  | -65 to +150                  | °C   |
| T <sub>L</sub>   | Lead Temperature, 1 mm from Case for 10 Seconds<br>(Plastic DIP or SOIC Package) | 260                          | °C   |

\*Maximum Ratings are those values beyond which damage to the device may occur. Functional operation should be restricted to the Recommended Operating Conditions.

+Derating - Plastic DIP: - 10 mW/°C from 65° to 125°C

SOIC Package: - 7 mW/°C from 65° to 125°C

**RECOMMENDED OPERATING CONDITIONS**

| Symbol                             | Parameter   | Min  | Max                  | Unit |
|------------------------------------|---|--|----------------------|------|
| V <sub>CC</sub>                    | DC Supply Voltage (Referenced to GND)                 | 2.0  | 6.0                  | V    |
| V <sub>IN</sub> , V <sub>OUT</sub> | DC Input Voltage, Output Voltage (Referenced to GND)  | 0  | V <sub>CC</sub>      | V    |
| T <sub>J</sub>                     | Junction Temperature (PDIP)                           |  | 140                  | °C   |
| T <sub>A</sub>                     | Operating Temperature, All Package Types              | -40  | +85                  | °C   |
| I <sub>OH</sub>                    | Output Current - High                                 |  | -24                  | mA   |
| I <sub>OL</sub>                    | Output Current - Low                                  |  | 24                   | mA   |
| t <sub>r</sub> , t <sub>f</sub>    | Input Rise and Fall Time *<br>(except Schmitt Inputs) | V <sub>CC</sub> =3.0 V<br>V <sub>CC</sub> =4.5 V<br>V <sub>CC</sub> =5.5 V | 0<br>150<br>40<br>25 | ns/V |

\* V<sub>IN</sub> from 30% to 70% V<sub>CC</sub>

This device contains protection circuitry to guard against damage due to high static voltages or electric fields. However, precautions must be taken to avoid applications of any voltage higher than maximum rated voltages to this high-impedance circuit. For proper operation, V<sub>IN</sub> and V<sub>OUT</sub> should be constrained to the range GND ≤ (V<sub>IN</sub> or V<sub>OUT</sub>) ≤ V<sub>CC</sub>.

Unused inputs must always be tied to an appropriate logic voltage level (e.g., either GND or V<sub>CC</sub>). Unused outputs must be left open.

**DC ELECTRICAL CHARACTERISTICS** (Voltages Referenced to GND)

| Symbol           | Parameter                                      | Test Conditions   | V <sub>CC</sub><br>V | Guaranteed Limits |               | Unit |
|------------------|--|---|----------------------|-------------------|---------------|------|
|                  |  |   |                      | 25 °C             | -40°C to 85°C |      |
| V <sub>IH</sub>  | Minimum High-Level Input Voltage               | V <sub>OUT</sub> =0.1 V or V <sub>CC</sub> -0.1 V                               | 3.0                  | 2.1               | 2.1           | V    |
|                  |  |   | 4.5                  | 3.15              | 3.15          |      |
|                  |  |   | 5.5                  | 3.85              | 3.85          |      |
| V <sub>IL</sub>  | Maximum Low - Level Input Voltage              | V <sub>OUT</sub> =0.1 V or V <sub>CC</sub> -0.1 V                               | 3.0                  | 0.9               | 0.9           | V    |
|                  |  |   | 4.5                  | 1.35              | 1.35          |      |
|                  |  |   | 5.5                  | 1.65              | 1.65          |      |
| V <sub>OH</sub>  | Minimum High-Level Output Voltage              | I <sub>OUT</sub> ≤ -50 μA   | 3.0                  | 2.9               | 2.9           | V    |
|                  |  |   | 4.5                  | 4.4               | 4.4           |      |
|                  |  |   | 5.5                  | 5.4               | 5.4           |      |
|                  |  | *V <sub>IN</sub> =V <sub>IH</sub> or V <sub>IL</sub><br>I <sub>OH</sub> =-12 mA | 3.0                  | 2.56              | 2.46          |      |
|                  |  | I <sub>OH</sub> =-24 mA<br>I <sub>OH</sub> =-24 mA                              | 4.5                  | 3.86              | 3.76          |      |
| 5.5              | 4.86   | 4.76  |                      |                   |               |      |
| V <sub>OL</sub>  | Maximum Low-Level Output Voltage               | I <sub>OUT</sub> ≤ 50 μA  | 3.0                  | 0.1               | 0.1           | V    |
|                  |  |   | 4.5                  | 0.1               | 0.1           |      |
|                  |  |   | 5.5                  | 0.1               | 0.1           |      |
|                  |  | *V <sub>IN</sub> =V <sub>IH</sub> or V <sub>IL</sub><br>I <sub>OL</sub> =12 mA  | 3.0                  | 0.36              | 0.44          |      |
|                  |  | I <sub>OL</sub> =24 mA<br>I <sub>OL</sub> =24 mA                                | 4.5                  | 0.36              | 0.44          |      |
| 5.5              | 0.36   | 0.44  |                      |                   |               |      |
| I <sub>IN</sub>  | Maximum Input Leakage Current                  | V <sub>IN</sub> =V <sub>CC</sub> or GND   | 5.5                  | ±0.1              | ±1.0          | μA   |
| I <sub>OLD</sub> | +Minimum Dynamic Output Current                | V <sub>OLD</sub> =1.65 V Max  | 5.5                  |                   | 75            | mA   |
| I <sub>OHD</sub> | +Minimum Dynamic Output Current                | V <sub>OHD</sub> =3.85 V Min  | 5.5                  |                   | -75           | mA   |
| I <sub>CC</sub>  | Maximum Quiescent Supply Current (per Package) | V <sub>IN</sub> =V <sub>CC</sub> or GND   | 5.5                  | 8.0               | 80            | μA   |

\* All outputs loaded; thresholds on input associated with output under test.

+Maximum test duration 2.0 ms, one output loaded at a time.

Note: I<sub>IN</sub> and I<sub>CC</sub> @ 3.0 V are guaranteed to be less than or equal to the respective limit @ 5.5 V V<sub>CC</sub>

**AC ELECTRICAL CHARACTERISTICS** ( $C_L=50\text{pF}$ , Input  $t_r=t_f=3.0\text{ ns}$ )

| Symbol    | Parameter   | $V_{CC}^*$<br>V                      | Guaranteed Limits |             |               |              | Unit |
|-----------|---|--------------------------------------|-------------------|-------------|---------------|--------------|------|
|           |   |                                      | 25 °C             |             | -40°C to 85°C |              |      |
|           |   |                                      | Min               | Max         | Min           | Max          |      |
| $t_{PLH}$ | Propagation Delay, Input A or B to Output Y (Figure 1)  | 3.3<br>5.0                           | 1.5<br>1.5        | 8.5<br>6.5  | 1.0<br>1.0    | 9.0<br>7.0   | ns   |
| $t_{PHL}$ | Propagation Delay, Input A or B to Output Y (Figure 1)  | 3.3<br>5.0                           | 1.5<br>1.5        | 8.0<br>6.5  | 1.0<br>1.0    | 9.0<br>7.0   | ns   |
| $t_{PLH}$ | Propagation Delay, Select to Output Y (Figure 2)        | 3.3<br>5.0                           | 1.5<br>1.5        | 11.5<br>9.0 | 1.5<br>1.5    | 13.0<br>10.0 | ns   |
| $t_{PHL}$ | Propagation Delay, Select to Output Y (Figure 2)        | 3.3<br>5.0                           | 1.5<br>1.5        | 11.0<br>8.5 | 1.5<br>1.0    | 12.0<br>9.5  | ns   |
| $t_{PLH}$ | Propagation Delay, Output Enable to Output Y (Figure 3) | 3.3<br>5.0                           | 1.5<br>1.5        | 11.5<br>9.0 | 1.5<br>1.5    | 13.0<br>10.0 | ns   |
| $t_{PHL}$ | Propagation Delay, Output Enable to Output Y (Figure 3) | 3.3<br>5.0                           | 1.5<br>1.5        | 11.0<br>9.0 | 1.5<br>1.0    | 12.0<br>9.5  | ns   |
| $C_{IN}$  | Maximum Input Capacitance                               | 5.0                                  | 4.5               |             | 4.5           |              | pF   |
| $C_{PD}$  | Power Dissipation Capacitance                           | Typical @25°C, $V_{CC}=5.0\text{ V}$ |                   |             |               | 50           | pF   |
|           |   |                                      |                   |             |               |              |      |

\*Voltage Range 3.3 V is 3.3 V  $\pm$ 0.3 V  
 Voltage Range 5.0 V is 5.0 V  $\pm$ 0.5 V

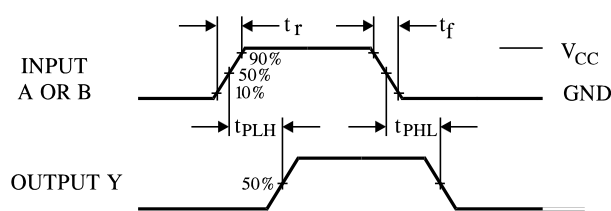


Figure 1. Switching Waveforms

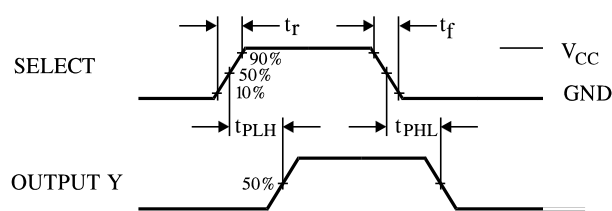


Figure 2. Switching Waveforms

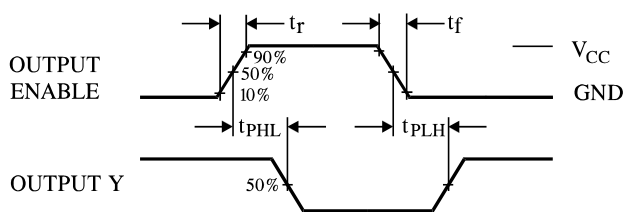
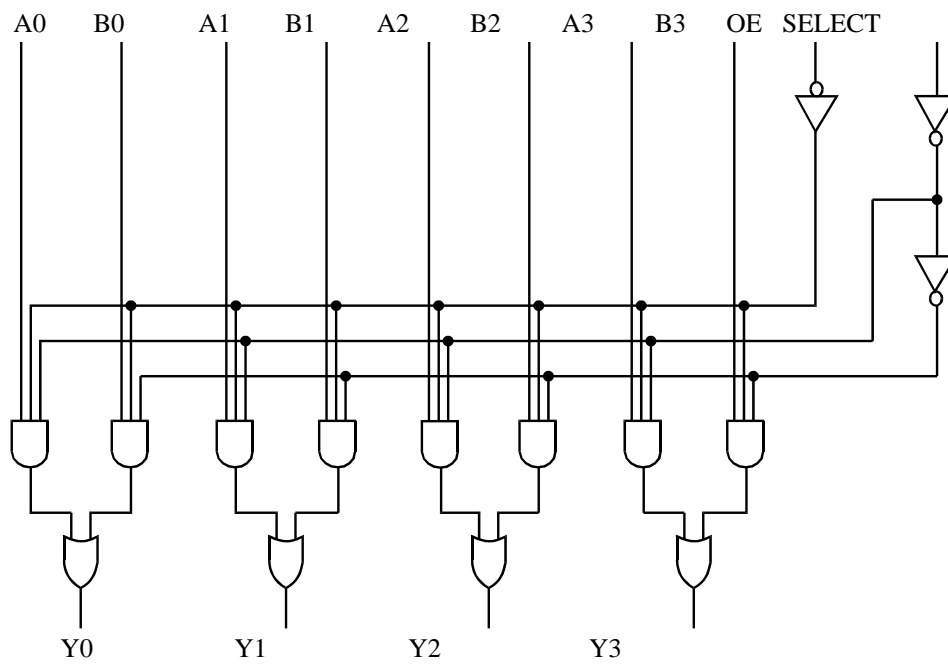
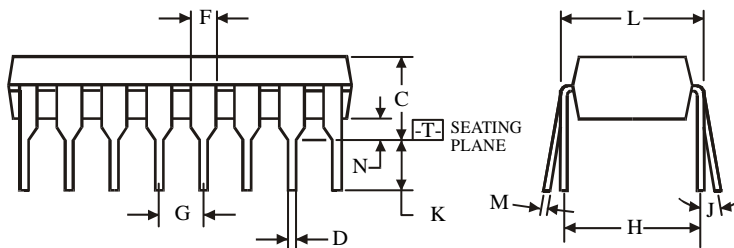
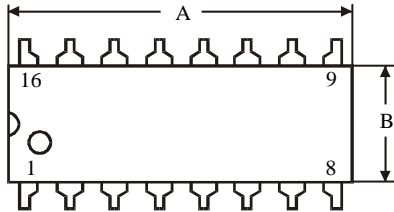
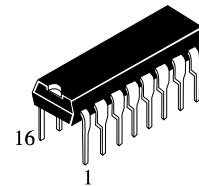


Figure 3. Switching Waveforms

EXPANDED LOGIC DIAGRAM



**N SUFFIX PLASTIC DIP  
(MS - 001BB)**



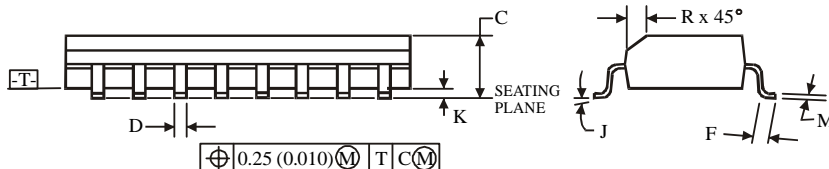
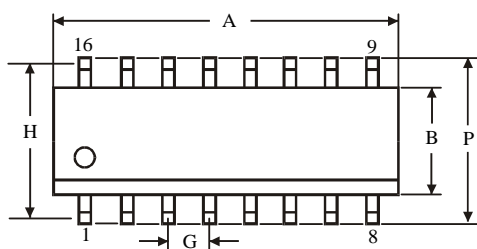
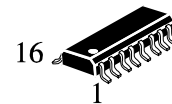
$\oplus 0.25 (0.010) \text{ (M) T}$

**NOTES:**

- Dimensions "A", "B" do not include mold flash or protrusions.  
Maximum mold flash or protrusions 0.25 mm (0.010) per side.

| Symbol | Dimension, mm |       |
|--------|---------------|-------|
|        | MIN           | MAX   |
| A      | 18.67         | 19.69 |
| B      | 6.1           | 7.11  |
| C      |               | 5.33  |
| D      | 0.36          | 0.56  |
| F      | 1.14          | 1.78  |
| G      | 2.54          |       |
| H      | 7.62          |       |
| J      | 0°            | 10°   |
| K      | 2.92          | 3.81  |
| L      | 7.62          | 8.26  |
| M      | 0.2           | 0.36  |
| N      | 0.38          |       |

**D SUFFIX SOIC  
(MS - 012AC)**



$\oplus 0.25 (0.010) \text{ (M) T C (M)}$

**NOTES:**

- Dimensions A and B do not include mold flash or protrusion.
- Maximum mold flash or protrusion 0.15 mm (0.006) per side for A; for B - 0.25 mm (0.010) per side.

| Symbol | Dimension, mm |      |
|--------|---------------|------|
|        | MIN           | MAX  |
| A      | 9.8           | 10   |
| B      | 3.8           | 4    |
| C      | 1.35          | 1.75 |
| D      | 0.33          | 0.51 |
| F      | 0.4           | 1.27 |
| G      | 1.27          |      |
| H      | 5.72          |      |
| J      | 0°            | 8°   |
| K      | 0.1           | 0.25 |
| M      | 0.19          | 0.25 |
| P      | 5.8           | 6.2  |
| R      | 0.25          | 0.5  |