



Featuring VirtualSource Reflectors

# 8" Regressed Lensed A-Line Vertical Downlight

## INC800

One 150W A21  
120V or 277V

DATE: \_\_\_\_\_ TYPE: \_\_\_\_\_

FIRM NAME: \_\_\_\_\_

PROJECT: \_\_\_\_\_



Ceiling Cutout: 8 1/4"  
Maximum Ceiling Thickness: 1 1/4"  
For conversion to millimeters,  
multiply inches by 25.4  
Not to Scale

### APPLICATIONS:

The Architektür INC800 provides an 8" specification grade regressed lens downlight luminaire for a wide variety of applications including commercial, retail, and hospitality.

### HOUSING:

One piece 18 gauge galvanized steel platform. Maximum 1 1/4" ceiling thickness. Prewired J-Box with snap-on cover for easy below ceiling access. Diecast aluminum heat sink.

### REFLECTOR:

High purity aluminum Alzak reflector featuring Virtual Source® optical design for optimum efficiency and superior brightness control. Self-trim standard. Optional painted white self-trim available. Integral retention springs.

### LENS:

All glass lens are standard tempered and designed to withstand high temperatures and high impact associated with commercial lensed downlight applications.

### LAMP:

One (1) 150W A21 lamp. Lamp furnished by others.

### SOCKET:

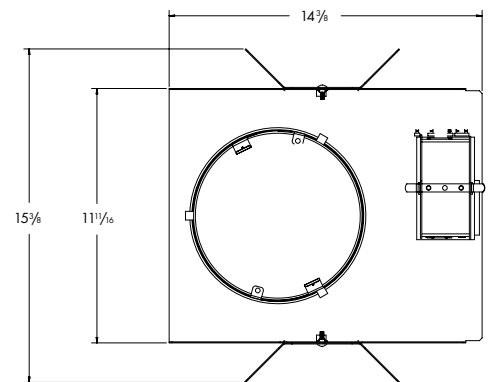
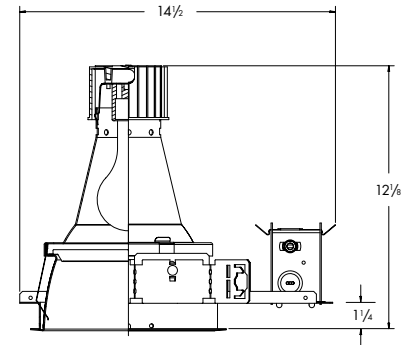
One (1) medium base porcelain socket with nickel plated screw shell.

### INSTALLATION:

Universal adjustable mounting brackets accommodate 1 1/2" or 3/4" lathing channel or 1/2" EMT (by others), or Prescolite 24" bar hangers (B24 or B6).

### LABELS:

UL, CSA listed for wet locations  
Approved for through wiring  
Thermally protected  
Non-IC rated and NYC approved



CATALOG NUMBER:

EXAMPLE: INC800-STI802PWCL-B24

HOUSING	HOUSING OPTIONS	REFLECTOR FINISH	REFLECTOR COLOR	REFLECTOR OPTIONS	ACCESSORIES
<input type="checkbox"/> <b>INC800</b> 8" (1) 150W A21	<input type="checkbox"/> <b>CP</b> Chicago Plenum. (120V only) CP fixture height is 13 11/16". Fixture construction and/or specifications may vary. Refer to Chicago Plenum specification sheets on www.prescolite.com for details. <input type="checkbox"/> <b>277V</b> J-Box mounted step-down transformer <input type="checkbox"/> <b>MW75A21</b> Max Wattage label, 75W <input type="checkbox"/> <b>MW100A21</b> Max Wattage label, 100W	<input type="checkbox"/> <b>STI802</b> Specular Alzak reflector or painted option <hr/> <b>REFLECTOR FINISH</b> <input type="checkbox"/> <b>Blank</b> Specular <input type="checkbox"/> <b>SS</b> Semi-Specular <input type="checkbox"/> <b>MFC</b> American Matte Finish	<input type="checkbox"/> <b>Blank</b> Clear <input type="checkbox"/> <b>CG</b> Champagne Gold <input type="checkbox"/> <b>PW</b> Pewter <input type="checkbox"/> <b>BL</b> Black <input type="checkbox"/> <b>WE</b> Wheat <input type="checkbox"/> <b>LW</b> Light Wheat <b>Painted Options<sup>1*</sup></b> <input type="checkbox"/> <b>WC<sup>2</sup></b> White Cone <input type="checkbox"/> <b>BC<sup>2</sup></b> Black Cone	<input type="checkbox"/> <b>DL<sup>3</sup></b> Diffused lens <input type="checkbox"/> <b>CL<sup>3</sup></b> Clear lens <input type="checkbox"/> <b>FL<sup>3</sup></b> Fresnel lens <input type="checkbox"/> <b>PL<sup>3</sup></b> Prismatic lens <input type="checkbox"/> <b>TRG</b> Trim ring gasket (factory installed) <input type="checkbox"/> <b>WT</b> Painted white self-flange	<input type="checkbox"/> <b>B24</b> Set of two (2) 24" bar hangers for T-bar ceilings <input type="checkbox"/> <b>B6</b> Set of two (2) bar hangers for ceiling joists up to 24" centers <input type="checkbox"/> <b>SCA8D</b> Sloped ceiling adapter (see note on back page)

<sup>1</sup>All painted options come standard with an upper specular clear Alzak reflector.  
<sup>2</sup> Not available with MFC or SS finish  
<sup>3</sup> UL listed for wet locations



In a continuing effort to offer the best product possible we reserve the right to change, without notice, specifications or materials that in our opinion will not alter the function of the product.  
Web: [www.prescolite.com](http://www.prescolite.com) • Tech Support: (888) 777-4832

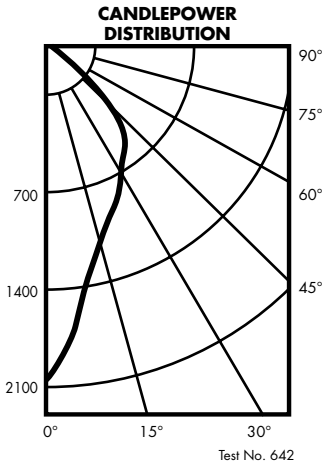
ARCH-INC-039

# PHOTOMETRIC DATA

## Architektūr - 8" Regressed Lensed Vertical Downlight - INC800

### INC800-ST1802CL with Specular Clear Alzak Reflector and Clear Lens

Lamp: One 150W A21 Inside Frosted, 2850 Lumens  
 Spacing Criteria: 0.5  
 Efficiency: 52.4%



CANDLEPOWER SUMMARY	
Angle	Mean CP
0	2027
5	1570
10	1258
15	1061
20	896
25	788
30	658
35	611
40	517
45	343
50	130
55	51
60	36
65	7
70	1
75	1
80	1
85	0
90	0

### LUMINANCE DATA IN CANDELA/SQ. METER

Angle in Vertical	Average
0°	0
45°	15933
55°	2921
65°	544
75°	127
85°	0

### AVERAGE INITIAL FOOTCANDLES

- Multiple Units (Square Array)
- Ceiling 80% Wall 50% Floor 20%
- 4 fixtures evenly spaced in the center of the room.
- The room is square and has a width and length equal to twice the lamp spacing.
- The lumen depreciation factor is 0.8.
- The dirt depreciation factor is 0.98.

### 150W A21

SPACING	RCR1	RCR3	RCR7
7.0	26	22	16
8.0	20	17	13
9.0	16	13	10
10.0	13	11	8
11.0	10	9	7
12.0	9	8	6
13.0	7	6	5
14.0	6	6	4
15.0	6	5	4

### COEFFICIENTS OF UTILIZATION Zonal Cavity Method

Room Cavity Ratio	% Effective Floor Cavity Reflectance																							
	80%				70%				50%				30%				10%				0%			
	20% Effective Floor Cavity Reflectance																							
	% Wall Reflectance																							
	70	50	30	10	70	50	30	10	50	30	10	50	30	10	50	30	10	0						
0	.62	.62	.62	.62	.61	.61	.61	.61	.58	.58	.58	.56	.56	.56	.53	.53	.53	.52						
1	.59	.57	.56	.55	.58	.56	.55	.54	.54	.53	.52	.52	.51	.51	.50	.50	.49	.48						
2	.56	.53	.51	.49	.55	.52	.50	.48	.50	.48	.47	.49	.47	.46	.47	.46	.45	.44						
3	.52	.49	.46	.43	.51	.48	.45	.43	.47	.44	.42	.45	.43	.42	.44	.42	.41	.40						
4	.49	.45	.42	.39	.48	.44	.41	.39	.43	.41	.38	.42	.40	.38	.41	.39	.38	.37						
5	.46	.41	.38	.36	.45	.41	.38	.35	.40	.37	.35	.39	.37	.35	.38	.36	.34	.34						
6	.44	.38	.35	.32	.43	.38	.35	.32	.37	.34	.32	.36	.34	.32	.36	.33	.32	.31						
7	.41	.36	.32	.30	.40	.35	.32	.30	.35	.32	.30	.34	.31	.29	.33	.31	.29	.28						
8	.39	.33	.30	.27	.38	.33	.30	.27	.32	.29	.27	.32	.29	.27	.31	.29	.27	.26						
9	.37	.31	.28	.25	.36	.31	.28	.25	.30	.27	.25	.30	.27	.25	.29	.27	.25	.24						
10	.35	.29	.26	.24	.34	.29	.26	.24	.29	.26	.24	.28	.25	.23	.28	.25	.23	.23						

INC800-ST1802 150W A21 I.F.

Test No. 642

### NOTES

⊙ vs Denotes a Virtual Source reflector.

When ordering a sloped ceiling adapter, specify the degree of slope in 1° increments, max. of 35°. For a more precise degree or wet ceiling applications, please contact factory. The SCA must be installed at the time of housing installation.

Refer to [www.prescolite.com](http://www.prescolite.com) for additional photometric tests (IES Files).



Web: [www.prescolite.com](http://www.prescolite.com) • Tech Support: (888) 777-4832

701 Millennium Blvd. • Greenville, SC 29607 U.S.A. • Phone (864) 678-1000

Copyright ©2012 Prescolite, Inc., a division of Hubbell Lighting, Inc. All Rights Reserved

Specifications subject to change without notice. • Printed in U.S.A. • ARCH-INC-039 • 2/14/12



Hubbell Lighting, Inc.