



Website: www.displaytech.com.hk

LCD Module

Product Specification

Product: INT070ATFT & INT070ATFT-TS
7.0" Integrated TFT Display Module
(800RGBx480DOTS)

Contents in this document are subject to change without notice. No part of this document may be reproduced or transmitted in any form or by any means, electronic or mechanical, for any purpose, without the express written permission of Displaytech Ltd.

January 25, 2013.

1. REVISION RECORD

VERSION	CHANGES	DATE
1.0	Initial revision	28 September 2011
1.1	Added “Power Consumption” section, changed the temperature range for –TS version, and updated the mechanical drawings	3 November 2011
2.0	Change pin#38 to +5.0V at page 5, 7, & 9.	January 2, 2013
2.1	Added voltage and current details for pin#38 at page 10	January 3, 2013
2.2	Add “ERRATA” section on page 1	January 25, 2013

2. ERRATA

- (1) The reset line of devices with date codes earlier than 1306xxxxxxxx connects directly to the SSD1963 controller and COG driver on the TFT module, but does not reset the on-board Atmel device. Therefore, driving the reset pin low will reset the SSD1963 controller and COG driver, but the Atmel chip will not re-initialize these devices.
- (2) In order to re-initialize the controller and driver, the user will need to send initialization commands to the controller and driver. For this reason, we recommend not driving the reset pin low at startup of the device. To fully reset and re-initialize the device, a power-cycle (power the device off and back on) is required.
- (3) Alternatively, the customer may wish to re-route the reset line to the Atmel's reset pin by cutting the trace from pin 17 and adding a jumper wire from pin 17 to R1. Doing so will allow the user to reset the Atmel device, which will in turn reset and re-initialize the controller and driver.
- (4) The auto-initialization of the controller and driver requires that the Atmel part assert control of the command and data lines of the on-board controller and driver. These lines will need to be set as inputs by the customer MCU during the auto-initialization time. Specifically, the CS, RS, RD, WR, RESET, and DATA lines need to be set as inputs during the initialization time. The customer can determine when auto-initialization has completed by monitoring the state of the CS line, or by simply waiting 1s at startup of the device.

Table of Content

1. REVISION RECORD.....	1
2. ERRATA	1
3. Introduction	3
4. Features	3
5. General Specifications	4
6. Mechanical Drawing	5
7. Interface Description	9
8. Absolute Maximum Ratings.....	10
9. Electrical Characteristics	10
10. Power Consumption.....	10
11. Display and Touch Screen Controller /Power Supply Timing.....	10
12. Backlight specification.....	11
13. Optical Characteristics	11
14. Safety Precaution	14

3. Introduction

INT070ATFT and *INT070ATFT-TS* are integrated display module based upon a TFT display with a 480 x 800 RGB resolution. The TFT module is mounted on a PCB on which is mounted a Solomon SSD1963 controller with integrated touch screen control and PWM driving circuit for the LED backlight. The TFT module is automatically initialised upon power up by an on-board controller circuit.

4. Features

- 8080/6800 MCU Interface (1)
- Built-in 1215K bytes frame buffer. Support up to 864 x 480 at 24bpp display
- Deep sleep mode for power saving
- Screen display rotation
- Display vertical scrolling
- Display mirroring
- Programmable contrast and saturation control
- Auto initialisation (2)
- Embedded 4-Wires Touch Panel Controller
- Embedded PWM control and LED driving circuit for backlight

Remarks:

- (5) MCU Interface is selected by soldering option as below.
- **8080 interface** (Default setting): R4 is with 0 ohm resistor / R19 is opened.
 - **6800 interface** (By request): R19 is with 0 ohm resistor / R4 is opened.
 - 8/9/16/18-bit MCU interface are available.
- (6) “Auto Initialisation” takes around half second to complete, customer is suggested to add an one second delay at the beginning of their program.

5. General Specifications

Item	Specification	Unit
LCD mode	Transmissive	---
Resolution	800(RGB)	Line
	480	Line
Diagonal Size	7.0	Inch
Overall Size	175.00	mm
	103.00	mm
Active area	154.08	mm
	85.92	mm
Optimum Viewing Direction	6 o'clock (1)	---
Controller IC	Solomon SSD1963; MAX11802 (Touch screen)	---
Interface type	8080/6800 with 8/9/16/18 Data Bus Width (2)	---
Colours	16.7M	---
Operation temperature range	-20~70	°C
Storage temperature range	-30~80	°C

Remarks:

- (1) Manufacturing Viewing Direction is 12 o'clock, due to the Gray Scale Inversion effect, the Optimum Viewing Direction shifted to the opposite side, 6 o'clock.
- (2) MCU Interface is selected by soldering option as below.
 - **8080 interface** (Default setting): R4 is with 0 ohm resistor / R19 is opened.
 - **6800 interface** (By request): R19 is with 0 ohm resistor / R4 is opened.
 - 8/9/16/18-bit MCU interface are available.
 - Maxim MAX11802 is with SPI interface.
- (3) Color tune may be changed slightly by temperature and driving voltage.
- (4) RoHS compliant.

Component Life Cycle

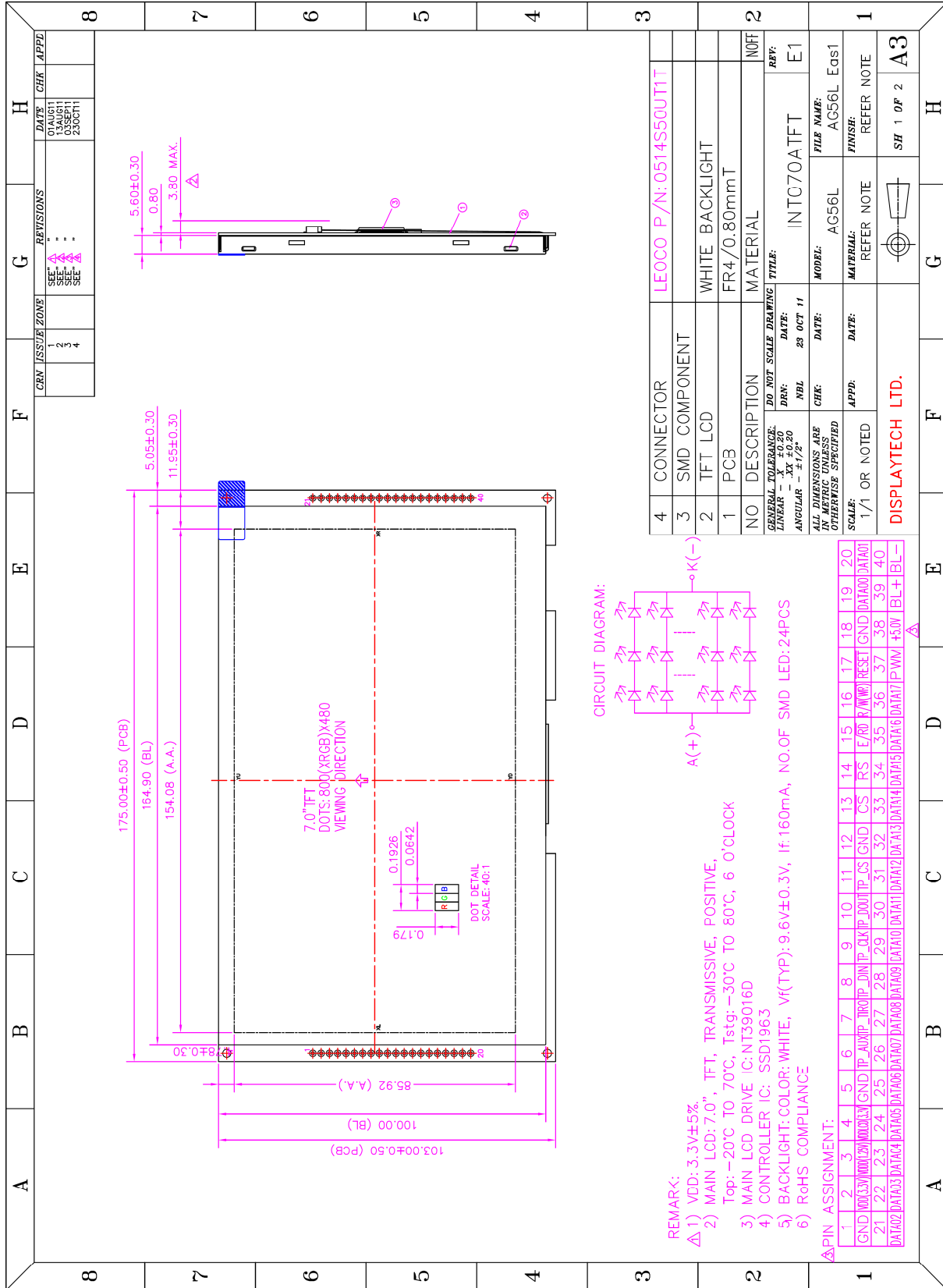
- 1) Storage Life: min. 1 Year
- 2) Operation Life (*1): min. 43 x 10³ h (24hr/day x 7days/week x 52weeks/year x 5years)
(Not include backlight)
- 3) Storage and Operation Life Times are defined for a temperature of +25°C

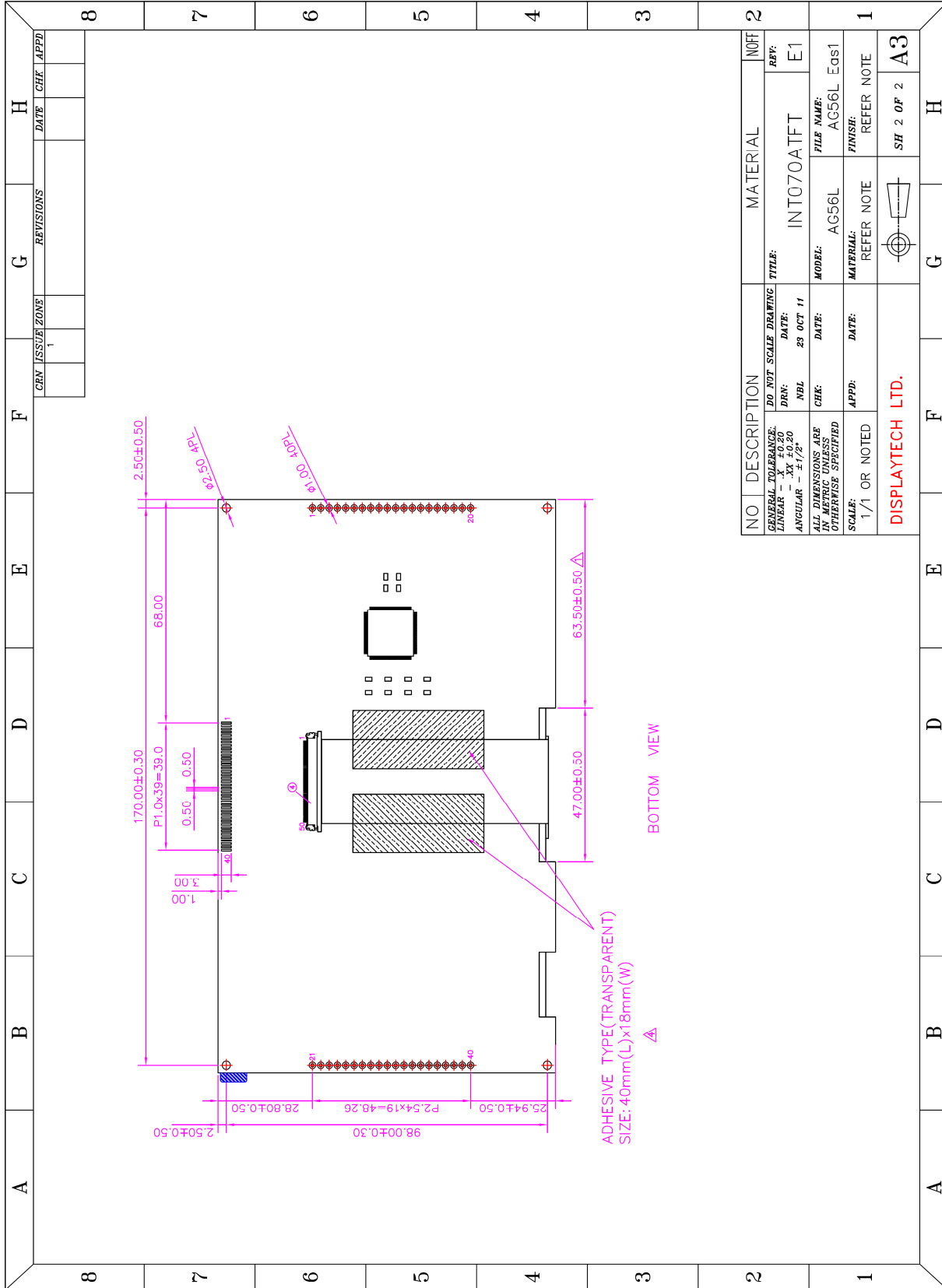
Notes:

- *1. Operation life ends when one of the listed faults occurs:
- The on/off response-times reach 1.5 times of the max. value specified for a new display
 - The contrast is reduced to 0.5 of the original contrast value
 - Loss of function
 - The number of cosmetic defects exceeds the maximum defined

6. Mechanical Drawing

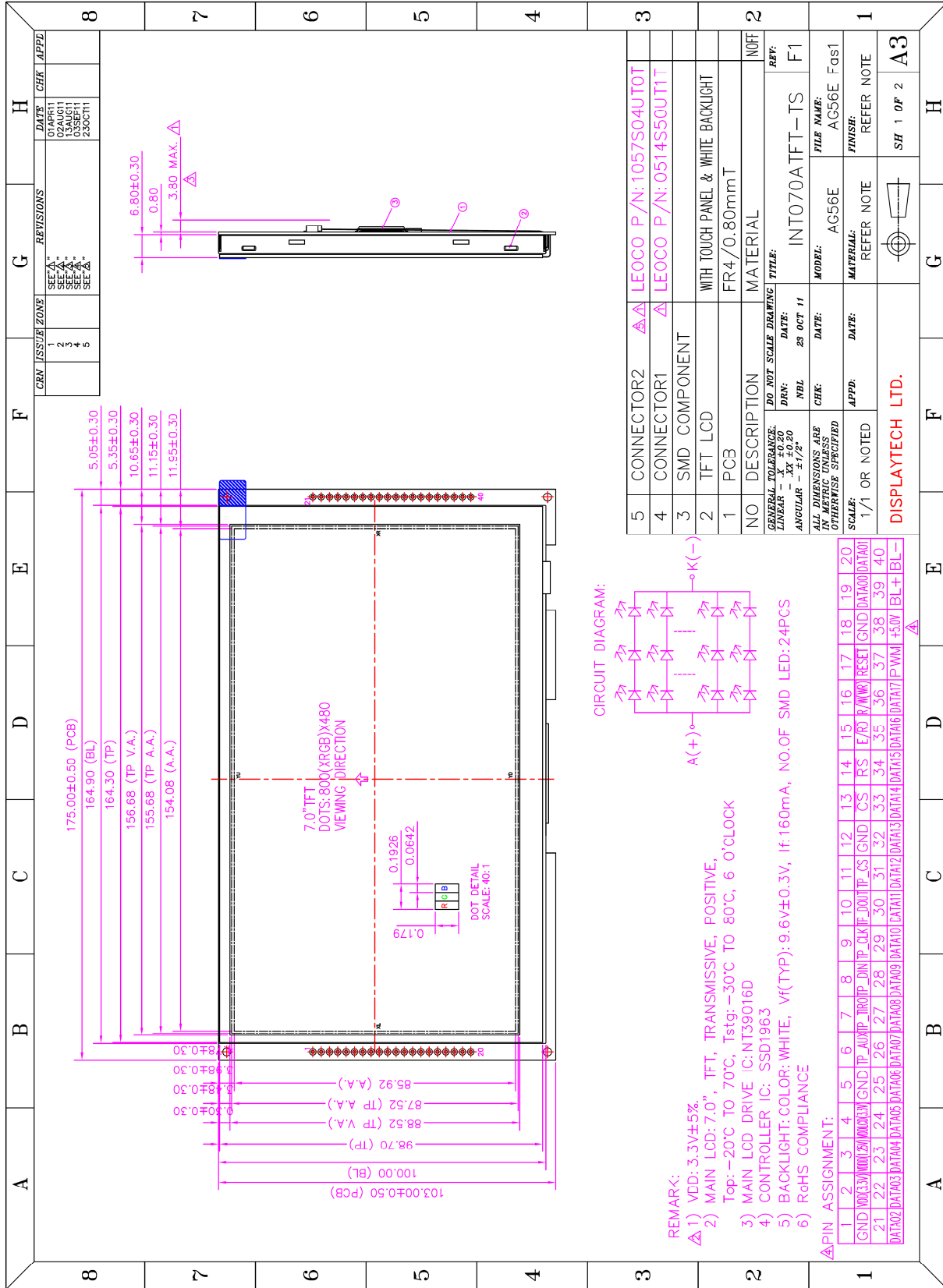
• INT070ATFT

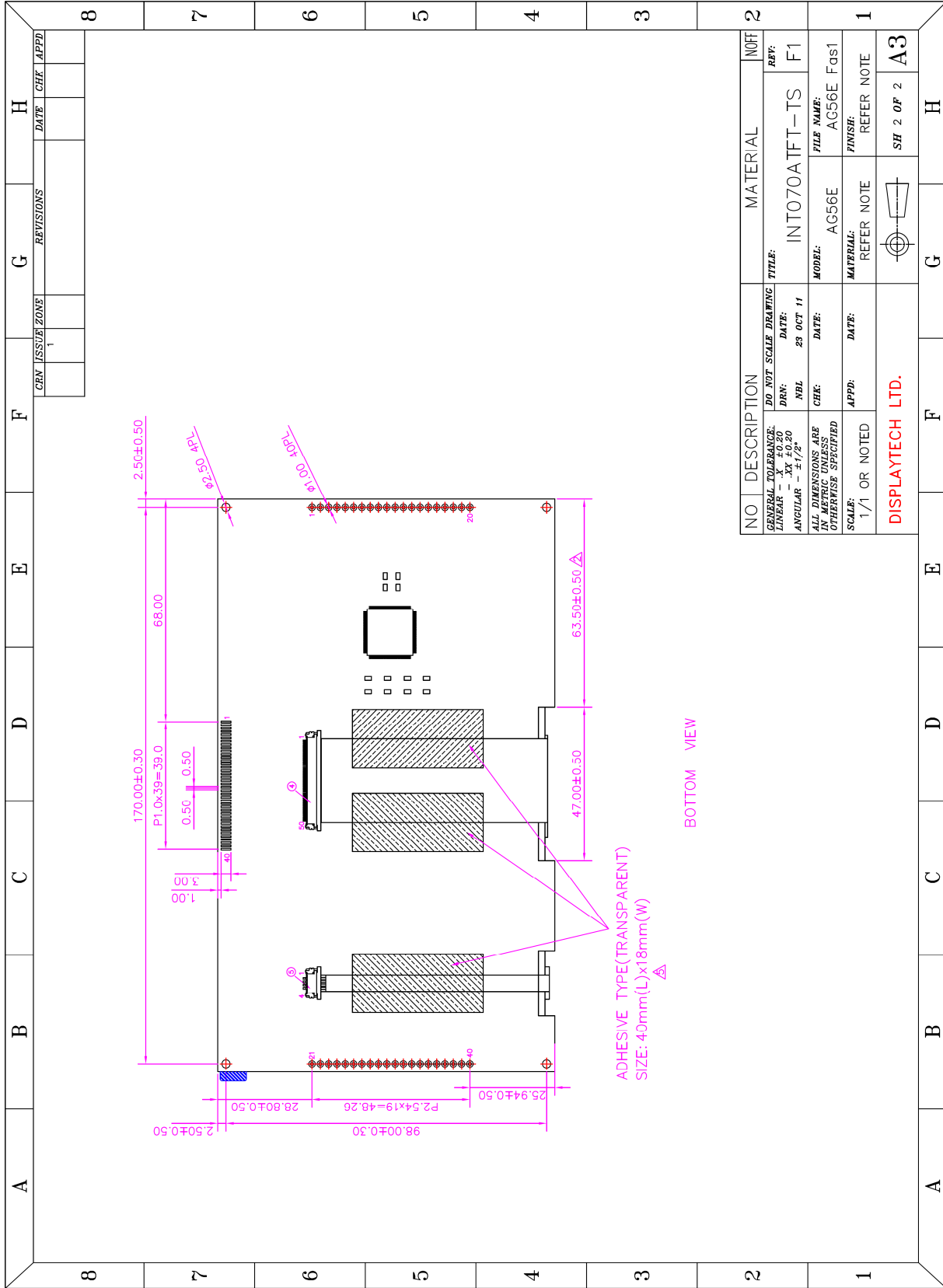




NO	DESCRIPTION	DO NOT SCALE	DRAWING TITLE:	MATERIAL	NO/FF
GENERAL TOLERANCE:	DRN:	DATE:	INT070ATFT		REF:
LINEAR - XX ±0.20	NBL:	29 OCT 11			E1
ANGULAR - ±1/2°	CHK:				
ALL DIMENSIONS ARE IN METRIC UNLESS OTHERWISE SPECIFIED	APPD:			AG56L	FILE NAME: AG56L Egs1
SCALE: 1/1 OR NOTED				REFER NOTE	PINSH: REFER NOTE
DISPLAYTECH LTD.				SH 2 OF 2	A3

• INT070ATFT-TS





7. Interface Description

Pin no	Symbol	I/O	Description
1	GND	---	Power ground 0V
2	VDDIO	---	Power supply for digital I/O pads
3	VDDD	---	Power supply for internal digital circuit
4	VDDLCD	---	Power supply for LCD interface related pads
5	GND	---	Power ground 0V
6	TP_AUX	I	Auxiliary Input: Analog input that used to monitor external conditions such as battery voltage or temperature. (INT070ATFT-TS only: for MAX11802)
7	TP_TIRQ	O	Active-Low Touch Interrupt Output: Active-low interrupt, indicating that a touch is present (CINT) or has been initiated (EINT) in DCM, or that new data is available in the FIFO in ACM. (INT070ATFT-TS only: for MAX11802)
8	TP_DIN	I	SPI Serial Data Input. (INT070ATFT-TS only: for MAX11802)
9	TP_CLK	I	SPI Serial Data Clock Input. (INT070ATFT-TS only: for MAX11802)
10	TP_DOUT	I	SPI Data Output. (INT070ATFT-TS only: for MAX11802)
11	TP_CS	I	SPI Chip-Select Input. (INT070ATFT-TS only: for MAX11802)
12	GND	---	Power ground 0V
13	/CS	I	Chip select (for Controller SSD1963)
14	/RS	I	Data/Command select
15	E(/RD)	I	6800 mode: E (enable signal) 8080 mode: /RD (read strobe signal)
16	R/W(/WR)	I	6800 mode: R/W 0: Write cycle 1: Read cycle 8080 mode: /WR (write strobe signal)
17	/RESET	I	Master synchronize reset
18	GND	---	Power ground 0V
19 36	DATA00 DATA17	I/O	Data bus. Pins not used should be floating
37	NC (PWM)	---	No connection
38	+5.0V	I	Power supply for backlight
39	NC (BL+)	---	No connection
40	NC (BL-)	---	No connection

8. Absolute Maximum Ratings

(GND=VSS=0V; Ta=25°C)

Item	Symbol	Min.	Max.	Unit
I/O power supply	VDDIO	-0.5	4.6	V
Digital Core power supply	VDDD	-0.5	1.8	V
LCD Interface power supply	VDDLCD	-0.5	4.6	V
Input Voltage	VIN	-0.5	4.6	V
Output Voltage	VOUT	-0.5	4.6	V
Operating Temperature	TOP	-20	+70	°C
Storage Temperature	TST	-30	+80	°C

Note:

- When temperature is below 0°C, the response time of liquid crystal (LC) will be slower and the color of panel will be darker.
- If module driving condition exceeds the absolute maximum ratings, permanent damaged may be resulted. If module is driven within the absolute maximum ratings but exceeded the DC characteristics, mal-function may be resulted.
- VDD/VCC > VSS

9. Electrical Characteristics

DC Characteristics

(GND=VSS=0V; Ta=25°C)

Item	Symbol	Min.	Typ.	Max.	Unit
I/O power supply	VDDIO	3.135	3.3	3.465	V
Digital Core power supply	VDDD	1.08	1.2	1.32	V
LCD Interface power supply	VDDLCD	1.65	3.3	3.6	V
Input signal voltage	Low level	VIL	---	0.2VDDIO	
	High level	VIH	0.8VDDIO	VDDIO + 0.5	V
Output signal voltage	Low level	VOL	---	0.2VDDIO	V
	High level	VOH	0.8VDDIO	---	V

10. Power Consumption

(GND=VSS=0V; Ta=25°C)

Item	Symbol	Condition	Typ	Max.	Unit
Digital Supply Current	IDVDD	DVDD=3.3	3.22	8.70	mA
Analog Supply Current	IAVDD	AVDD=10.4V	15.69	23.01	mA
Gate On Current	IVGH	VGH=16.0V	0.20	0.22	mA
Gate Off Current	IVGL	VGL=-7.0V	0.20	0.22	mA
Power Consumption	Panel & Gamma	---	177.67	254.65	mW
	Backlight	---	1.152	1.267	W
	Total	---	1.330	1.522	W
Power supply for backlight (pin#38)		4.75	5.0	5.25	V
Current consumption for backlight (pin#38)		408	510	765	mA

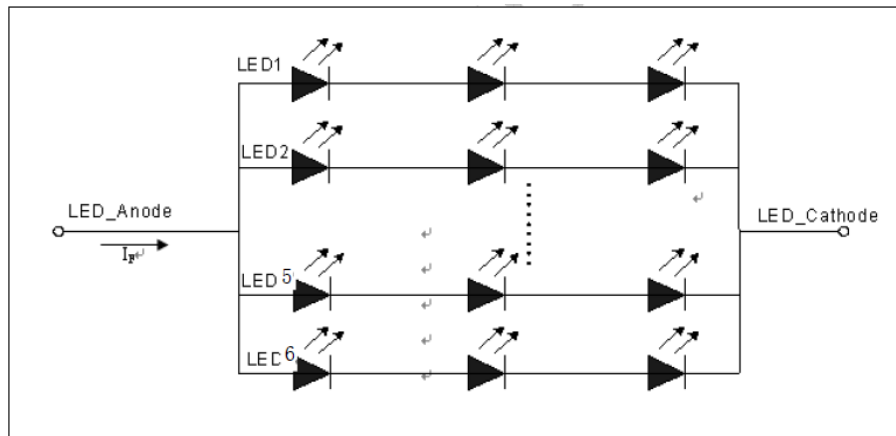
11. Display and Touch Screen Controller /Power Supply Timing

See Display and Touch Screen Controller Specification: Solomon SSD1963 & Maxim MAX11802

12.Backlight specification

(VDDIO=3.3V, GND=0V, Ta=25°C)

Item	Symbol	Min	Typ	Max	Unit	Note
Supply voltage	Vf	---	9.6	---	V	18 LEDs
Forward current	If	---	20	25	mA	
Backlight power consumption	WBL	---	1.152	1.267	W	



Notes:

- 1) The LED's driving condition is defined for each LED backlight (3 LEDs in series per line, and 6 lines per module).
- 2) In operation, constant forward current should be supplied, the forward voltage is for reference only.

13.Optical Characteristics

(Vcc=3.3V, Vss=0V, Ta=25°C)

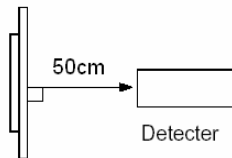
Item	Symbol	Condition	Min	Typ	Max	Unit	Note
Luminance	L	$\theta=0^\circ$	200	250	---	cd/m ²	1, 2
Uniformity	U	$\Phi=0^\circ$	---	75	---	%	1, 2
Viewing Angle	θT	$Cr \geq 10$	50	60	---	deg	3
	θB		60	70	---		
	θL		60	70	---		
	θR		60	70	---		
Contrast ratio	Cr	$\theta=0^\circ$	400	500	---	---	1, 4
Response Time	Tr	$\theta=0^\circ$	---	25	---	ms	1, 5
	Tf						
CIE (x,y) Chromaticity	White	x	0.267	0.317	0.367	---	1, 6
		y	0.284	0.334	0.384		
	Red	x	0.567	0.617	0.667		
		y	0.305	0.355	0.405		
	Green	x	0.289	0.339	0.389		
		y	0.483	0.533	0.583		
	Blue	x	0.092	0.142	0.192		
		y	0.049	0.099	0.149		
NTSC Ratio	S	$\theta=0^\circ$	---	50	---	%	

Note 1: The data are measured after LEDs are turned on for 5 minutes. LCM displays full white.
The brightness is the average value of 9 measured spots. Measurement equipment PR-705 (Φ8mm)

Measuring condition:

- Measuring surroundings: Dark room.
- Measuring temperature: $T_a=25^{\circ}\text{C}$.
- Adjust operating voltage to get optimum contrast at the center of the display.

Measured value at the center point of LCD panel after more than 5 minutes while backlight turning on.

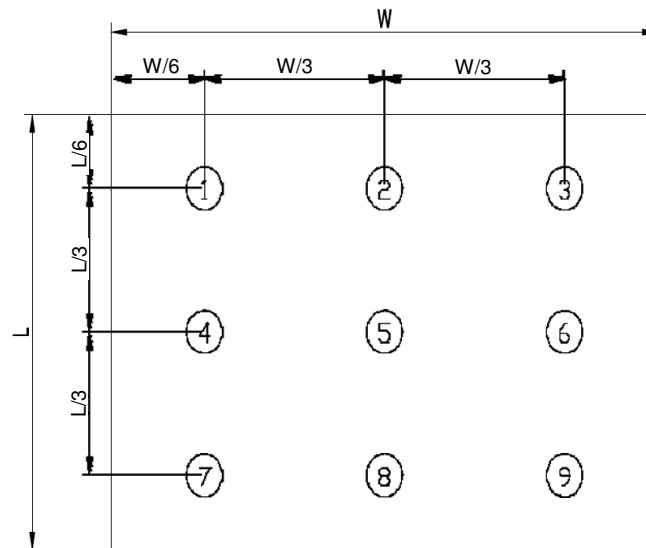


Note 2: The luminance uniformity is calculated by using following formula.

$$L = L(\text{Min.}) / L(\text{Max.}) \times 100 (\%)$$

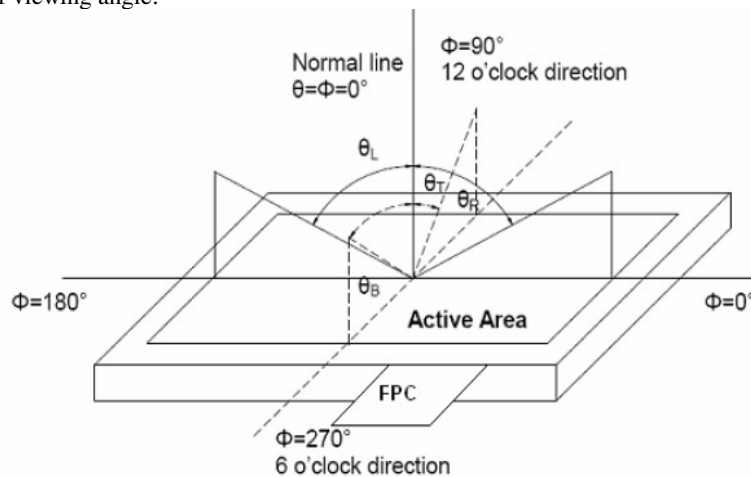
L (Max.) = Maximum brightness in 9 measured spots

L (Min.) = Minimum brightness in 9 measured spots.



Measurement equipment PR-705 (Φ8mm)

Note 3: The definition of viewing angle:



Note 4: The definition of contrast ratio (Test LCM using PR-705):

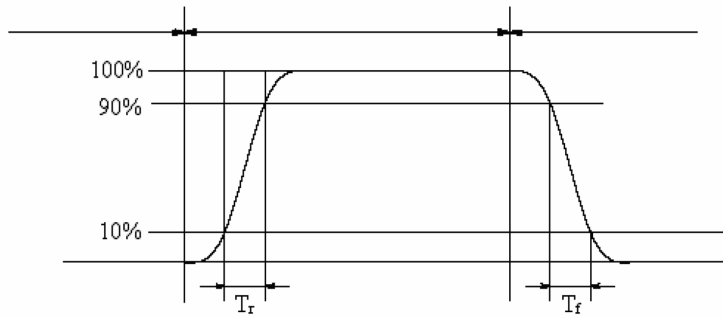
$$\text{Contrast Ratio (CR)} = \frac{\text{Luminance When LCD is at "White" state}}{\text{Luminance When LCD is at "Black" state}}$$

(Contrast Ratio is measured in optimum common electrode voltage)

Note 5: Definition of Response time. (Test LCD using DMS501):

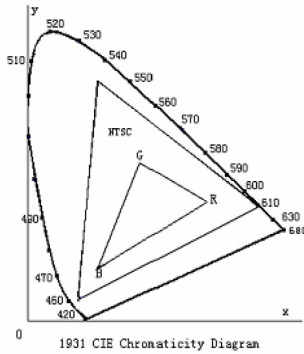
The output signals of photo detector are measured when the input signals are changed from "black" to "white" (falling time) and from "white" to "black" (rising time), respectively.

The response time is defined as the time interval between the 10% and 90% of amplitudes. Refer to figure as below.



The definition of response time

Note 6: Definition of Color of CIE Coordinate and NTSC Ratio.



Color gamut:

$$S = \frac{\text{area of RGB triangle}}{\text{area of NTSC triangle}} \times 100\%$$

14. Safety Precaution

Handling precautions:

- This device is susceptible to Electro-Static Discharge (ESD) damage. Observe Anti-Static precautions.

Power supply precautions:

- Identify and, at all times, observe absolute maximum ratings for both logic and LC drivers. Note that there is some variance between models.
- Prevent the application of reverse polarity to VCC and GND, however briefly.
- Use a clean power source free from transients. Power up conditions are occasionally “jolting” and may exceed the maximum ratings of the modules.
- The VCC power of the module should also supply the power to all devices that may access the display. Don't allow the data bus to be driven when the logic supply to the module is turned off.

Operating precautions:

- DO NOT plug or unplug the module when the system is powered up.
- Minimize the cable length between the module and host MPU.
- Operate the module within the limits of the modules temperature specifications.

Mechanical/Environmental precautions:

- Improper soldering is the major cause of module difficulty. Use of flux cleaner is not recommended as they may seep under the elastomeric connection and cause display failure.
- Mount the module so that it is free from torque and mechanical stress.
- Surface of the LCD panel should not be touched or scratched. The display front surface is an easily scratched, plastic polarizer. Avoid contact and clean only when necessary with soft, absorbent cotton dampened with petroleum benzene.
- Always employ anti-static procedure while handling the module.
- Prevent moisture build-up upon the module and observe the environmental constraints for storage temperature and humidity.
- Do not store in direct sunlight
- If leakage of the liquid crystal material should occur, avoid contact with this material, particularly ingestion. If the body or clothing becomes contaminated by the liquid crystal material, wash thoroughly with water and soap