

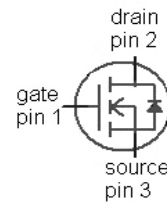
## OptiMOS™ 3 Power-Transistor

### Features

- Fast switching MOSFET for SMPS
- Optimized technology for DC/DC converters
- Qualified according to JEDEC<sup>1)</sup> for target applications
- N-channel, logic level
- Excellent gate charge x  $R_{DS(on)}$  product (FOM)
- Very low on-resistance  $R_{DS(on)}$
- Avalanche rated
- Pb-free plating; RoHS compliant
- Halogen-free according to IEC61249-2-21 \*

### Product Summary

|                  |     |            |
|------------------|-----|------------|
| $V_{DS}$         | 30  | V          |
| $R_{DS(on),max}$ | 7.5 | m $\Omega$ |
| $I_D$            | 50  | A          |



| Type    | IPD075N03L G  | IPF075N03L G  | IPS075N03L G  | IPU075N03L G  |
|---------|---------------|---------------|---------------|---------------|
|         |               |               |               |               |
| Package | PG-TO252-3-11 | PG-TO252-3-23 | PG-TO251-3-11 | PG-TO251-3-21 |
| Marking | 075N03L       | 075N03L       | 075N03L       | 075N03L       |

Maximum ratings, at  $T_j=25\text{ °C}$ , unless otherwise specified

| Parameter                                     | Symbol        | Conditions                                 | Value    | Unit |
|---|---------------|--|----------|------|
| Continuous drain current                      | $I_D$         | $V_{GS}=10\text{ V}, T_C=25\text{ °C}$     | 50       | A    |
|   |               | $V_{GS}=10\text{ V}, T_C=100\text{ °C}$    | 43       |      |
|   |               | $V_{GS}=4.5\text{ V}, T_C=25\text{ °C}$    | 49       |      |
|   |               | $V_{GS}=4.5\text{ V}, T_C=100\text{ °C}$   | 35       |      |
| Pulsed drain current <sup>2)</sup>            | $I_{D,pulse}$ | $T_C=25\text{ °C}$                         | 350      |      |
| Avalanche current, single pulse <sup>3)</sup> | $I_{AS}$      | $T_C=25\text{ °C}$                         | 50       |      |
| Avalanche energy, single pulse                | $E_{AS}$      | $I_D=12\text{ A}, R_{GS}=25\text{ }\Omega$ | 50       | mJ   |
| Gate source voltage                           | $V_{GS}$      |  | $\pm 20$ | V    |

<sup>1)</sup> J-STD20 and JESD22

\* IPD075N03L G HF available with SP000705726 only in Malacca, Malaysia  
 IPS075N03L G available in HF

Maximum ratings, at  $T_j=25\text{ °C}$ , unless otherwise specified

| Parameter                           | Symbol                | Conditions         | Value       | Unit |
|-------------------------------------|-----------------------|--------------------|-------------|------|
| Power dissipation                   | $P_{\text{tot}}$      | $T_c=25\text{ °C}$ | 47          | W    |
| Operating and storage temperature   | $T_j, T_{\text{stg}}$ |                    | -55 ... 175 | °C   |
| IEC climatic category; DIN IEC 68-1 |                       |                    | 55/175/56   |      |

| Parameter | Symbol | Conditions | Values |      |      | Unit |
|-----------|--------|------------|--------|------|------|------|
|           |        |            | min.   | typ. | max. |      |

#### Thermal characteristics

|                                     |                   |  |   |   |     |     |
|-------------------------------------|-------------------|--|---|---|-----|-----|
| Thermal resistance, junction - case | $R_{\text{thJC}}$ |  | - | - | 3.2 | K/W |
| SMD version, device on PCB          | $R_{\text{thJA}}$ | minimal footprint                            | - | - | 75  |     |
|                                     |                   | 6 cm <sup>2</sup> cooling area <sup>4)</sup> | - | - | 50  |     |

Electrical characteristics, at  $T_j=25\text{ °C}$ , unless otherwise specified

#### Static characteristics

|  |                             |   |    |     |      |               |
|--|-----------------------------|---|----|-----|------|---------------|
| Drain-source breakdown voltage                 | $V_{(\text{BR})\text{DSS}}$ | $V_{\text{GS}}=0\text{ V}, I_{\text{D}}=1\text{ mA}$                            | 30 | -   | -    | V             |
| Gate threshold voltage                         | $V_{\text{GS(th)}}$         | $V_{\text{DS}}=V_{\text{GS}}, I_{\text{D}}=250\text{ }\mu\text{A}$              | 1  | -   | 2.2  |               |
| Zero gate voltage drain current                | $I_{\text{DSS}}$            | $V_{\text{DS}}=30\text{ V}, V_{\text{GS}}=0\text{ V}, T_j=25\text{ °C}$         | -  | 0.1 | 1    | $\mu\text{A}$ |
|  |                             | $V_{\text{DS}}=30\text{ V}, V_{\text{GS}}=0\text{ V}, T_j=125\text{ °C}$        | -  | 10  | 100  |               |
| Gate-source leakage current                    | $I_{\text{GSS}}$            | $V_{\text{GS}}=20\text{ V}, V_{\text{DS}}=0\text{ V}$                           | -  | 10  | 100  | nA            |
| Drain-source on-state resistance <sup>5)</sup> | $R_{\text{DS(on)}}$         | $V_{\text{GS}}=4.5\text{ V}, I_{\text{D}}=30\text{ A}$                          | -  | 9.1 | 11.4 | m $\Omega$    |
|  |                             | $V_{\text{GS}}=10\text{ V}, I_{\text{D}}=30\text{ A}$                           | -  | 6.3 | 7.5  |               |
| Gate resistance                                | $R_{\text{G}}$              |   | -  | 1.3 | -    | $\Omega$      |
| Transconductance                               | $g_{\text{fs}}$             | $ V_{\text{DS}} >2 I_{\text{D}} R_{\text{DS(on)max}}, I_{\text{D}}=30\text{ A}$ | 30 | 61  | -    | S             |

<sup>2)</sup> See figure 3 for more detailed information

<sup>3)</sup> See figure 13 for more detailed information

<sup>4)</sup> Device on 40 mm x 40 mm x 1.5 mm epoxy PCB FR4 with 6 cm<sup>2</sup> (one layer, 70  $\mu\text{m}$  thick) copper area for drain connection. PCB is vertical in still air.

<sup>5)</sup> Measured from drain tab to source pin

| Parameter | Symbol | Conditions | Values |      |      | Unit |
|-----------|--------|------------|--------|------|------|------|
|           |        |            | min.   | typ. | max. |      |

#### Dynamic characteristics

|                              |              |   |   |      |      |    |
|------------------------------|--------------|---|---|------|------|----|
| Input capacitance            | $C_{iss}$    | $V_{GS}=0\text{ V}, V_{DS}=15\text{ V},$<br>$f=1\text{ MHz}$                    | - | 1400 | 1900 | pF |
| Output capacitance           | $C_{oss}$    |   | - | 580  | 770  |    |
| Reverse transfer capacitance | $C_{rss}$    |   | - | 29   | 44   |    |
| Turn-on delay time           | $t_{d(on)}$  | $V_{DD}=15\text{ V}, V_{GS}=10\text{ V},$<br>$I_D=30\text{ A}, R_G=1.6\ \Omega$ | - | 4.3  | -    | ns |
| Rise time                    | $t_r$        |   | - | 3.6  | -    |    |
| Turn-off delay time          | $t_{d(off)}$ |   | - | 17   | -    |    |
| Fall time                    | $t_f$        |   | - | 2.8  | -    |    |

#### Gate Charge Characteristics<sup>6)</sup>

|                              |               |   |   |     |   |    |
|------------------------------|---------------|---|---|-----|---|----|
| Gate to source charge        | $Q_{gs}$      | $V_{DD}=15\text{ V}, I_D=30\text{ A},$<br>$V_{GS}=0\text{ to }4.5\text{ V}$ | - | 4.6 | - | nC |
| Gate charge at threshold     | $Q_{g(th)}$   |   | - | 2.2 | - |    |
| Gate to drain charge         | $Q_{gd}$      |   | - | 2.1 | - |    |
| Switching charge             | $Q_{sw}$      |   | - | 4.4 | - |    |
| Gate charge total            | $Q_g$         |   | - | 8.7 | - |    |
| Gate plateau voltage         | $V_{plateau}$ |   | - | 3.3 | - |    |
| Gate charge total            | $Q_g$         | $V_{DD}=15\text{ V}, I_D=30\text{ A},$<br>$V_{GS}=0\text{ to }10\text{ V}$  | - | 18  | - | nC |
| Gate charge total, sync. FET | $Q_{g(sync)}$ | $V_{DS}=0.1\text{ V},$<br>$V_{GS}=0\text{ to }4.5\text{ V}$                 | - | 7.6 | - |    |
| Output charge                | $Q_{oss}$     | $V_{DD}=15\text{ V}, V_{GS}=0\text{ V}$                                     | - | 15  | - |    |

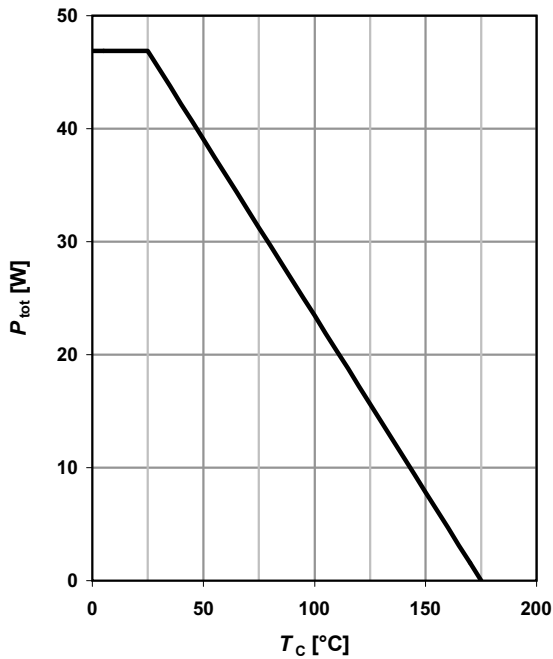
#### Reverse Diode

|                                  |               |   |   |      |     |    |
|----------------------------------|---------------|---|---|------|-----|----|
| Diode continuous forward current | $I_S$         | $T_C=25\text{ }^\circ\text{C}$  | - | -    | 42  | A  |
| Diode pulse current              | $I_{S,pulse}$ |   | - | -    | 350 |    |
| Diode forward voltage            | $V_{SD}$      | $V_{GS}=0\text{ V}, I_F=30\text{ A},$<br>$T_J=25\text{ }^\circ\text{C}$ | - | 0.89 | 1.1 | V  |
| Reverse recovery charge          | $Q_{rr}$      | $V_R=15\text{ V}, I_F=I_S,$<br>$di_F/dt=400\text{ A}/\mu\text{s}$       | - | -    | 10  | nC |

<sup>6)</sup> See figure 16 for gate charge parameter definition

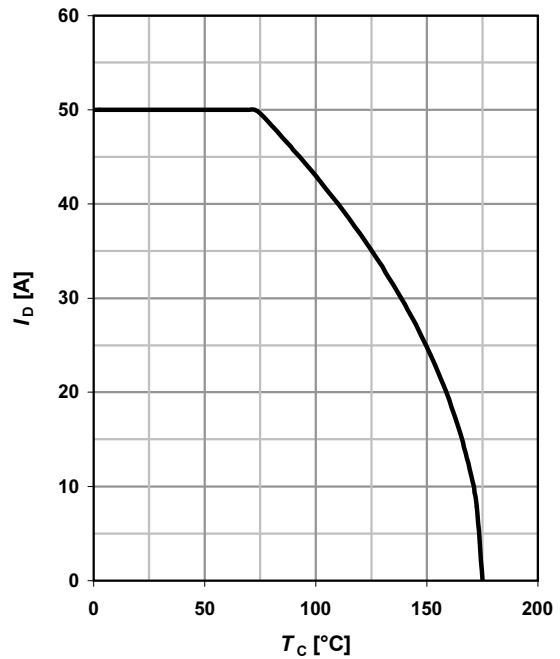
### 1 Power dissipation

$$P_{\text{tot}} = f(T_C)$$



### 2 Drain current

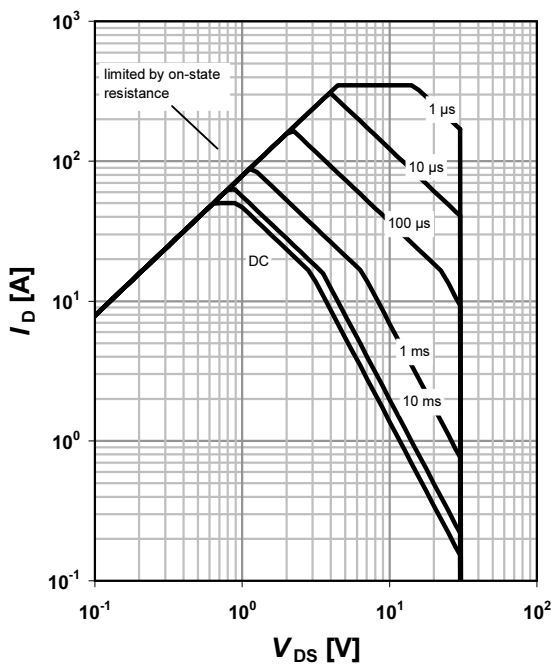
$$I_D = f(T_C); V_{GS} \geq 10 \text{ V}$$



### 3 Safe operating area

$$I_D = f(V_{DS}); T_C = 25^\circ\text{C}; D = 0$$

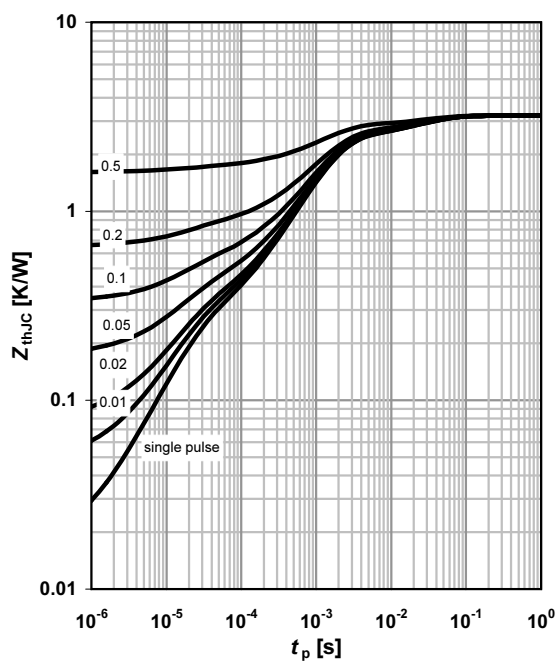
parameter:  $t_p$



### 4 Max. transient thermal impedance

$$Z_{\text{thJC}} = f(t_p)$$

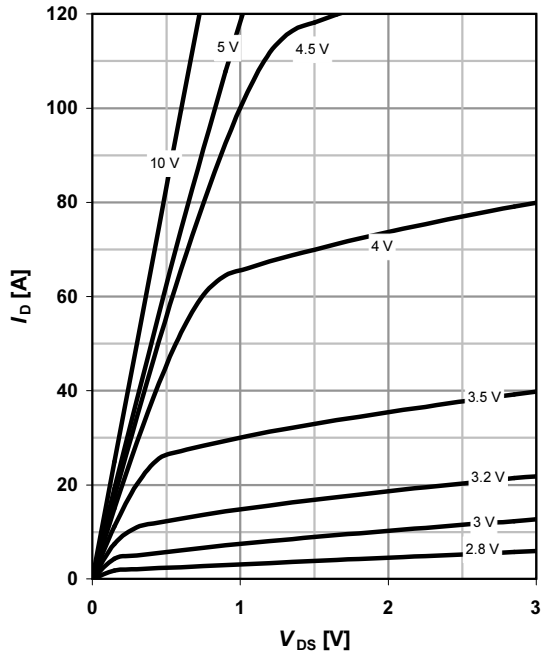
parameter:  $D = t_p/T$



**5 Typ. output characteristics**

$I_D = f(V_{DS}); T_j = 25^\circ\text{C}$

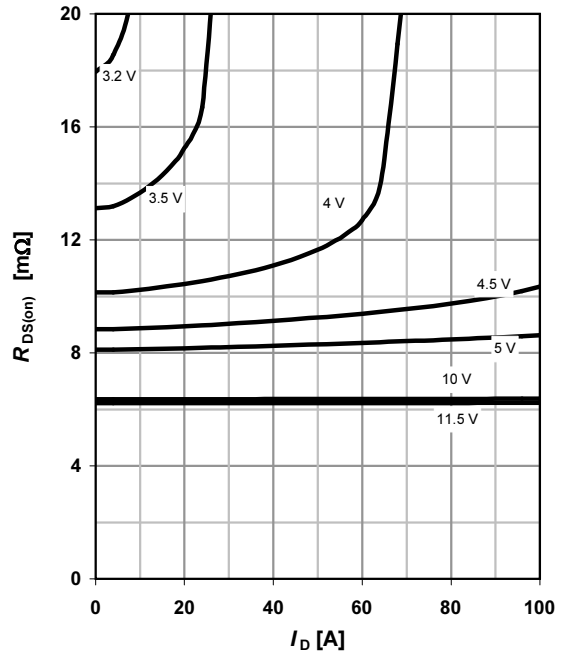
parameter:  $V_{GS}$



**6 Typ. drain-source on resistance**

$R_{DS(on)} = f(I_D); T_j = 25^\circ\text{C}$

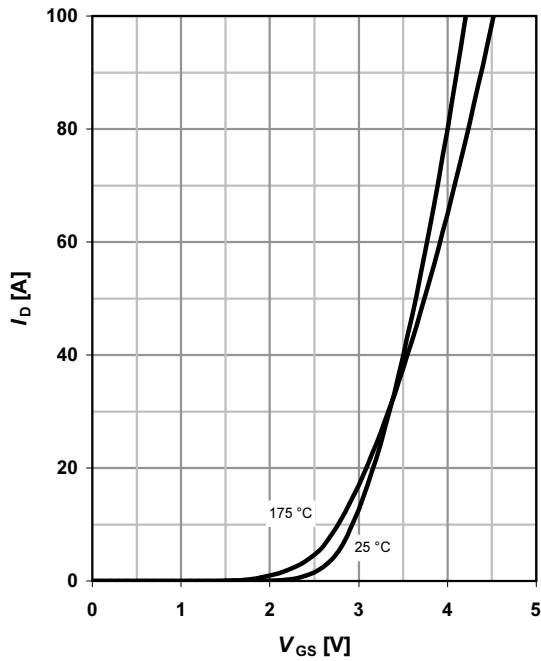
parameter:  $V_{GS}$



**7 Typ. transfer characteristics**

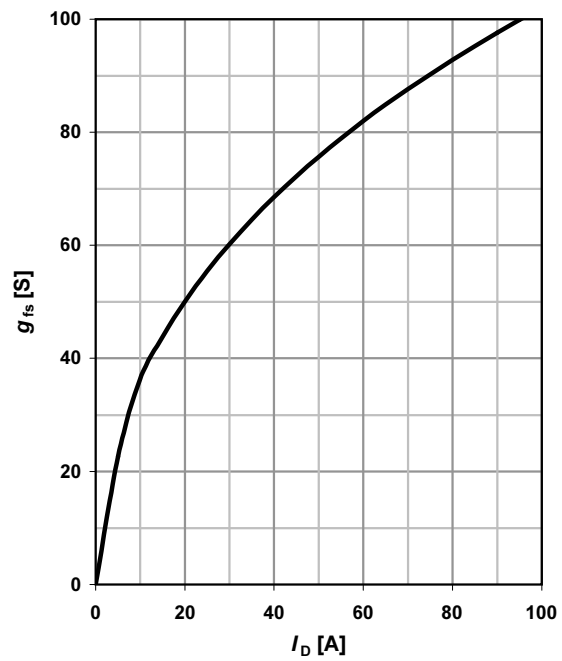
$I_D = f(V_{GS}); |V_{DS}| > 2|I_D|R_{DS(on)max}$

parameter:  $T_j$



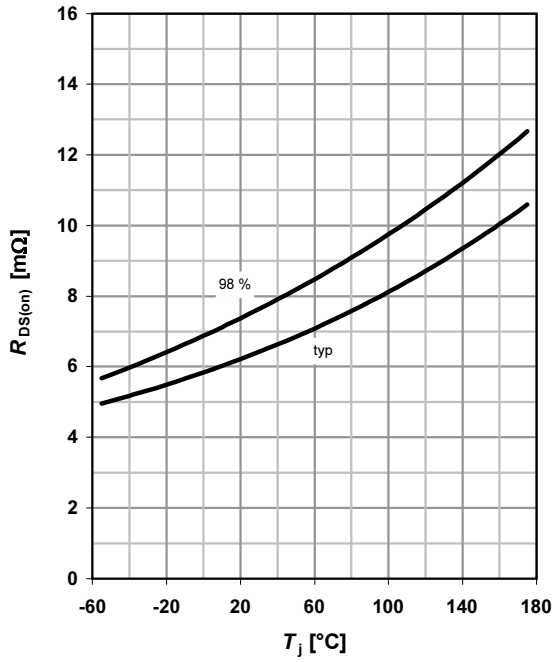
**8 Typ. forward transconductance**

$g_{fs} = f(I_D); T_j = 25^\circ\text{C}$



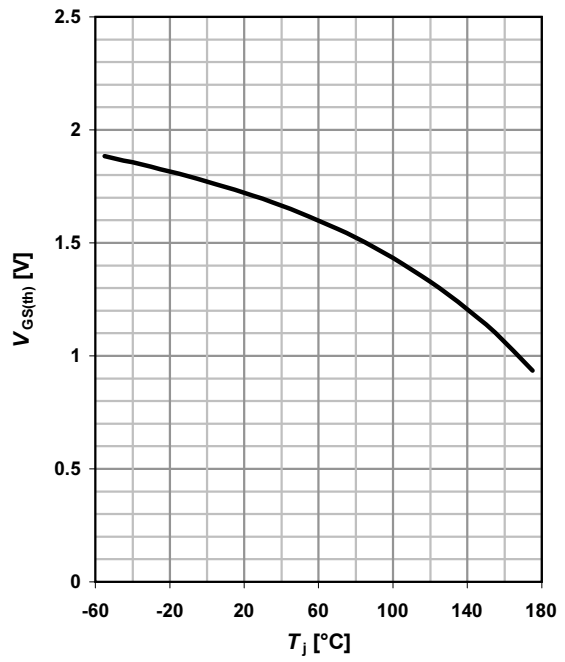
**9 Drain-source on-state resistance**

$R_{DS(on)} = f(T_j); I_D = 30 \text{ A}; V_{GS} = 10 \text{ V}$



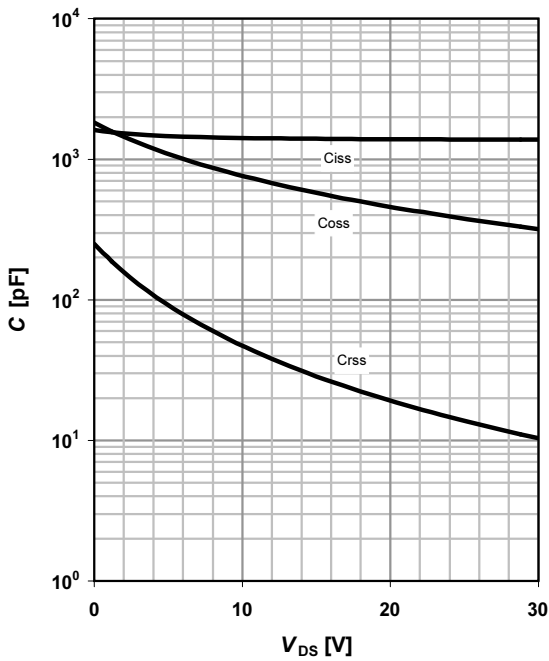
**10 Typ. gate threshold voltage**

$V_{GS(th)} = f(T_j); V_{GS} = V_{DS}; I_D = 250 \mu\text{A}$



**11 Typ. capacitances**

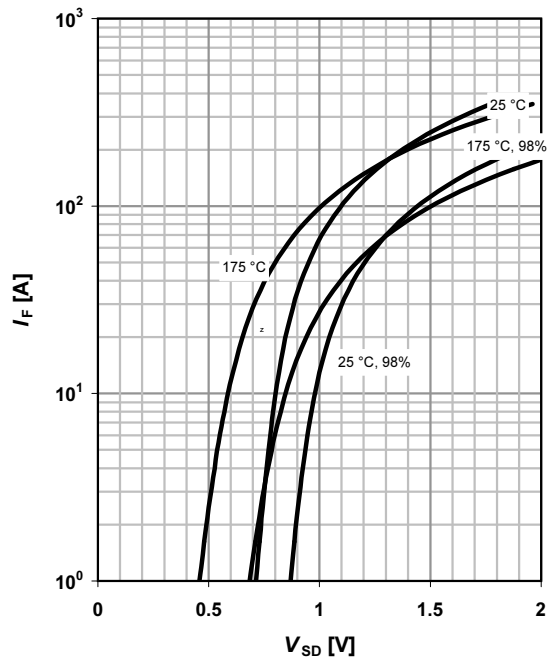
$C = f(V_{DS}); V_{GS} = 0 \text{ V}; f = 1 \text{ MHz}$



**12 Forward characteristics of reverse diode**

$I_F = f(V_{SD})$

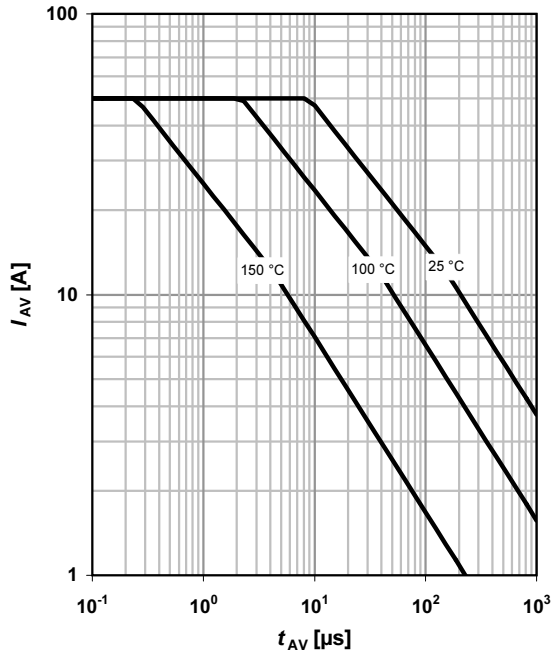
parameter:  $T_j$



### 13 Avalanche characteristics

$$I_{AS} = f(t_{AV}); R_{GS} = 25 \Omega$$

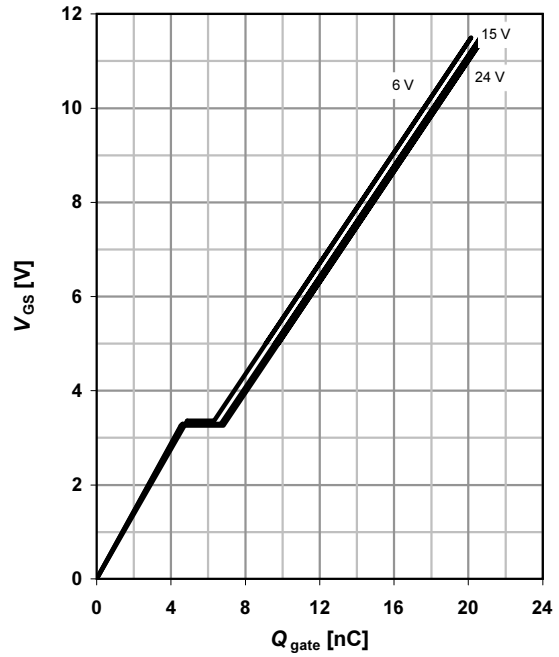
parameter:  $T_{j(\text{start})}$



### 14 Typ. gate charge

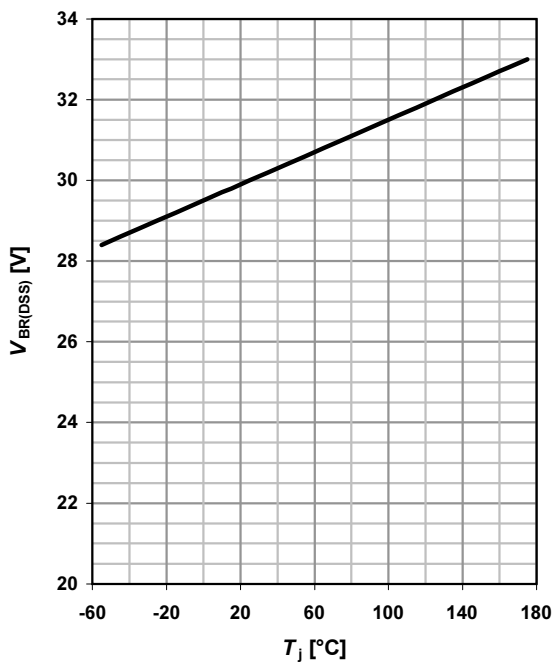
$$V_{GS} = f(Q_{\text{gate}}); I_D = 30 \text{ A pulsed}$$

parameter:  $V_{DD}$



### 15 Drain-source breakdown voltage

$$V_{BR(DSS)} = f(T_j); I_D = 1 \text{ mA}$$

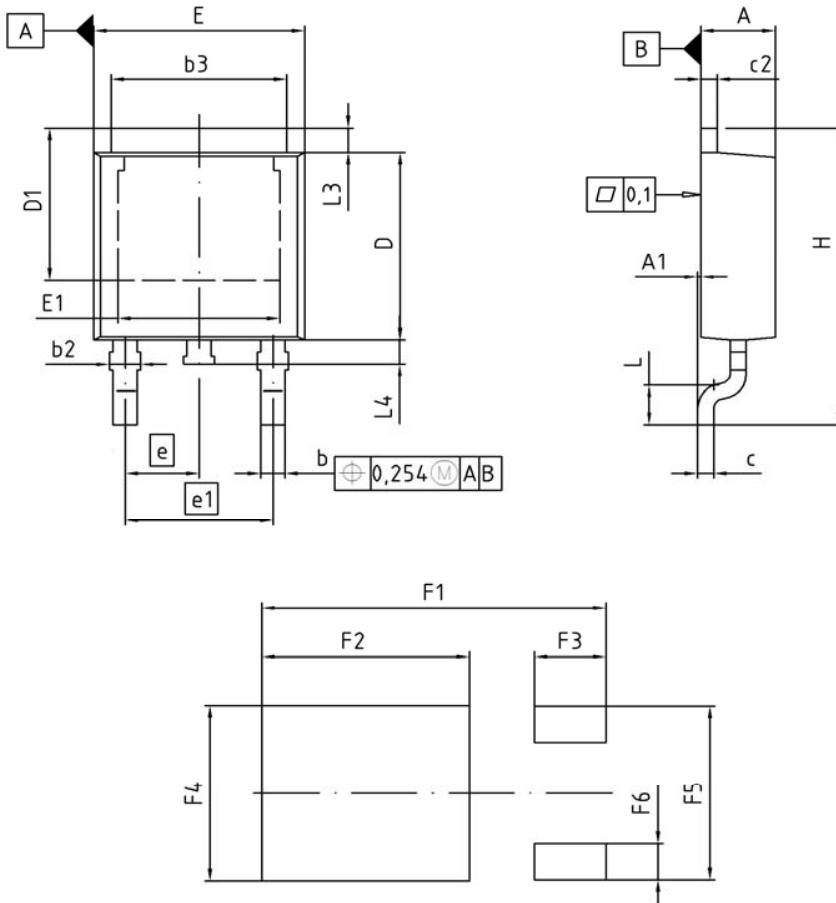


### 16 Gate charge waveforms



Package Outline

PG-TO252-3-11



| DIM | MILLIMETERS |       | INCHES |       |
|-----|-------------|-------|--------|-------|
|     | MIN         | MAX   | MIN    | MAX   |
| A   | 2.16        | 2.41  | 0.085  | 0.095 |
| A1  | 0.00        | 0.15  | 0.000  | 0.006 |
| b   | 0.64        | 0.89  | 0.025  | 0.035 |
| b2  | 0.65        | 1.15  | 0.026  | 0.045 |
| b3  | 5.00        | 5.50  | 0.197  | 0.217 |
| c   | 0.46        | 0.60  | 0.018  | 0.024 |
| c2  | 0.46        | 0.98  | 0.018  | 0.039 |
| D   | 5.97        | 6.22  | 0.235  | 0.245 |
| D1  | 5.02        | 5.84  | 0.198  | 0.230 |
| E   | 6.40        | 6.73  | 0.252  | 0.265 |
| E1  | 4.70        | 5.21  | 0.185  | 0.205 |
| e   | 2.29        |       | 0.090  |       |
| e1  | 4.57        |       | 0.180  |       |
| N   | 3           |       | 3      |       |
| H   | 9.40        | 10.48 | 0.370  | 0.413 |
| L   | 1.18        | 1.70  | 0.046  | 0.067 |
| L3  | 0.90        | 1.25  | 0.035  | 0.049 |
| L4  | 0.51        | 1.00  | 0.020  | 0.039 |
| F1  | 10.50       | 10.70 | 0.413  | 0.421 |
| F2  | 6.30        | 6.50  | 0.248  | 0.256 |
| F3  | 2.10        | 2.30  | 0.083  | 0.091 |
| F4  | 5.70        | 5.90  | 0.224  | 0.232 |
| F5  | 5.66        | 5.86  | 0.223  | 0.231 |
| F6  | 1.10        | 1.30  | 0.043  | 0.051 |

DOCUMENT NO.  
Z8B00003328

SCALE

EUROPEAN PROJECTION

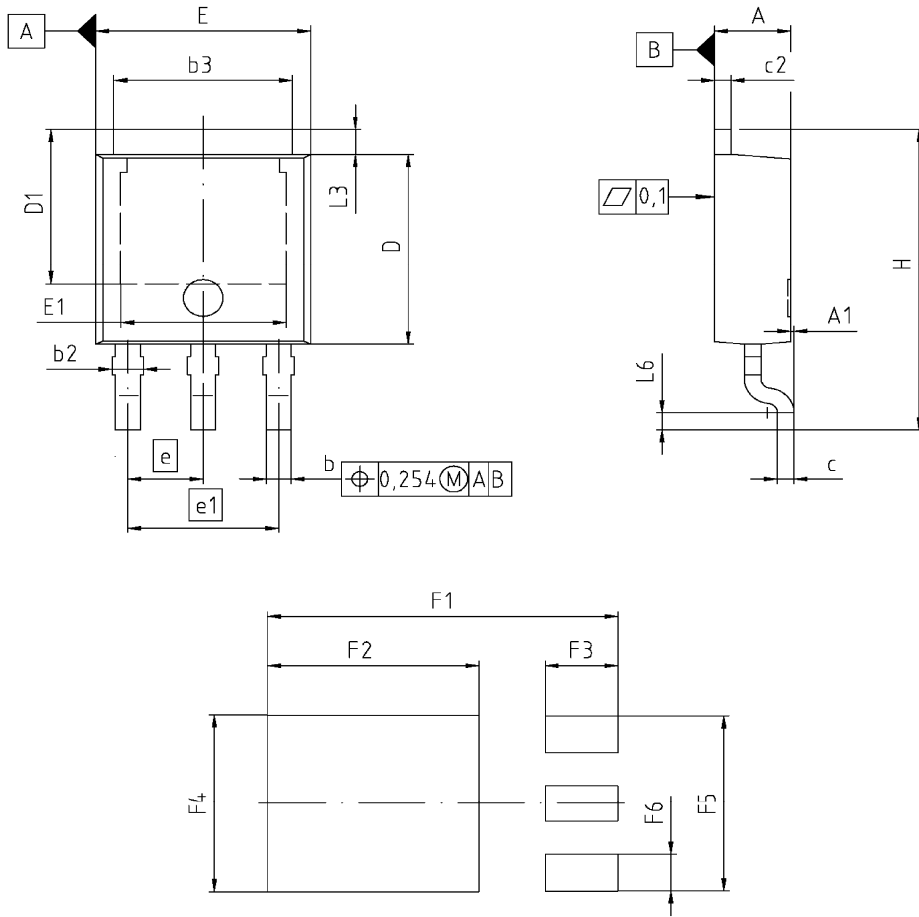
ISSUE DATE  
19-10-2007

REVISION  
03



Package Outline

PG-TO252-3-23



| DIM | MILLIMETERS |        | INCHES |       |
|-----|-------------|--------|--------|-------|
|     | MIN         | MAX    | MIN    | MAX   |
| A   | 2.159       | 2.413  | 0.085  | 0.095 |
| A1  | 0.000       | 0.150  | 0.000  | 0.006 |
| b   | 0.635       | 0.889  | 0.025  | 0.035 |
| b2  | 0.650       | 1.150  | 0.026  | 0.045 |
| b3  | 5.004       | 5.500  | 0.197  | 0.217 |
| c   | 0.457       | 0.580  | 0.018  | 0.023 |
| c2  | 0.460       | 0.980  | 0.018  | 0.039 |
| D   | 5.969       | 6.223  | 0.235  | 0.245 |
| D1  | 5.020       | 5.842  | 0.198  | 0.230 |
| E   | 6.400       | 6.731  | 0.252  | 0.265 |
| E1  | 4.850       | 5.207  | 0.191  | 0.205 |
| e   | 2.286       |        | 0.090  |       |
| e1  | 4.572       |        | 0.180  |       |
| N   | 3           |        | 3      |       |
| H   | 9.400       | 10.480 | 0.370  | 0.413 |
| L3  | 0.900       | 1.143  | 0.035  | 0.045 |
| L4  | 0.584       | 0.950  | 0.023  | 0.037 |
| L6  | 0.510       | 0.686  | 0.020  | 0.027 |
| F1  | 10.500      | 10.700 | 0.413  | 0.421 |
| F2  | 6.300       | 6.500  | 0.248  | 0.256 |
| F3  | 2.100       | 2.300  | 0.083  | 0.091 |
| F4  | 5.700       | 5.900  | 0.224  | 0.232 |
| F5  | 5.660       | 5.860  | 0.222  | 0.231 |
| F6  | 1.100       | 1.300  | 0.043  | 0.051 |

REFERENCE  
- / -

SCALE  
0 2.0 4.0  
4mm

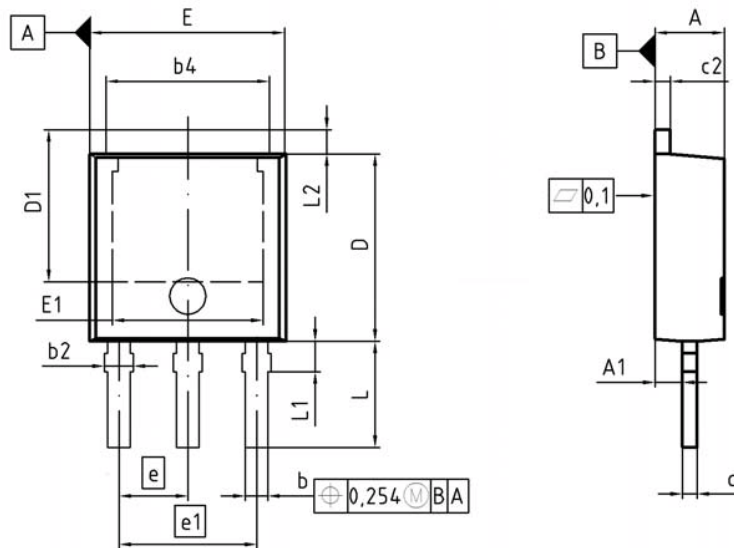
EUROPEAN PROJECTION

ISSUE DATE  
21-09-2005

FILE  
TO252\_2

Package Outline

PG-TO251-3-11



| DIM | MILLIMETERS |      | INCHES |       |
|-----|-------------|------|--------|-------|
|     | MIN         | MAX  | MIN    | MAX   |
| A   | 2.18        | 2.39 | 0.086  | 0.094 |
| A1  | 0.80        | 1.14 | 0.031  | 0.045 |
| b   | 0.64        | 0.89 | 0.025  | 0.035 |
| b2  | 0.65        | 1.15 | 0.026  | 0.045 |
| b4  | 4.95        | 5.50 | 0.195  | 0.217 |
| c   | 0.46        | 0.58 | 0.018  | 0.023 |
| c2  | 0.46        | 0.89 | 0.018  | 0.035 |
| D   | 5.97        | 6.22 | 0.235  | 0.245 |
| D1  | 5.04        | 5.44 | 0.198  | 0.214 |
| E   | 6.35        | 6.73 | 0.250  | 0.265 |
| E1  | 4.90        | 5.10 | 0.193  | 0.201 |
| e   | 2.29        |      | 0.090  |       |
| e1  | 4.57        |      | 0.180  |       |
| N   | 3           |      | 3      |       |
| L   | 3.40        | 3.60 | 0.134  | 0.142 |
| L1  | 0.90        | 1.10 | 0.035  | 0.043 |
| L2  | 0.90        | 1.10 | 0.035  | 0.043 |

DOCUMENT NO.  
Z8B00003329

SCALE

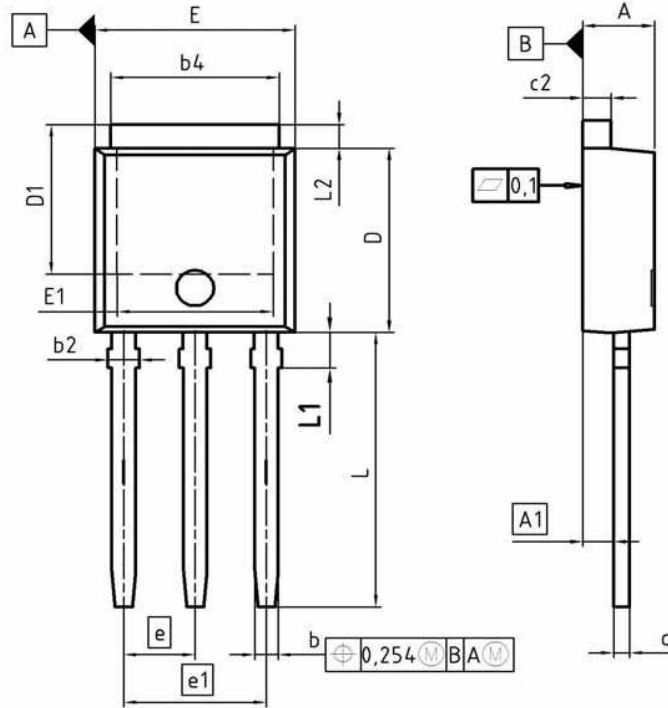
EUROPEAN PROJECTION

ISSUE DATE  
17-01-2008

REVISION  
03

Package Outline

PG-TO251-3-21



| DIM | MILLIMETERS |      | INCHES |       |
|-----|-------------|------|--------|-------|
|     | MIN         | MAX  | MIN    | MAX   |
| A   | 2.16        | 2.41 | 0.085  | 0.095 |
| A1  | 0.90        | 1.14 | 0.035  | 0.045 |
| b   | 0.64        | 0.89 | 0.025  | 0.035 |
| b2  | 0.65        | 1.15 | 0.026  | 0.045 |
| b4  | 4.95        | 5.50 | 0.195  | 0.217 |
| c   | 0.46        | 0.60 | 0.018  | 0.024 |
| c2  | 0.46        | 0.89 | 0.018  | 0.035 |
| D   | 5.97        | 6.22 | 0.235  | 0.245 |
| D1  | 5.04        | 5.77 | 0.198  | 0.227 |
| E   | 6.35        | 6.73 | 0.250  | 0.265 |
| E1  | 4.70        | 5.21 | 0.185  | 0.205 |
| e   | 2.29        |      | 0.090  |       |
| e1  | 4.57        |      | 0.180  |       |
| N   | 3           |      | 3      |       |
| L   | 8.89        | 9.65 | 0.350  | 0.380 |
| L1  | 1.90        | 2.29 | 0.075  | 0.090 |
| L2  | 0.89        | 1.37 | 0.035  | 0.054 |

DOCUMENT NO.  
Z8B00003330

SCALE

EUROPEAN PROJECTION

ISSUE DATE  
19-03-2008

REVISION  
03



IPD075N03L G    IPF075N03L G  
IPS075N03L G    IPU075N03L G

---

**Published by**  
Infineon Technologies AG  
81726 Munich, Germany  
© 2008 Infineon Technologies AG  
All Rights Reserved.

#### **Legal Disclaimer**

The information given in this document shall in no event be regarded as a guarantee of conditions or characteristics. With respect to any examples or hints given herein, any typical values stated herein and/or any information regarding the application of the device, Infineon Technologies hereby disclaims any and all warranties and liabilities of any kind, including without limitation, warranties of non-infringement of intellectual property rights of any third party.

#### **Information**

For further information on technology, delivery terms and conditions and prices, please contact the nearest Infineon Technologies Office ([www.infineon.com](http://www.infineon.com)).

#### **Warnings**

Due to technical requirements, components may contain dangerous substances. For information on the types in question, please contact the nearest Infineon Technologies Office. The Infineon Technologies component described in this Data Sheet may be used in life-support devices or systems and/or automotive, aviation and aerospace applications or systems only with the express written approval of Infineon Technologies, if a failure of such components can reasonably be expected to cause the failure of that life-support, automotive, aviation and aerospace device or system or to affect the safety or effectiveness of that device or system. Life support devices or systems are intended to be implanted in the human body or to support and/or maintain and sustain and/or protect human life. If they fail, it is reasonable to assume that the health of the user or other persons may be endangered.