

ISSUE 2; March 2016

**Description**

- Industry standard package SMD crystal.  
Resistance welded, hermetically sealed in an inert atmosphere, glass to metal seals on leads. Lead wires are mounted onto a plastic former to create a gull wing mount. Suitable for Industrial applications qualified to AEC-Q200. Please see our HC49/4HSMX for standard stock alternative.

**Frequency Parameters**

- Frequency 3.01MHz to 100.0MHz
- Frequency Tolerance  $\pm 10.00\text{ppm}$  to  $\pm 50.00\text{ppm}$
- Frequency Stability  $\pm 15.00\text{ppm}$  to  $\pm 100.00\text{ppm}$
- Ageing  $\pm 5\text{ppm}$  max per year @ 25°C

**Electrical Parameters**

- Load Capacitance (CL) 16.0pF
- Shunt Capacitance (C0) 7pF max
- Drive Level 50µW standard

**Operating Temperature Ranges**

- 40 to 85°C
- 20 to 125°C

**Environmental Parameters**

- Storage Temperature Range: -40 to 150°C
- Qualified to AEC-Q200

**Ordering Information**

- Frequency\*  
Model\*  
Frequency Tolerance (@25°C)\*  
Frequency Stability (over operating temperature range)\*  
Operating Temperature Range\*  
Load Capacitance\*  
Overtone\*
- Example  
10.0MHz IQXC-33  
30/50/-40 to 85C/16 FUND

**Compliance**

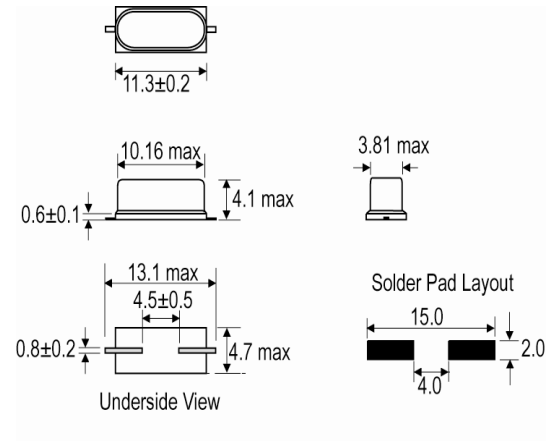
- RoHS Status (2011/65/EU) Compliant
- REACH Status Compliant
- MSL Rating (JDEC-STD-033): Not Applicable

**Packaging Details**

- Pack Style: Reel Tape & reel in accordance with EIA-481-D  
Pack Size: 1,000
- Pack Style: Bulk Loose in bulk pack  
Pack Size: 100



Outline (mm)



**Sales Office Contact Details:**

UK: +44 (0)1460 270200  
Germany: 0800 1808 443

France: 0800 901 383  
USA: +1.760.318.2824

Email: [info@iqdfrequencyproducts.com](mailto:info@iqdfrequencyproducts.com)  
Web: [www.iqdfrequencyproducts.com](http://www.iqdfrequencyproducts.com)

**Electrical Specification - maximum limiting values**

Frequency Min	Frequency Max	Temperature Range	Stability (Min)	Over Tone Order	ESR
		°C	ppm		Ω
3.01MHz	4.0MHz	-20 to 125 -40 to 85	±50 ±15	Fundamental	300
4.000001MHz	5.5MHz	-20 to 125 -40 to 85	±50 ±15	Fundamental	130
5.500001MHz	8.0MHz	-20 to 125 -40 to 85	±50 ±15	Fundamental	80
8.000001MHz	40.0MHz	-20 to 125 -40 to 85	±50 ±15	Fundamental	50
26.0MHz	100.0MHz	-20 to 125 -40 to 85	±50 ±15	3rd Overtone	100

\*Stability Maximum values ±100ppm

*This document was correct at the time of printing; please contact your local sales office for the latest version.  
[Click to view latest version on our website.](#)*

**Sales Office Contact Details:**

UK: +44 (0)1460 270200  
Germany: 0800 1808 443

France: 0800 901 383  
USA: +1.760.318.2824

Email: [info@iqdfrequencyproducts.com](mailto:info@iqdfrequencyproducts.com)  
Web: [www.iqdfrequencyproducts.com](http://www.iqdfrequencyproducts.com)