

ISSUE 10; November 2015

Description

- 5V supply AC MOS/TTL compatible output crystal oscillator in a 14-pin DIL metal package, hermetically sealed
- See IQXO-331 for product with Tri-state Operation

Frequency Parameters

- Frequency: 70.0MHz to 150.0MHz
- Frequency Stability: $\pm 25.00\text{ppm}$ to $\pm 100.00\text{ppm}$
- Ageing: $\pm 5\text{ppm}$ max per year

Electrical Parameters

- Supply Voltage: 5.0V $\pm 0.25\text{V}$
- Solderability: MIL-STD-202E, Method 208C

Operating Temperature Ranges

- 0 to 70°C
- 40 to 85°C

Output Details

- Output Compatibility: AC MOS/TTL

Drive Capability	
0.0MHz to 1,000,000.0MHz	10TTL
70.0MHz to 110.0MHz	50pF max
110.0MHz to 150.0MHz	15pF max

Environmental Parameters

- Shock: 981m/s², 6ms, 3 times in each of 3 mutually perpendicular planes
- Vibration: 10Hz-55Hz, 0.76mm displacement, 1min in each of 3 mutually perpendicular planes, duration 2hrs each plane
- Rapid Change of Temperature over Operating Temperature Range: 10 cycles
- Hermetic Seal: Not to exceed 1 x 10⁻⁸ mBar litres of Helium leakage
- Terminal Strength: 0.91kg max force perpendicular to top and bottom
- Storage Temperature Range: -55 to 125°C

Ordering Information

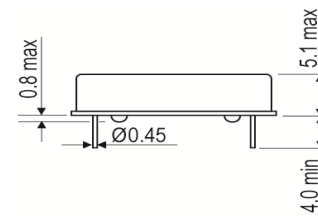
- Frequency*
- Model*
- Output
- Frequency Stability*
- Operating Temperature Range*
- Supply Voltage
- (*minimum required)
- Example
100.0MHz IQXO-336
AC MOS $\pm 50\text{ppm}$ 0 to 70C 5.0V

Compliance

- RoHS Status (2011/65/EU): Compliant
- REACH Status: Compliant
- MSL Rating (JDEC-STD-033): Not Applicable

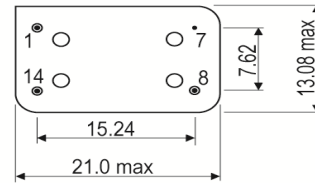


Outline (mm)

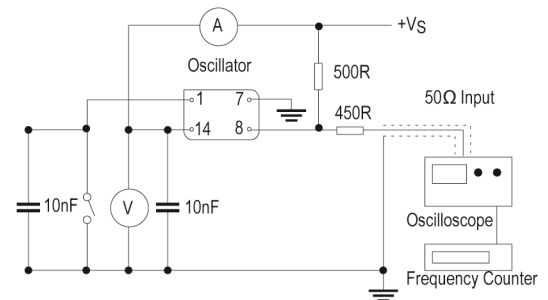


Pin Connections

- N/C
- GND
- GND
- Output
- +Vs



Test Circuit



Note: Pin 1 = No connection on non tri-state models

Sales Office Contact Details:

UK: +44 (0)1460 270200
Germany: 0800 1808 443

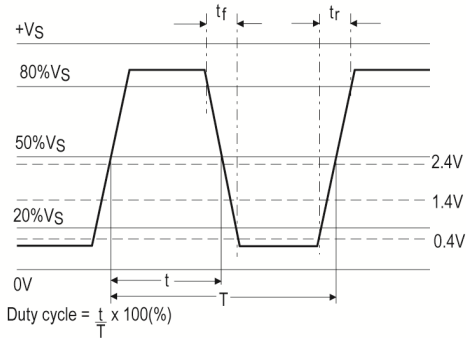
France: 0800 901 383
USA: +1.760.318.2824

Email: info@iqdfrequencyproducts.com
Web: www.iqdfrequencyproducts.com

Packaging Details

- Pack Style: Bulk Loose in bulk pack
- Pack Size: 25

Wave Form



Electrical Specification - maximum limiting values 5.0V ±0.25V

Frequency Min	Frequency Max	Temperature Range	Stability (Min)	Current Draw	Rise and Fall Time	Duty Cycle
		°C	ppm	mA	ns	%
70.0MHz	89.999999MHz	0 to 70 -40 to 85	±25.0 ±25.0	45 45	3 3	40/60% 40/60%
90.0MHz	114.999999MHz	0 to 70 -40 to 85	±25.0 ±25.0	60 60	3 3	40/60% 40/60%
115.0MHz	150.0MHz	0 to 70 -40 to 85	±25.0 ±25.0	65 65	3 3	40/60% 40/60%

This document was correct at the time of printing; please contact your local sales office for the latest version.

[Click to view latest version on our website.](#)

Sales Office Contact Details:

UK: +44 (0)1460 270200
 Germany: 0800 1808 443

France: 0800 901 383
 USA: +1.760.318.2824

Email: info@iqdfrequencyproducts.com
 Web: www.iqdfrequencyproducts.com