

IQXO-53, -57 SMD CLOCK OSCILLATORS

ISSUE 14; 1 NOVEMBER 2008 - RoHS 2002/95/EC

Description

- 5.0V surface mount oscillator in a 'J' lead plastic package

Fast Make Capability

- Please see CFPP-57 series Programmable Oscillators for nearest equivalent fast make parts

Package Outline

- 13 x 9mm

Frequency Range

- 1 to 60MHz

Output Compatibility & Load

- HCMOS
- Drive Capability 15pF max
- Tri-state (IQXO-57, -57I)
- Non tri-state (IQXO-53, 53I)

Standard Frequency Stabilities

- ±50ppm, ±100ppm (inclusive of supply voltage variations over the operating temperature range)

Operating Temperature Range

- 0 to 70°C (IQXO-53, -57)
- 40 to 85°C (IQXO-53I, -57I)

Storage Temperature Range

- 50 to 125°C

Tri-state Operation

- Logic '1' (2.0Vmin) to pad 1 enables oscillator output,
- Logic '0' (0.8Vmax) to pad 1 disables oscillator output; when disabled the oscillator output goes to the high impedance state
- No connection to pad 1 enables oscillator output
- When oscillator is enabled, maximum transition time = 100ns

Marking Includes

- Model Number + Frequency + Date Code

Packaging

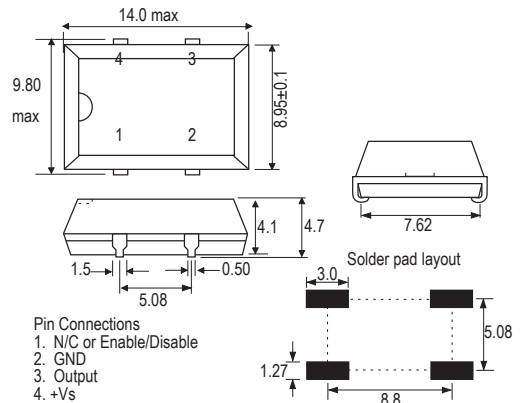
- Bulk or Tape and Reel

Minimum Order Information Required

- Frequency + Model Number + Frequency Stability + Operating Temperature Range (if applicable)

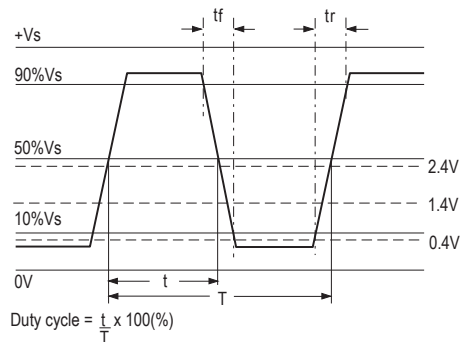
Outline (mm)

www.DataSheet4U.com

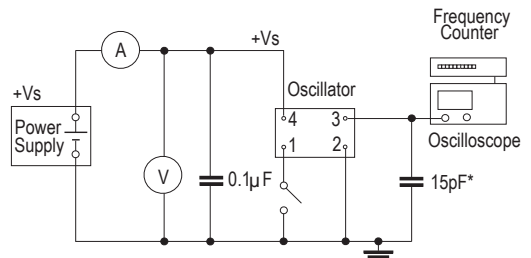


Note: Pin 1 = No connection on non tri-state models

Output Waveform



Test Circuit



Inclusive of jiggig and equipment capacitance

www.DataSheet4U.com



24G, China Phoenix Building No.2, No.2008 Shannan Road, Shenzhen, China 518026

Tel: +86(755)23990245 Fax: +86(755)23990241

Email: sales@newwoo.com Web: http://www.newwoo.com

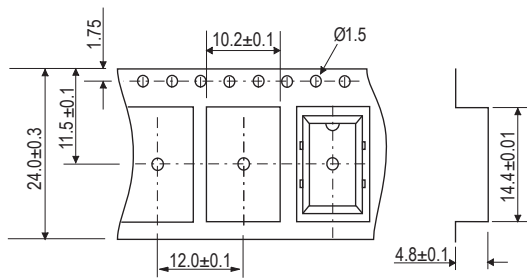
Electrical Specifications - maximum limiting values

| Frequency Range | Frequency Stability | Supply Voltage | Supply Current | Rise Time (tr) | Fall Time (tf) | Duty Cycle | Model Number |
|-------------------|---------------------|----------------|----------------|----------------|----------------|------------|-----------------------|
| 1.0 to < 26.0MHz | ±50ppm, ±100ppm | 5.0V ±0.5V | 15mA | 8ns | 8ns | 40/60% | IQXO-53, 53I, 57, 57I |
| 26.0 to < 40.0MHz | | | 30mA | | | | |
| 40.0 to < 50.0MHz | | | 38mA | 6ns | 6ns | | |
| 50.0 to 60.0MHz | | | | | | | |

Ordering Example 24.0MHz IQXO-57 I C
 Frequency _____
 Model Number: 57, 57I = Tri-state; 53, 53I = Non Tri-state _____
 Operating Temperature Code: I = -40 to 85°C; Not applicable for 0 to 70°C _____
 Frequency Stability: B = ±50ppm; C = ±100ppm _____

Please note that the rise and fall times listed are the maximum values we specify to cover various frequency breaks. In practice the actual values are generally lower depending upon the spot frequency chosen. For typical values please contact our sales office.
 For higher frequencies than shown above, please see our CFPP-57 Programmable Oscillator series.

Tape (mm)



Reel (mm)

