

# IR2C32A 7-Unit 60mA Transistor Array

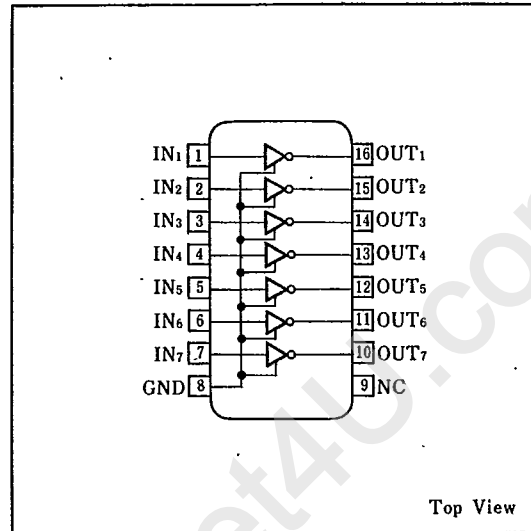
## Description

The IR2C32A is a 7-circuit driver.

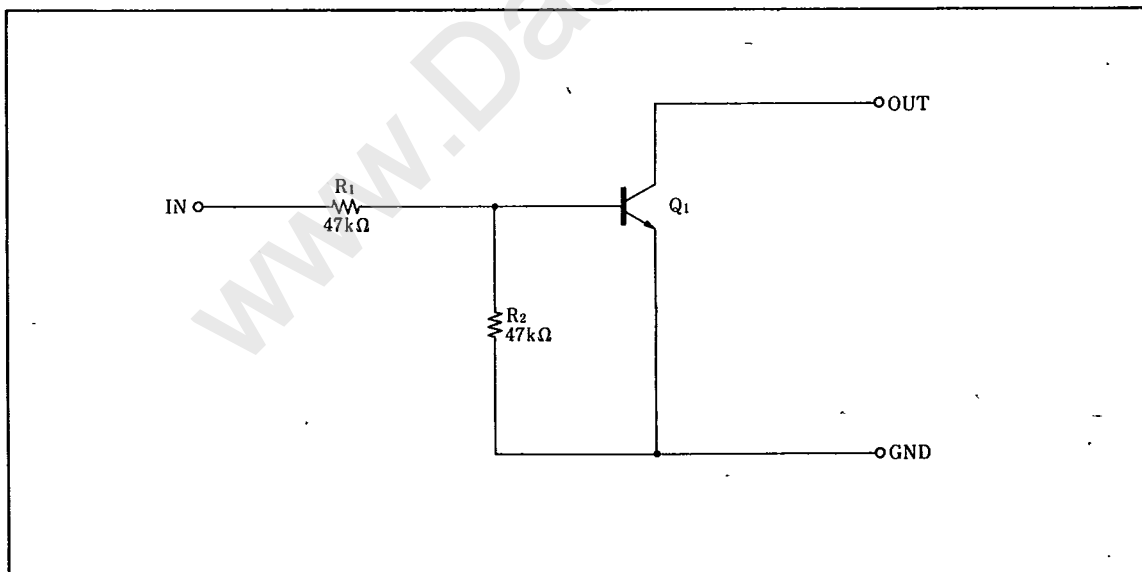
## Features

1. Output breakdown voltage  
 $BV_{CEO} = 20V$  (MAX.)
2. Output current capability  $I_{OUT} = 60mA$  (MAX.)
3. 16-pin dual-in-line package

## Pin Connections



## Equivalent Circuit



## 7-Unit 60mA Transistor Array

IR2C32A

## ■ Absolute Maximum Ratings

(Ta=25°C)

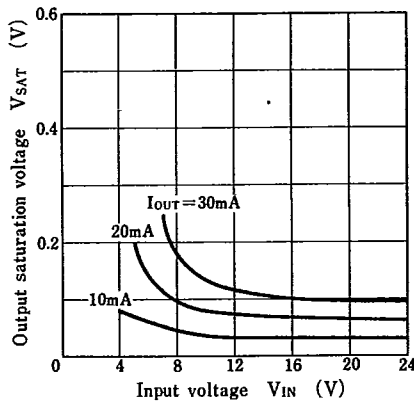
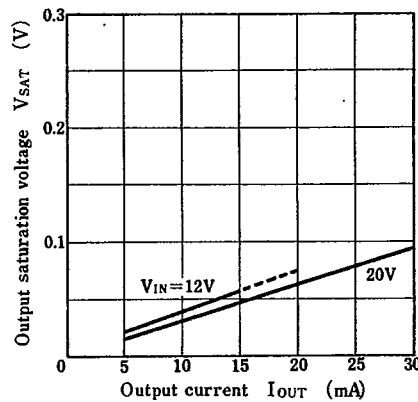
Parameter	Symbol	Condition	Rating	Unit
Output breakdown voltage	$BV_{CEO}$		20	V
Output current	$I_{OUT}$		60	mA
Input voltage	$V_{IN}$		0~25	V
Power dissipation	$P_D$	Ta≤25°C	950	mW
$P_D$ derating ratio	$\Delta P_D/^\circ C$	Ta>25°C	9.5	mW/°C
Operating temperature	$T_{OPF}$		-20~+85	°C
Storage temperature	$T_{STG}$		-55~+150	°C

## ■ Electrical Characteristics

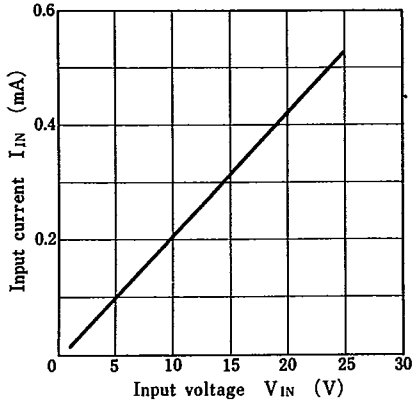
(Ta=-20~+85°C)

Parameter	Symbol	Condition	MIN.	TYP.	MAX.	Unit
OFF-state output current	$I_{O\ OFF}$	$V_{CEO}=20V, V_{IN}=0.2V$			10	$\mu A$
ON-state output current	$V_{O\ ON}$	$I_{OUT}=30mA, V_{IN}=20V$		0.15	0.3	V
		$I_{OUT}=15mA, V_{IN}=12V$		0.07	0.15	
Input current	$I_{IN}$	$V_{IN}=20V$		0.4	0.8	mA
		$V_{IN}=12V$		0.25	0.5	
Input "High" voltage	$V_{IH}$	$I_{OUT}=30mA, V_{CEO}=0.3V$	20			V
		$I_{OUT}=15mA, V_{CEO}=0.15V$	12			
Input "Low" voltage	$V_{IL}$				0.2	V

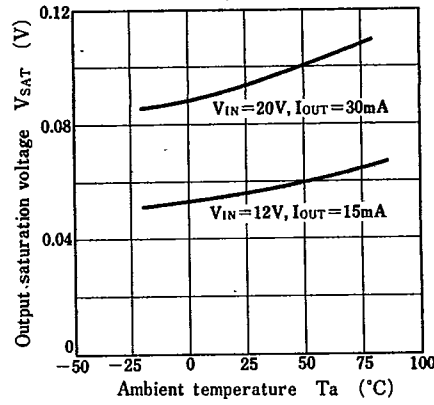
## ■ Electrical Characteristic Curves (Unless otherwise specified, Ta=25°C)

Output saturation voltage—  
Input voltage CharacteristicsOutput saturation voltage—  
Output current Characteristics

Input current— Input voltage Characteristics



Output saturation voltage — Ambient temperature Characteristics



Input current— Ambient temperature Characteristics

