

IR2C33 7-Unit 60mA Transistor Array

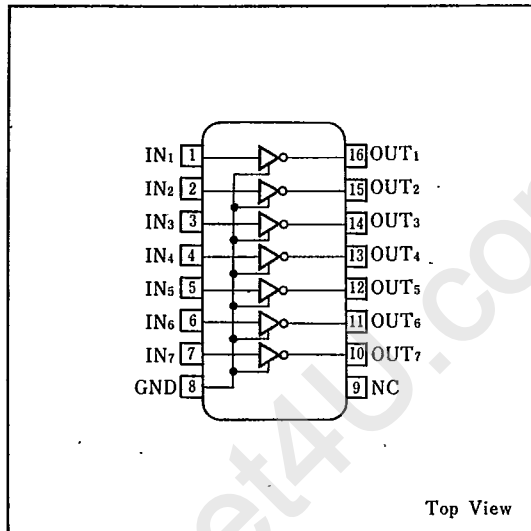
Description

The IR2C33 is a 7-circuit driver.

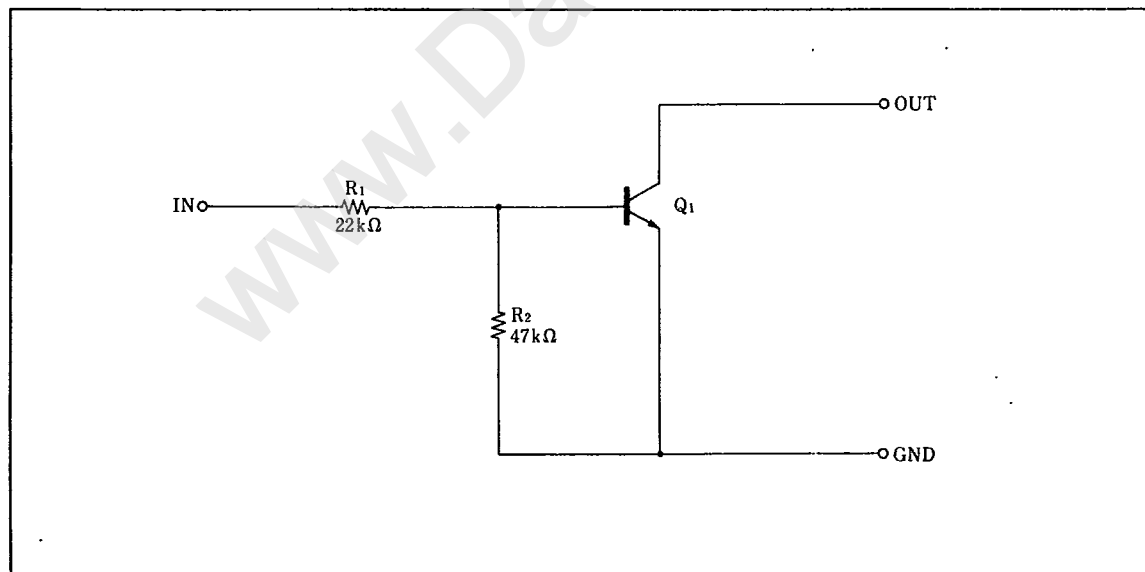
Features

1. Output breakdown voltage $BV_{CEO} = 20V$ (MAX.)
2. Output current capability $I_{OUT} = 60mA$ (MAX.)
3. 16-pin dual-in-line package

Pin Connections



Equivalent Circuit



7-Unit 60mA Transistor Array

IR2C33

Absolute Maximum Ratings

(Ta=25°C)

Parameter	Symbol	Condition	Rating	Unit
Input voltage	V _{IN}		0~25	V
Output breakdown voltage	BV _{CEO}		20	V
Output current	I _{OUT}		60	mA
Power dissipation	P _D	Ta ≤ 25°C	950	mW
P _D derating ratio	ΔP _D /°C	Ta > 25°C	9.5	mW/°C
Operating temperature	T _{opr}		-20~+85	°C
Storage temperature	T _{stg}		-55~+150	°C

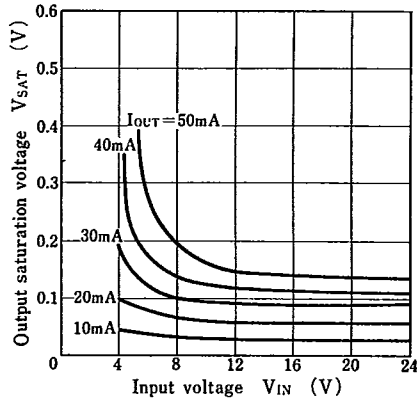
Electrical Characteristics

(Ta=-20~+85°C)

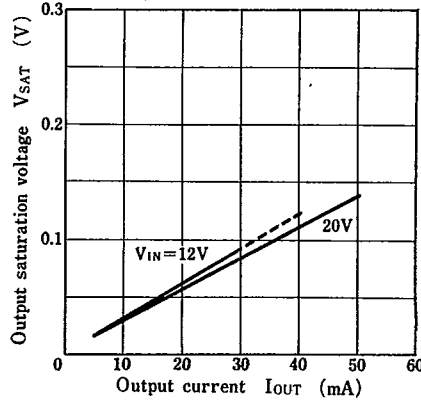
Parameter	Symbol	Condition	MIN.	TYP.	MAX.	Unit
OFF-state output current	I _{O OFF}	V _{CEO} =20V, V _{IN} =0.2V			10	μA
ON-state output current	V _{O ON}	I _{OUT} =50mA, V _{IN} =20V		0.12	0.5	V
		I _{OUT} =30mA, V _{IN} =12V		0.08	0.3	
Input current	I _{IN}	V _{IN} =20V		0.9	1.8	mA
		V _{IN} =12V		0.5	1	
Input "High" voltage	V _{IH}	I _{OUT} =50mA, V _{CEO} =0.5V	20			V
		I _{OUT} =30mA, V _{CEO} =0.3V	12			
Input "Low" voltage	V _{IL}				0.2	V

Electrical Characteristic Curves (Unless otherwise specified, Ta=25°C)

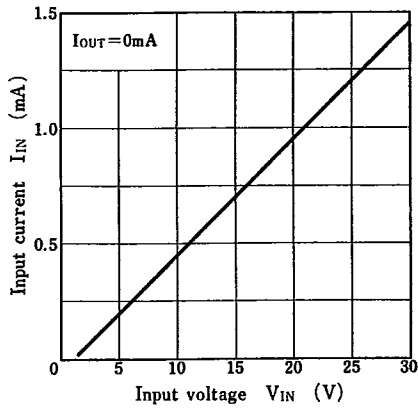
Output saturation voltage—
Input voltage Characteristics



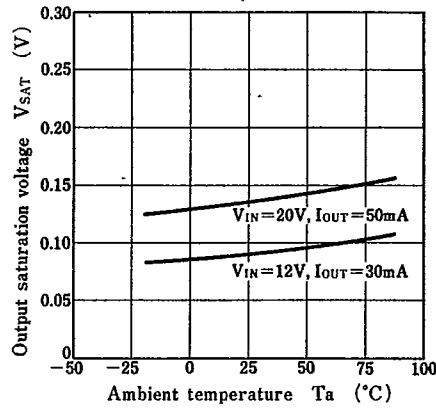
Output saturation voltage—
Output current Characteristics



Input current—Input voltage Characteristics



Output saturation voltage— Ambient temperature Characteristics



Input current—Ambient temperature Characteristics

