

### PROGRAMMABLE CURRENT SENSE HIGH SIDE SWITCH

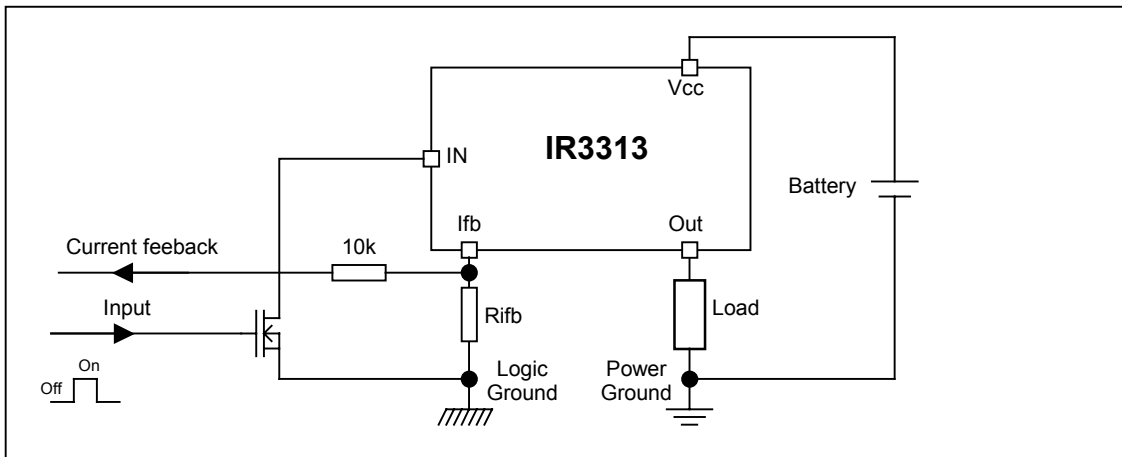
#### Features

- Load current feedback
- Programmable over current shutdown
- Active clamp
- ESD protection
- Input referenced to Vcc
- Over temperature shutdown
- Reverse battery protection

#### Description

The IR3313S is a fully protected 4 terminals high side switch. The input signal is referenced to Vcc. When the input voltage  $V_{cc} - V_{in}$  is higher than the specified threshold, the output Mosfet is turned on. When the  $V_{cc} - V_{in}$  is lower than the specified  $V_{il}$  threshold, the output Mosfet is turned off. A current proportional to the power Mosfet current is sourced to the Ifb pin. Over current shutdown occurs when  $V_{st} - V_{in} > 4.5V$ . The current shutdown threshold is adjusted by selecting the proper Rlfb. Either over current and over temperature latches off the switch. The device is reset by pulling the input pin high. Other integrated protections (ESD, reverse battery, active clamp) make the switch very rugged in automotive environment.

#### Typical Connection



#### Product Summary

Rds(on)	7 mΩ max.
Vcc op.	6 to 32V
Current Ratio	8800
Prog. Ishutdown	10 to 90A
Vclamp	40V

#### Packages



D<sup>2</sup>Pak  
Pin 4 and 5 fused  
IR3313S

## Absolute Maximum Ratings

Absolute maximum ratings indicate sustained limits beyond which damage to the device may occur. All voltage parameters are referenced to Vcc lead. (Tambient=25°C unless otherwise specified).

Symbol	Parameter	Min.	Max.	Units
Vcc-Vin	Maximum Vcc voltage	-16	37	V
Vcc-Vin cont.	Maximum continuous Vcc voltage	-16	32	
Vcc-Vfb	Maximum Ifb voltage	-16	33	
Vcc-Vout	Maximum output voltage	-0.3	37	
I <sub>ds</sub> cont.	Maximum body diode continuous current Rth=60°C/W (1)	—	2.8	A
I <sub>ds</sub> pulsed	Maximum body diode pulsed current (1)	—	100	
Pd	Maximum power dissipation Rth=60°C/W	—	2	W
ESD1	Electrostatic discharge voltage (Human body) C=100pF, R=1500Ω	—	4	kV
ESD2	Electrostatic discharge voltage (Machine Model) C=200pF, R=0Ω	—	0.5	
Tj max.	Max. storage & operating temperature junction temperature	-40	150	°C
Min Rfb	Minimum on the resistor on Ifb pin	0.3	—	kΩ
Ifb max.	Max. Ifb current	-50	50	mA

(1) Limited by junction temperature. Pulsed is also limited by wiring

## Thermal Characteristics

Symbol	Parameter	Typ.	Max.	Units
Rth1	Thermal resistance junction to ambient D <sup>2</sup> -Pak Std footprint	60	—	°C/W
Rth2	Thermal resistance junction to case D <sup>2</sup> -Pak	0.7	—	

## Recommended Operating Conditions

These values are given for a quick design. For operation outside these conditions, please consult the application notes.

Symbol	Parameter	Min.	Max.	Units
I <sub>out</sub>	Continuous output current Tambient=85°C, Rth=60°C/W, Tj=125°C	—	7	A
R <sub>fb</sub>	Recommended Ifb resistor (2)(3)	0.5	3.5	kΩ
Pulse min.	Minimum turn-on pulse width	1	—	ms
F <sub>max</sub>	Maximum operating frequency	—	200	Hz

2) If R<sub>fb</sub> is too low, the device can be damaged.

3) If R<sub>fb</sub> is too high, the device may not switch on.

## Protection Characteristics

T<sub>j</sub>=25°C, R<sub>ifb</sub>=500 to 3.5kΩ

Symbol	Parameter	Min.	Typ.	Max.	Units	Test Conditions
V <sub>fb-Vin@I<sub>sd</sub></sub>	Over-current shutdown threshold	4	4.7	5.6	V	
T <sub>sd</sub>	Over temperature threshold	—	165	—	°C	See fig. 5
OV	Over voltage protection (not latched)	33	35	39	V	
I <sub>sd</sub> f	Fixed over current shutdown	90	120	140	A	V <sub>fb</sub> <V <sub>fb-Vin@I<sub>sd</sub></sub>
I <sub>sd_1k</sub>	Programmable over current shutdown 1k	30	40	50		R <sub>ifb</sub> =1kΩ
T <sub>reset</sub>	Time to reset protection	—	50	500	μs	See fig. 5
Min. pulse	Min. pulse width (no WAIT state)	200	400	1200		
WAIT	WAIT function timer	0.4	1	2	ms	See fig. 4 and 5
R <sub>ds(on) rev.</sub>	Reverse battery On state resistance	4	6.7	10	mΩ	V <sub>cc-Vin</sub> =-14V, I <sub>out</sub> =30A

## Static Electrical Characteristics

T<sub>j</sub>=25°C, V<sub>cc</sub>=14V (unless otherwise specified)

Symbol	Parameter	Min.	Typ.	Max.	Units	Test Conditions
V <sub>cc op.</sub>	Operating Voltage range	6	—	32	V	
I <sub>cc off</sub>	Supply leakage current	—	1.5	5	μA	V <sub>in</sub> =V <sub>cc</sub> , V <sub>cc-Vout</sub> =14V, V <sub>cc-Vifb</sub> =14V
I <sub>in, on</sub>	On state I <sub>N</sub> positive current	1.5	3	6	mA	V <sub>cc-Vin</sub> =14V
V <sub>ih</sub>	High level Input threshold voltage (4)	—	5.4	6.2	V	
V <sub>il</sub>	Low level Input threshold voltage (4)	4	4.9	5.8		
V <sub>hyst</sub>	Input hysteresis V <sub>ih</sub> -V <sub>il</sub>	0.2	0.4	1		
I <sub>out</sub>	Drain to source leakage current	—	1.2	5	μA	V <sub>in</sub> =V <sub>cc</sub> , V <sub>cc-Vifb</sub> =0V, V <sub>cc-Vout</sub> =14V
R <sub>ds(on)</sub>	On state resistance (5) T <sub>j</sub> =25°C	4	5.5	7	mΩ	I <sub>out</sub> =30A, V <sub>cc-Vin</sub> =14V
	On state resistance (5) T <sub>j</sub> =25°C	4	6	10		I <sub>out</sub> =17A, V <sub>cc-Vin</sub> =6V
	On state resistance (5) T <sub>j</sub> =150°C	7	10.5	13.5		I <sub>out</sub> =30A, V <sub>cc-Vin</sub> =14V
V <sub>clamp1</sub>	V <sub>cc</sub> to V <sub>out</sub> clamp voltage 1	36	39	—	V	I <sub>out</sub> =50mA
V <sub>clamp2</sub>	V <sub>cc</sub> to V <sub>out</sub> clamp voltage 2	—	40	43		I <sub>out</sub> =30A

(4) Input thresholds are measured directly between the input pin and the tab. Any parasitic resistance in common between the load current path and the input signal path can significantly affect the thresholds.

(5) R<sub>ds(on)</sub> is measured between the tab and the Out pin, 5mm away from the package.

## Switching Electrical Characteristics

V<sub>cc</sub>=14V, Resistive load=0.5Ω, T<sub>j</sub>=25°C

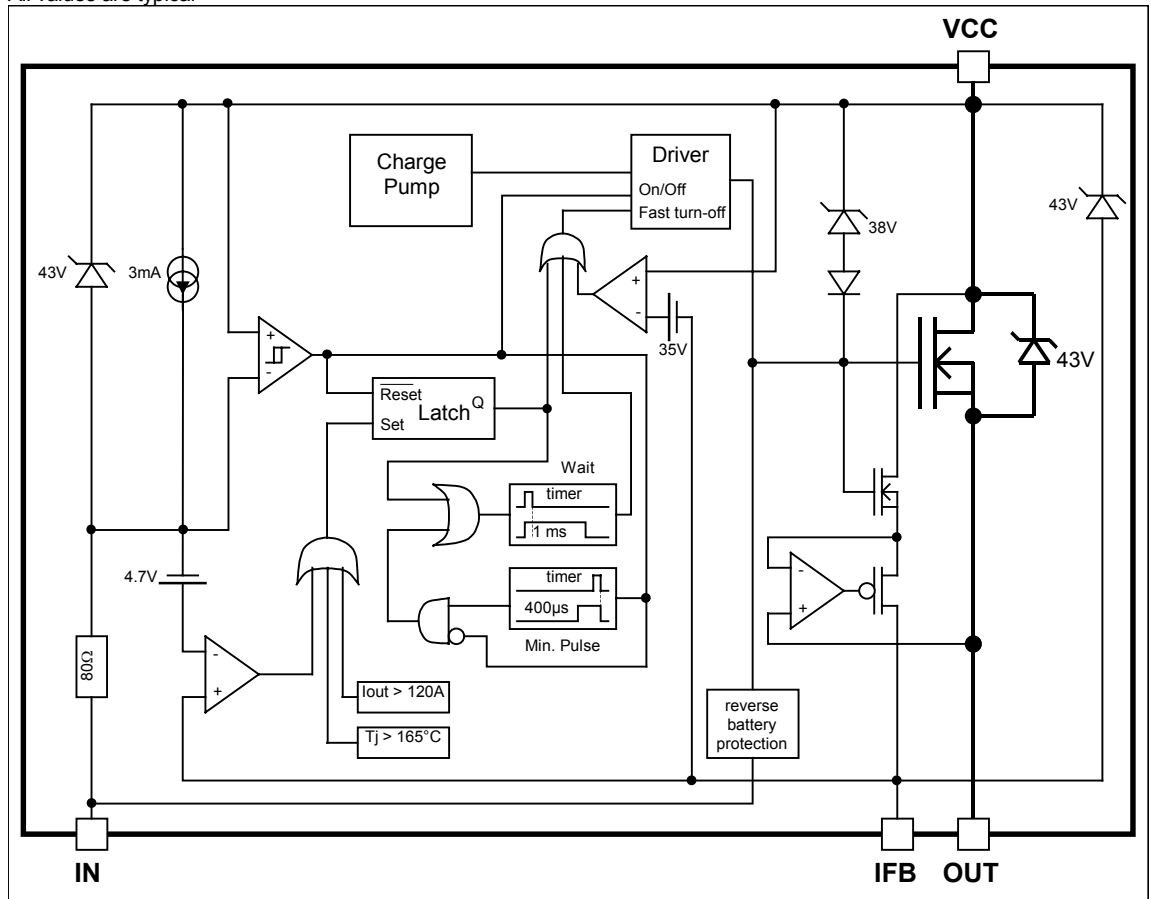
Symbol	Parameter	Min.	Typ.	Max.	Units	Test Conditions
T <sub>don</sub>	Turn on delay time to 10% V <sub>cc</sub>	8	32	80	μs	See figure 2
T <sub>r1</sub>	Rise time to V <sub>cc-Vout</sub> =5V	3	16	40		
T <sub>r2</sub>	Rise time to V <sub>cc-Vout</sub> =0.1V <sub>cc</sub>	10	40	100		
E <sub>on</sub>	Turn on energy	—	4.5	—	mJ	
T <sub>doff</sub>	Turn off delay time	20	80	200	μs	
T <sub>f</sub>	Fall time to V <sub>out</sub> =10% of V <sub>cc</sub>	8	32	80		
E <sub>off</sub>	Turn off energy	—	2	—	mJ	

**Current Sense Characteristics**

Symbol	Parameter	Min.	Typ.	Max.	Units	Test Conditions
Ratio	I Load/I <sub>fb</sub> current ratio	7,500	8,800	9,950	—	T <sub>j</sub> =25°C, R <sub>fb</sub> =500Ω, I <sub>out</sub> =60A
Ratio_TC	I Load/I <sub>fb</sub> variation aver temperature	-5	—	+5	%	T <sub>j</sub> =-40°C to 150°C
Offset	Load current diagnostic offset	-0.22	0	+0.2	A	I <sub>out</sub> =2A
Trst	I <sub>fb</sub> response time (low signal)	—	1	—	μs	90% of the I <sub>out</sub> step

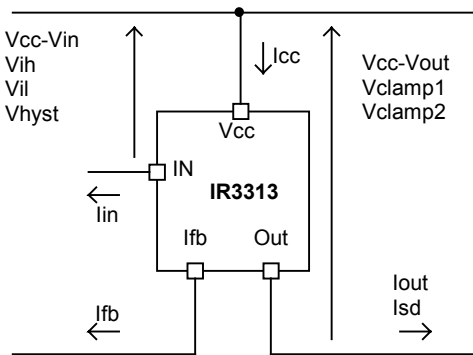
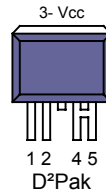
**Functional Block Diagram**

All values are typical

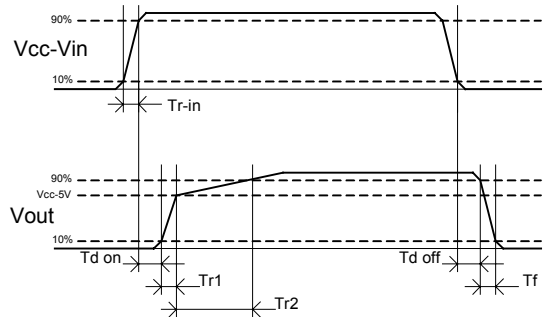


**Lead Assignments**

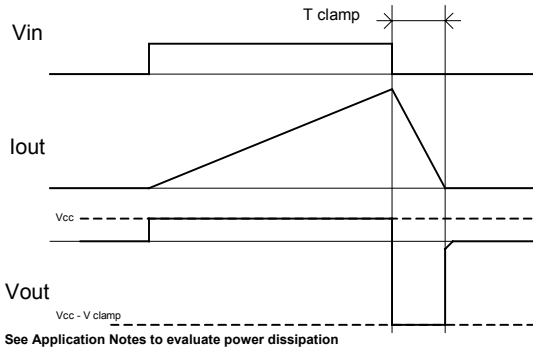
- 1- In
- 2- I<sub>fb</sub>
- 3- V<sub>cc</sub> (tab)
- 4- Out
- 5- Out



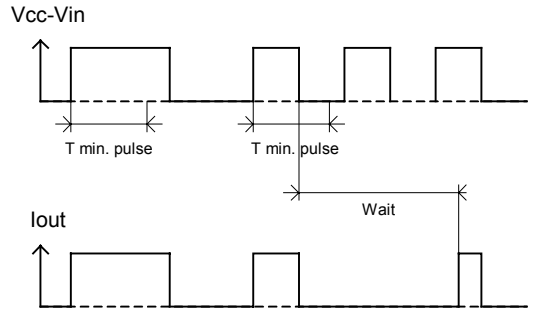
**Figure 1 – Voltages and current definitions**



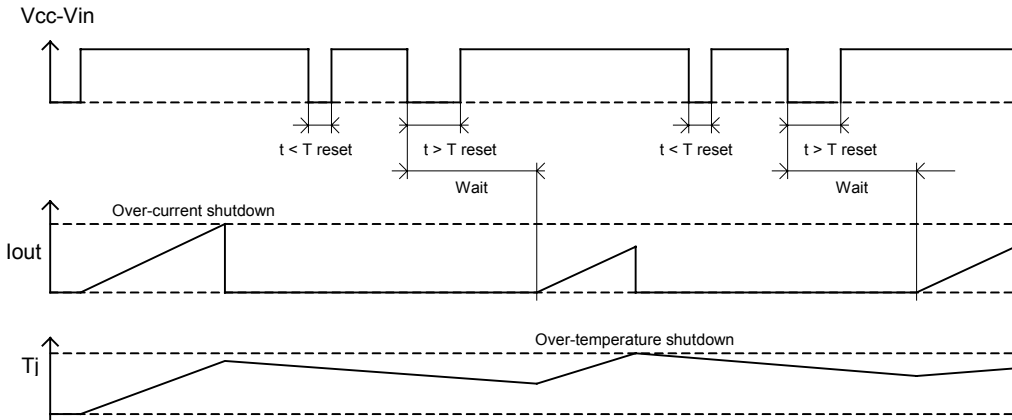
**Figure 2 – Switching time definitions**



**Figure 3 – Active clamp waveforms**

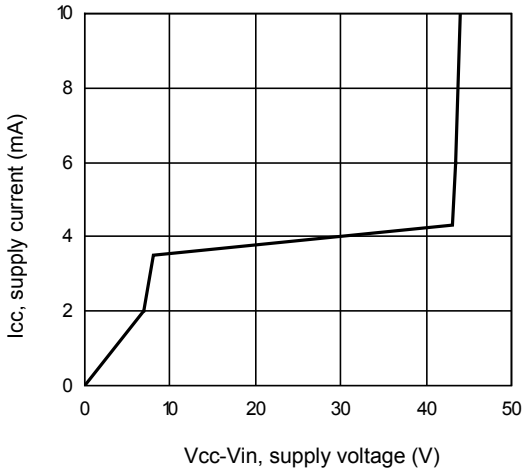


**Figure 4 – Min. pulse and Wait function**

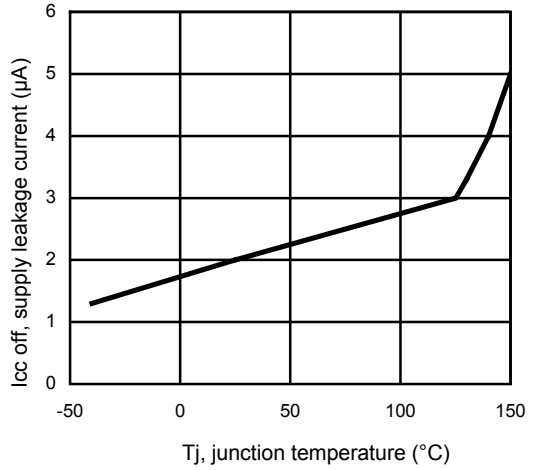


**Figure 5 – Protection Timing Diagrams**

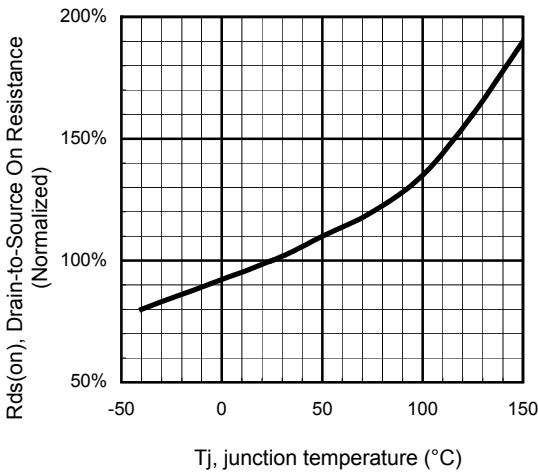
All curves are typical characteristics. Operation in hatched areas is not recommended.  $T_j=25^{\circ}\text{C}$ ,  $R_{\text{th}}=500\text{ohm}$ ,  $V_{\text{cc}}=14\text{V}$  (unless otherwise specified).



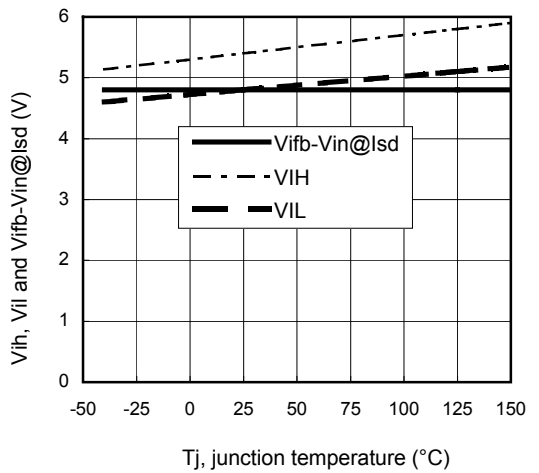
**Figure 6 – Icc (mA) Vs Vcc-Vin (V)**



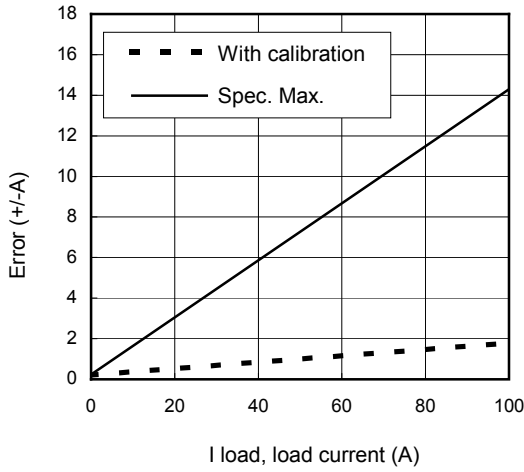
**Figure 7 – Icc off (µA) Vs Tj (°C)**



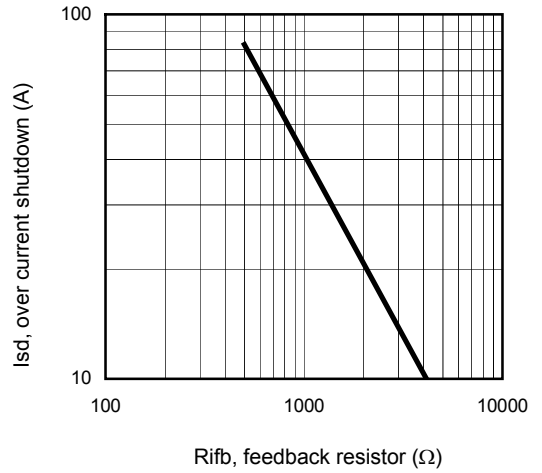
**Figure 8 - Normalized Rds(on) (%) Vs Tj (°C)**



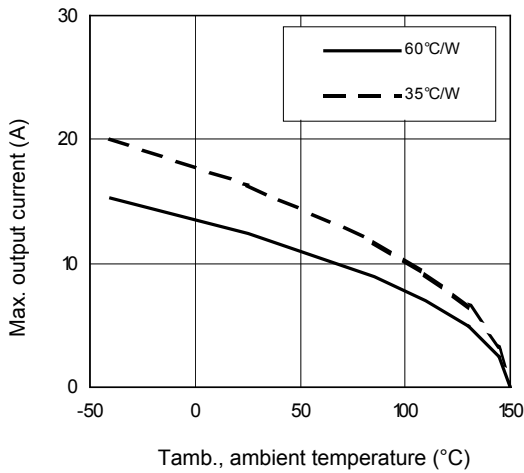
**Figure 9 – Vih, Vil and Vfb-Vin@Isd (V) Vs Tj (°C)**



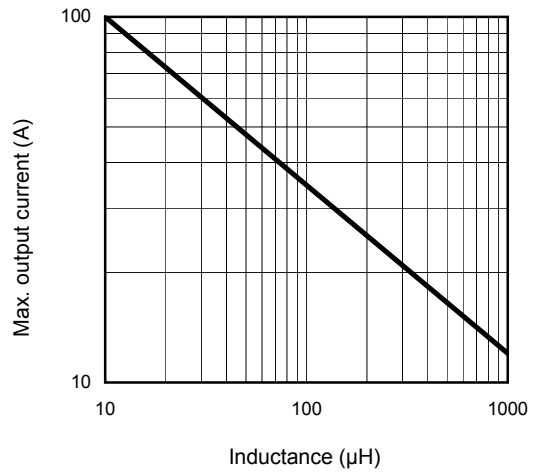
**Figure 10 – Error (+/- A) Vs I load (A)**



**Figure 11 – Ids (A) Vs Rifb (Ω)**

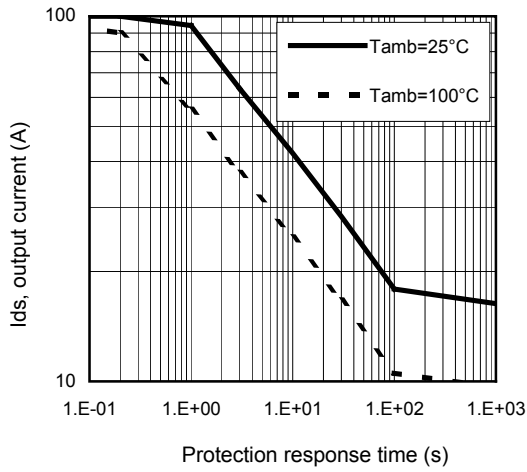


**Figure 12 – Max. iout (A) Vs Tamb. (°C)**

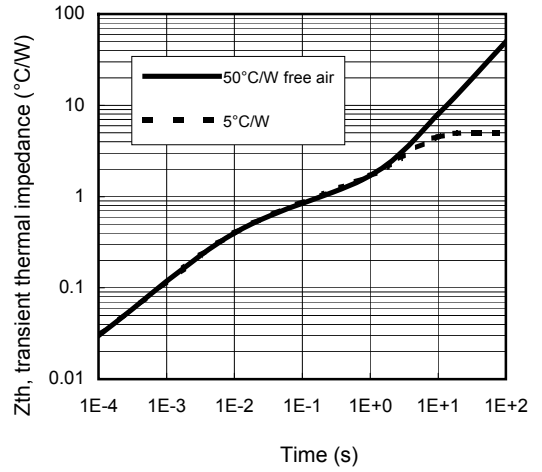


**Figure 13 – Max. iout (A) Vs inductance (μH)**



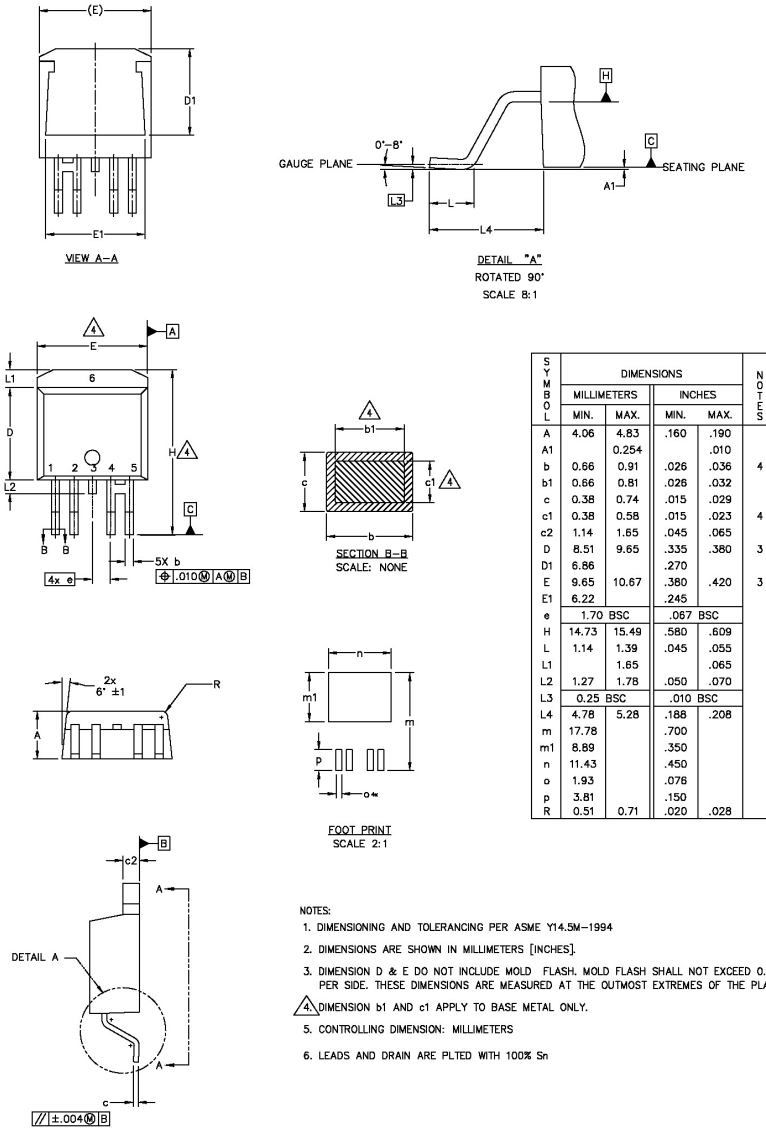


**Figure 14 –  $I_{ds}$  (A) Vs over temperature protection response time (s)/  $R_{th}=60^{\circ}\text{C/W}$**



**Figure 15 – Transient thermal impedance (°C/W) Vs time (s)**

Case Outline 5 Leads - D2PAK – Automotive Q100 PbF MSL1 qualified



**Tape & Reel 5 Lead - D2PAK (SMD220)**

