

IR3M30M/U

3-output DC-DC Converter for small/medium TFT-LCD panels

Under development

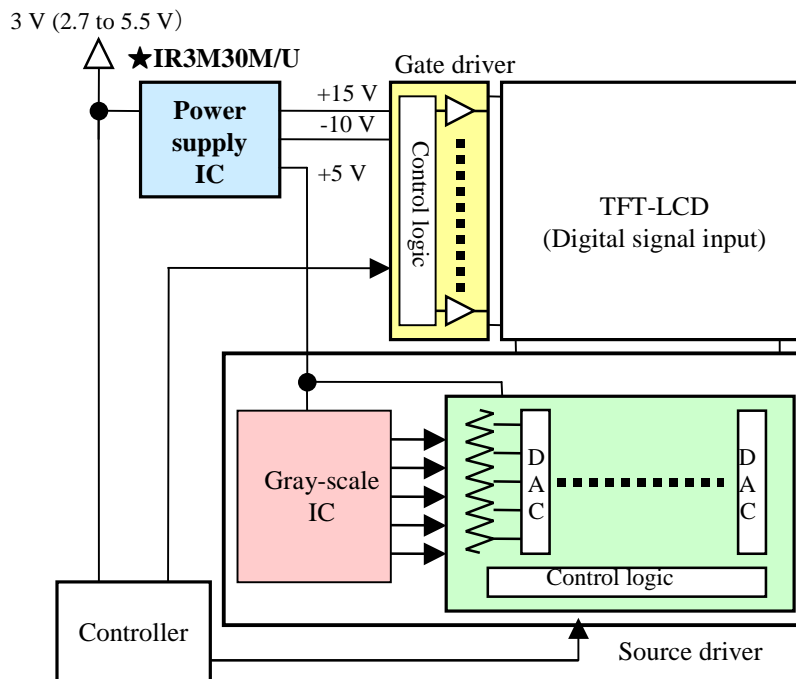
<Outline>

IR3M30M/U are DC-DC converters for small/medium TFT-LCD panels. These models make it possible to create a power supply system with a single chip, by offering three types of output voltages (-10 V, +5 V, +15 V) from a single +3 V operation, unlike a conventional system requiring multiple chips. In addition, the mounting area can be decreased due to its small 32 VQFN package (5 mm x 5 mm).

<Main Specifications>

- PWM switching system
- Step-up type/Step-down type/Inverting type selectable (CH2)
- Built-in switching transistor (CH1/CH2)
- Selectable from output ON/OFF sequence
- Supply voltage: 2.7 to 5.5 V
- Supply current: 3 mA (TYP.)
- Maximum duty: 80% (Step-up circuit)
100% (Step-down circuit)
- Internal oscillation frequency: 70 kHz to 1.0 MHz
- Reference voltage precision: $\pm 1.5\%$
- Operating temperature: -40 to 85°C
- Package: 32QFP(P-QFP032-0707)
32VQFN(P-VQFN032-0505)

<System Configuration Example>



Contact SHARP in order to obtain the latest device specification sheets before using any SHARP device. Manufacturing locations are also subject to change without notice. In the absence of confirmation by device specification sheets, SHARP takes no responsibility for any defects that occur in equipment using any SHARP devices shown in catalogs, data books, etc. The circuit application examples in this publication are provided to explain representative applications of SHARP devices and are not intended to guarantee any circuit design or license any intellectual property right. SHARP takes no responsibility for any problems related to any intellectual property right of a third party resulting from the use of SHARP devices. SHARP reserves the right to make changes in the specifications, characteristics, data, materials, structures and other contents described herein at any time without notice in order to improve design or reliability.