

## N-Channel Power MOSFET (8A, 500Volts)

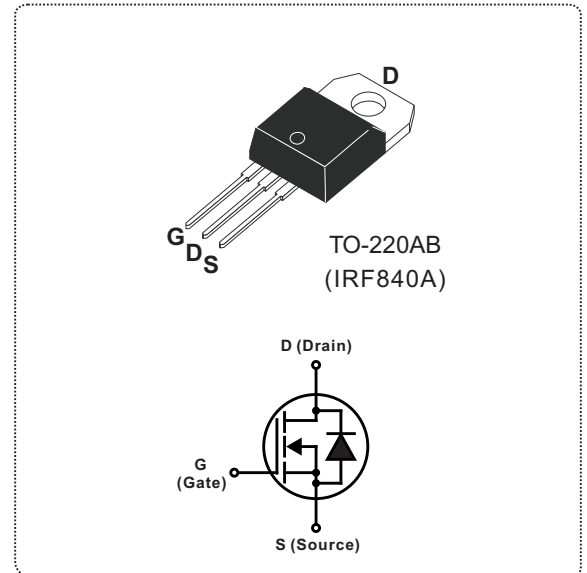
### DESCRIPTION

The Nell **IRF840** are N-Channel enhancement mode silicon gate power field effect transistors. They are designed, tested and guaranteed to withstand a specified level of energy in the breakdown avalanche mode of operation.

They are designed as an extremely efficient and reliable device for use in a wide variety of applications such as switching regulators, convertors, UPS, switching mode power supplies and drivers for high power bipolar switching transistors requiring high speed and low gate drive power. These transistors can be operated directly from integrated circuits.

### FEATURES

- $R_{DS(ON)} = 0.85\Omega @ V_{GS} = 10V$
- Ultra low gate charge(63nC Max.)
- Low reverse transfer capacitance ( $C_{RSS} = 120pF$  typical)
- Fast switching capability
- 100% avalanche energy specified
- Improved dv/dt capability
- 150°C operation temperature



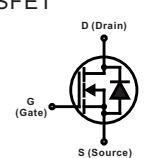
PRODUCT SUMMARY	
$I_D$ (A)	8
$V_{DSS}$ (V)	500
$R_{DS(ON)}$ ( $\Omega$ )	0.85 @ $V_{GS} = 10V$
$Q_G$ (nC) max.	63

ABSOLUTE MAXIMUM RATINGS ( $T_C = 25^\circ C$ unless otherwise specified)				
SYMBOL	PARAMETER	TEST CONDITIONS	VALUE	UNIT
$V_{DSS}$	Drain to Source voltage(Note 1)	$T_J = 25^\circ C$ to $150^\circ C$	500	V
$V_{DGR}$	Drain to Gate voltage	$R_{GS} = 20K\Omega$	500	
$V_{GS}$	Gate to Source voltage		$\pm 20$	
$I_D$	Continuous Drain Current	$V_{GS} = 10V, T_C = 25^\circ C$	8	A
		$V_{GS} = 10V, T_C = 100^\circ C$	5.1	
$I_{DM}$	Pulsed Drain current(Note 1)		32	
$I_{AR}$	Repetitive avalanche current(Note 1)		8	
$E_{AR}$	Repetitive avalanche energy(Note 1)	$I_{AR} = 8A, R_{GS} = 50\Omega, V_{GS} = 10V$	13	mJ
$E_{AS}$	Single pulse avalanche energy(Note 2)	$I_{AS} = 8A, L = 14mH$	510	mJ
dv/dt	Peak diode recovery dv/dt(Note 3)		3.5	V/ns
$P_D$	Total power dissipation	$T_C = 25^\circ C$	125	W
	Derating factor above $25^\circ C$		1	W/ $^\circ C$
$T_J$	Operation junction temperature		-55 to 150	$^\circ C$
$T_{STG}$	Storage temperature		-55 to 150	
$T_L$	Maximum soldering temperature, for 10 seconds	1.6mm from case	300	
	Mounting torque, #6-32 or M3 screw		10 (1.1)	lbf-in (N·m)

Note: 1. Repetitive rating: pulse width limited by junction temperature.  
 2.  $V_{DD} = 50V, L = 14mH, I_{AS} = 8A, R_G = 25\Omega$ , starting  $T_J = 25^\circ C$   
 3.  $I_{SD} \leq 8A, di/dt \leq 100A/\mu s, V_{DD} \leq V_{(BR)DSS}, T_J \leq 150^\circ C$ .

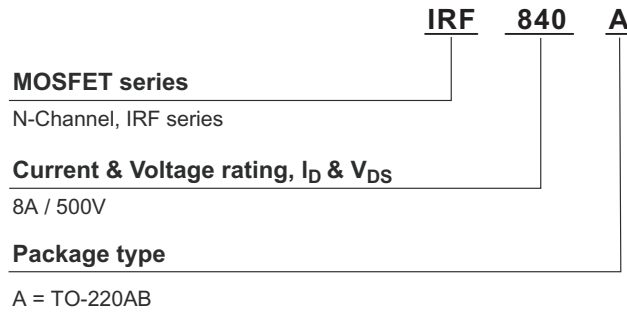
THERMAL RESISTANCE					
SYMBOL	PARAMETER	Min.	Typ.	Max.	UNIT
$R_{th(j-c)}$	Thermal resistance, junction to case			1	°C/W
$R_{th(c-s)}$	Thermal resistance, case to heatsink		0.50		
$R_{th(j-a)}$	Thermal resistance, junction to ambient			62	

ELECTRICAL CHARACTERISTICS ( $T_C = 25^\circ\text{C}$ unless otherwise specified)						
SYMBOL	PARAMETER	TEST CONDITIONS	Min.	Typ.	Max.	UNIT
$V_{(BR)DSS}$	Drain to source breakdown voltage	$I_D = 250\mu\text{A}, V_{GS} = 0\text{V}$	500			V
$\Delta V_{(BR)DSS}/\Delta T_J$	Breakdown voltage temperature coefficient	$I_D = 1\text{mA}$ , referenced to $25^\circ\text{C}$		0.78		V/°C
$I_{DSS}$	Drain to source leakage current	$V_{DS}=500\text{V}, V_{GS}=0\text{V}$ $T_C = 25^\circ\text{C}$			25	$\mu\text{A}$
		$V_{DS}=400\text{V}, V_{GS}=0\text{V}$ $T_J=125^\circ\text{C}$			250	
$I_{GSS}$	Gate to source forward leakage current	$V_{GS} = 20\text{V}, V_{DS} = 0\text{V}$			100	nA
	Gate to source reverse leakage current	$V_{GS} = -20\text{V}, V_{DS} = 0\text{V}$			-100	
$R_{DS(ON)}$	Static drain to source on-state resistance	$V_{GS} = 10\text{V}, I_D = 4.8\text{A}$ (Note 1),			0.85	$\Omega$
$V_{GS(TH)}$	Gate threshold voltage	$V_{GS}=V_{DS}, I_D=250\mu\text{A}$	2		4	V
$g_{fs}$	Forward transconductance	$V_{DS}=50\text{V}, I_D=4.8\text{A}$	4.9			S
$C_{ISS}$	Input capacitance	$V_{DS} = 25\text{V}, V_{GS} = 0\text{V}, f = 1\text{MHz}$		13000		$\mu\text{F}$
$C_{OSS}$	Output capacitance			310		
$C_{RSS}$	Reverse transfer capacitance			120		
$t_{d(ON)}$	Turn-on delay time	$V_{DD} = 250\text{V}, I_D = 8\text{A}, R_D = 31\Omega,$ $V_{GS} = 10\text{V}, R_G = 9.1\Omega$ (Note 1)		14		ns
$t_r$	Rise time			23		
$t_{d(OFF)}$	Turn-off delay time			49		
$t_f$	Fall time			20		
$L_D$	Internal drain inductance	Between lead, 6mm from package and center of die		4.5		nH
$L_S$	internal source inductance			7.5		
$Q_G$	Total gate charge	$V_{DS} = 400\text{V}, V_{GS} = 10\text{V}, I_D = 8\text{A}$			63	nC
$Q_{GS}$	Gate to source charge				9.5	
$Q_{GD}$	Gate to drain charge (Miller charge)				32	

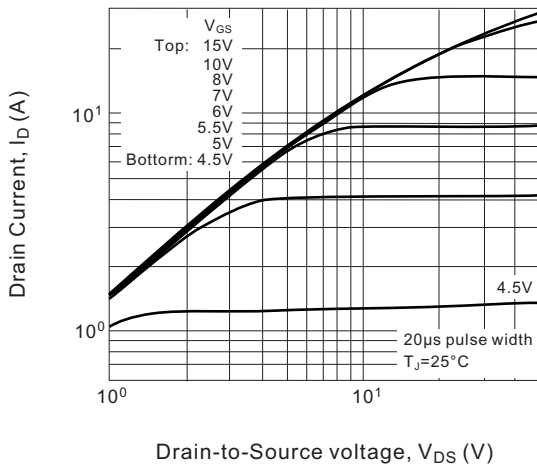
SOURCE TO DRAIN DIODE RATINGS AND CHARACTERISTICS ( $T_C = 25^\circ\text{C}$ unless otherwise specified)						
SYMBOL	PARAMETER	TEST CONDITIONS	Min.	Typ.	Max.	UNIT
$V_{SD}$	Diode forward voltage	$I_{SD} = 8\text{A}, V_{GS} = 0\text{V}$			2	V
$I_S$ ( $I_{SD}$ )	Continuous source to drain current	Integral reverse P-N junction diode in the MOSFET 			8	A
$I_{SM}$	Pulsed source current				32	
$t_{rr}$	Reverse recovery time	$I_S = 8\text{A}, V_{GS} = 0\text{V},$ $di_F/dt = 100\text{A}/\mu\text{s}$		460	970	ns
$Q_{rr}$	Reverse recovery charge			4.2	8.9	$\mu\text{C}$
$t_{ON}$	Forward turn-on time	Intrinsic turn-on time is negligible (turn-on is dominated by $L_S+L_D$ )				

Note: 1. Pulse test: Pulse width  $\leq 300\mu\text{s}$ , duty cycle  $\leq 2\%$ .

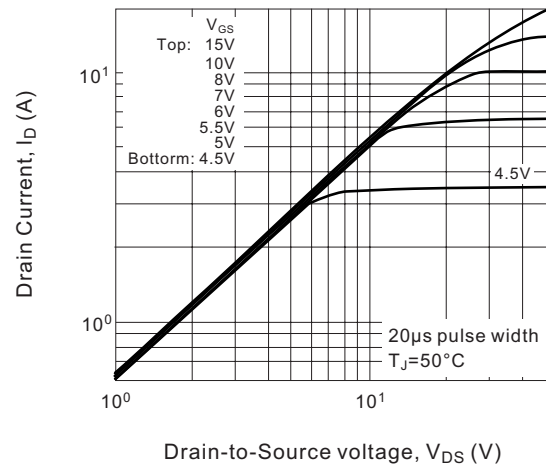
### ORDERING INFORMATION SCHEME



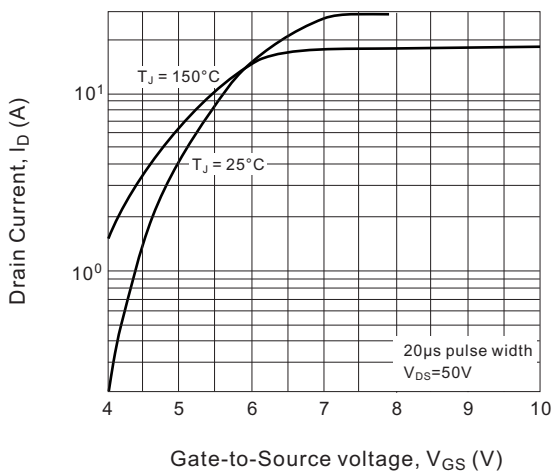
**Fig.1 Typical output characteristics,  $T_C = 25^\circ\text{C}$**



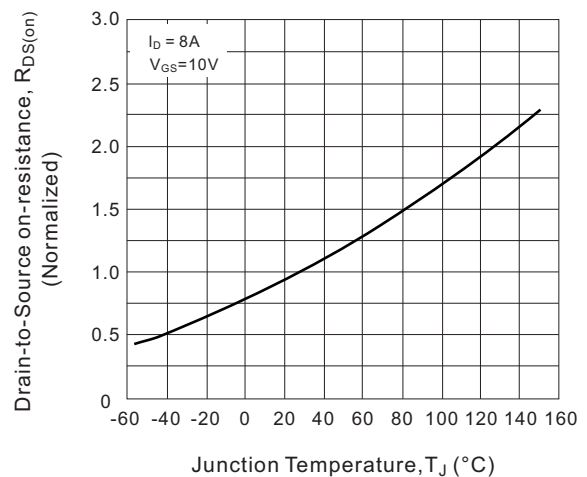
**Fig.2 Typical output characteristics,  $T_C = 150^\circ\text{C}$**



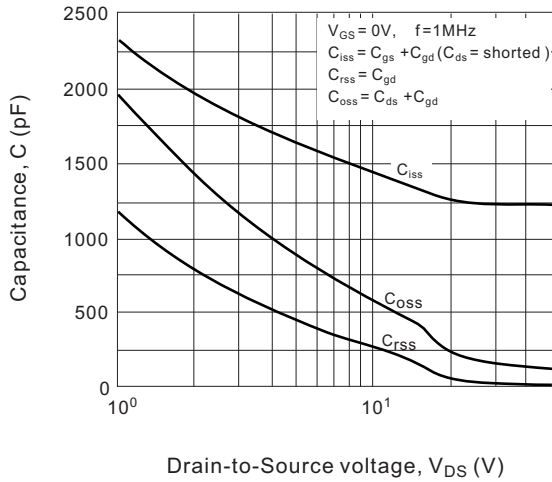
**Fig.3 Typical transfer characteristics**



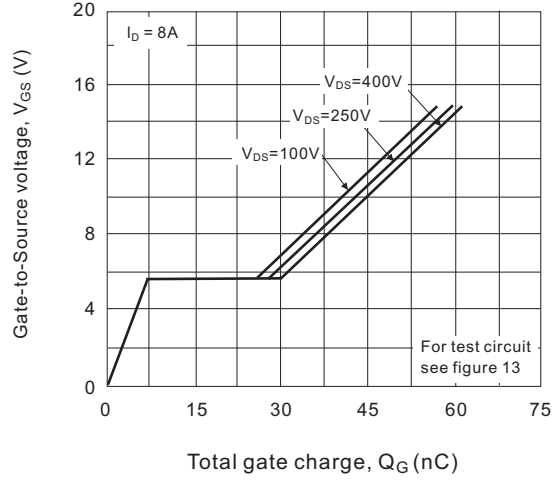
**Fig.4 Normalized On-Resistance vs. Temperature**



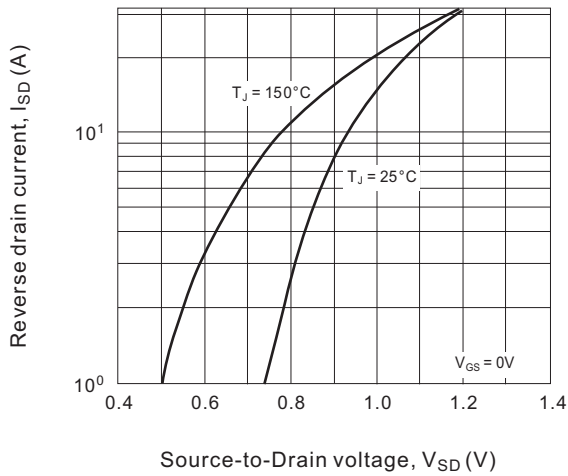
**Fig.5 Typical capacitance vs. Drain-to-Source voltage**



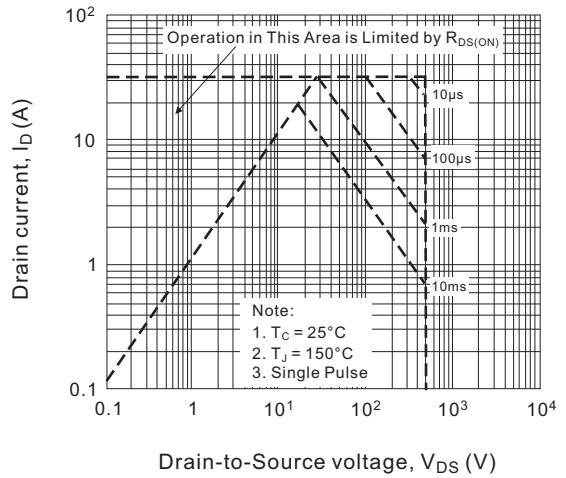
**Fig.6 Typical gate charge vs. Drain-to-Source voltage**



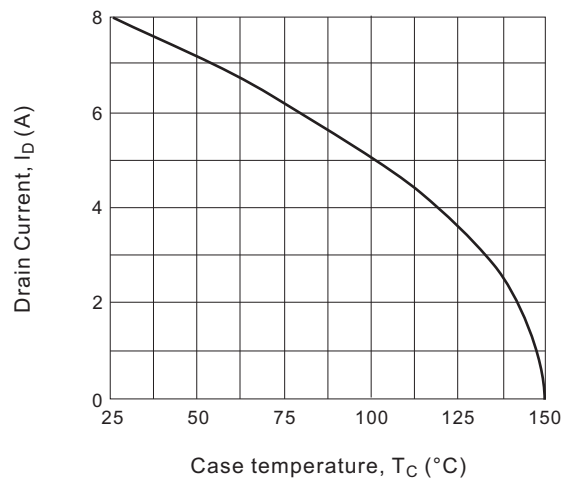
**Fig.7 Typical Source-Drain diode forward voltage**



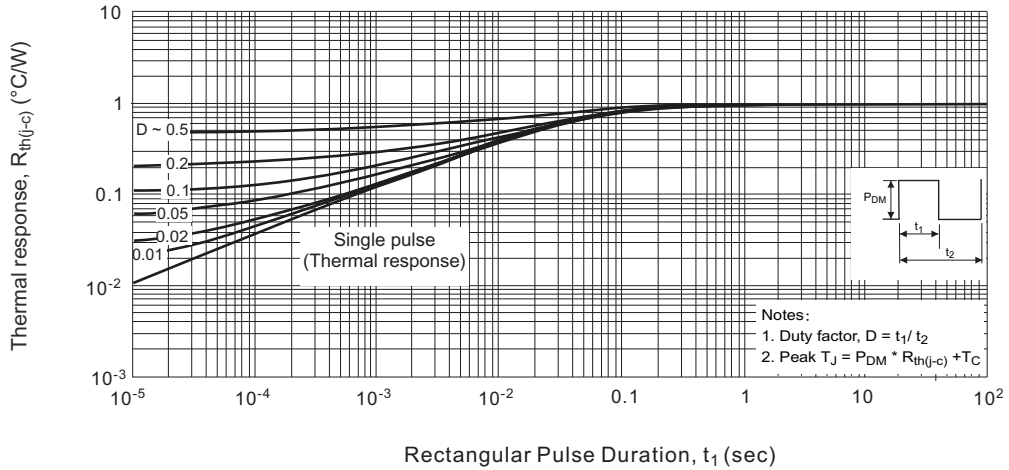
**Fig.8 Maximum safe operating area**



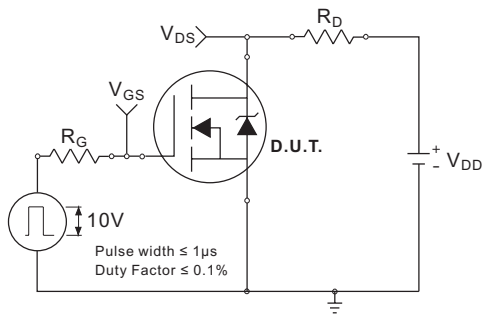
**Fig.9 Maximum drain current vs. Case temperature**



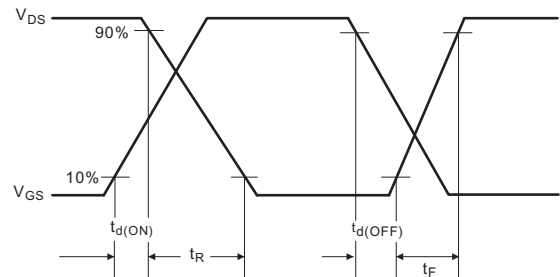
**Fig.10 Maximum effective transient thermal Impedance, Junction-to-Case**



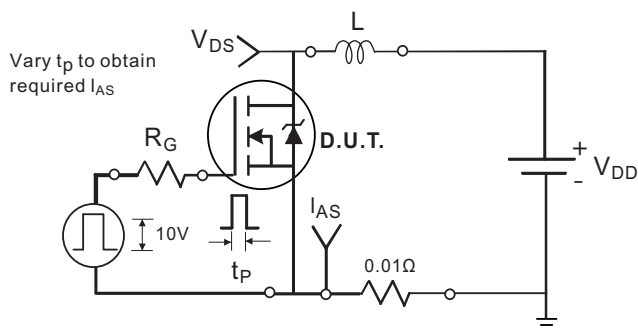
**Fig.11a. Switching time test circuit**



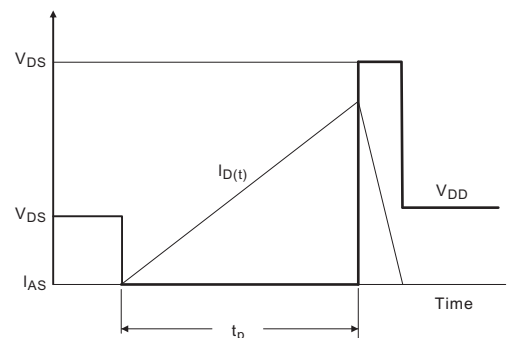
**Fig.11b. Switching time waveforms**



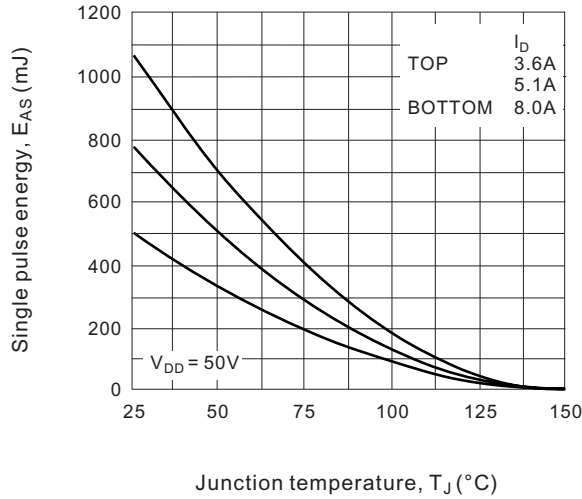
**Fig.12a. Unclamped Inductive test circuit**



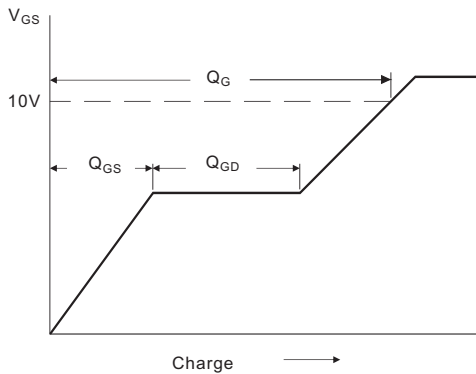
**Fig.12b. Unclamped Inductive waveforms**



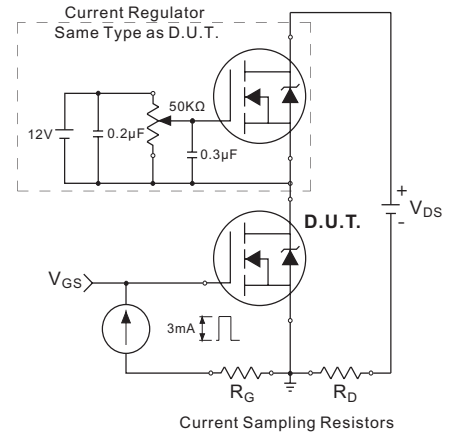
**Fig. 12c. Maximum avalanche energy vs. Drain current**



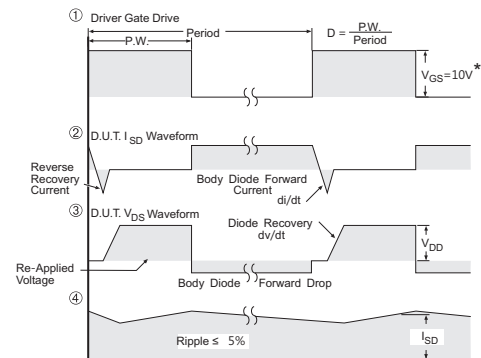
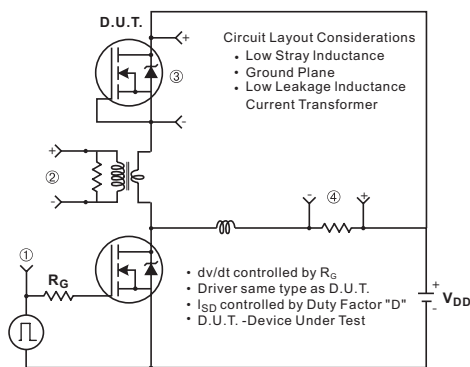
**Fig. 13a. Basic gate charge waveform**



**Fig. 13b. Gate charge test circuit**

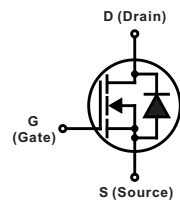
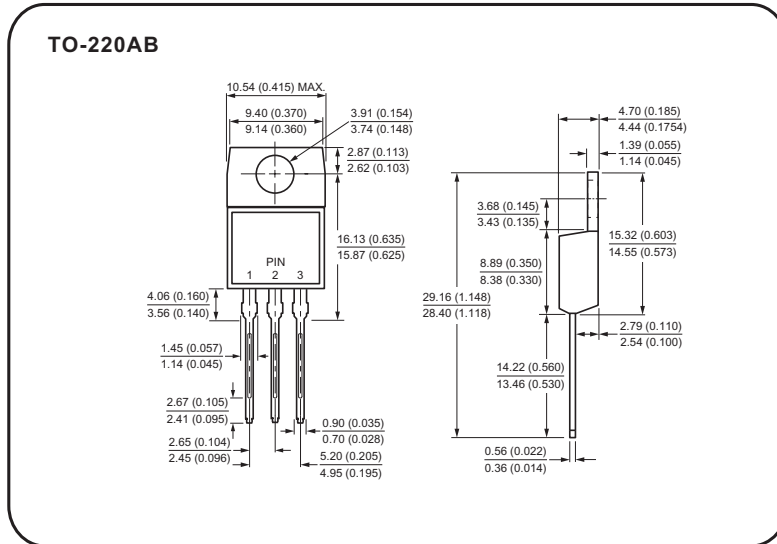


**Fig. 14 Peak diode recovery dv/dt test circuit for N-Channel MOSFET**



\* $V_{GS} = 5V$  for Logic Level Devices

## Case Style



All dimensions in millimeters(inches)