



# POWER-MOS FET

## FIELD EFFECT POWER TRANSISTOR

**IRFD120,121**  
**D82CL2,K2**

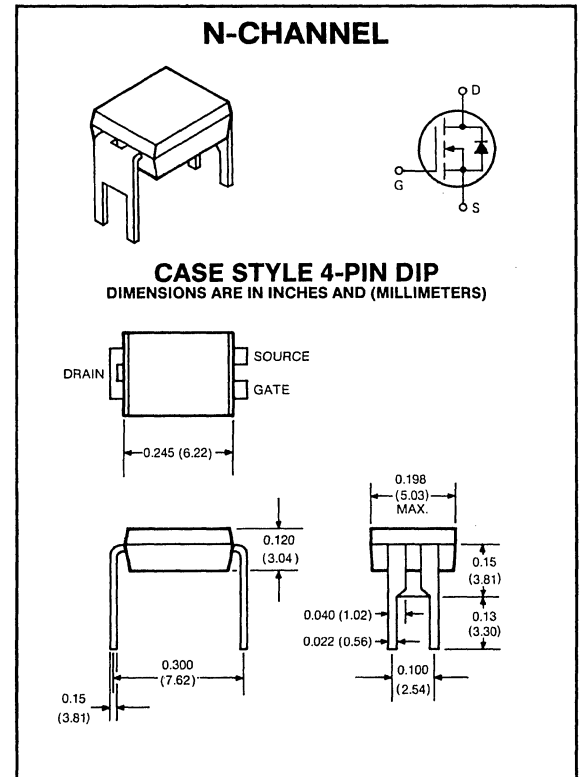
1.3 AMPERES  
100, 60 VOLTS  
 $R_{DS(ON)} = 0.3 \Omega$

This series of N-Channel Enhancement-mode Power MOSFETs utilizes GE's advanced Power DMOS technology to achieve low on-resistance with excellent device ruggedness and reliability.

This design has been optimized to give superior performance in most switching applications including: switching power supplies, inverters, converters and solenoid/relay drivers. Also, the extended safe operating area with good linear transfer characteristics makes it well suited for many linear applications such as audio amplifiers and servo motors.

### Features

- Polysilicon gate — Improved stability and reliability
- No secondary breakdown — Excellent ruggedness
- Ultra-fast switching — Independent of temperature
- Voltage controlled — High transconductance
- Low input capacitance — Reduced drive requirement
- Excellent thermal stability — Ease of paralleling



maximum ratings ( $T_A = 25^\circ\text{C}$ ) (unless otherwise specified)

RATING	SYMBOL	IRFD120/D82CL2	IRFD121/D82CK2	UNITS
Drain-Source Voltage	$V_{DSS}$	100	60	Volts
Drain-Gate Voltage, $R_{GS} = 1M\Omega$	$V_{DGR}$	100	60	Volts
Continuous Drain Current @ $T_A = 25^\circ\text{C}^{(1)}$ @ $T_A = 100^\circ\text{C}^{(1)}$	$I_D$	1.3 0.85	1.3 0.85	A A
Pulsed Drain Current <sup>(2)</sup>	$I_{DM}$	5.2	5.2	A
Gate-Source Voltage	$V_{GS}$	$\pm 20$	$\pm 20$	Volts
Total Power Dissipation @ $T_A = 25^\circ\text{C}$ Derate Above $25^\circ\text{C}$	$P_D$	1.0 8	1.0 8	Watts mW/ $^\circ\text{C}$
Operating and Storage Junction Temperature Range	$T_J, T_{STG}$	-55 to 150	-55 to 150	$^\circ\text{C}$

### thermal characteristics

Thermal Resistance, Junction to Ambient <sup>(1)</sup>	$R_{\theta JA}$	125	125	$^\circ\text{C/W}$
Maximum Lead Temperature for Soldering Purposes: $\frac{1}{8}$ " from Case for 5 Seconds	$T_L$	300	300	$^\circ\text{C}$

(1) Device mounted to vertical pc board in free air with drain lead soldered to 0.20 in<sup>2</sup> minimum copper run area.

(2) Repetitive Rating: Pulse width limited by max. junction temperature.

electrical characteristics ( $T_A = 25^\circ\text{C}$ ) (unless otherwise specified)

CHARACTERISTIC	SYMBOL	MIN	TYP	MAX	UNIT
----------------	--------	-----	-----	-----	------

off characteristics

Drain-Source Breakdown Voltage ( $V_{GS} = 0V, I_D = 250\ \mu\text{A}$ )	IRFD120/D82CL2 IRFD121/D82CK2	$BV_{DSS}$	100 60	— —	— —	Volts
Zero Gate Voltage Drain Current ( $V_{DS} = \text{Max Rating}, V_{GS} = 0V, T_A = 25^\circ\text{C}$ ) ( $V_{DS} = \text{Max Rating}, \times 0.8, V_{GS} = 0V, T_A = 125^\circ\text{C}$ )		$I_{DSS}$	— —	— —	250 1000	$\mu\text{A}$
Gate-Source Leakage Current ( $V_{GS} = \pm 20V$ )		$I_{GSS}$	—	—	$\pm 500$	nA

on characteristics\*

Gate Threshold Voltage ( $V_{DS} = V_{GS}, I_D = 250\ \mu\text{A}$ )	$T_A = 25^\circ\text{C}$	$V_{GS(TH)}$	2.0	—	4.0	Volts
On-State Drain Current ( $V_{GS} = 10V, V_{DS} = 10V$ )		$I_{D(ON)}$	1.3	—	—	A
Static Drain-Source On-State Resistance ( $V_{GS} = 10V, I_D = 0.6A$ )		$R_{DS(ON)}$	—	0.22	0.30	Ohms
Forward Transconductance ( $V_{DS} = 10V, I_D = 0.6A$ )		$g_{fs}$	.63	1.0	—	mhos

dynamic characteristics

Input Capacitance	$V_{GS} = 0V$	$C_{iss}$	—	410	600	pF
Output Capacitance	$V_{DS} = 25V$	$C_{oss}$	—	160	400	pF
Reverse Transfer Capacitance	$f = 1\ \text{MHz}$	$C_{rss}$	—	40	100	pF

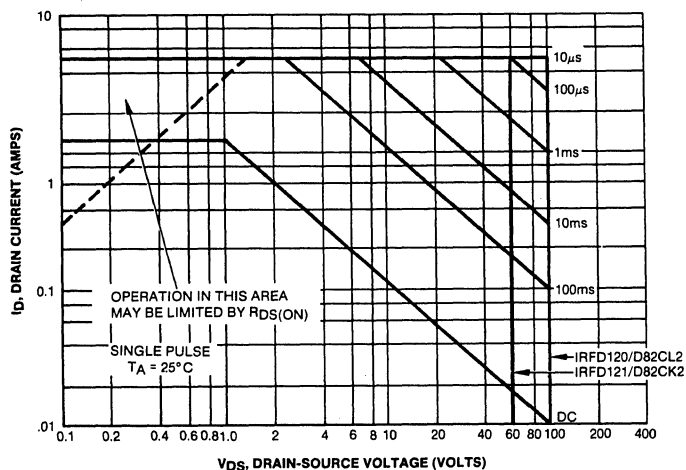
switching characteristics\*

Turn-on Delay Time	$V_{DS} = 30V$	$t_{d(on)}$	—	15	—	ns
Rise Time	$I_D = 0.6A, V_{GS} = 15V$	$t_r$	—	30	—	ns
Turn-off Delay Time	$R_{GEN} = 50\ \Omega, R_{GS} = 12.5\ \Omega$	$t_{d(off)}$	—	25	—	ns
Fall Time	( $R_{GS}\ \text{EQUIV.} = 10\ \Omega$ )	$t_f$	—	10	—	ns

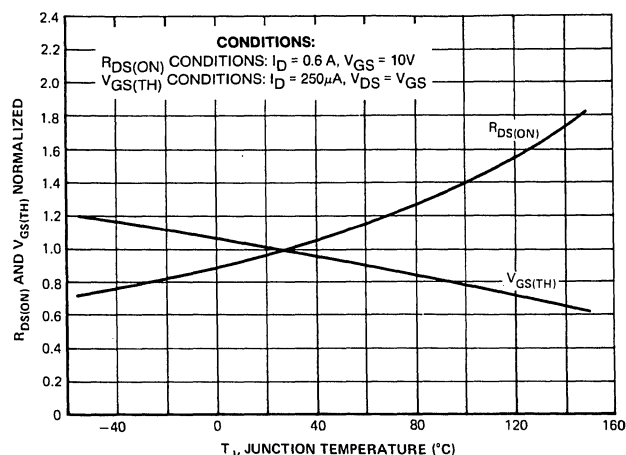
source-drain diode ratings and characteristics\*

Continuous Source Current		$I_S$	—	—	1.3	A
Pulsed Source Current		$I_{SM}$	—	—	5.2	A
Diode Forward Voltage ( $T_A = 25^\circ\text{C}, V_{GS} = 0V$ )	$I_S = 1.3A$	$V_{SD}$	—	0.8	2.5	Volts
Reverse Recovery Time ( $I_S = 1.3A, di_s/dt = 100A/\mu\text{s}, T_A = 125^\circ\text{C}$ )		$t_{rr}$ $Q_{RR}$	— —	75 0.7	— —	ns $\mu\text{C}$

\*Pulse Test: Pulse width  $\leq 300\ \mu\text{s}$ , duty cycle  $\leq 2\%$



MAXIMUM SAFE OPERATING AREA



TYPICAL NORMALIZED  $R_{DS(ON)}$  AND  $V_{GS(TH)}$  VS. TEMP.